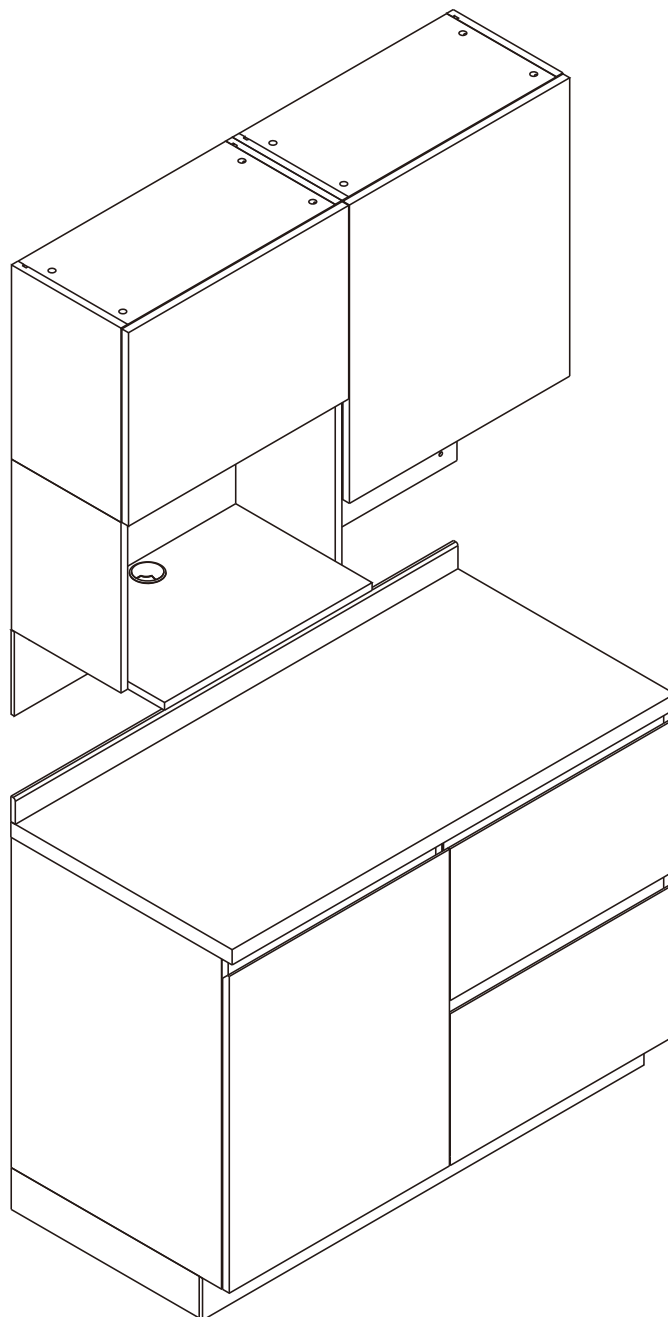


LUX-KIT

LUX-KIT 1.2 M.



CONNECT SYSTEM

1

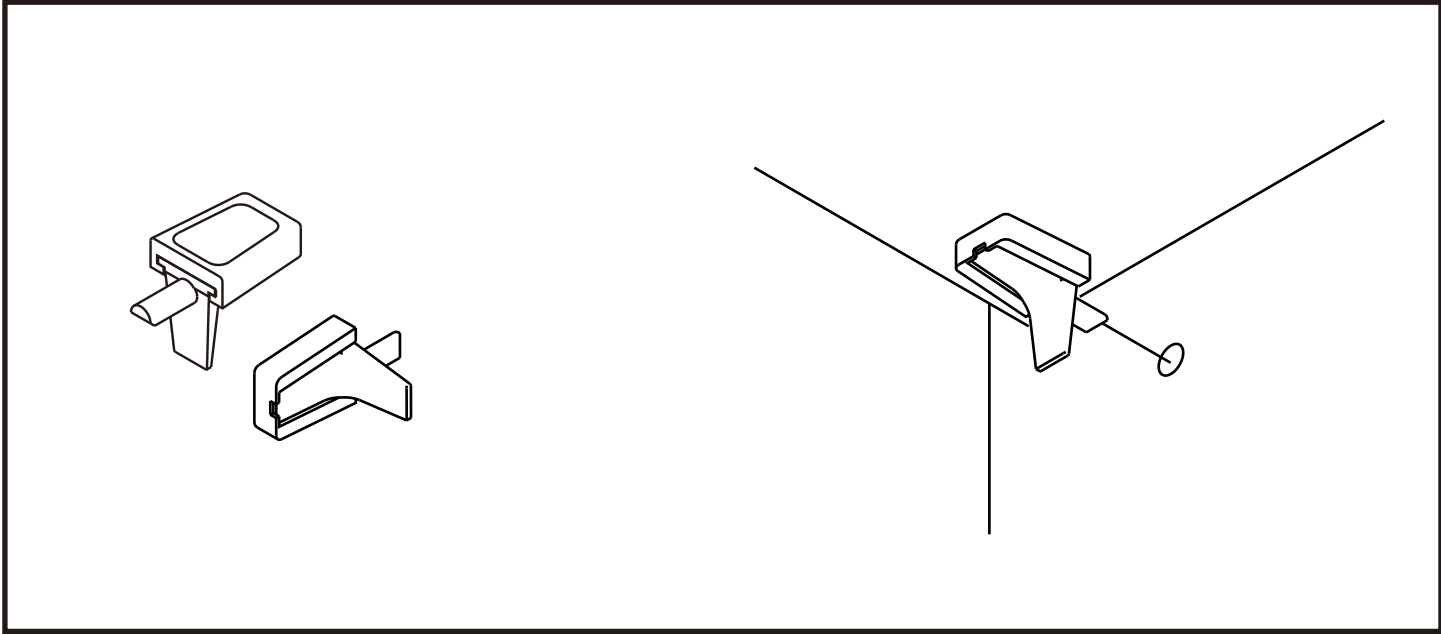
3

WHEN FITTING CAMS
ENSURE STARTING POSITION IS CORRECT
BEFORE YOU INSERT CONNECTING BOLT
TURN CLOCKWISE UNTIL SECURE

✓				✗
↑	CORRECT	WRONG	WRONG	

2

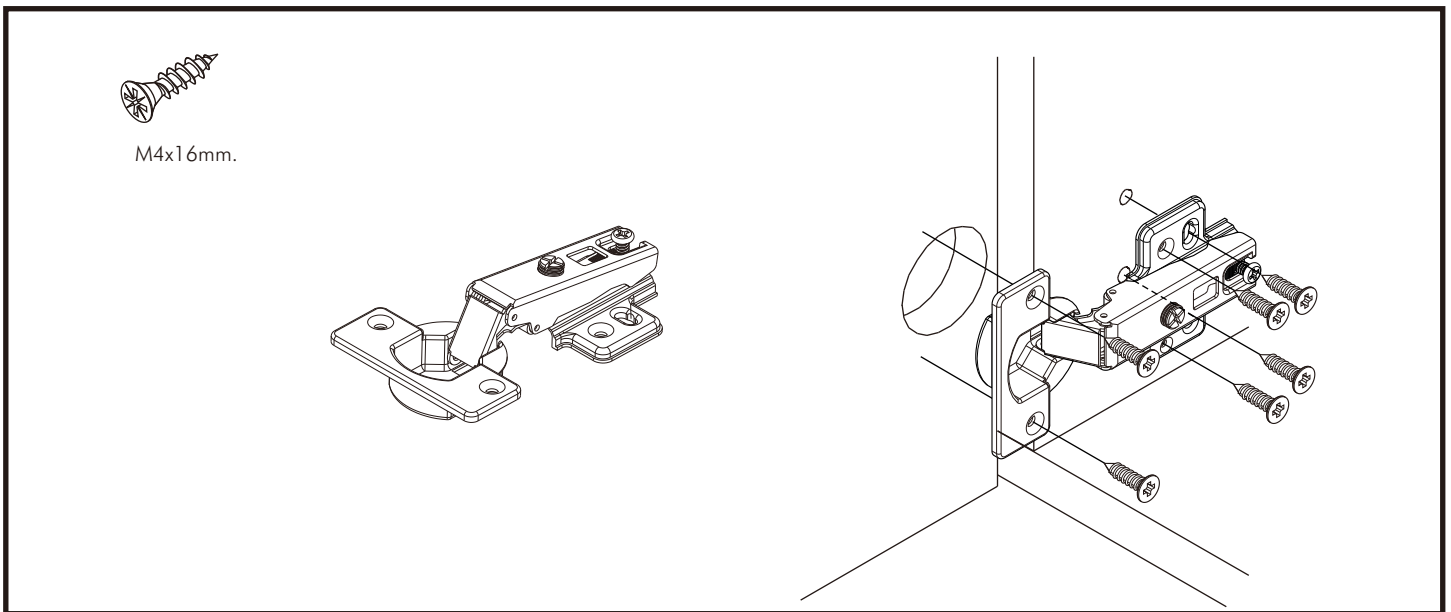
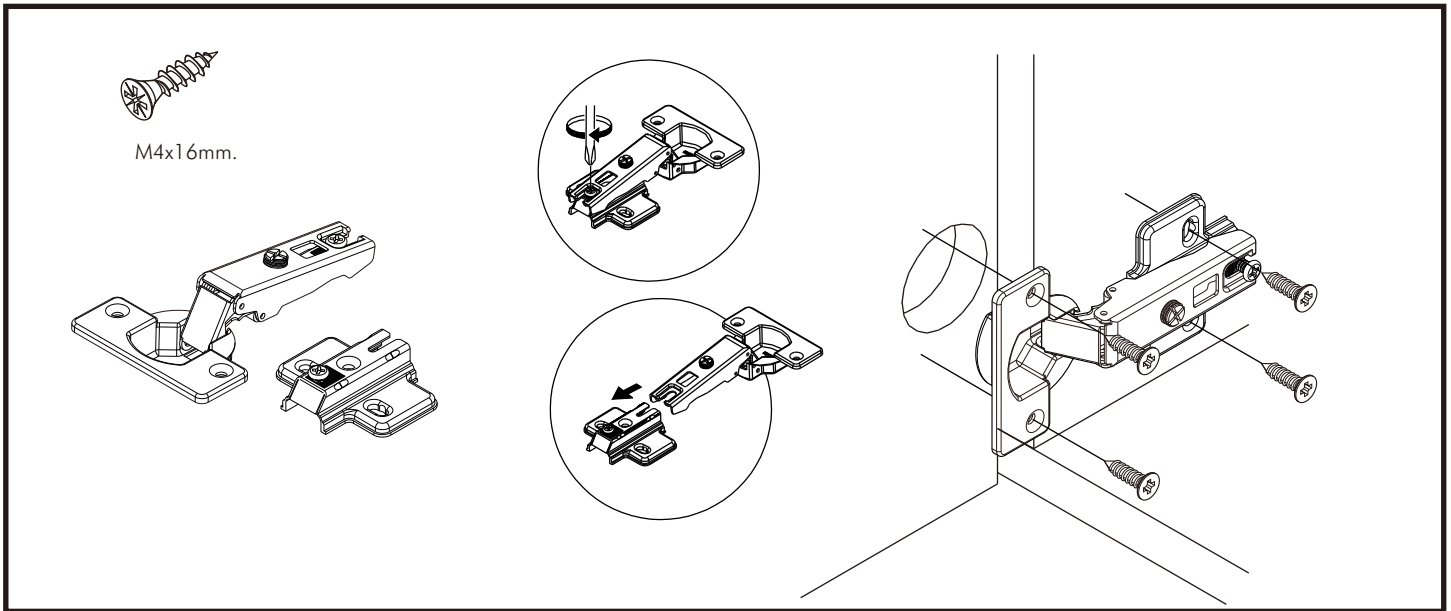
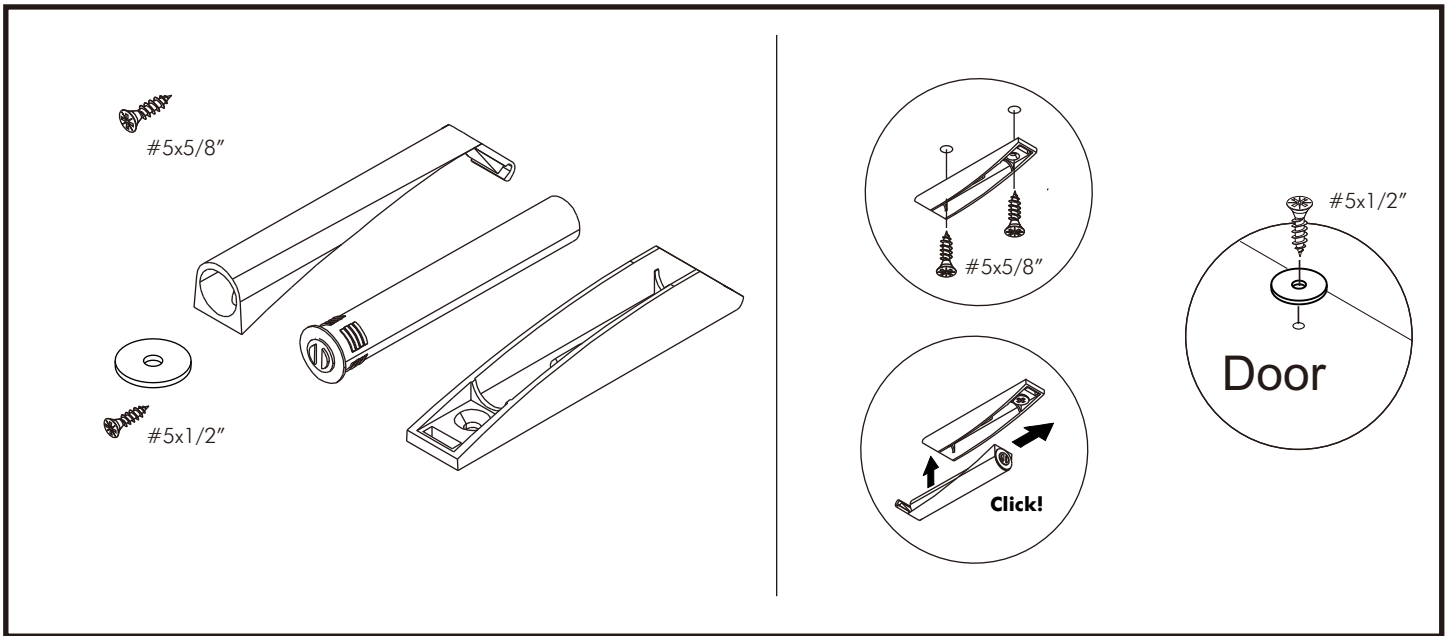
(Connecting bolts)



M4x13mm.

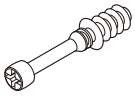
1

2



HARDWARE

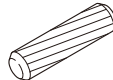
-BODY SET



x 32



x 32



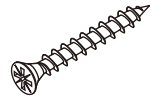
8x35mm.

x 36



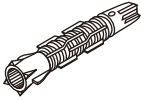
M3.5x13mm.

x 16



M4x30mm.

x 16



x 18



x 2



x 8

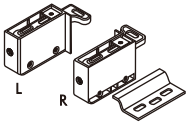


x 3

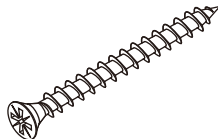


Ø11mm.

x 10



x 3/3/6



M5x50mm.

x 18



x 1

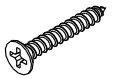


x 8



M4x25mm.

x 2



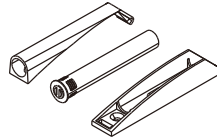
M4x20mm.

x 4



M4x16mm.

x 98



x 2

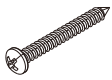


x 2



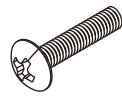
#5x5/8"

x 4



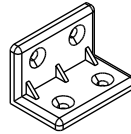
M4x25mm.

x 2



M4x10mm.

x 3

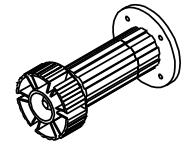


x 18



#5x1/2"

x 2



x 8



x 4



M3.5x25mm.

x 4



x 8



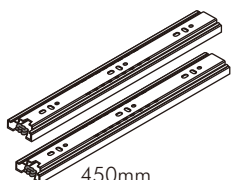
6x3/8"

x 8



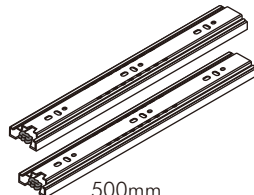
x 4

-DRAWER SET



450mm.

x 1



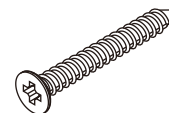
500mm.

x 2



M4x13mm.

x 36



M4x40mm.

x 30



TFL4 M6x30

x 8



M4x16mm.(BLACK)

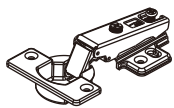
x 6



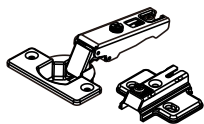
#M4

x 1

-DOOR SET



x 2



x 4



M4x16mm.

x 28



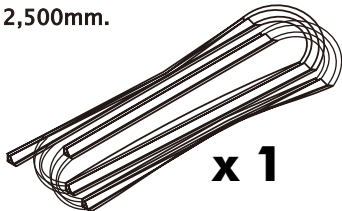
M4x16mm.(BLACK)

x 3

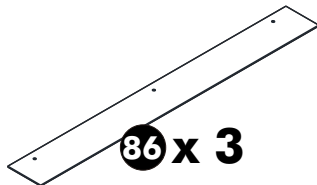


x 2

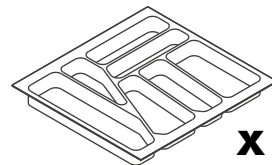
2,500mm.



x 1



86 x 3

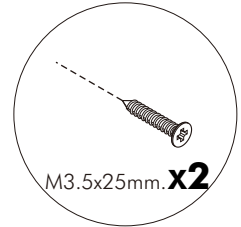
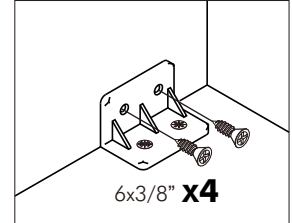
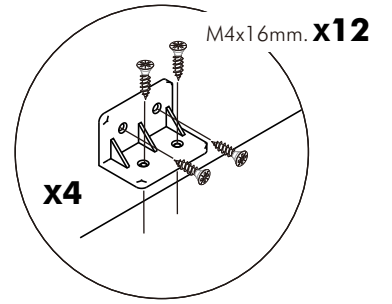
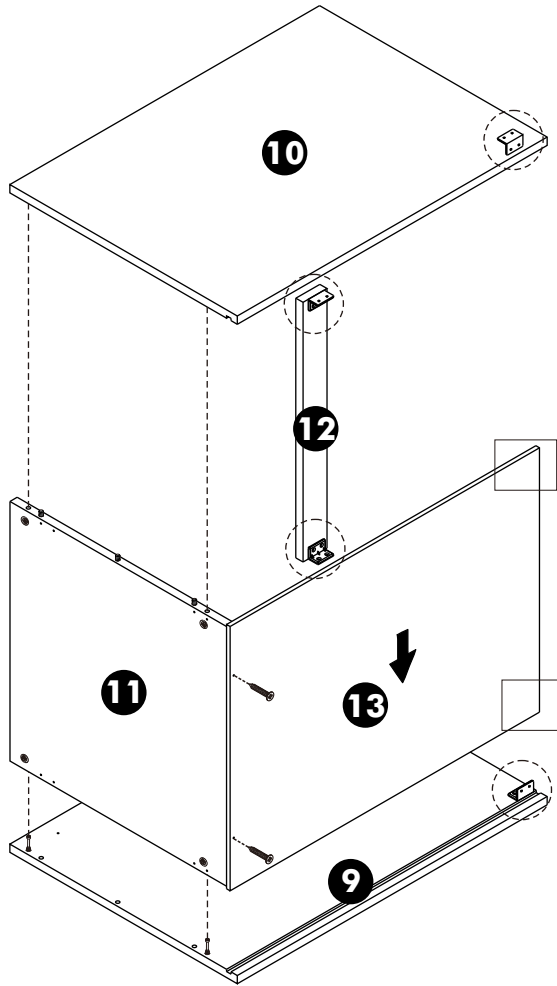
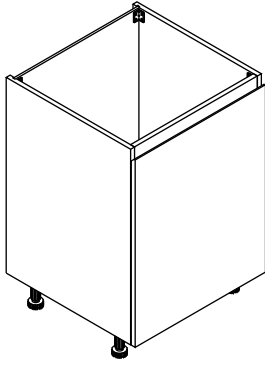


x 1

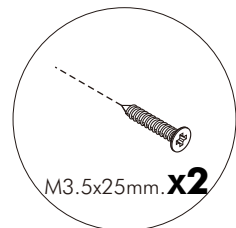
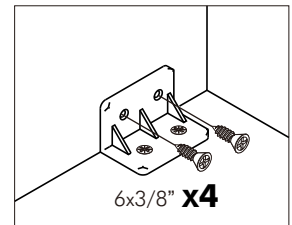
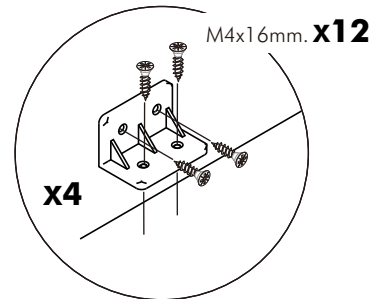
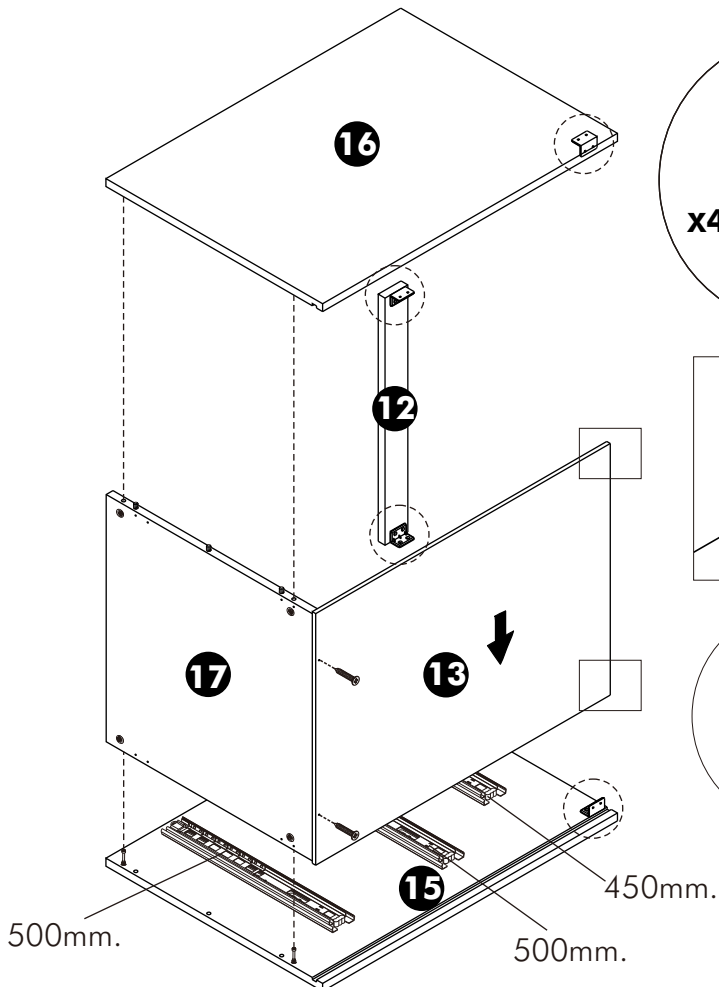
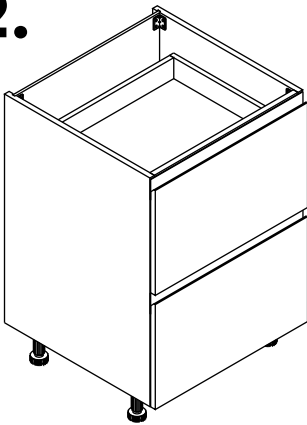
ASSEMBLY

-BODY SET

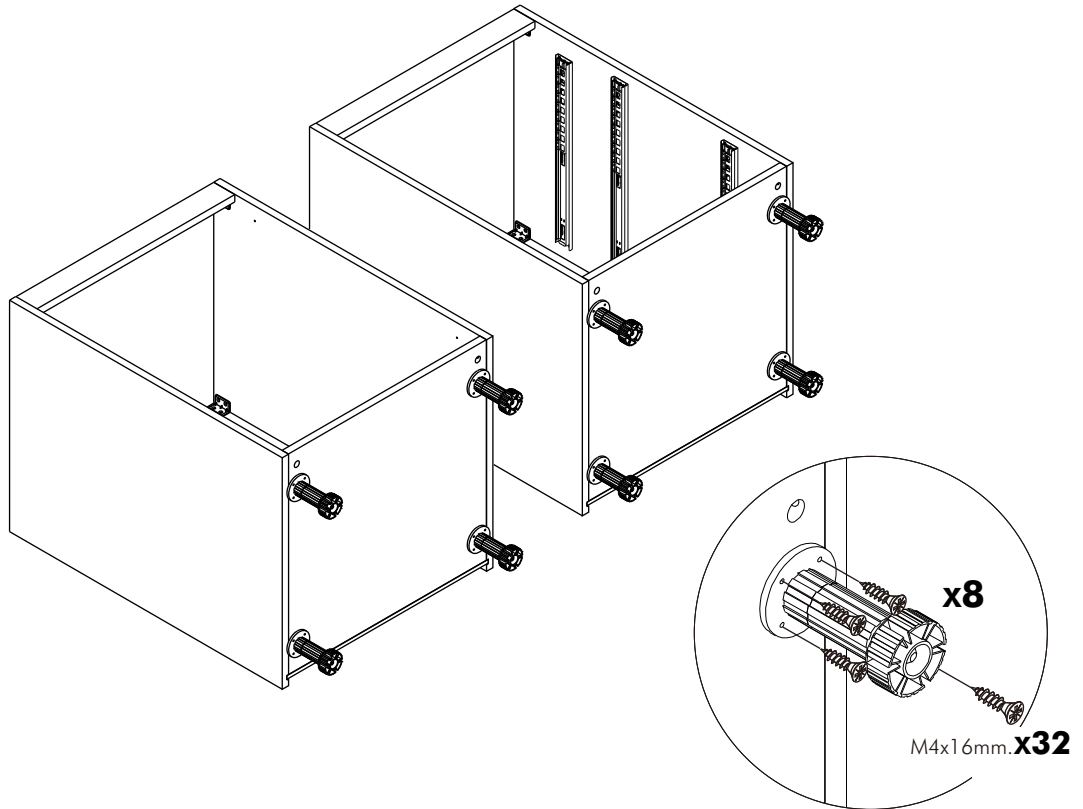
1.



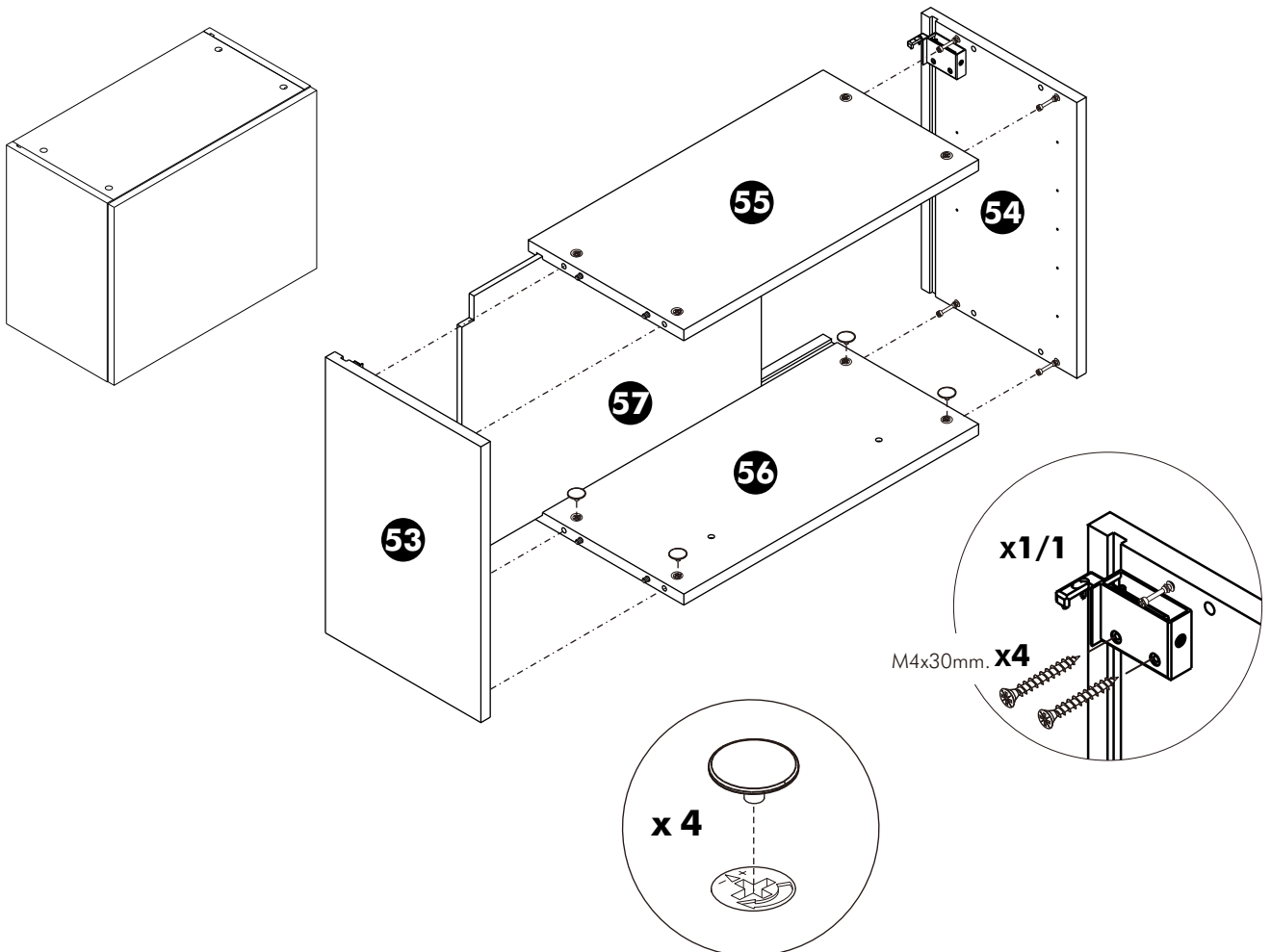
2.



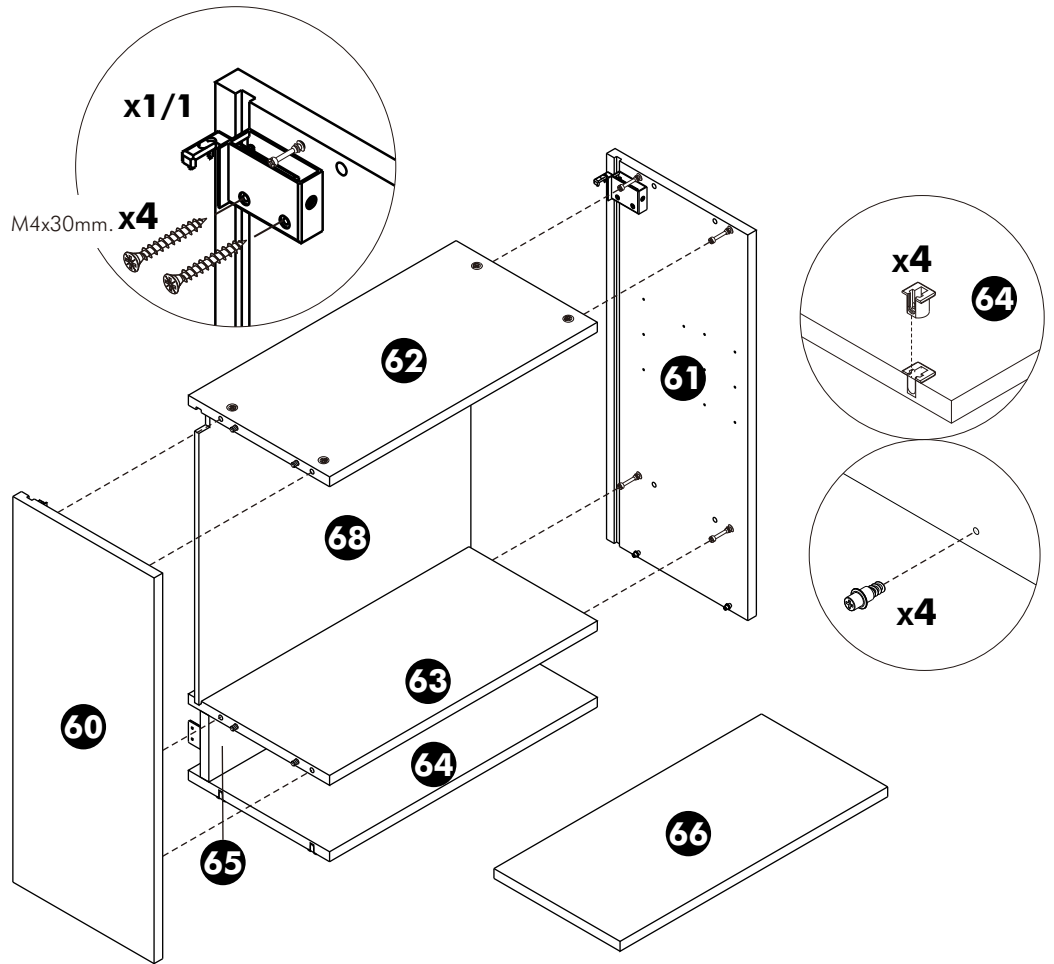
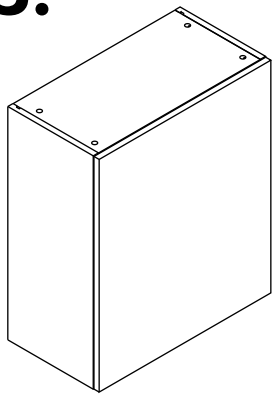
3.



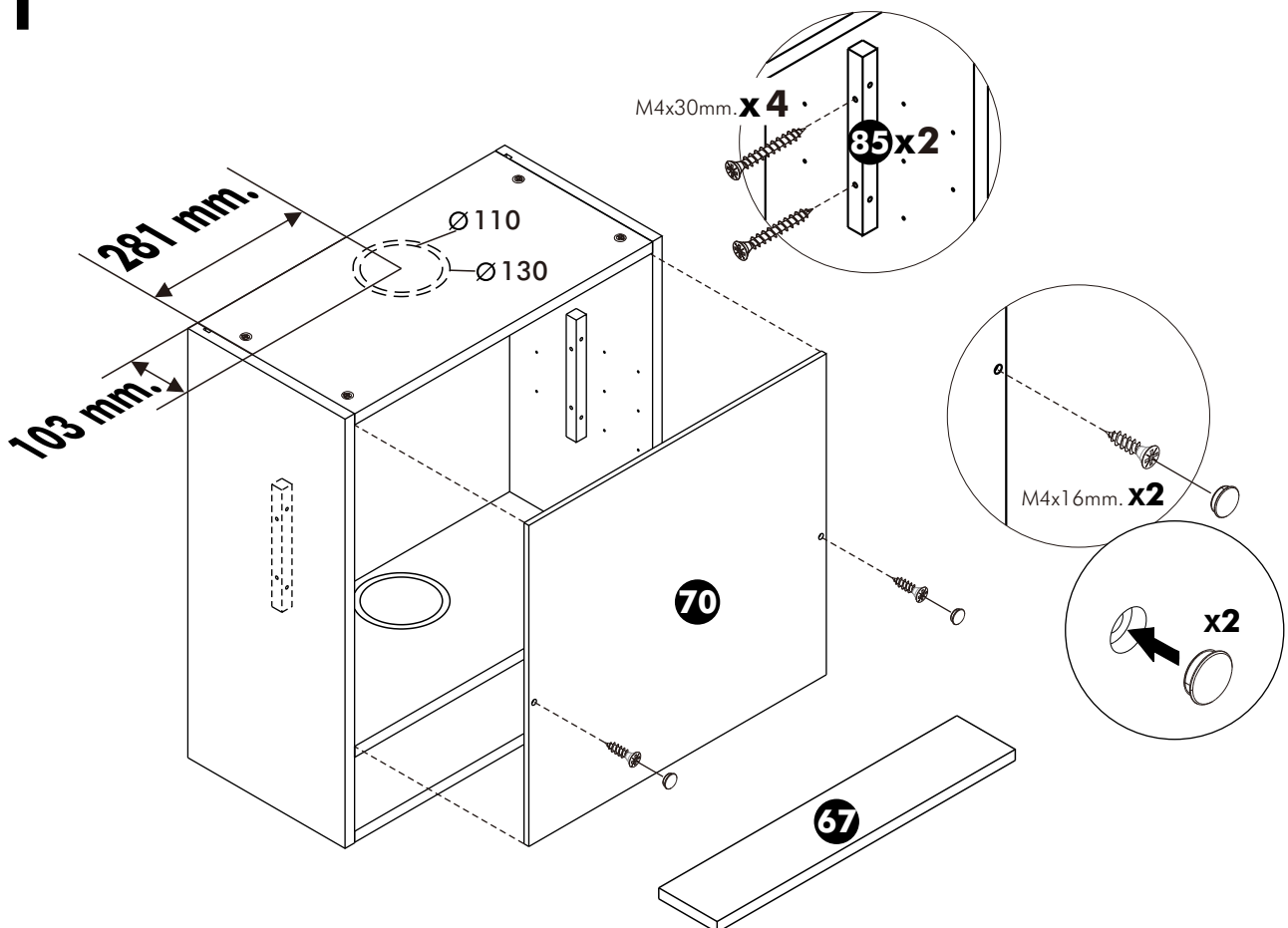
4.



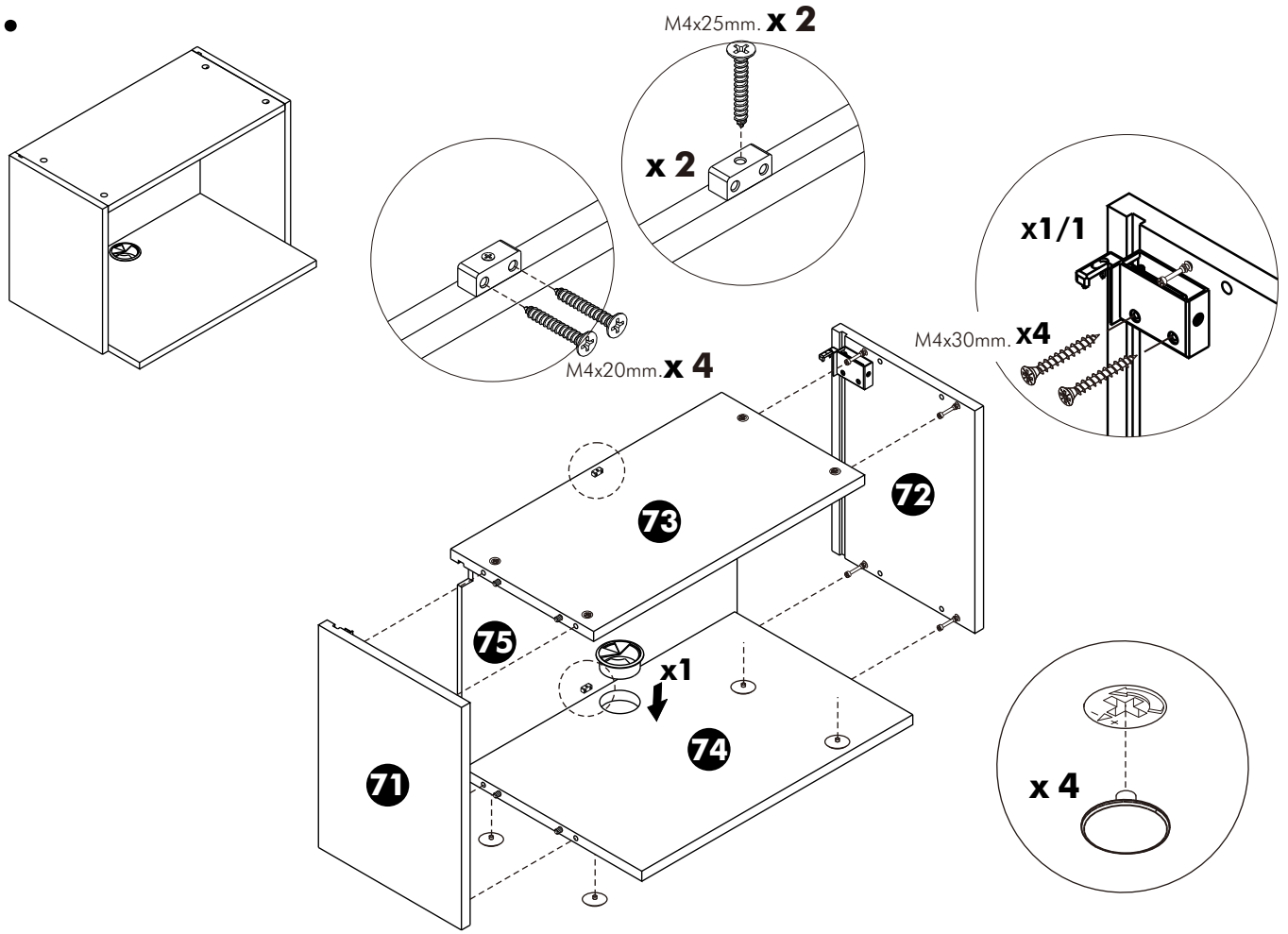
5.



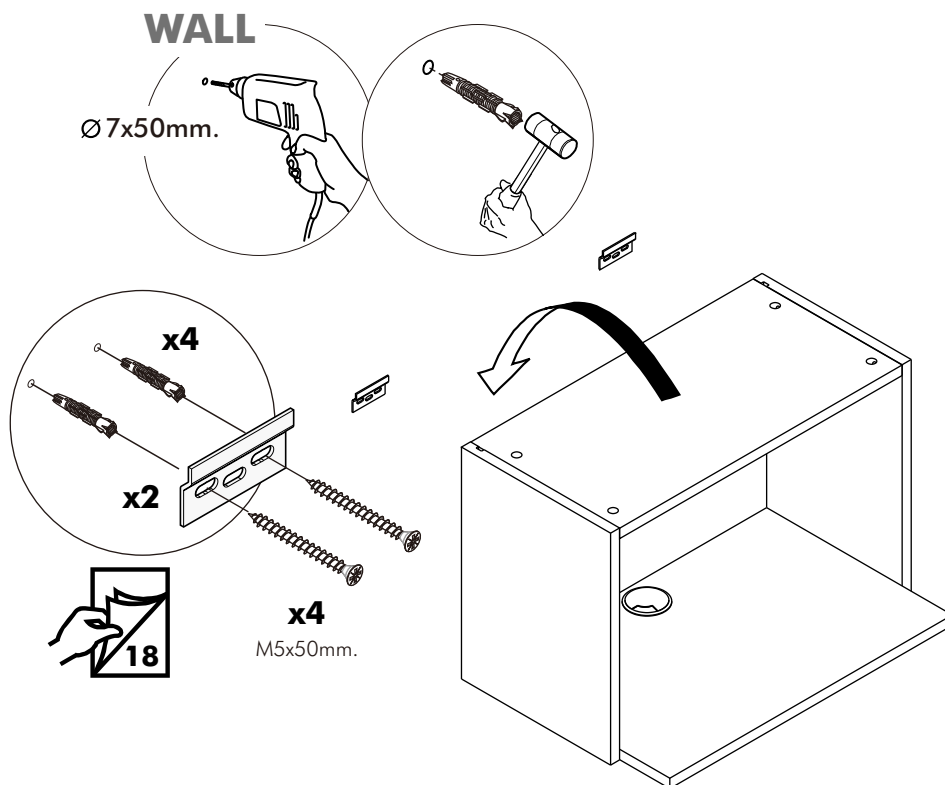
5.1



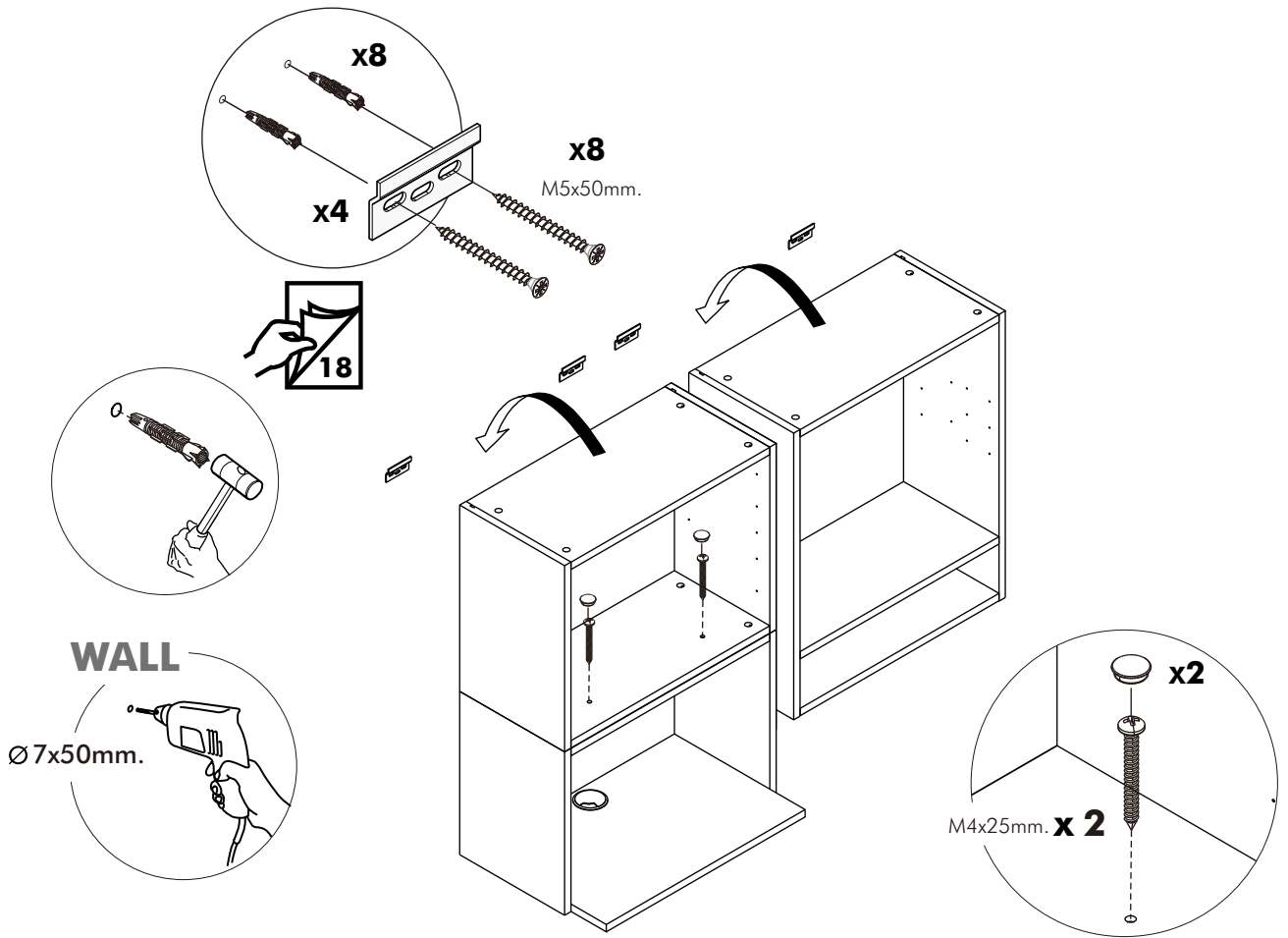
6.



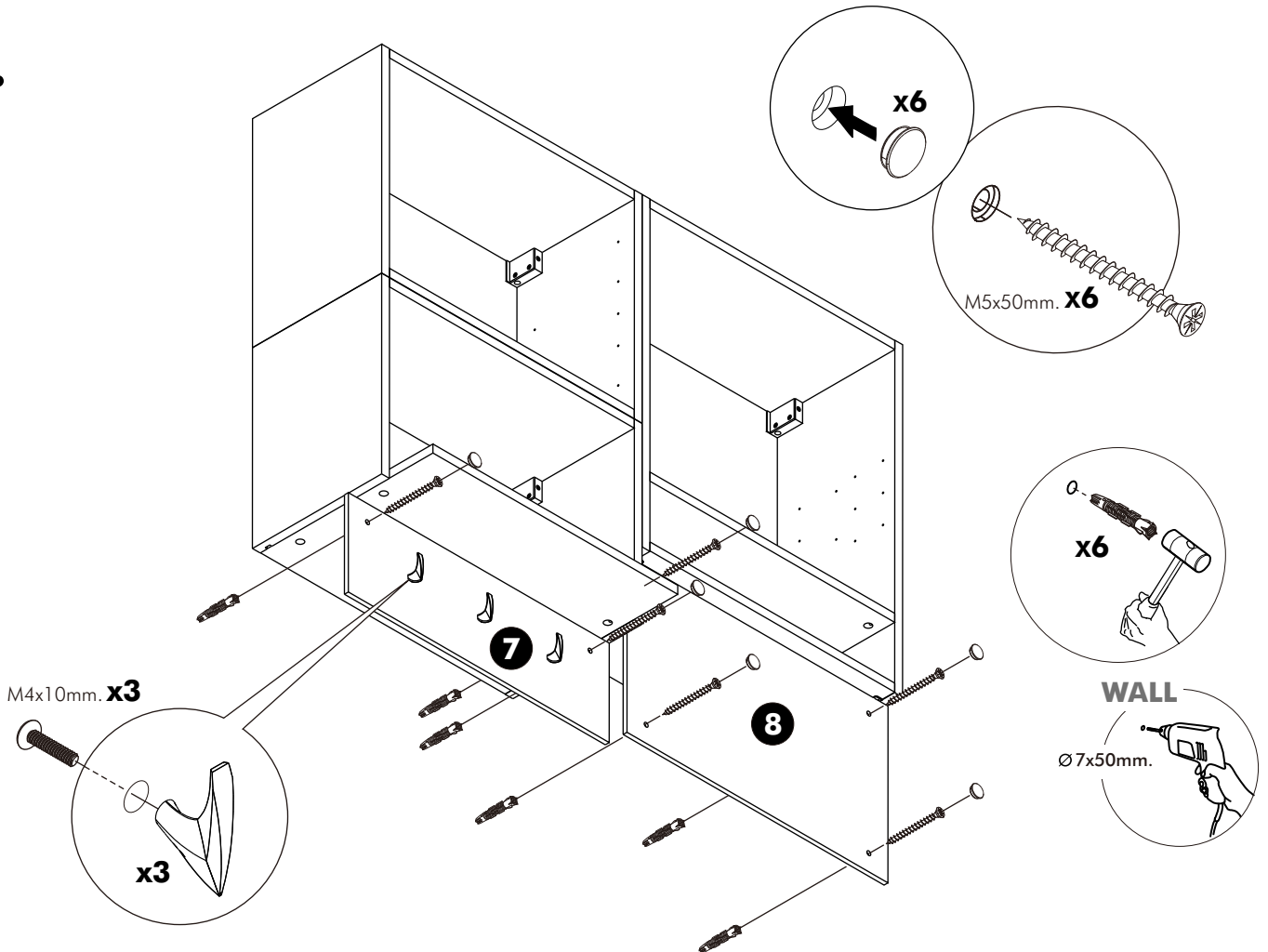
7.



8.

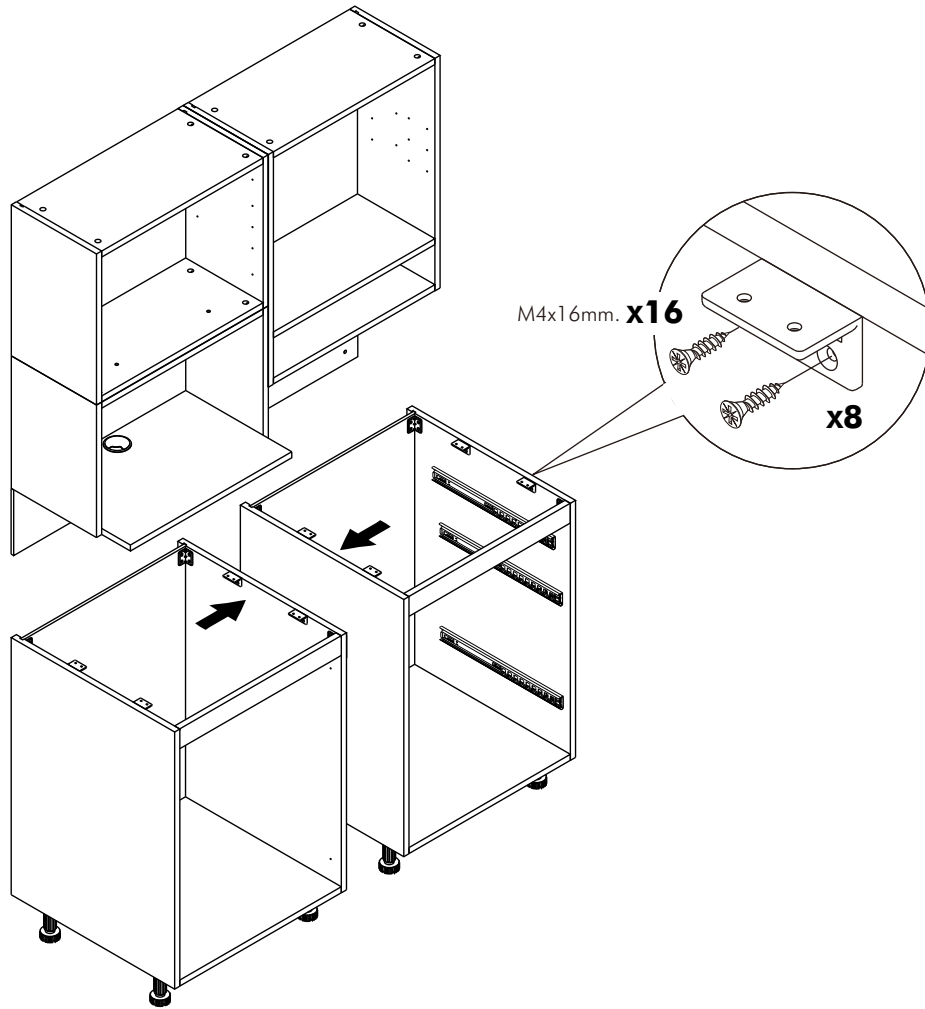


9.

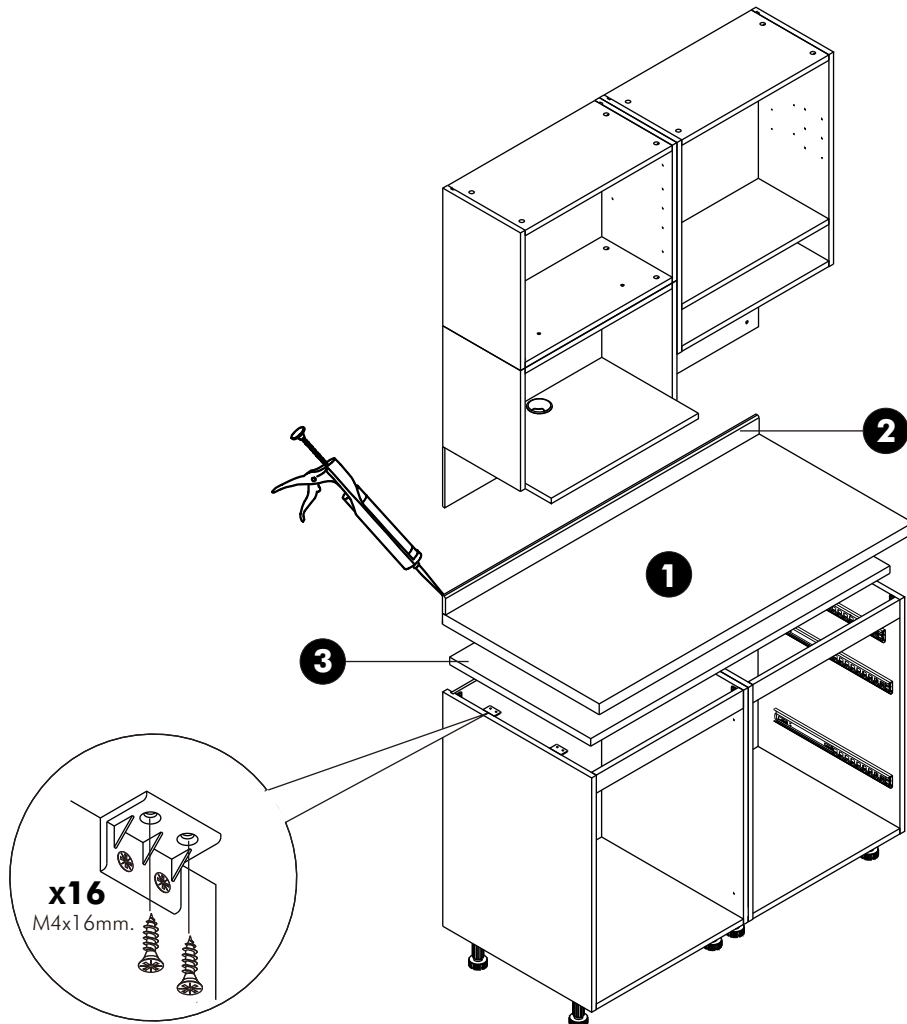


10

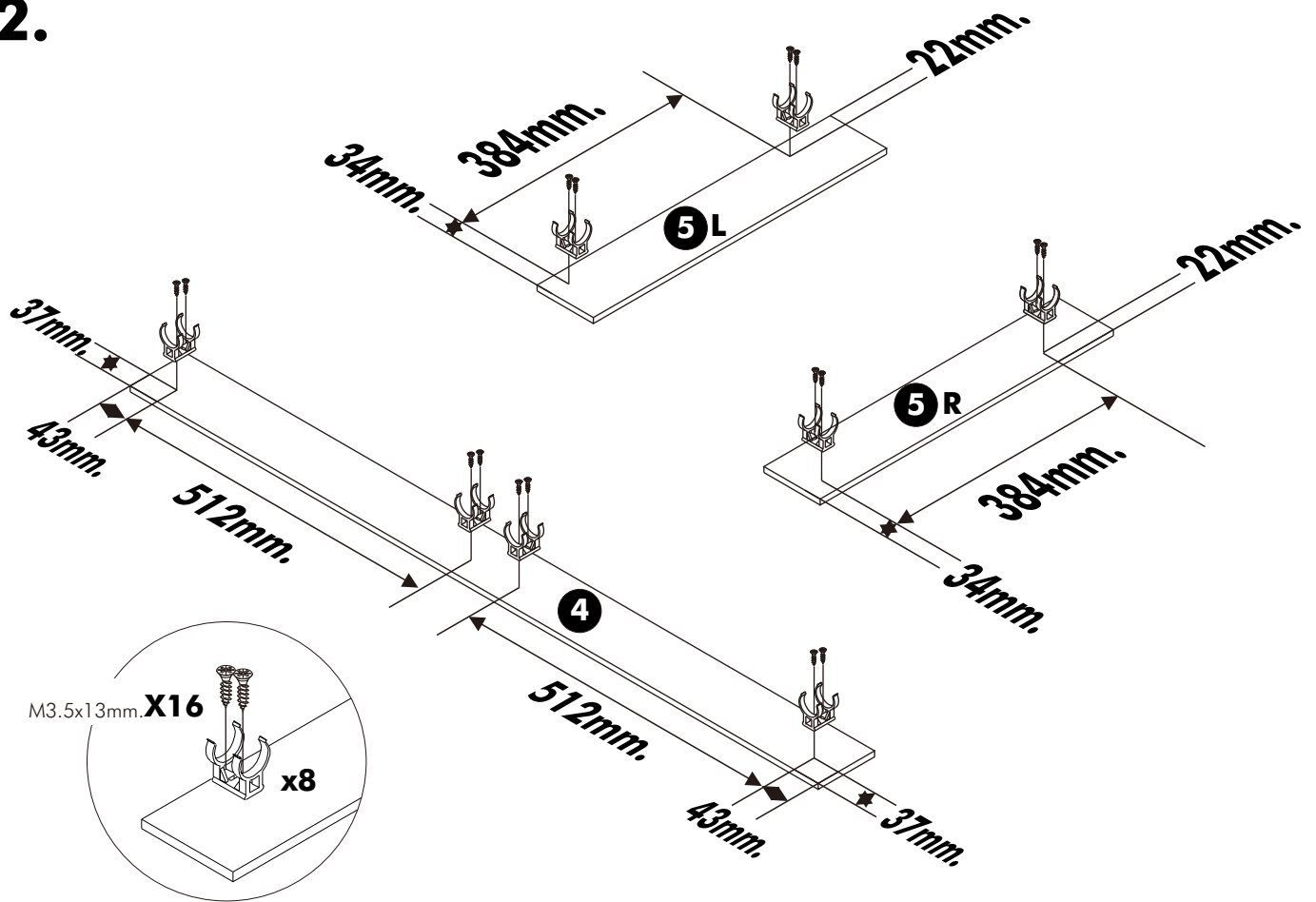
10.



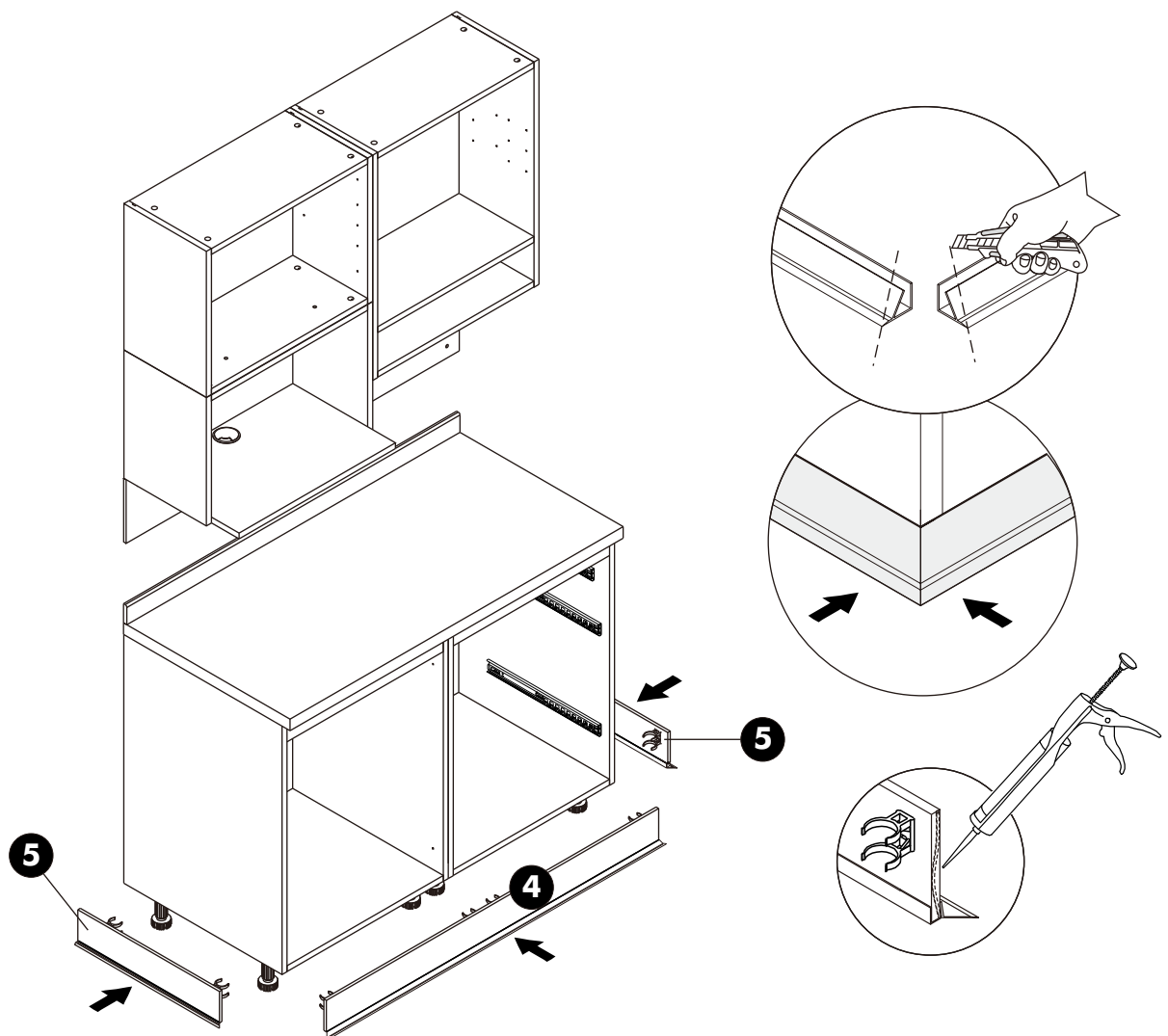
11.



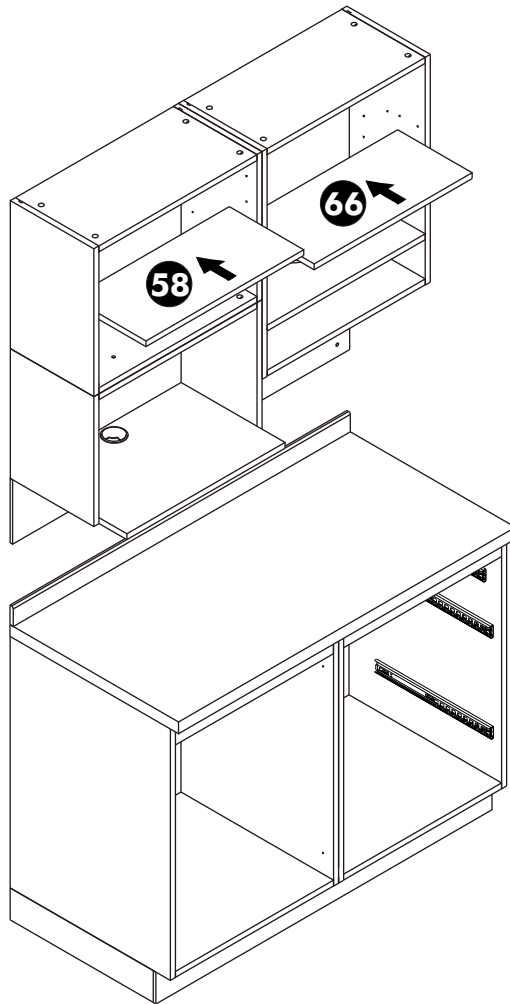
12.



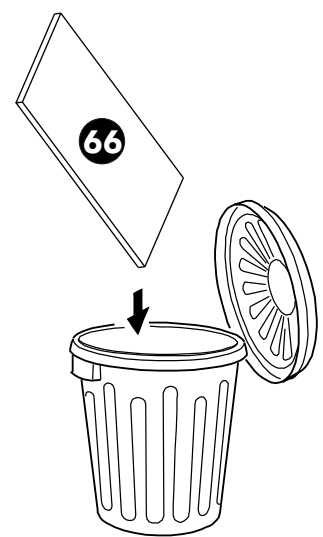
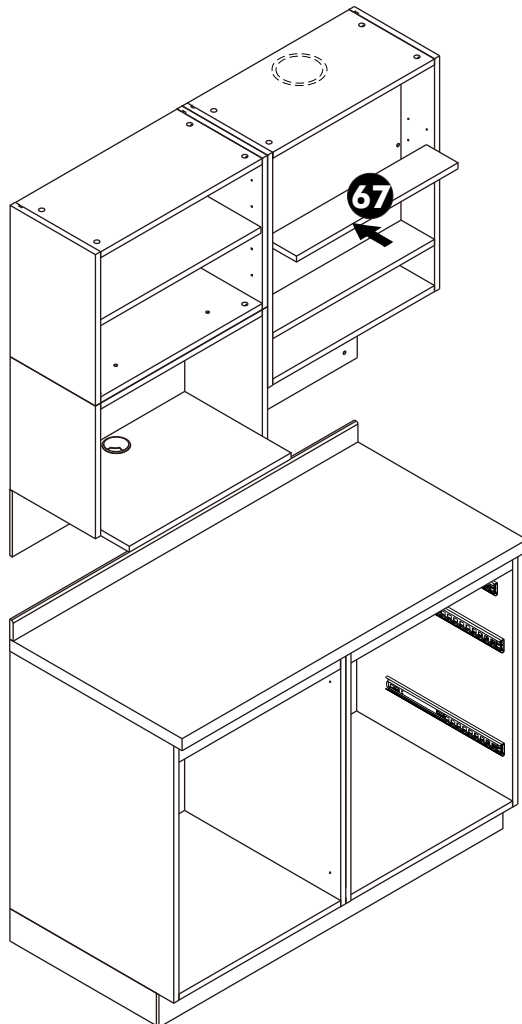
13.



14.



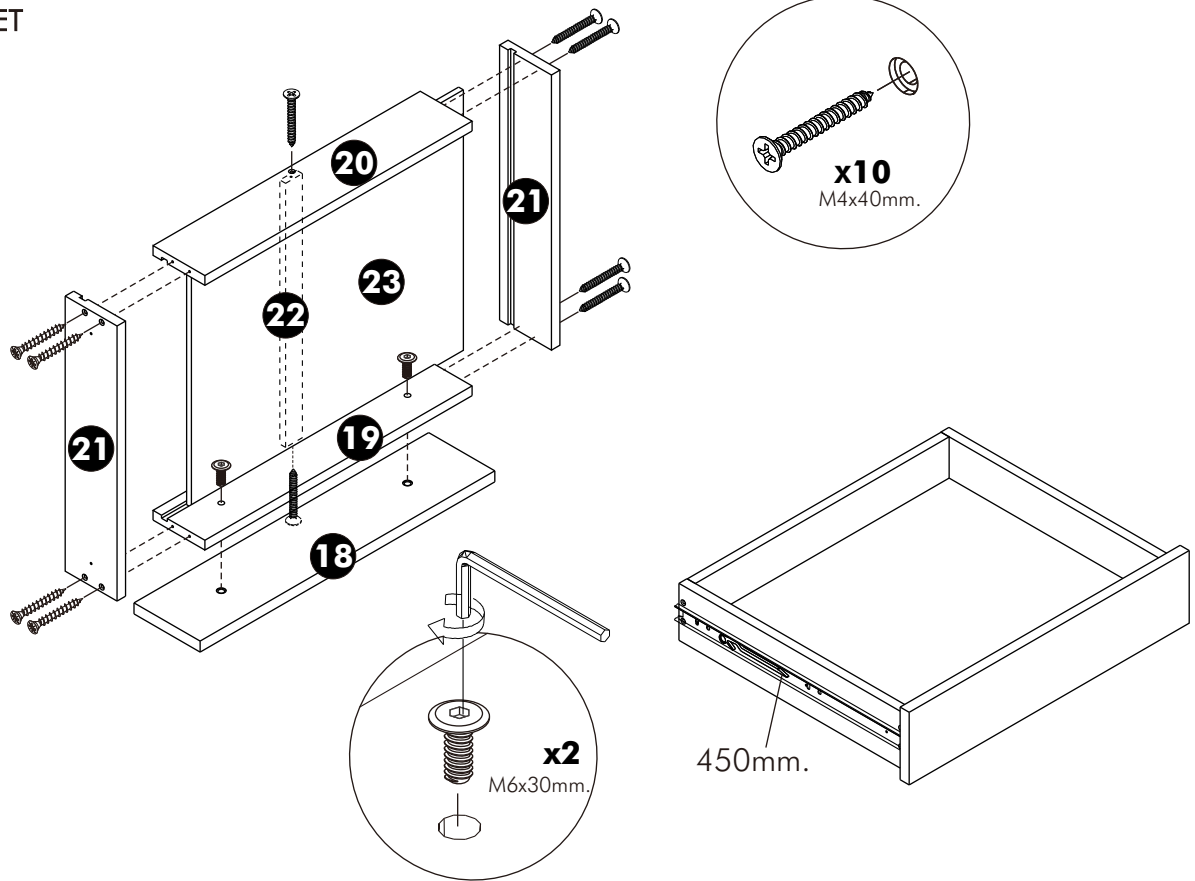
14.1



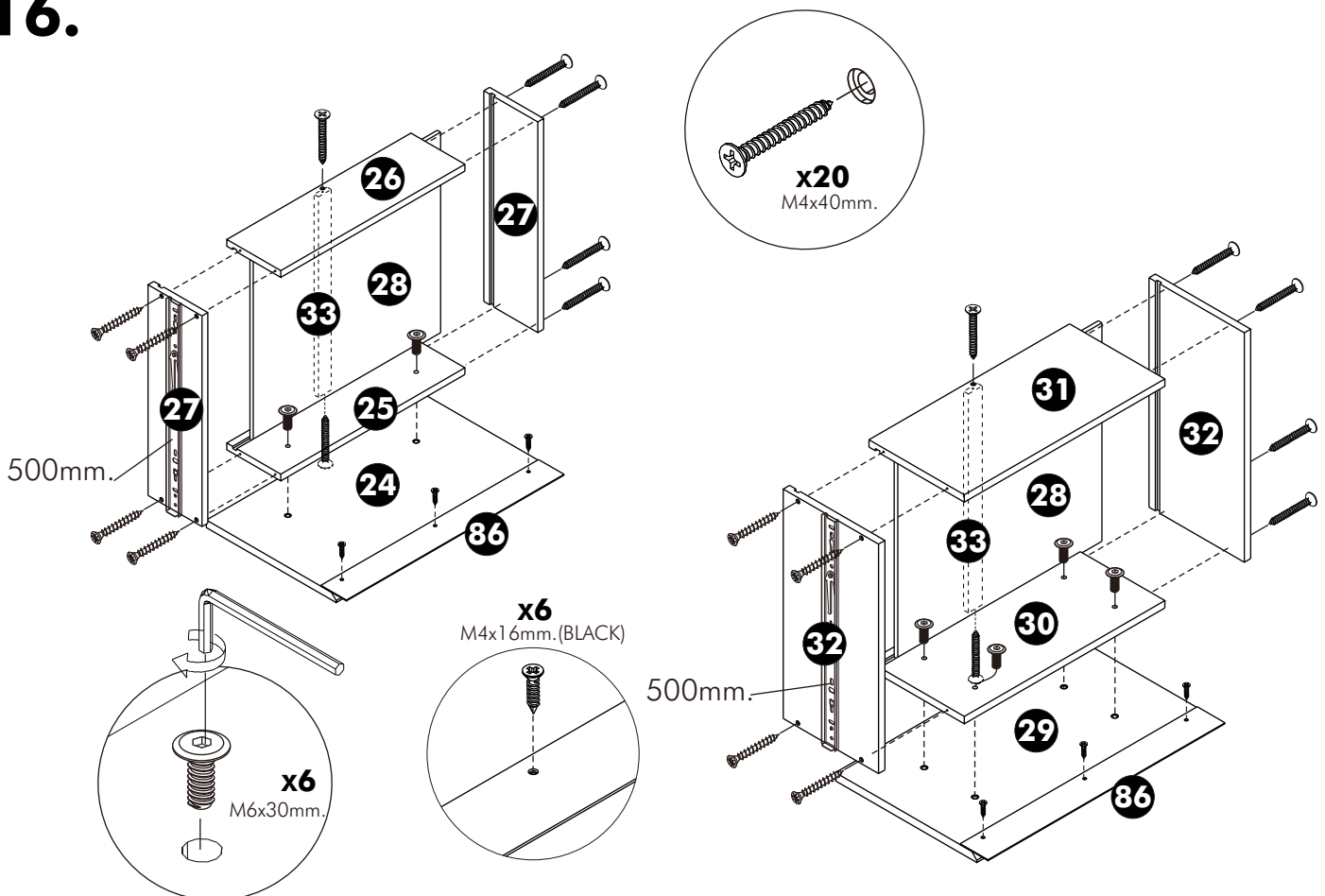
ASSEMBLY

-DRAWER SET

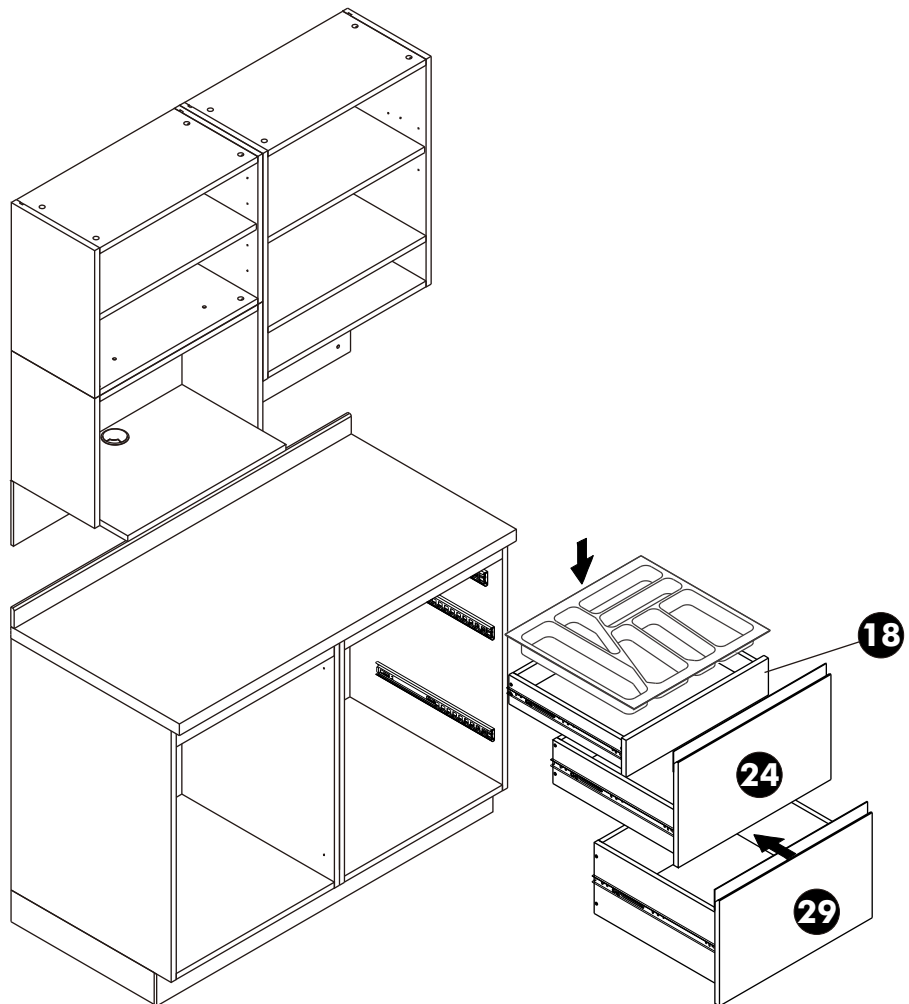
15.



16.



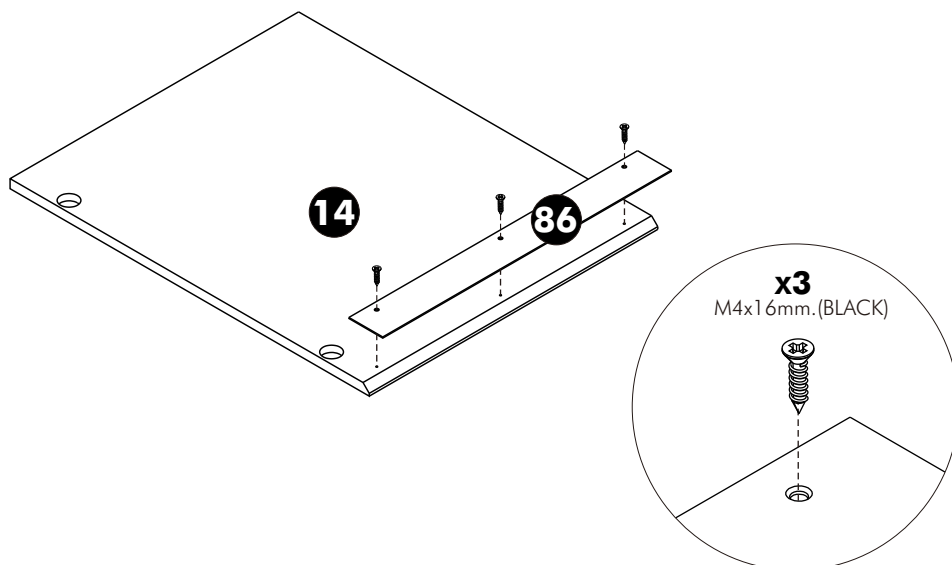
17.



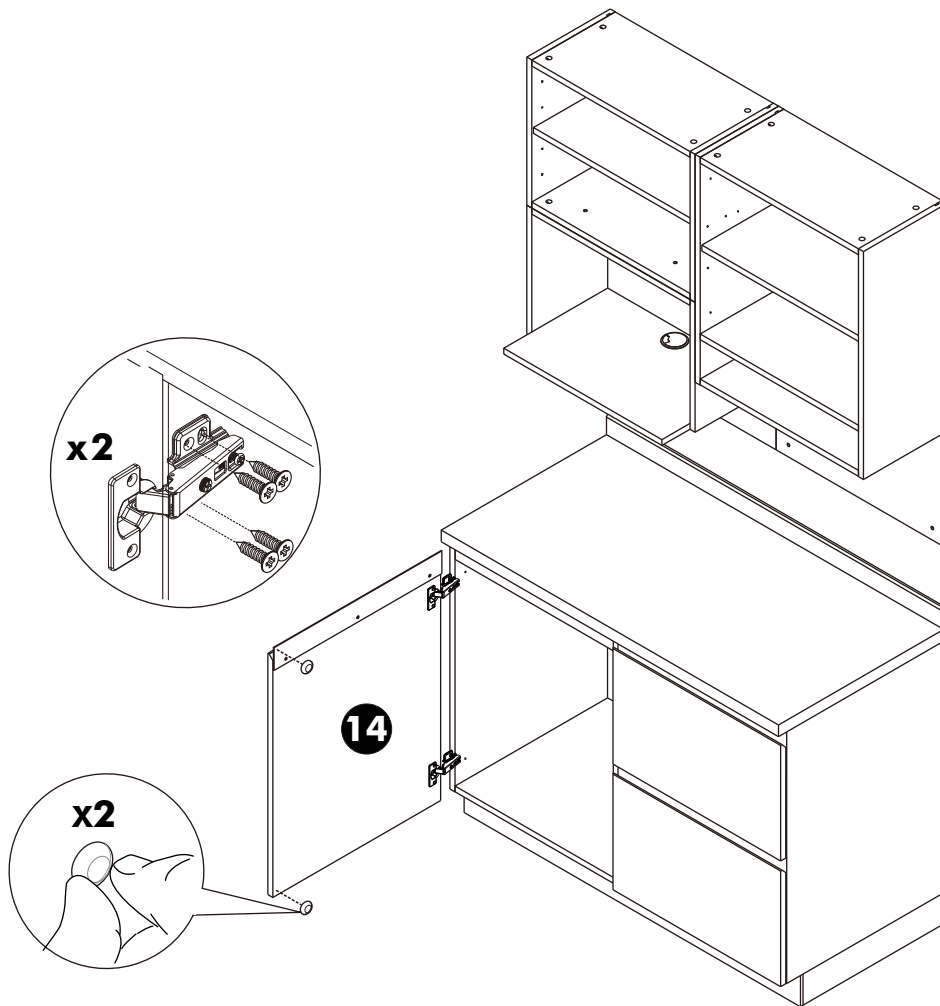
ASSEMBLY

-DOOR SET

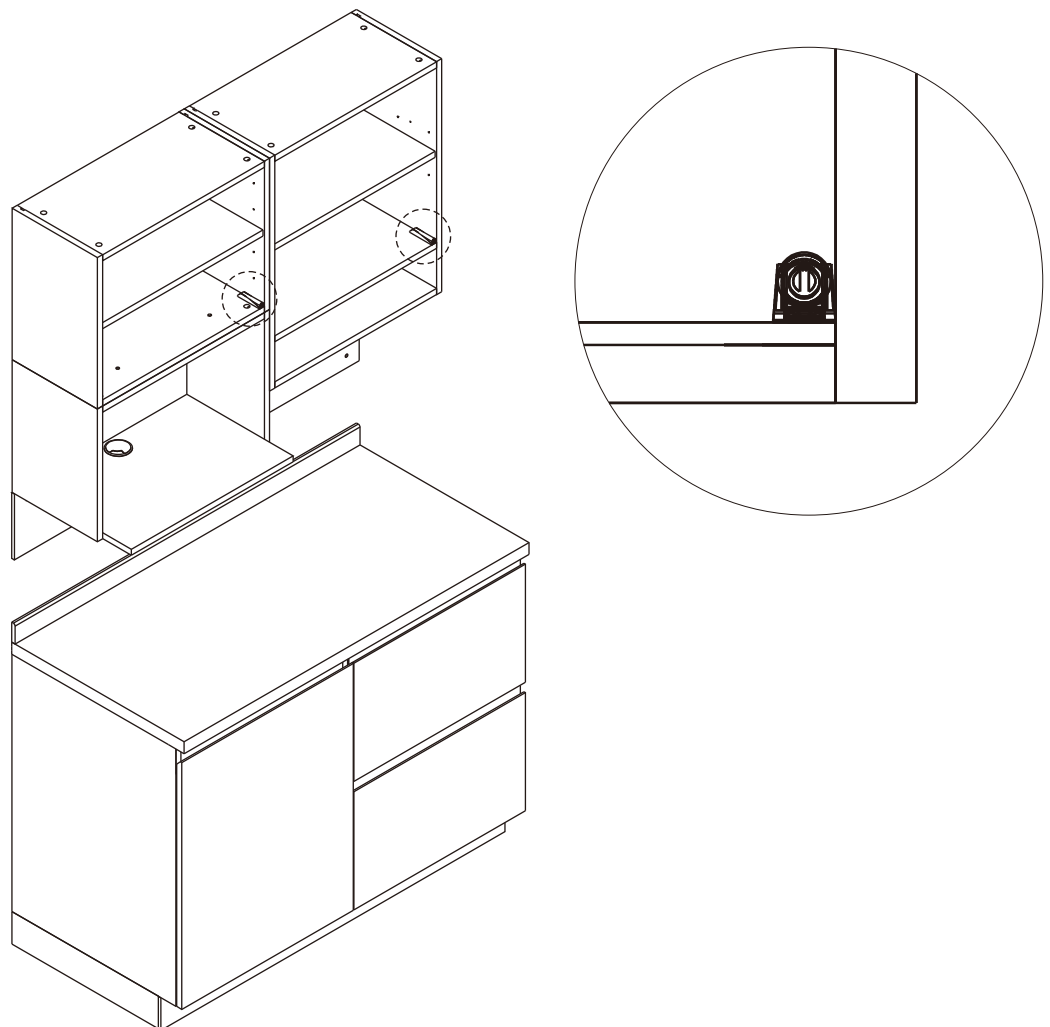
18.



19.



20.



21.

