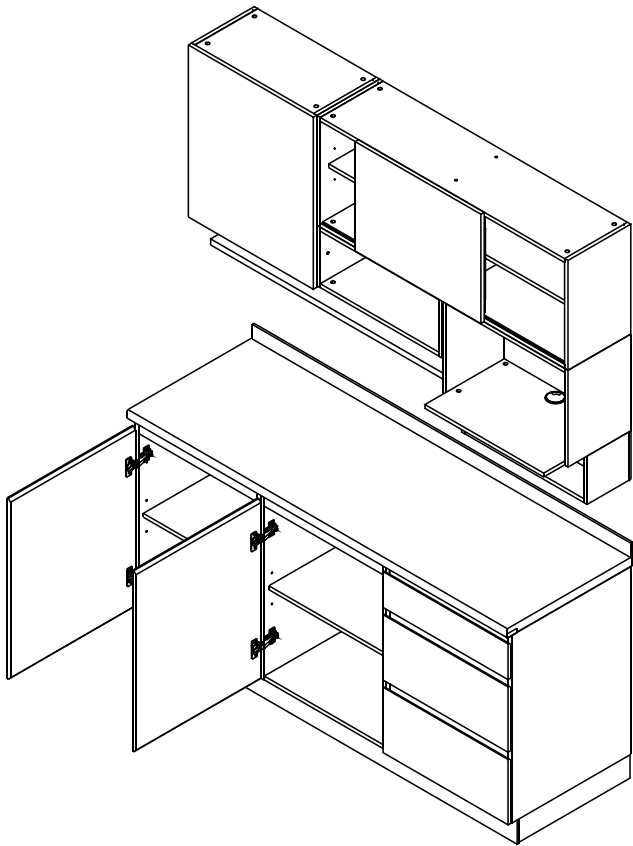
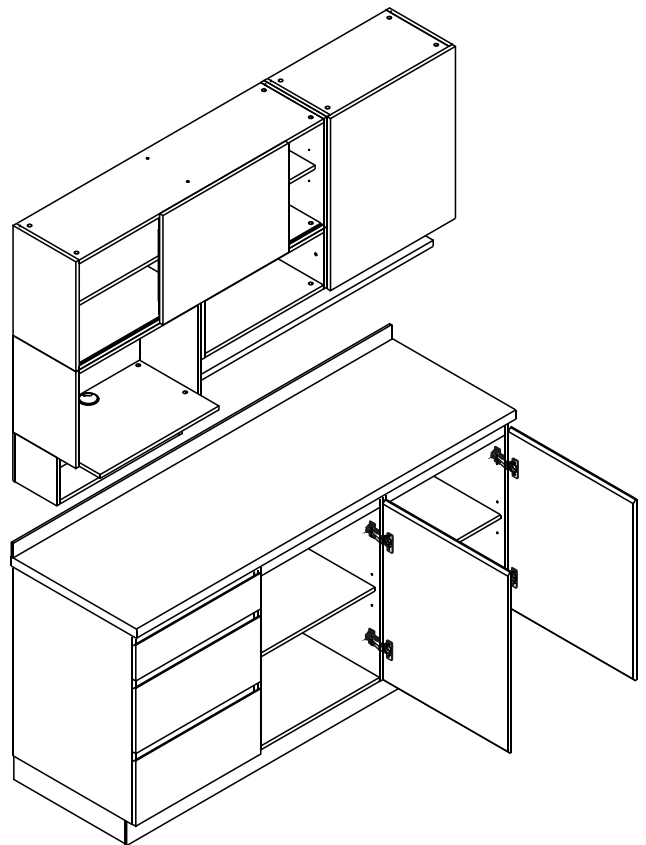


MINZOKU

MINZOKU TOP BW010 1.8M.



TYPE:LEFT



TYPE:RIGHT

CONNECT SYSTEM

1

3

2

(Connecting bolts)

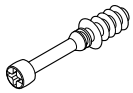
WHEN FITTING CAMS
 ENSURE STARTING POSITION IS CORRECT
 BEFORE YOU INSERT CONNECTING BOLT
 TURN CLOCKWISE UNTIL SECURE

✓			✗
↑			
	CORRECT	WRONG	

M4x16mm.

HARDWARE

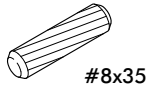
-BODY SET



x 50



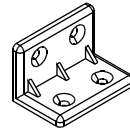
x 50



x 94



x 1



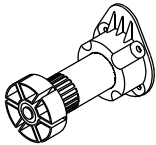
x 25



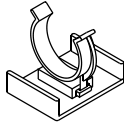
x 24



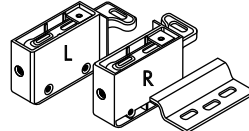
x 3



x 12



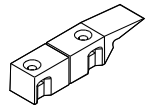
x 8



x 3/4/7



x 8



x 4



x 32



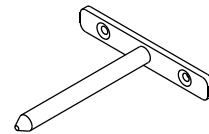
x 148



x 12



x 4



x 4



x 2



x 3



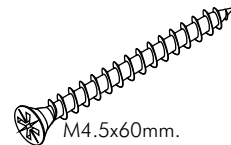
x 16



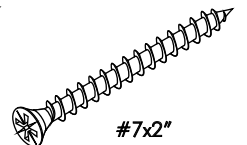
x 12



x 22

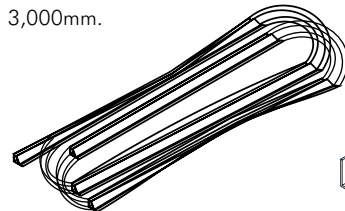


x 28



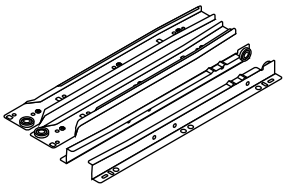
x 4

3,000mm.



x 1

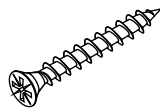
-DRAWER SET



x 3



x 42



x 40

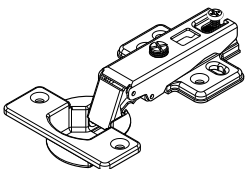


x 13



x 1

-DOOR SET



x 6

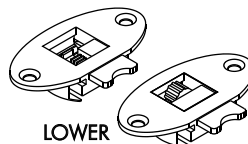


x 36



x 10

UPPER



LOWER

x 2/2

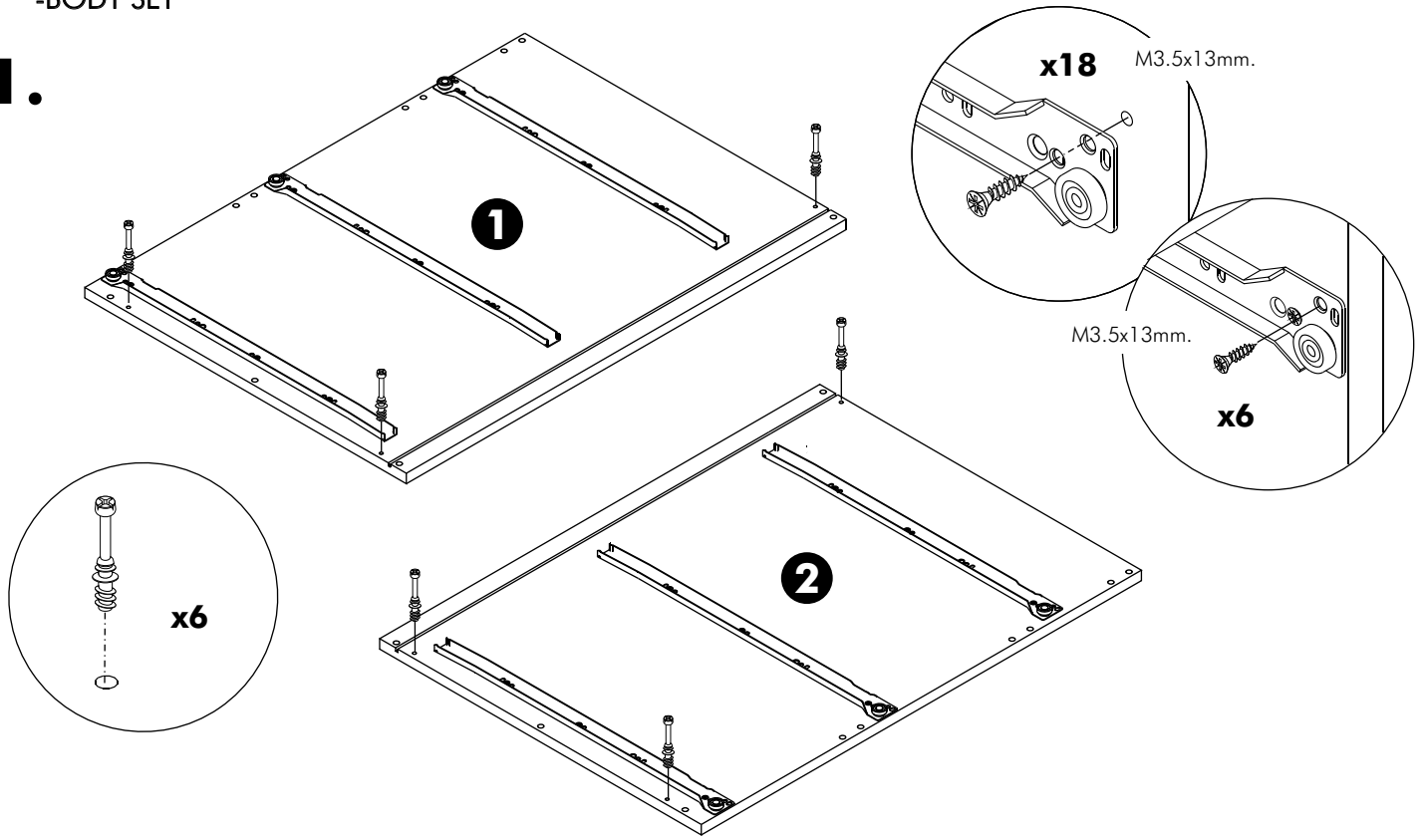


x 8

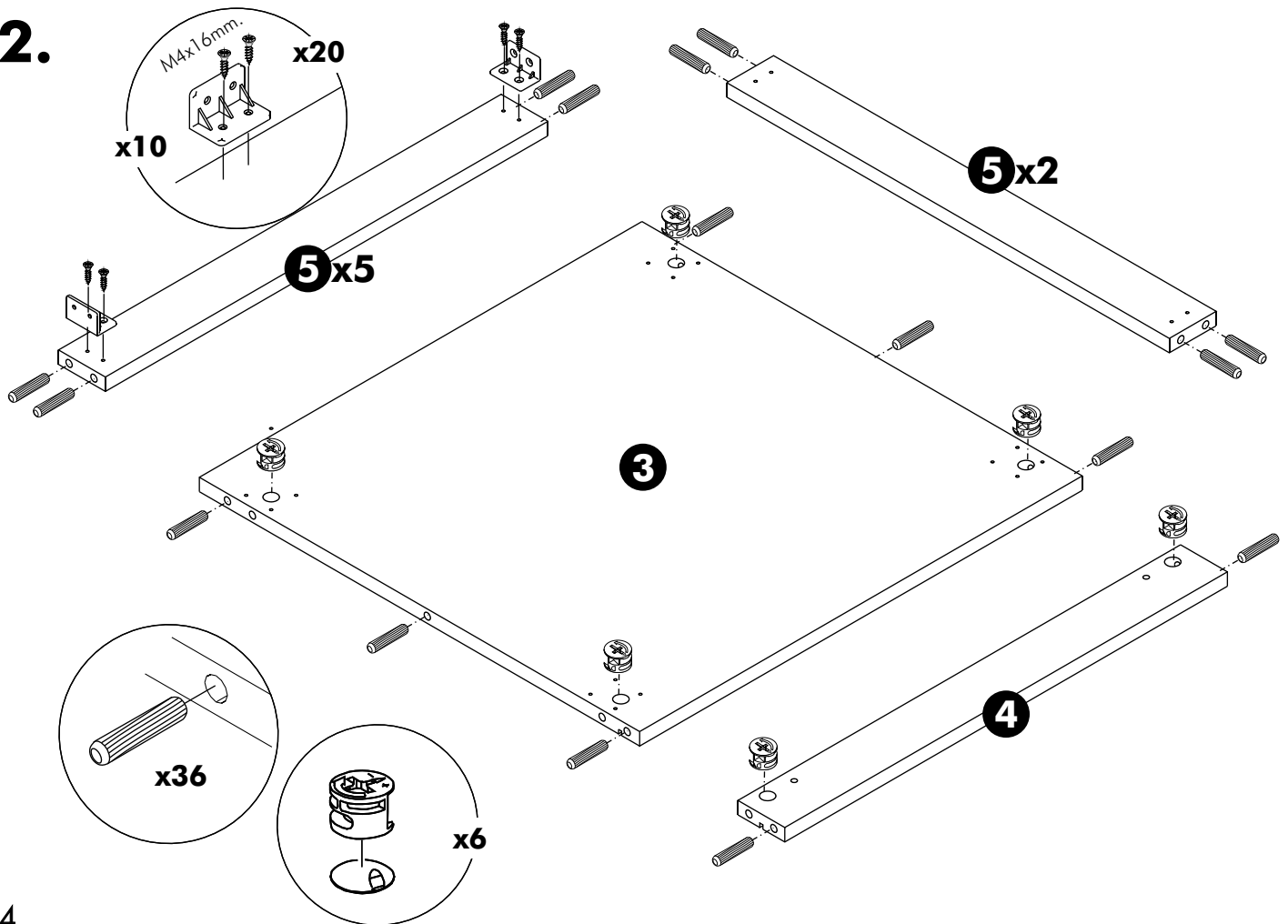
ASSEMBLY

-BODY SET

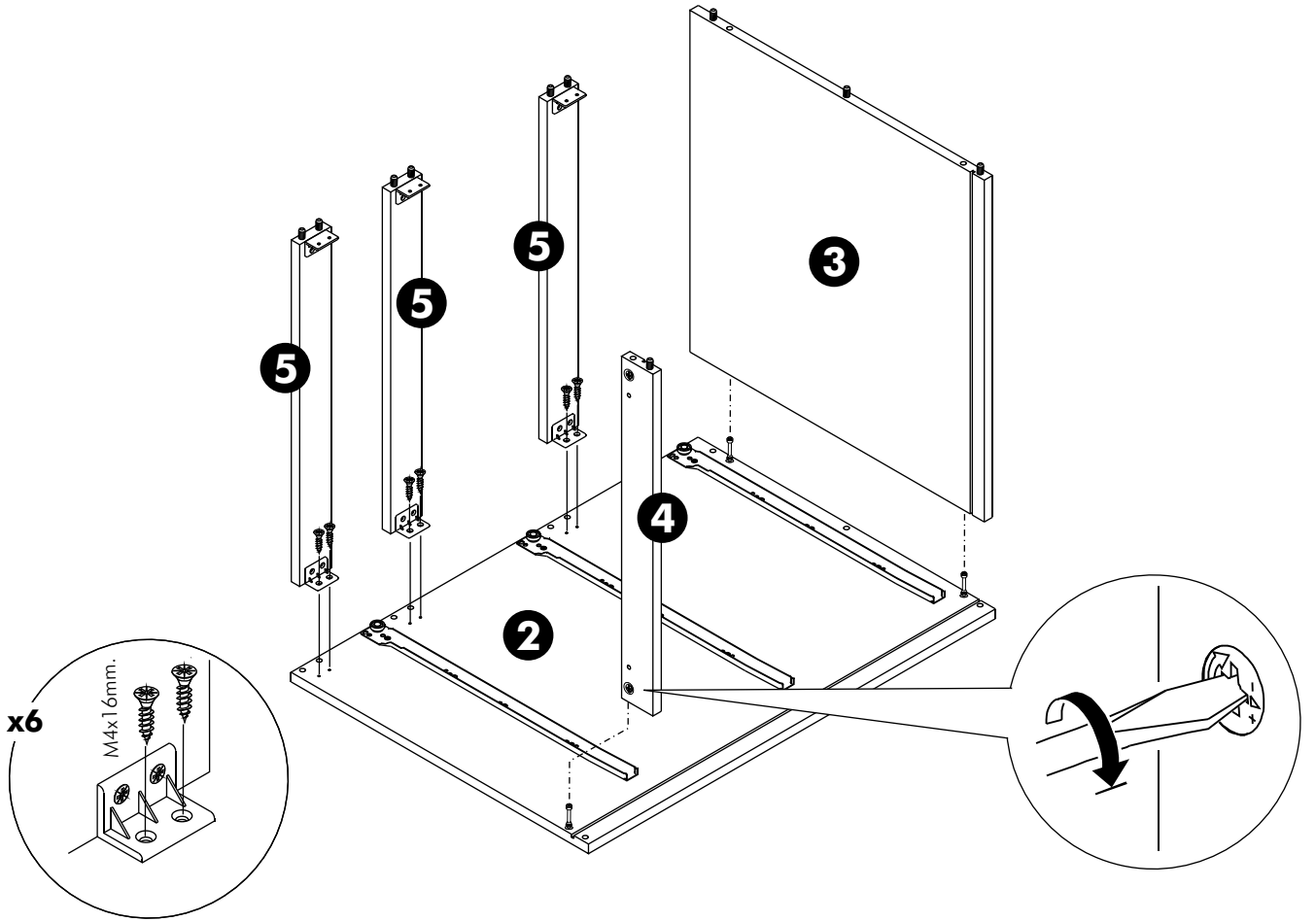
1.



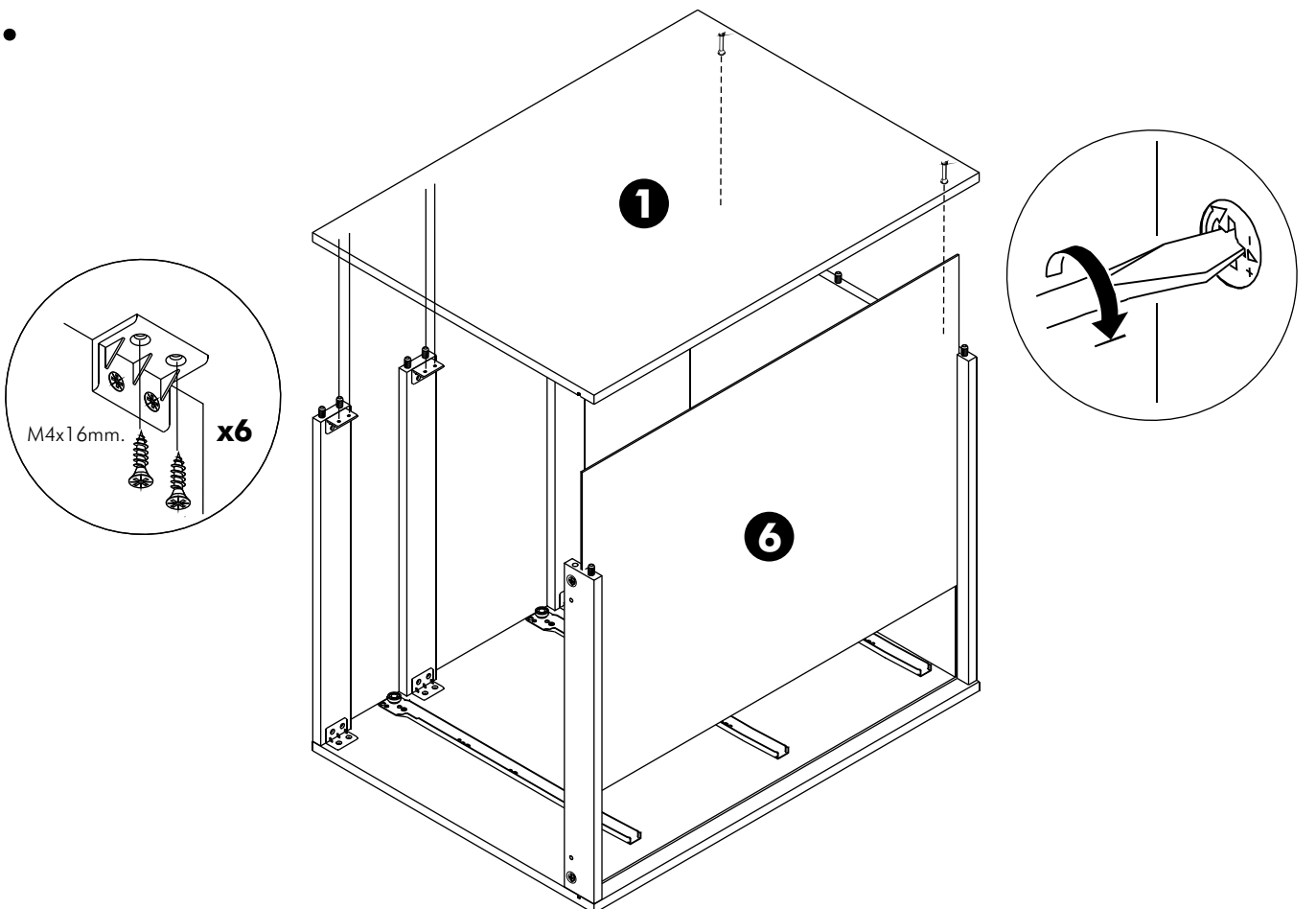
2.



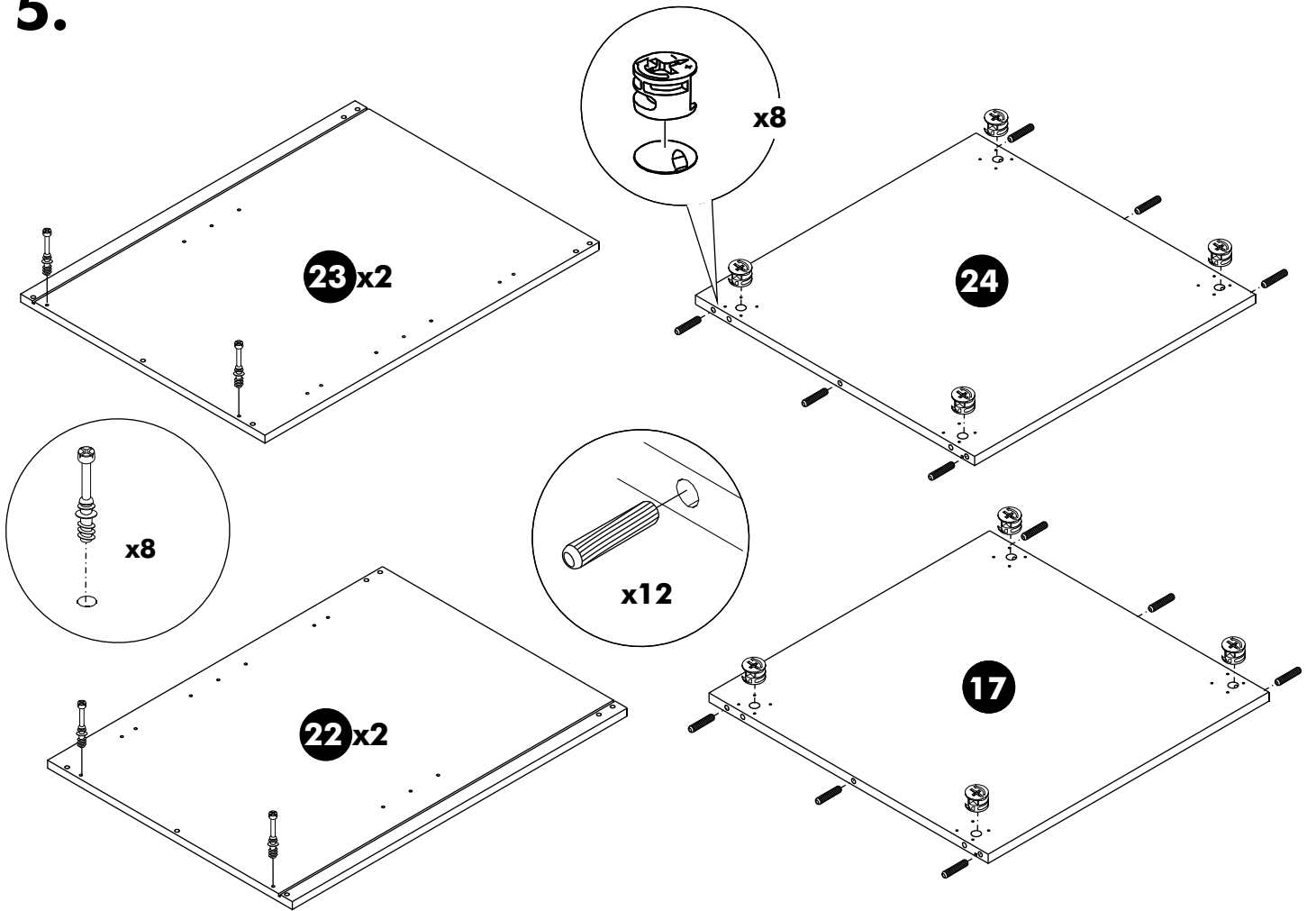
3.



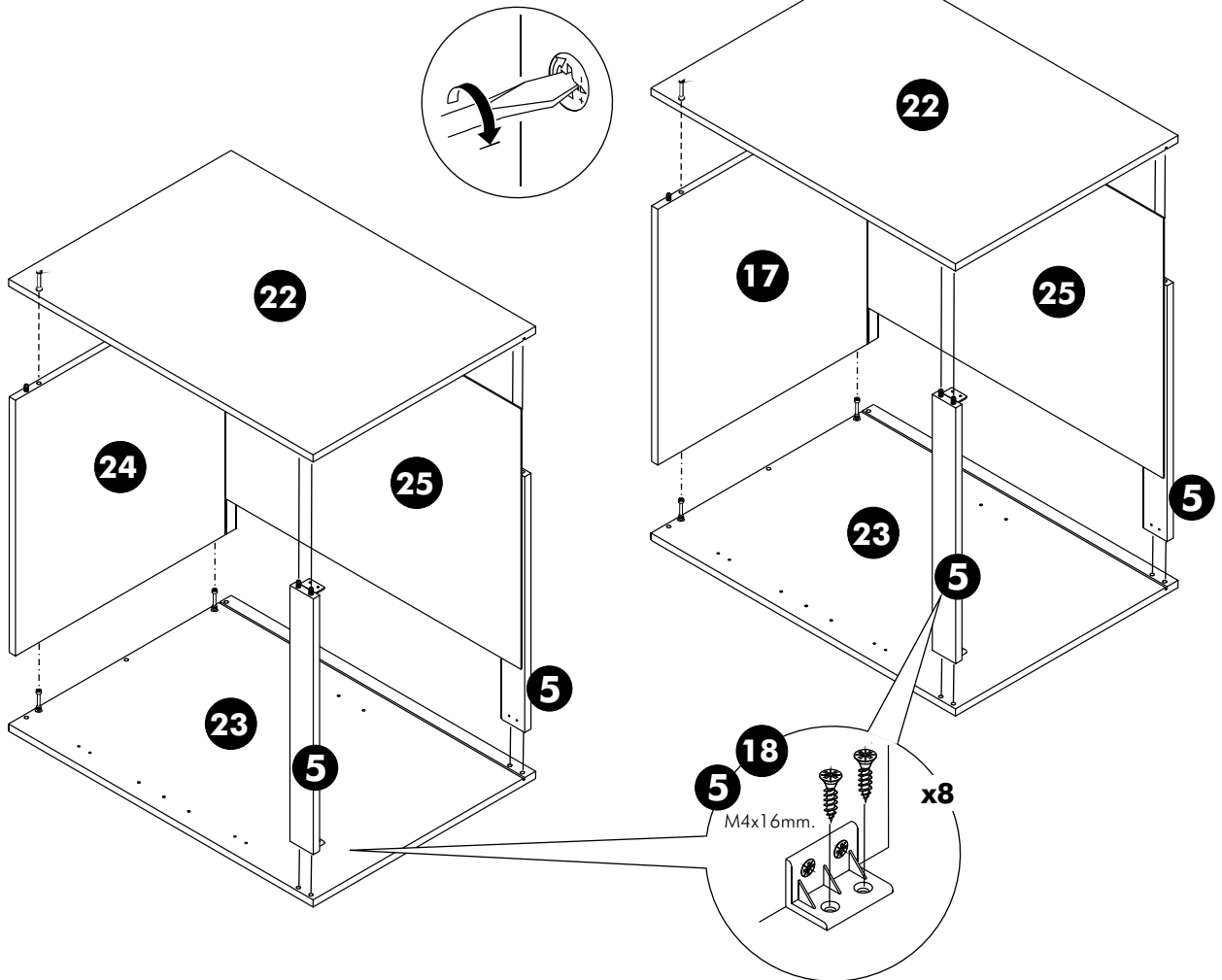
4.



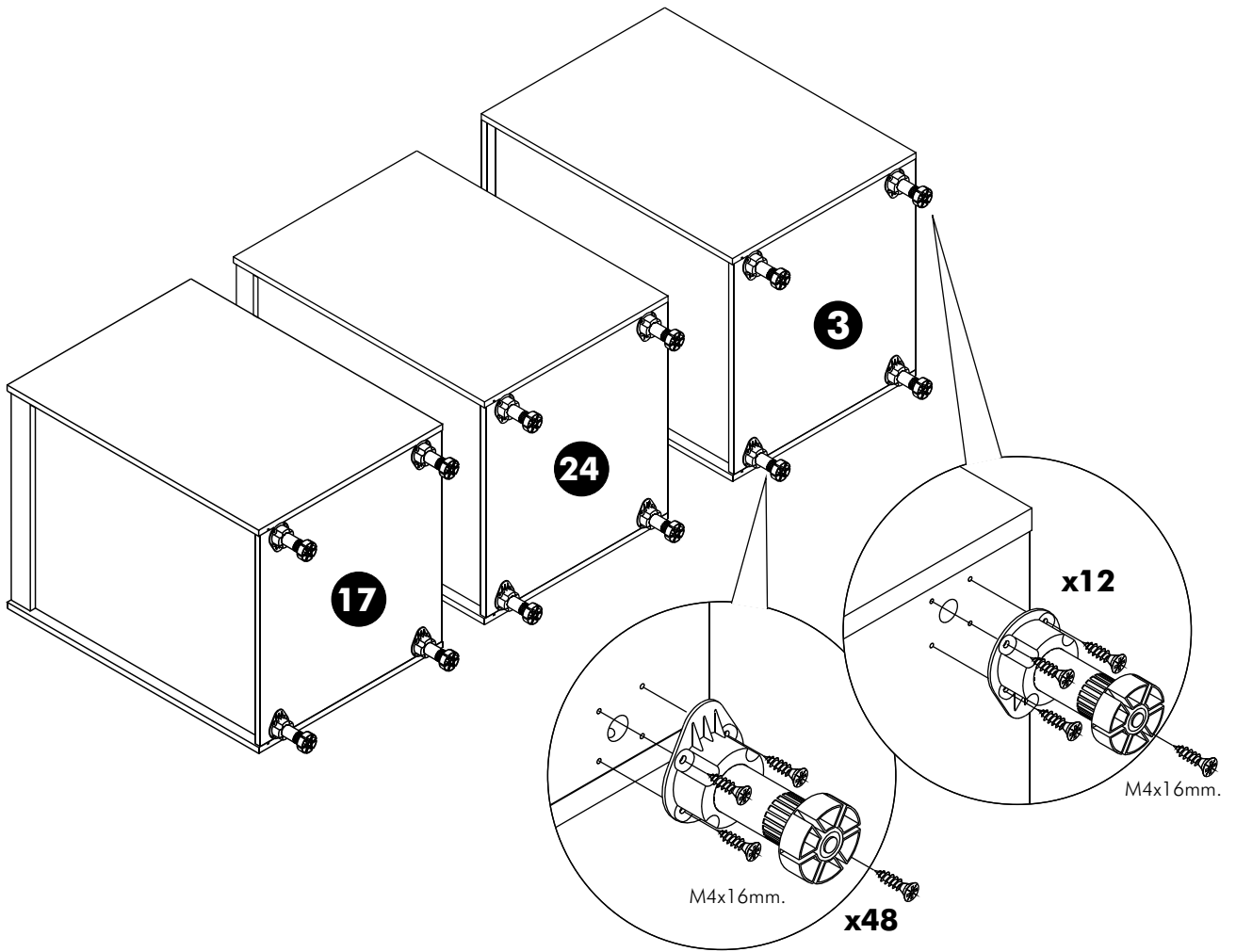
5.



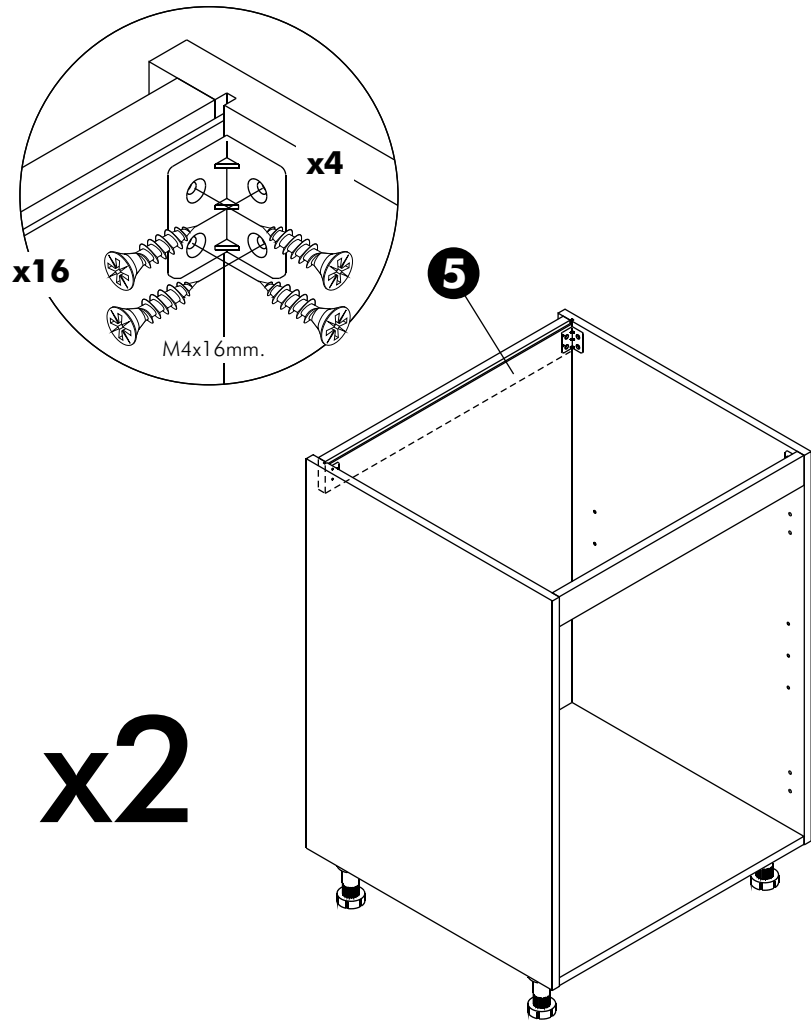
6.



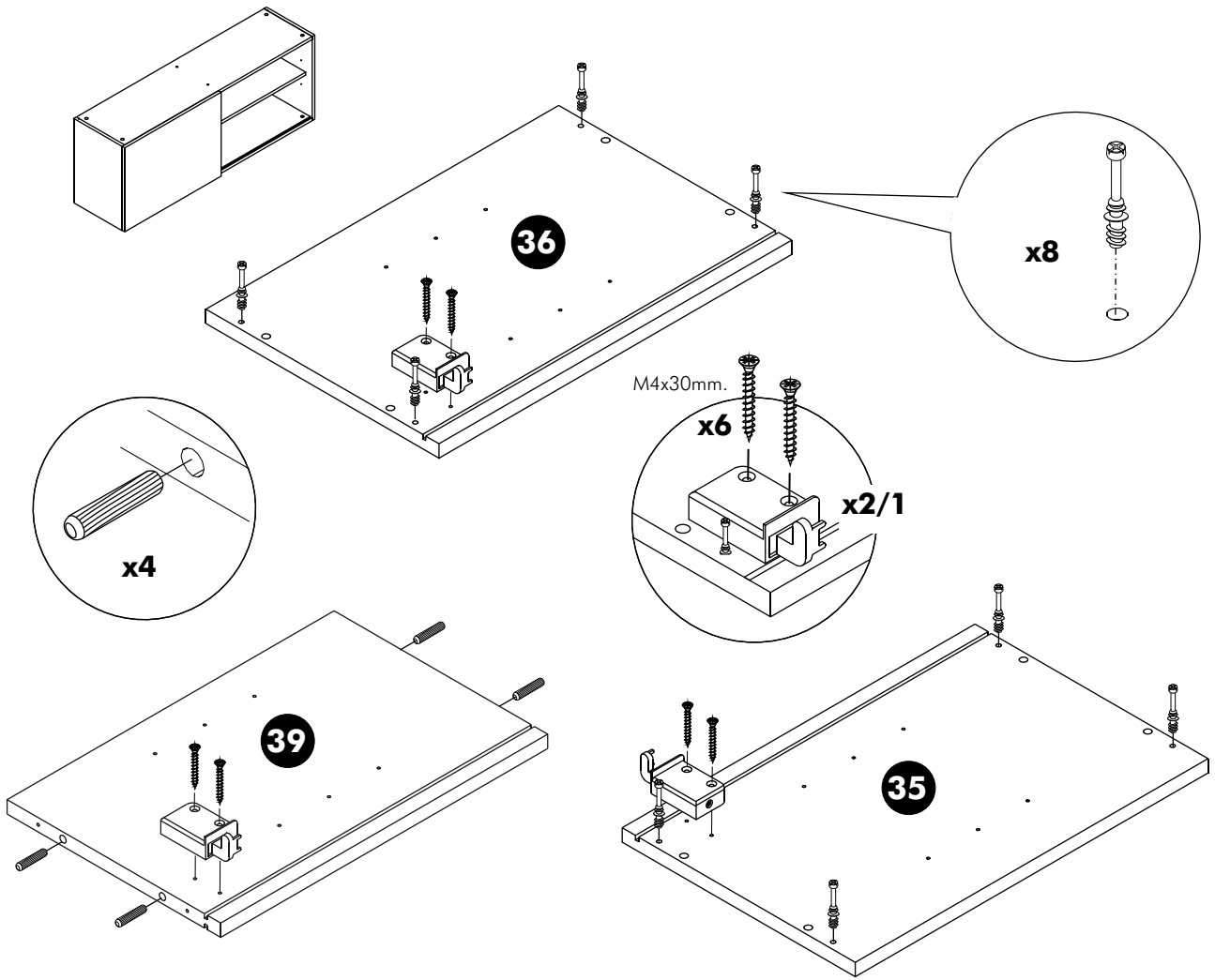
7.



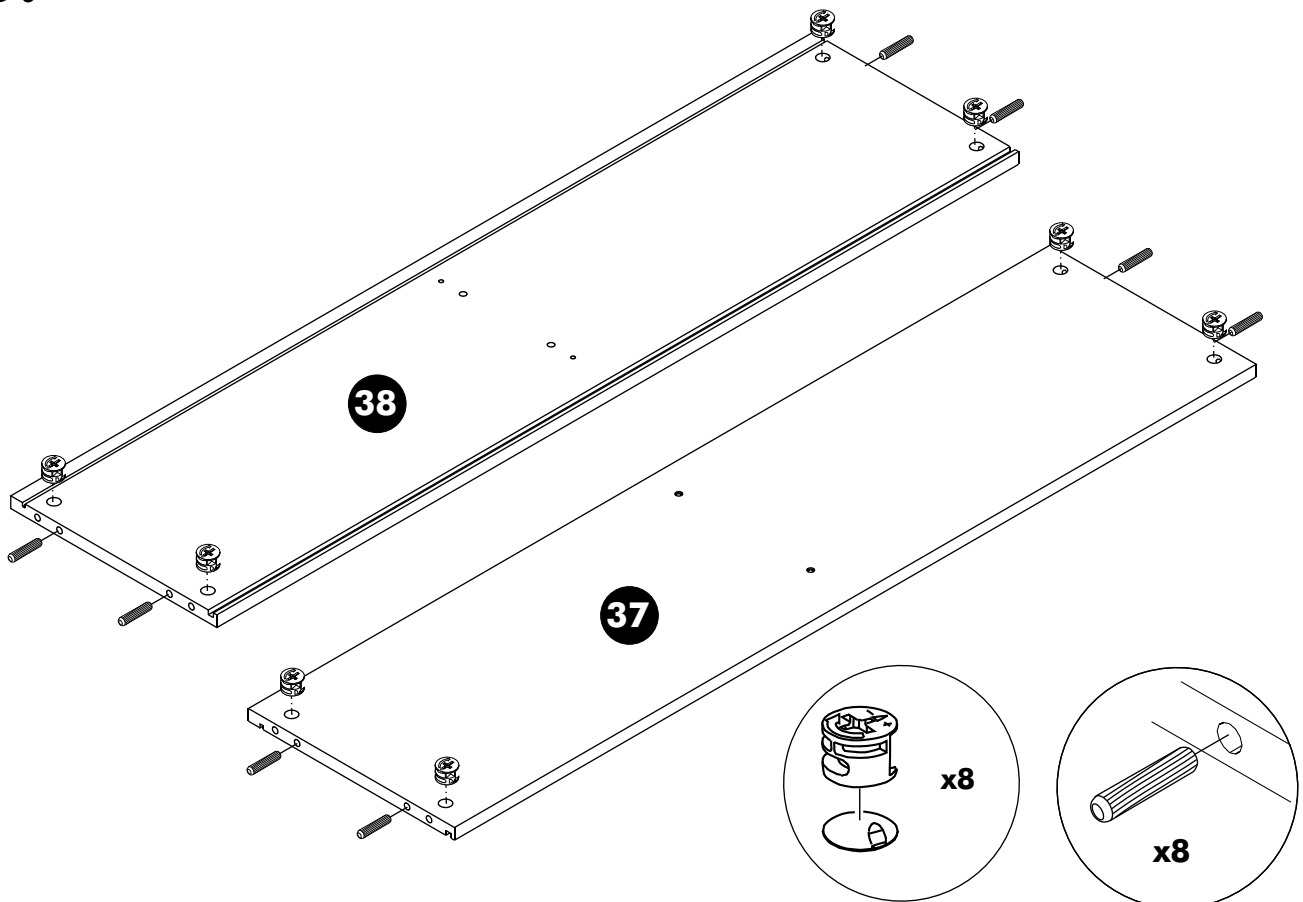
8.



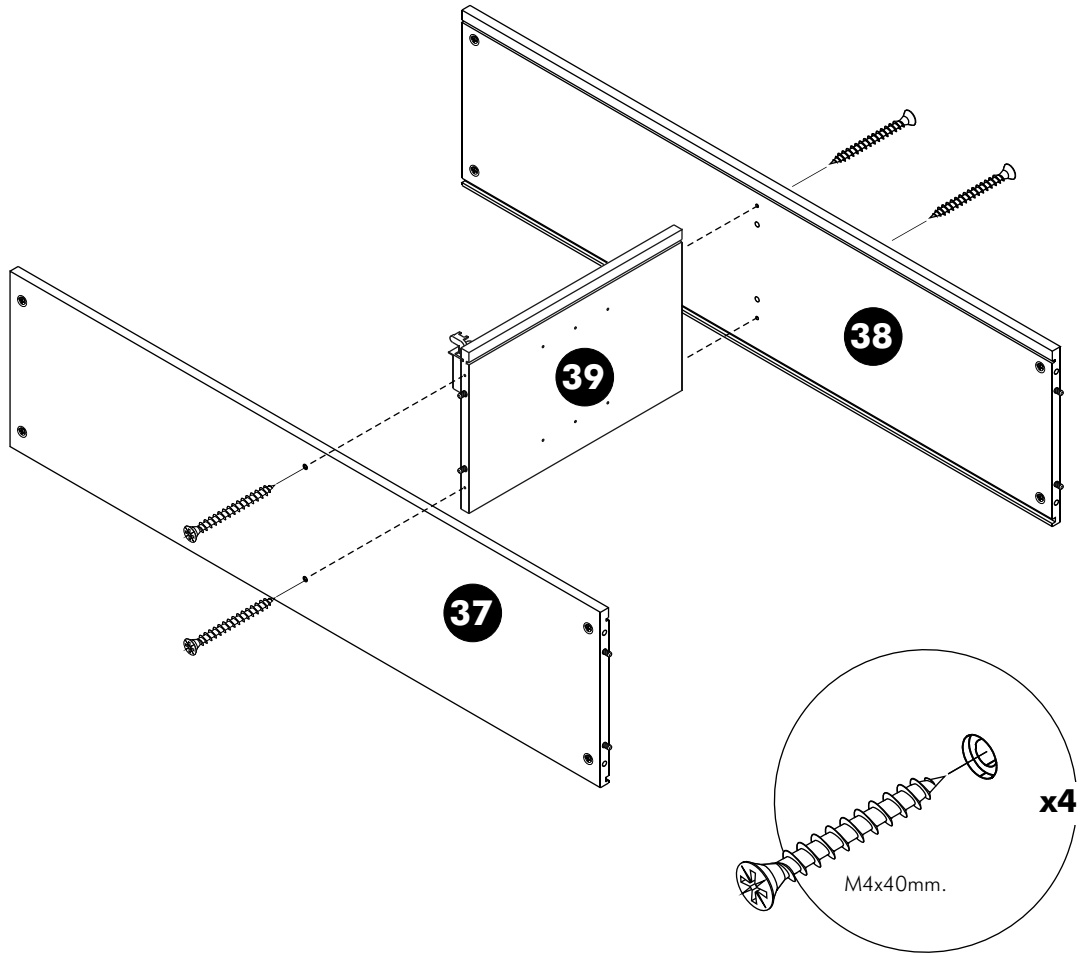
9.



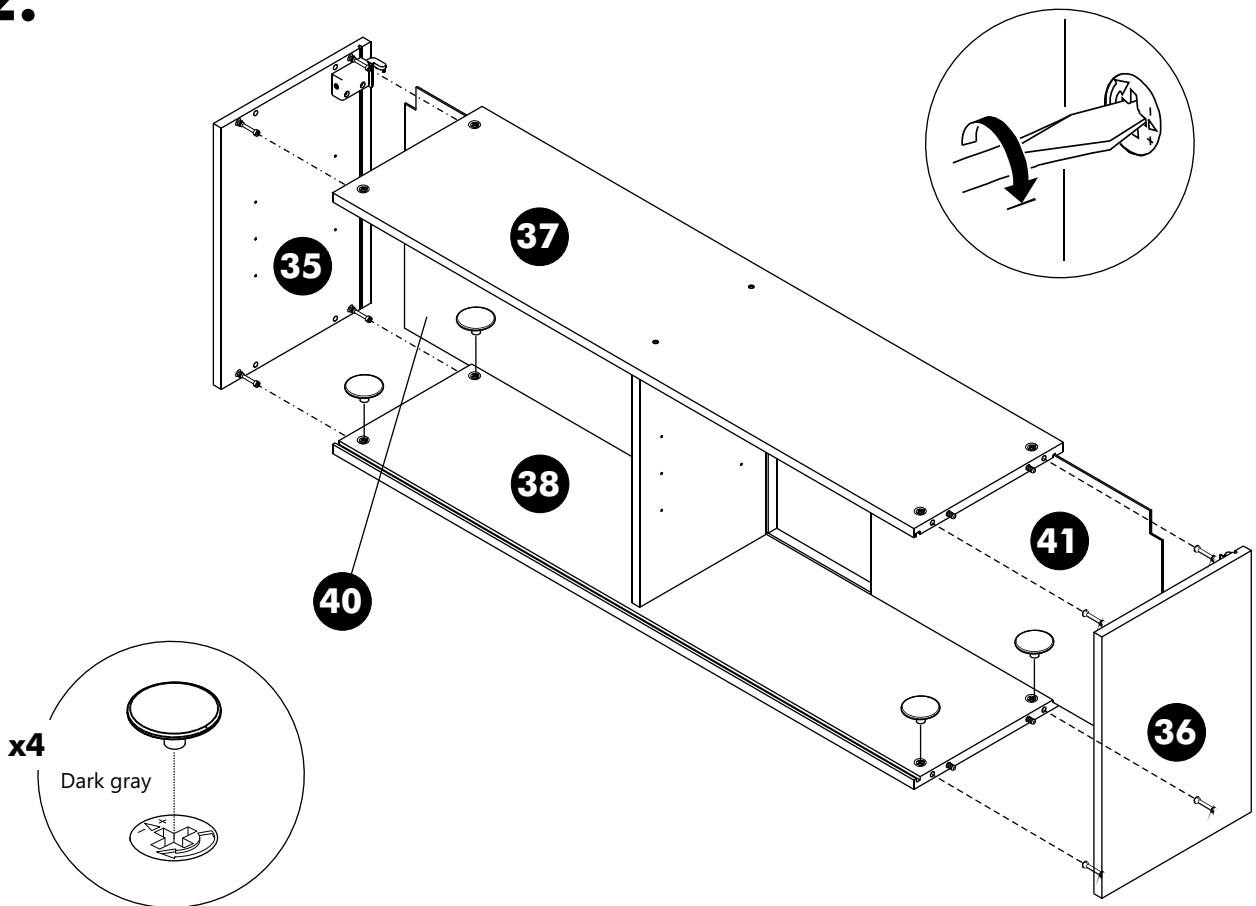
10.



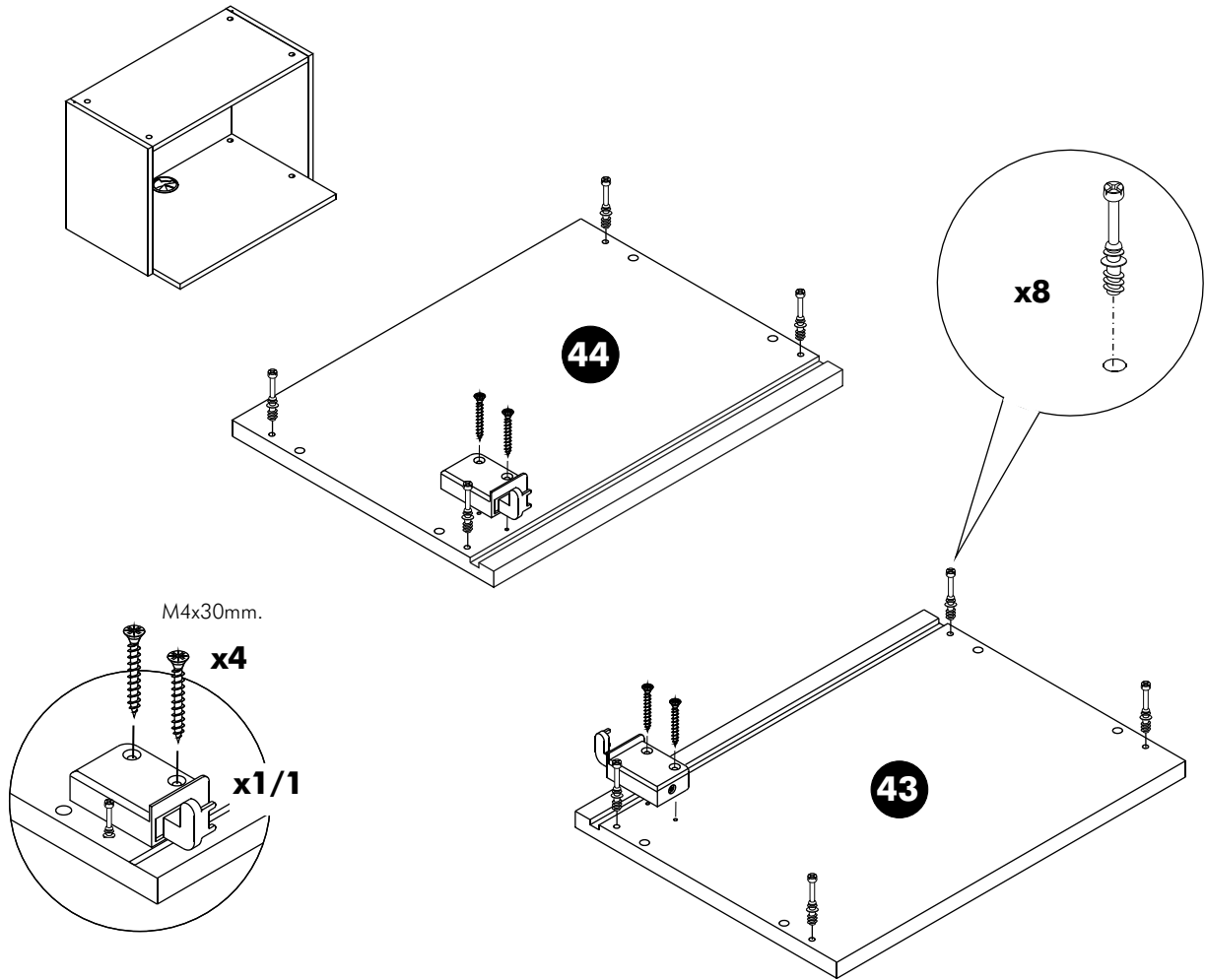
11.



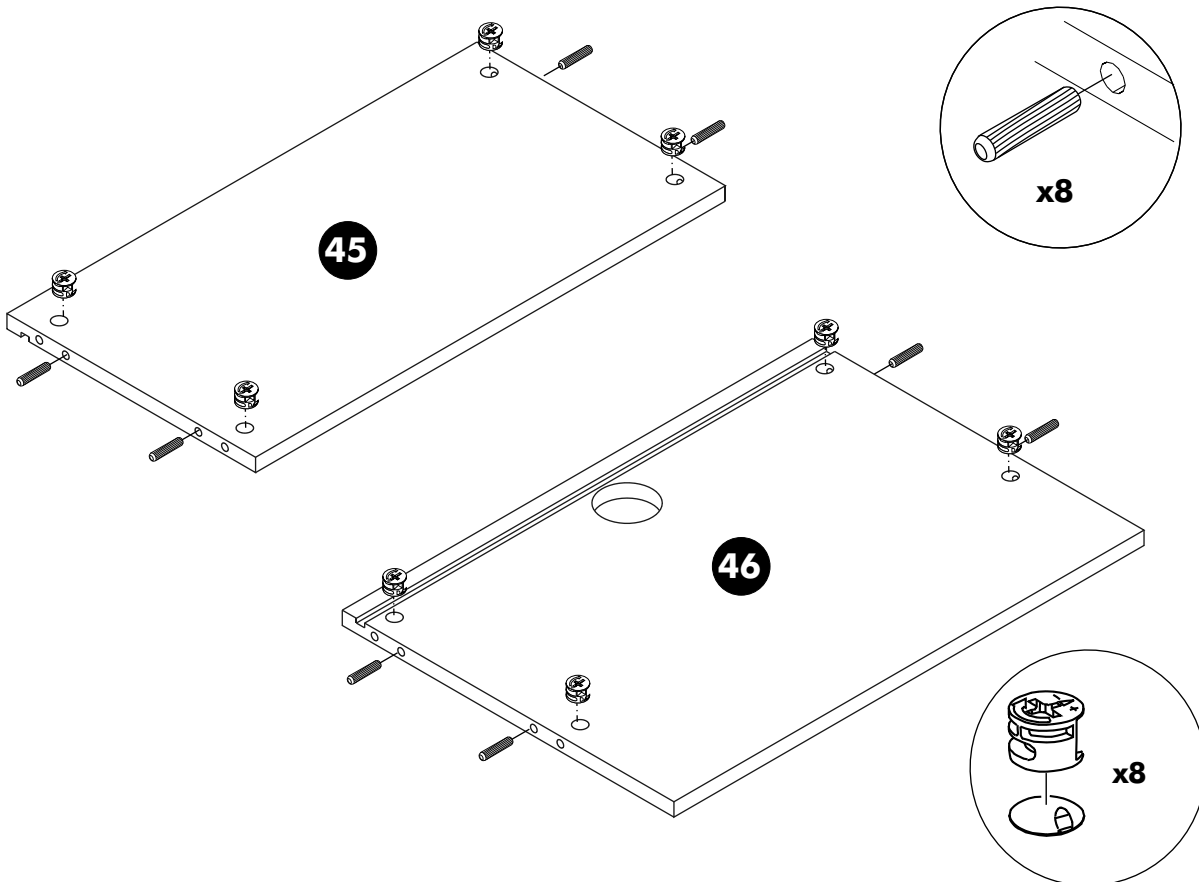
12.



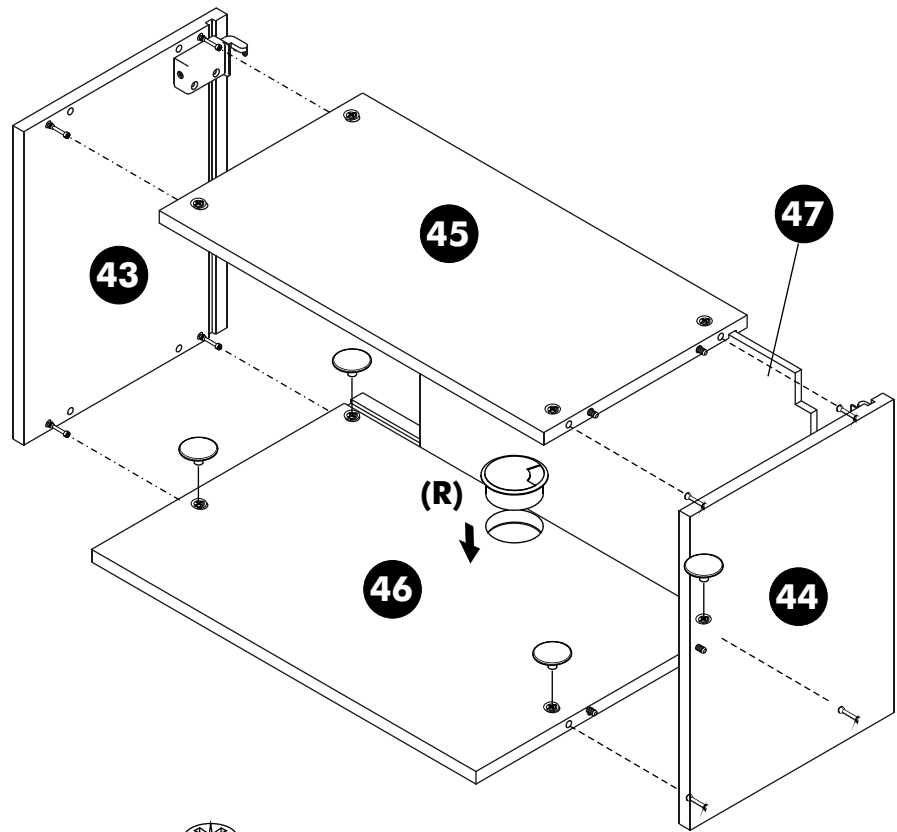
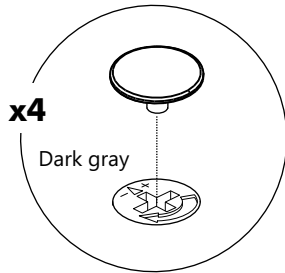
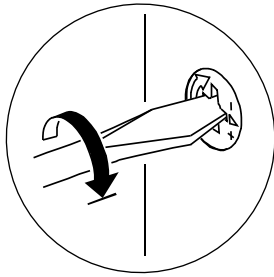
13.



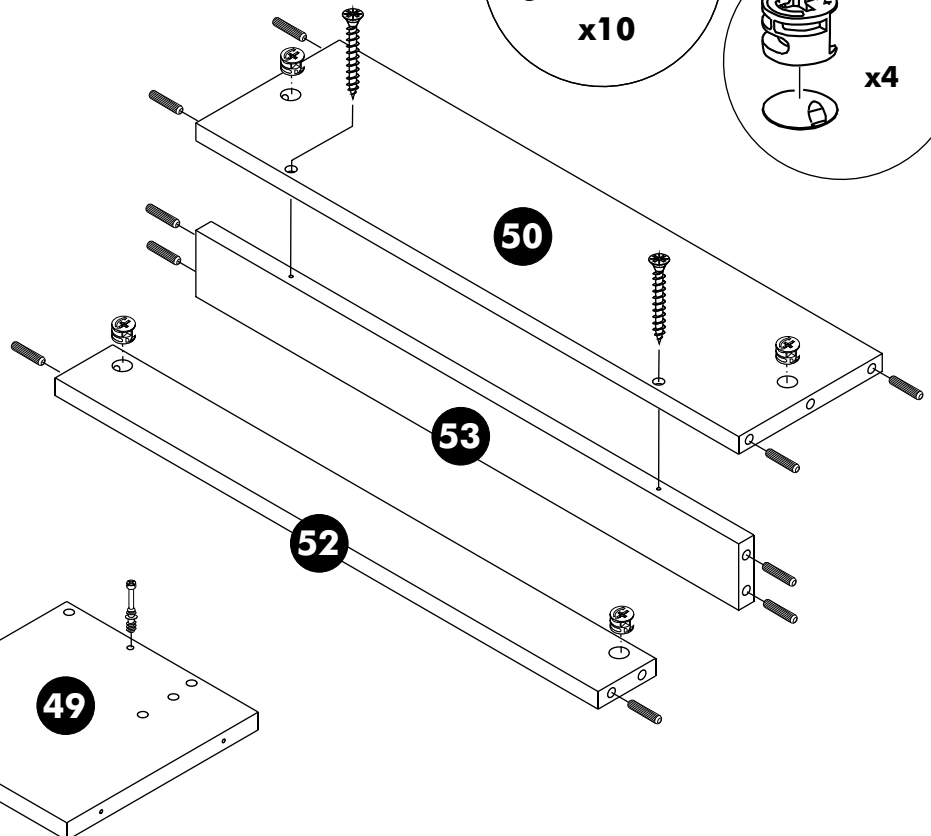
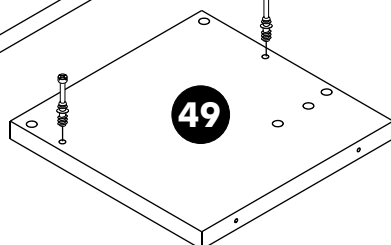
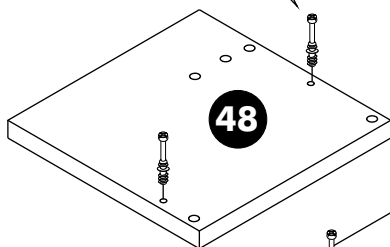
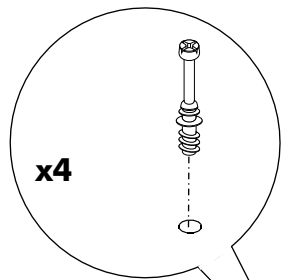
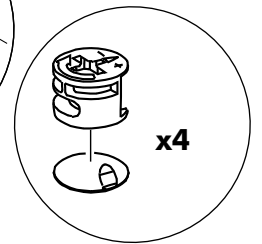
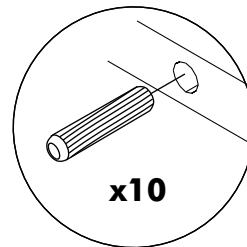
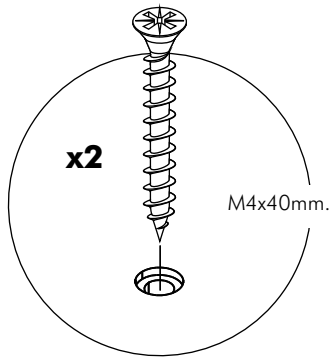
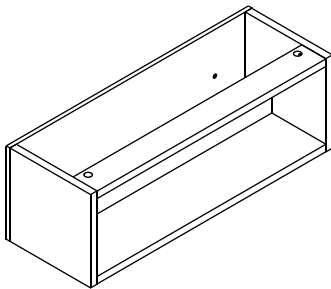
14.



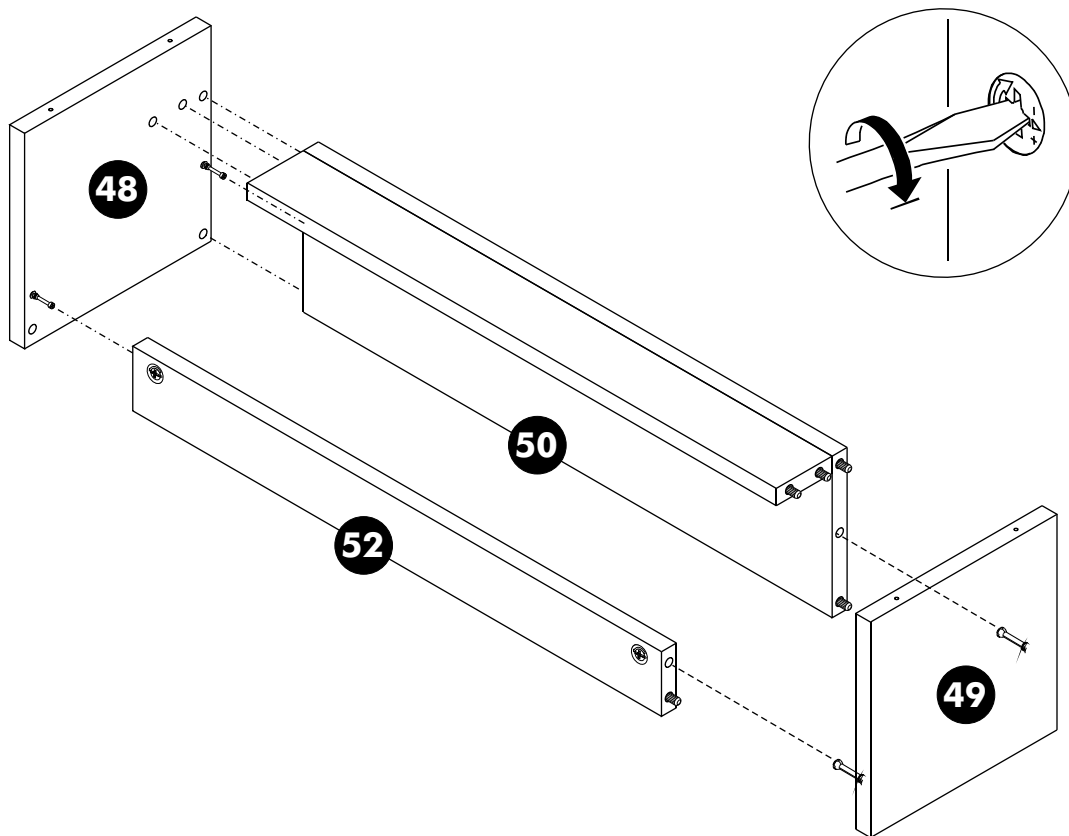
15.



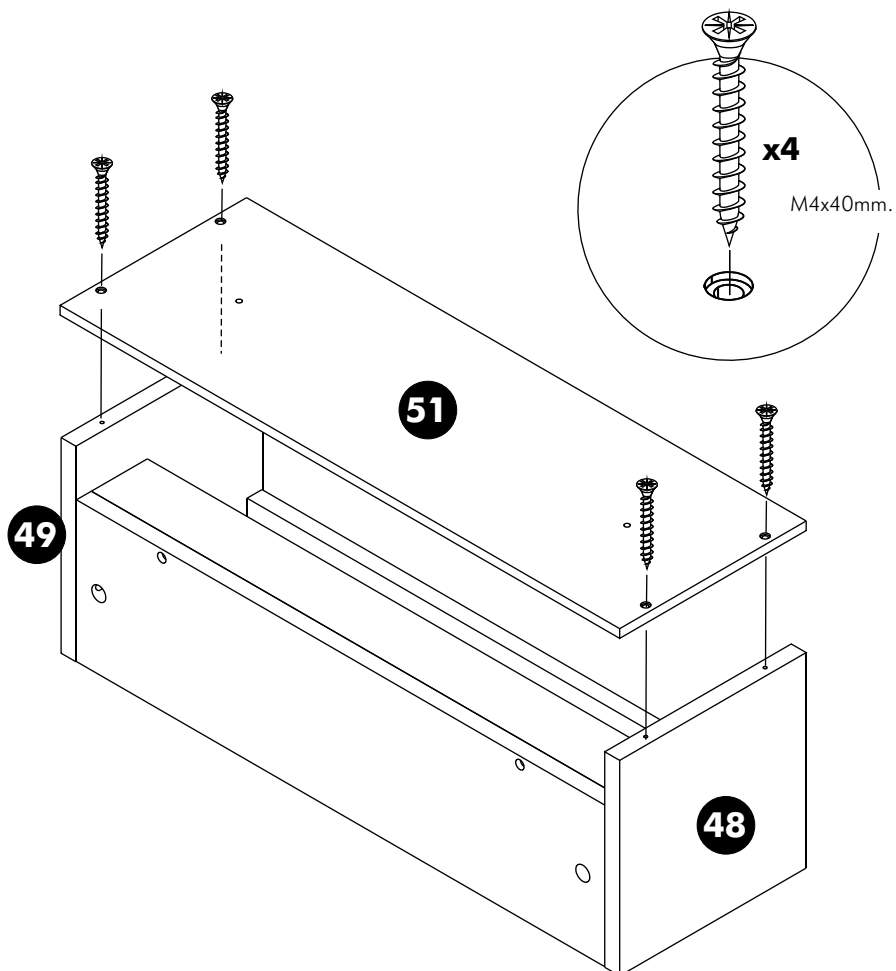
16.



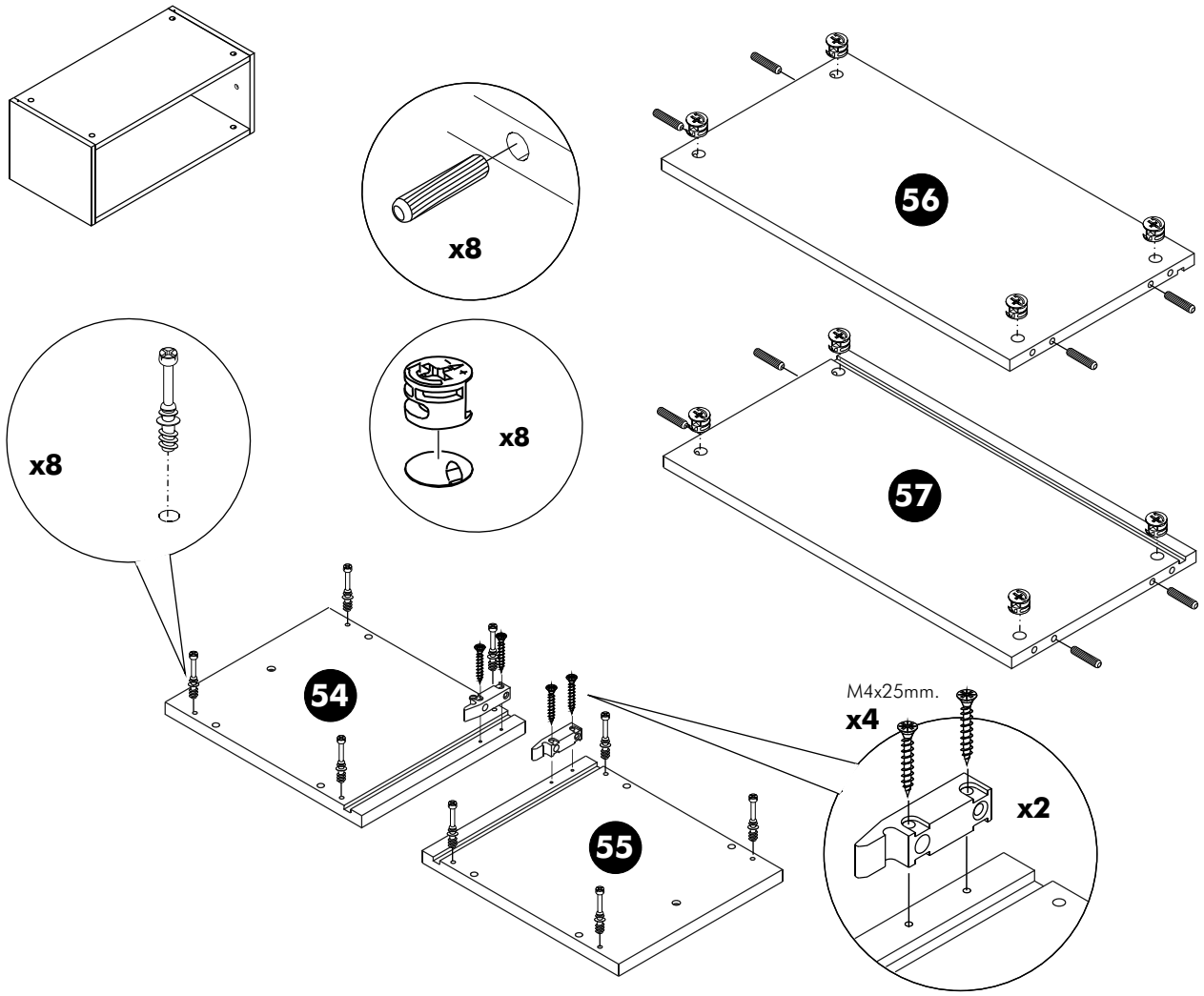
17.



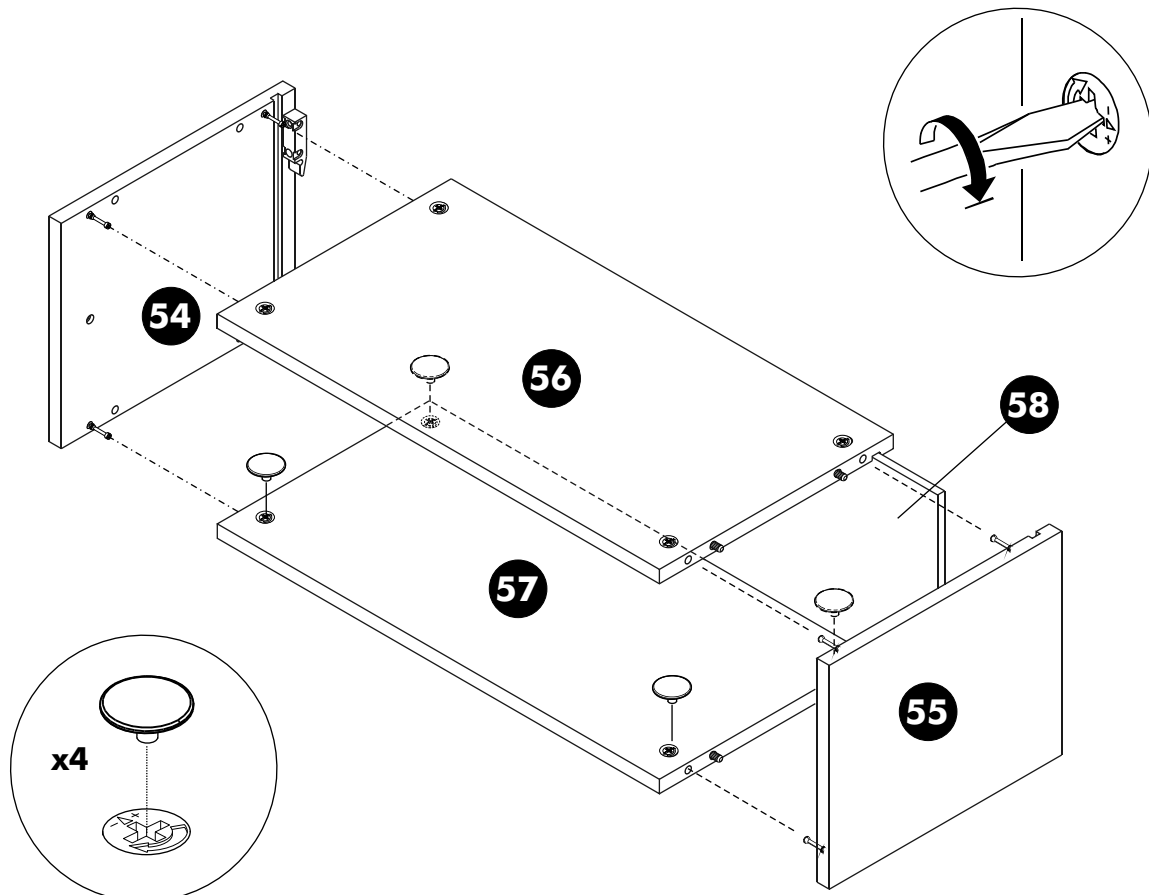
18.



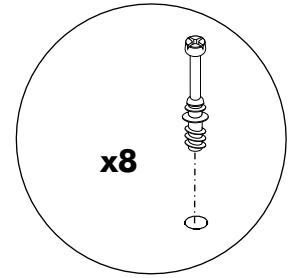
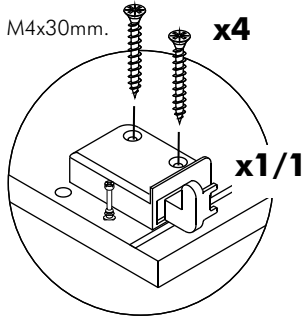
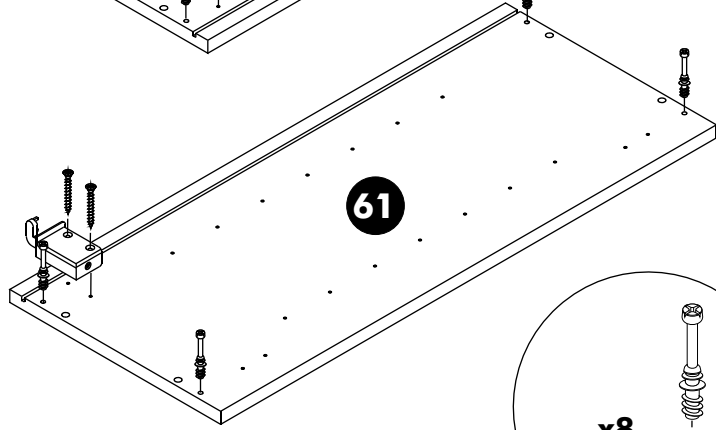
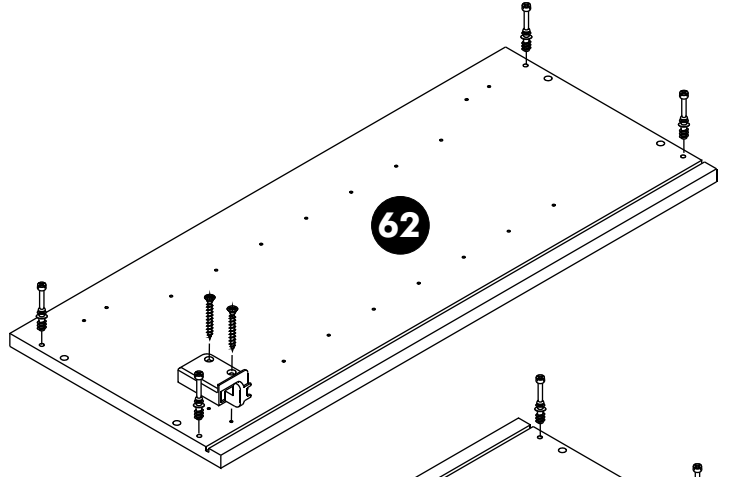
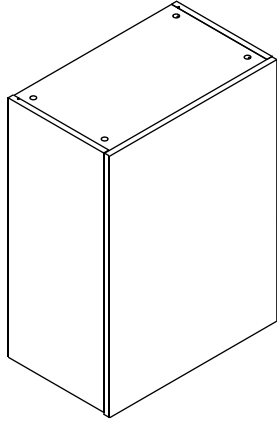
19.



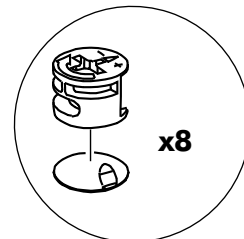
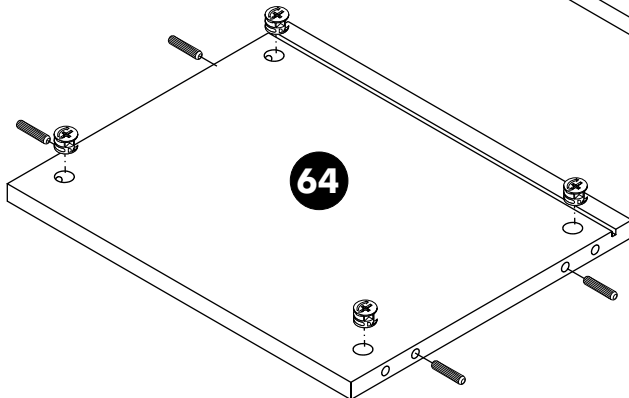
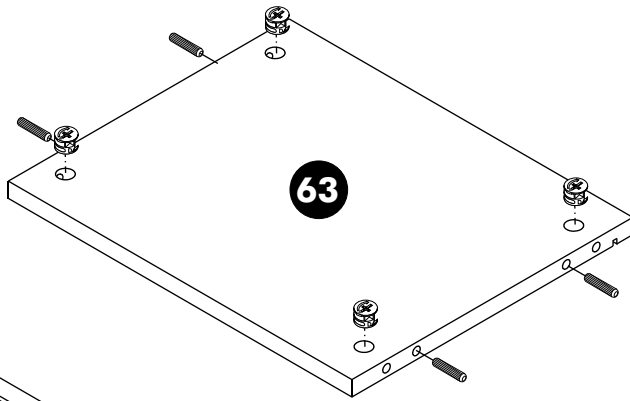
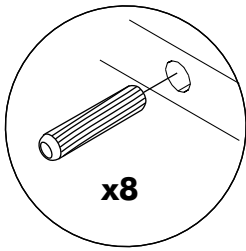
20.



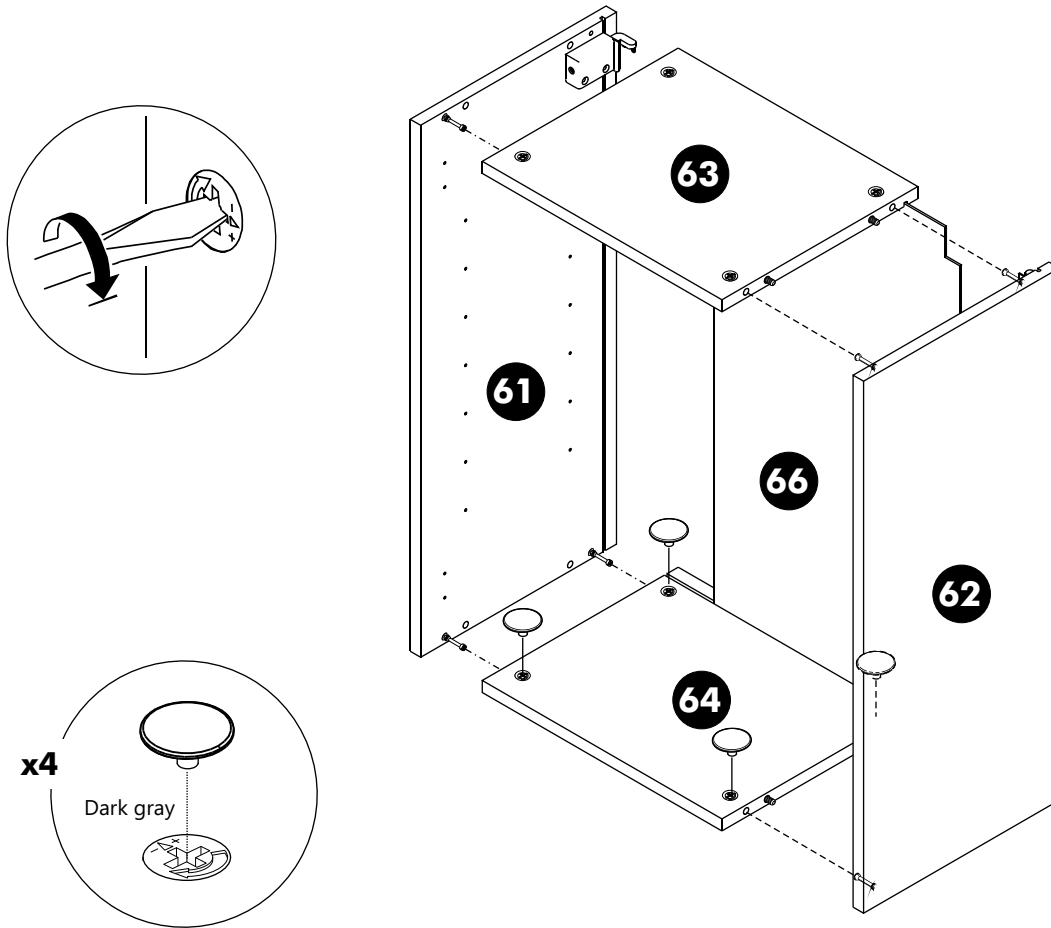
21.



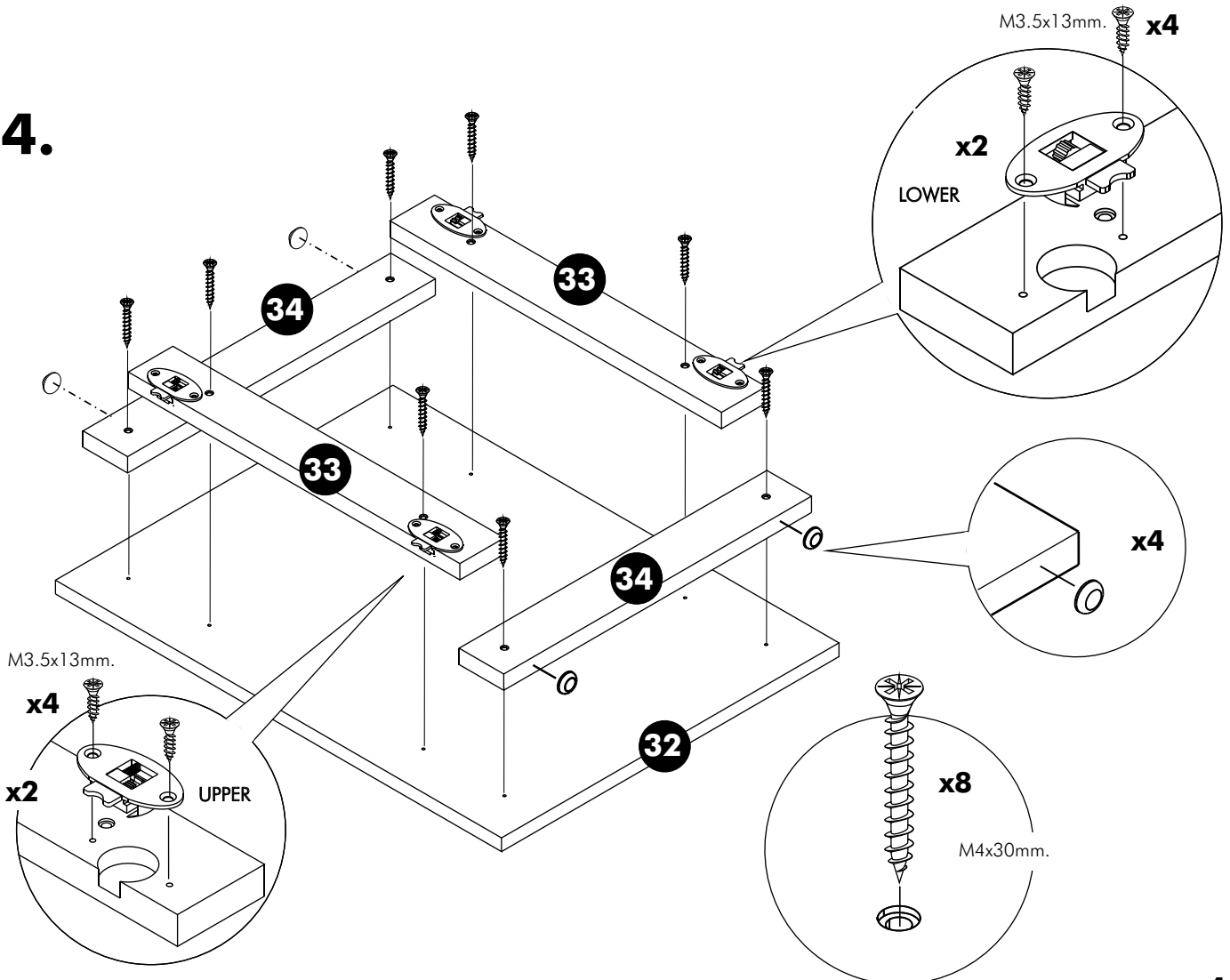
22.



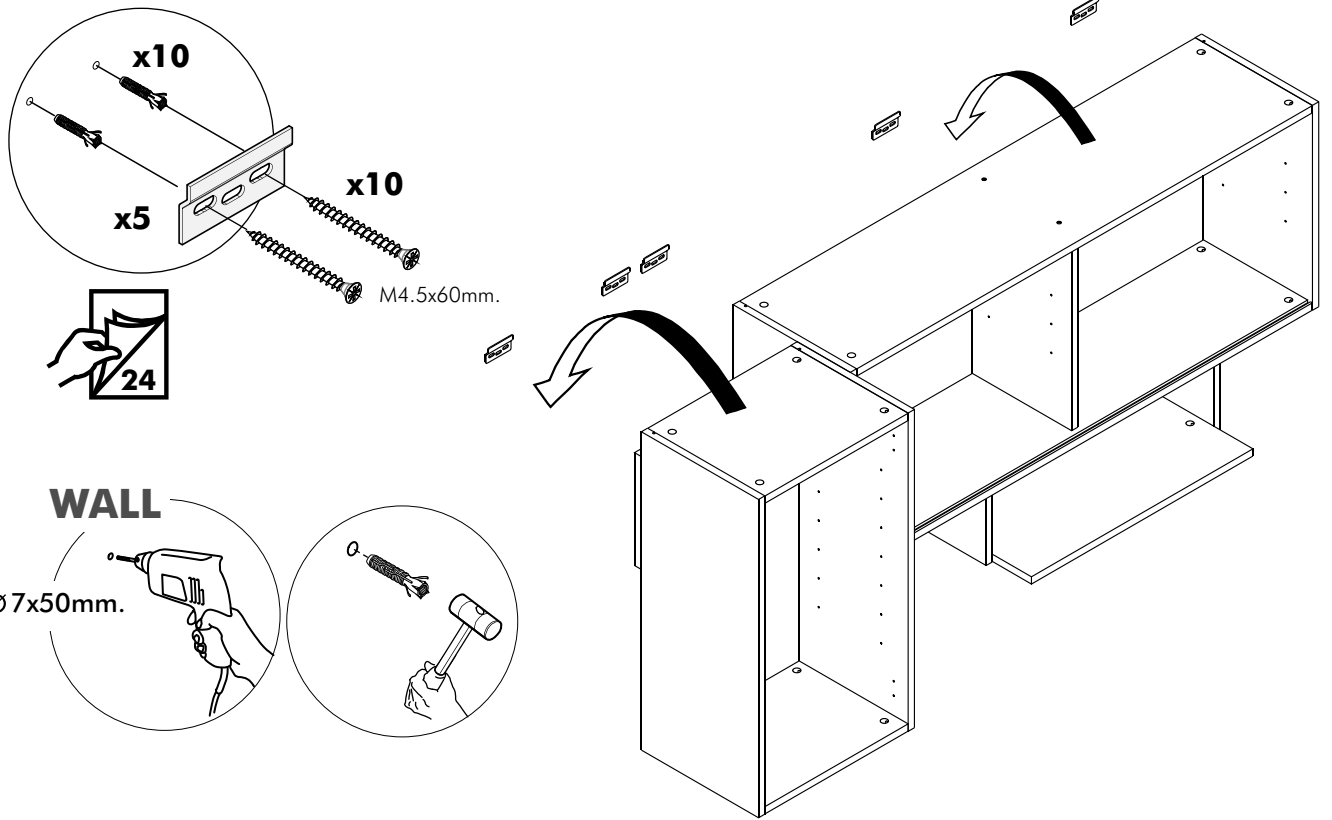
23.



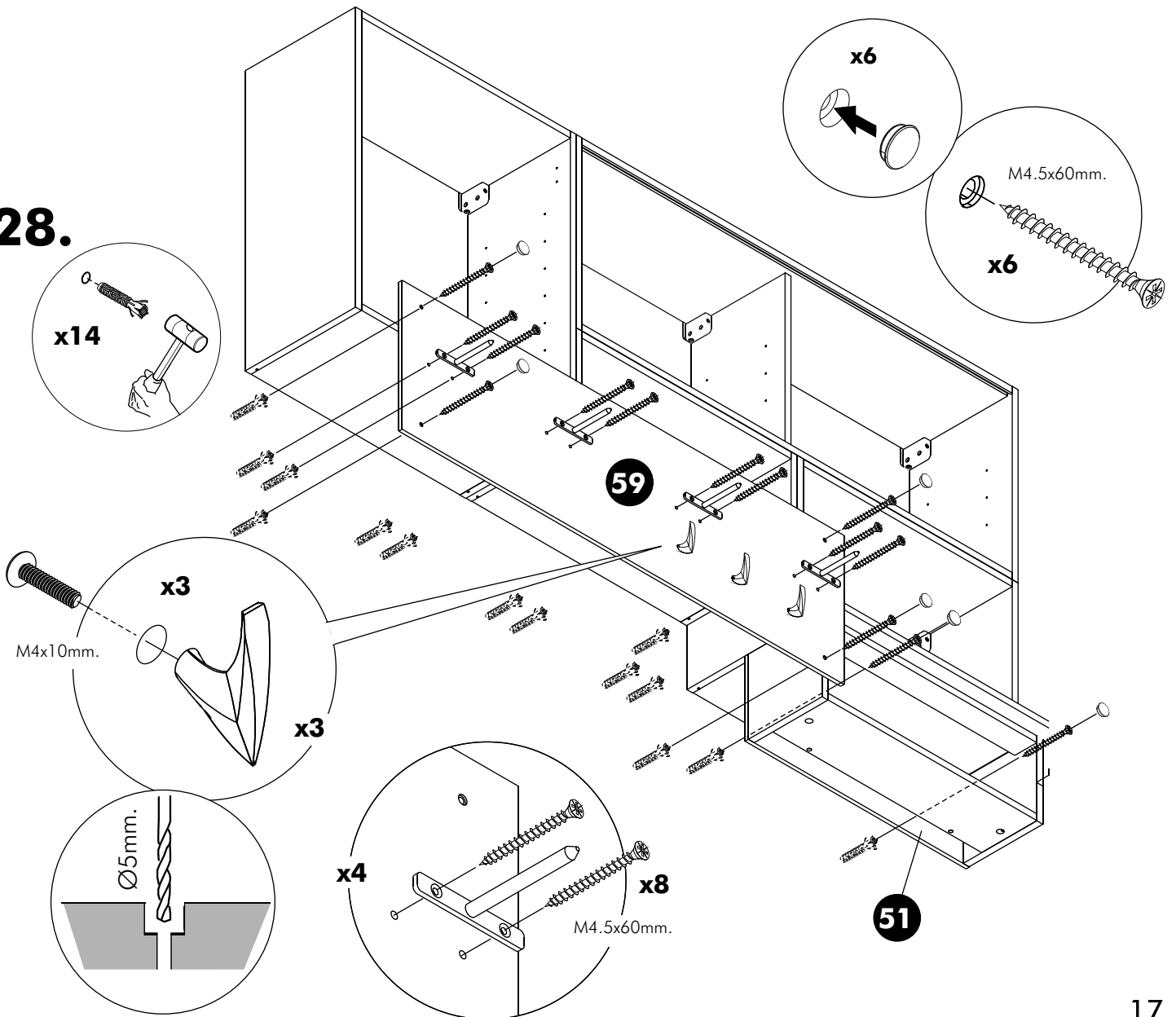
24.



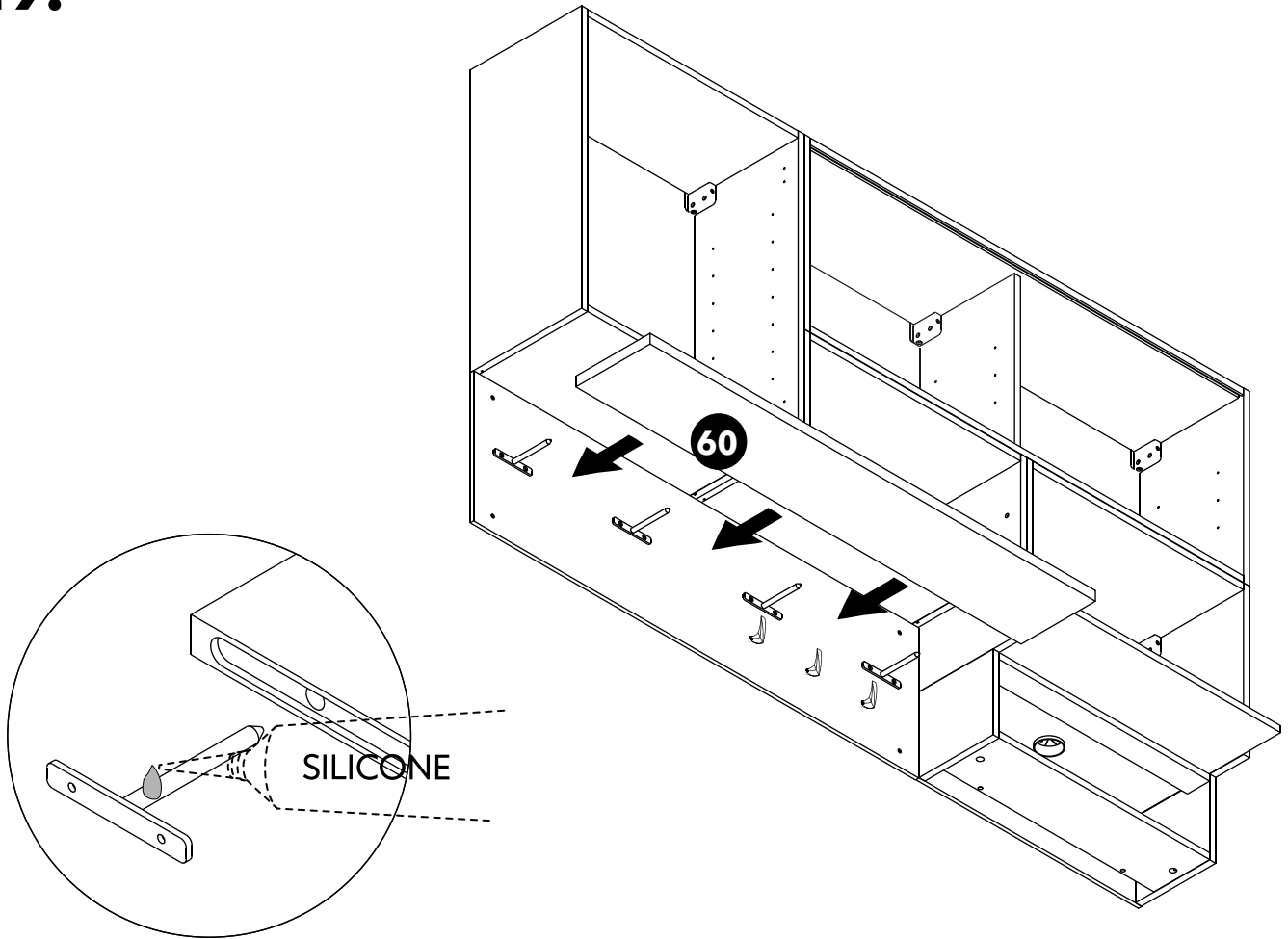
27.



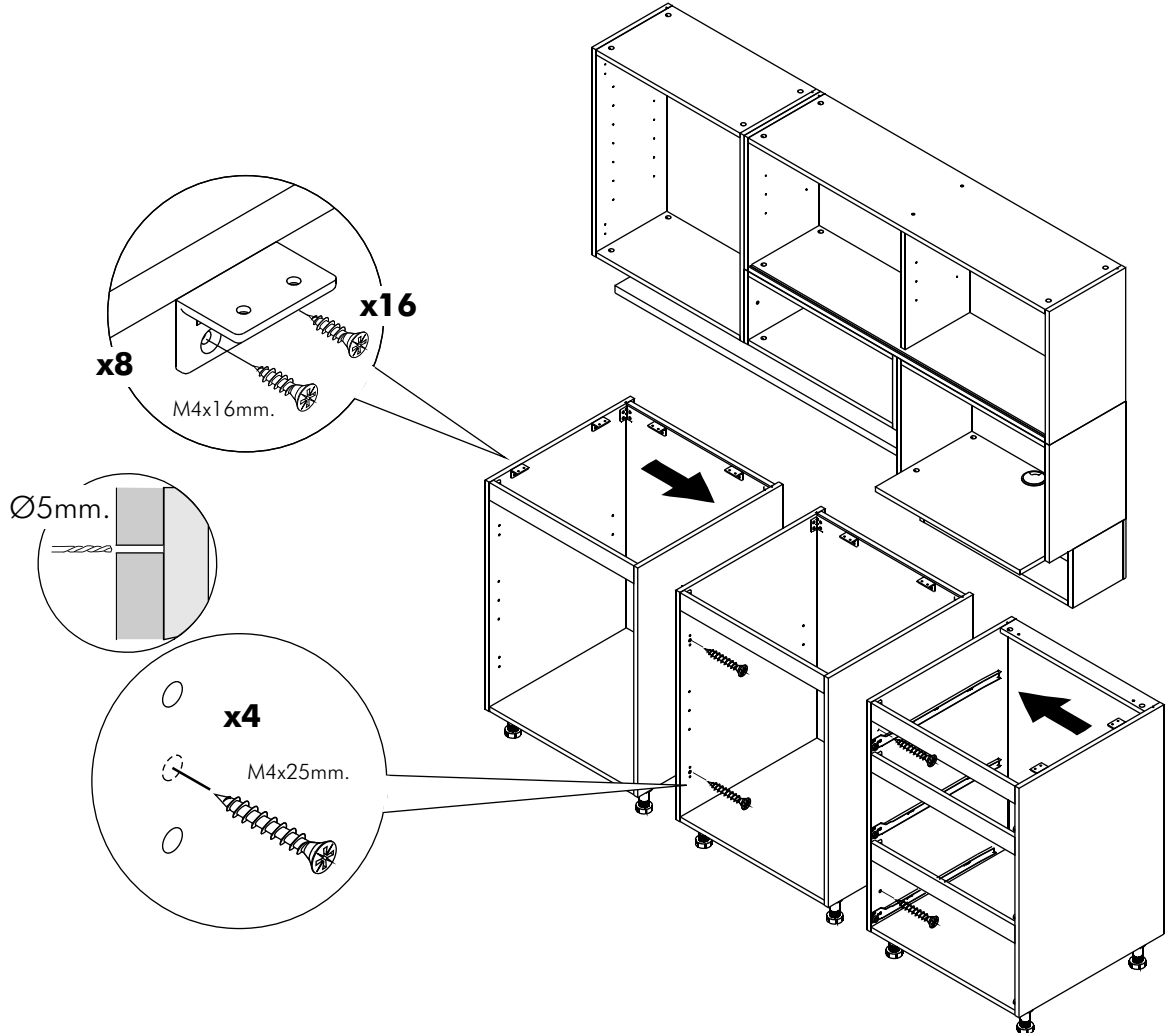
28.



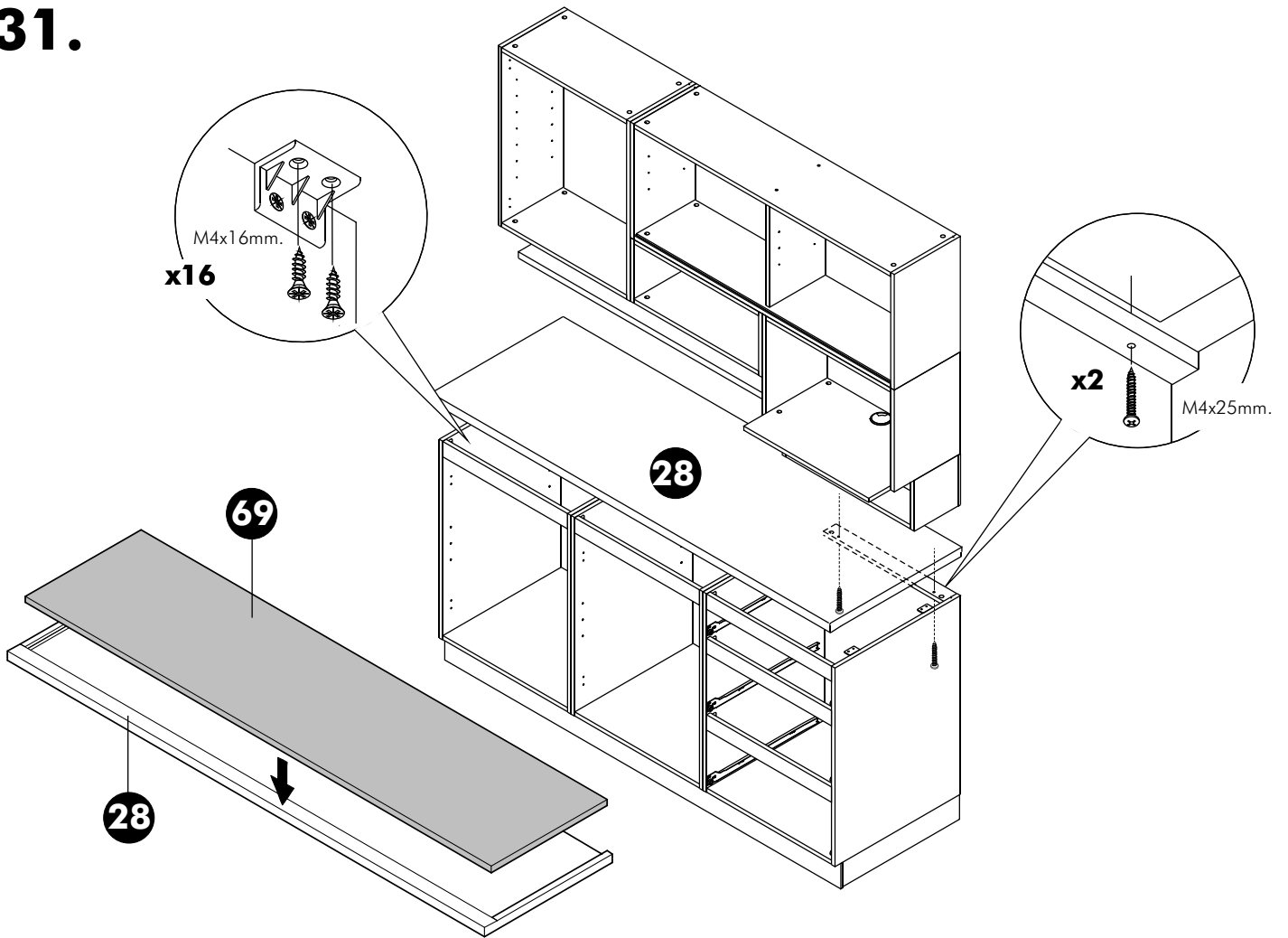
29.



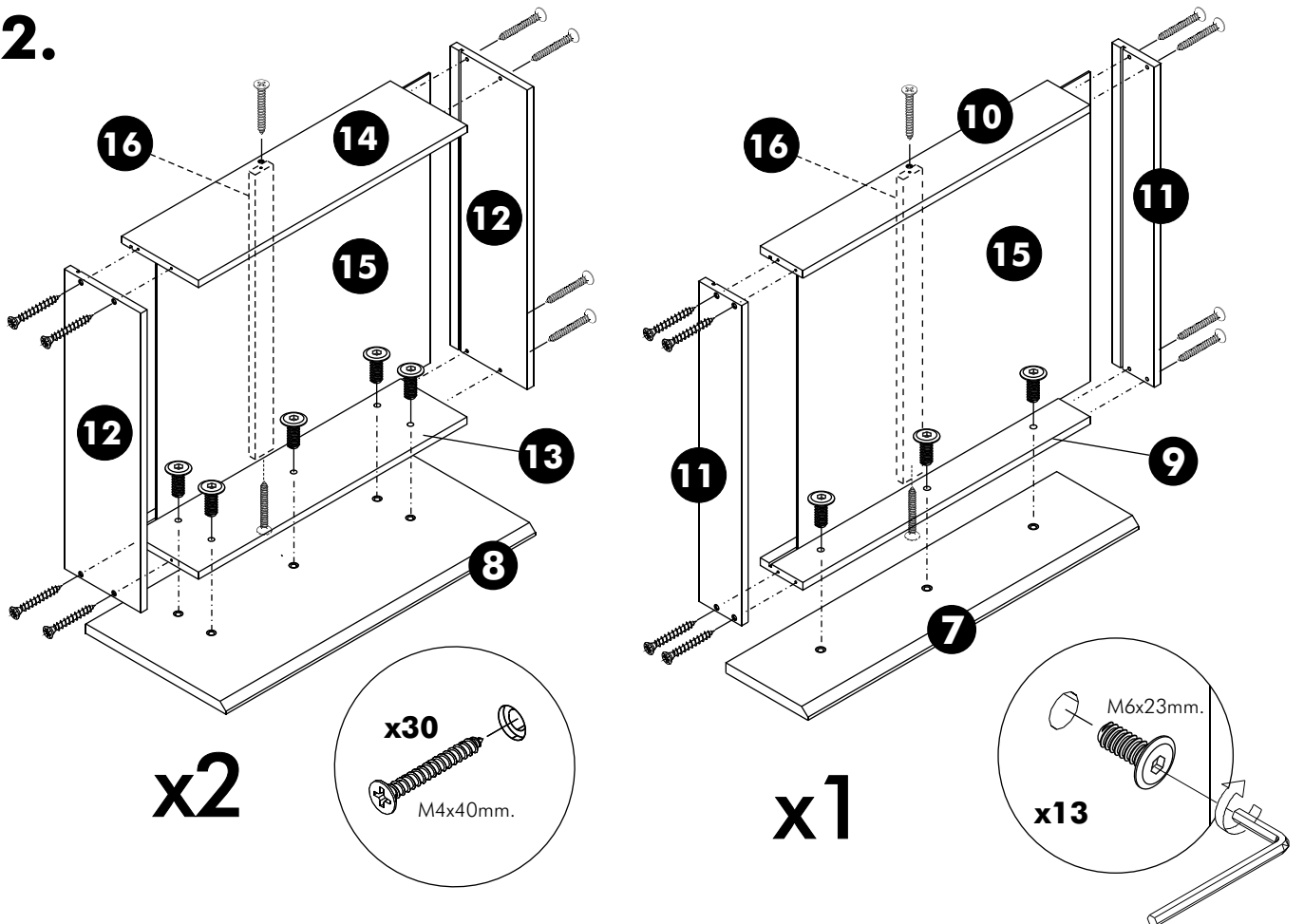
30.



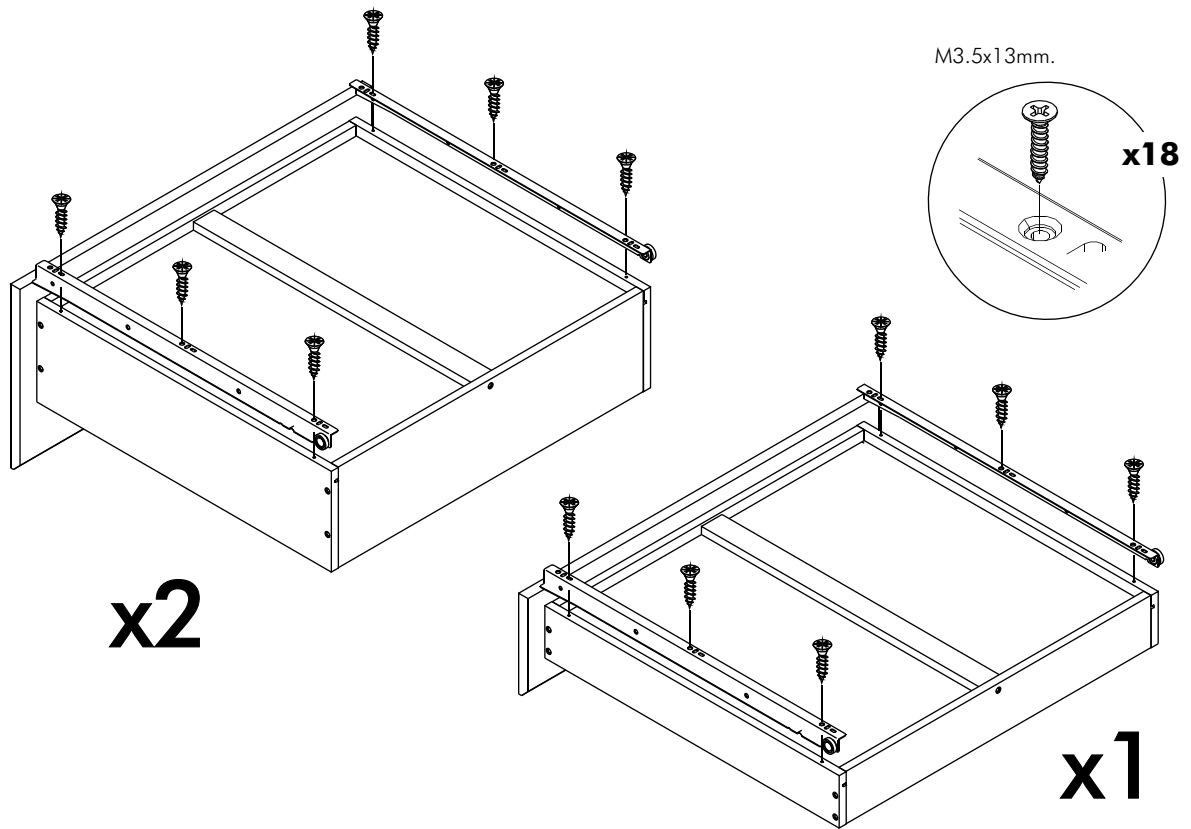
31.



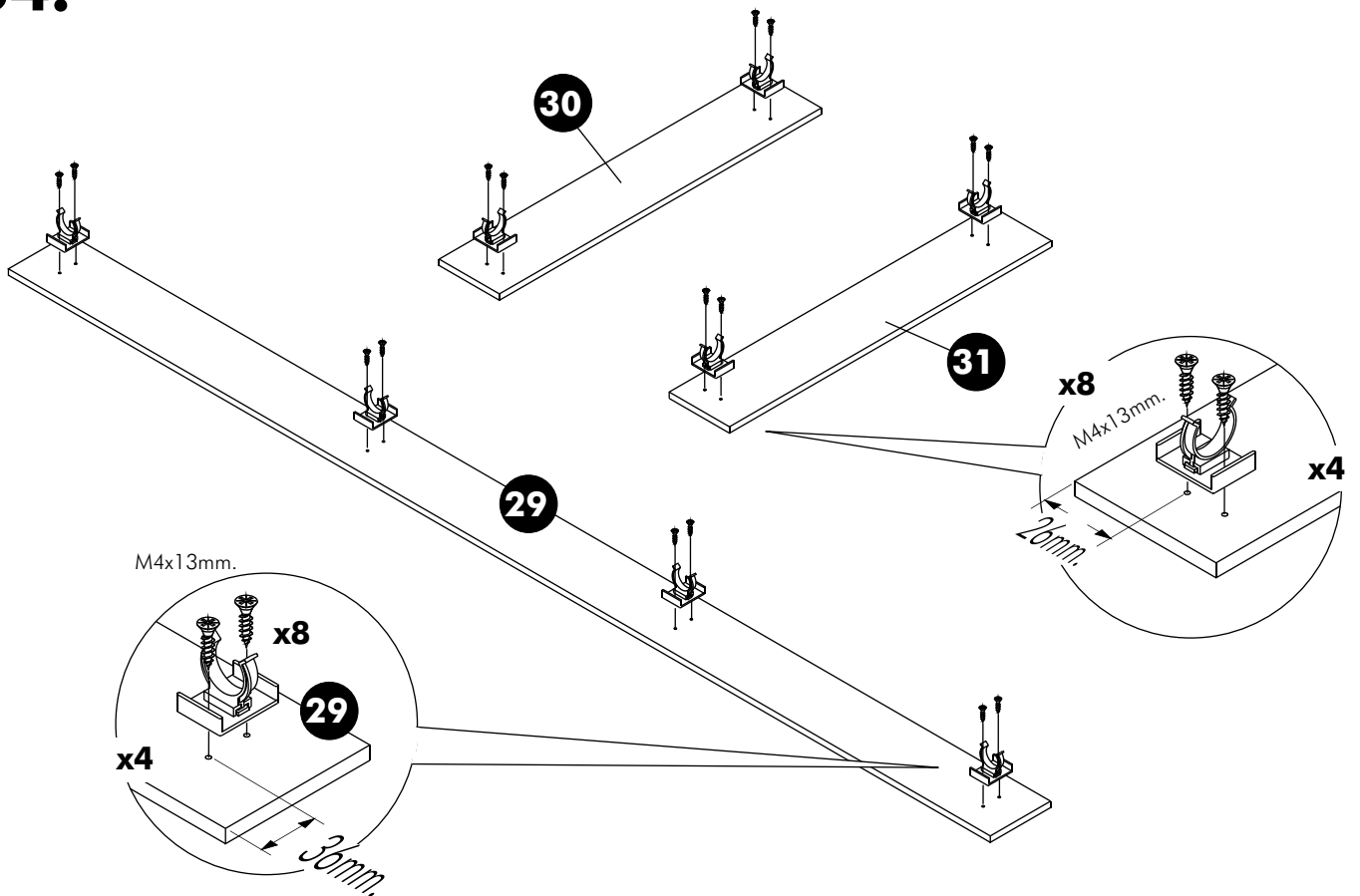
32.



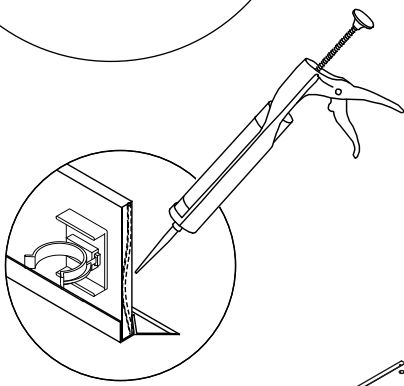
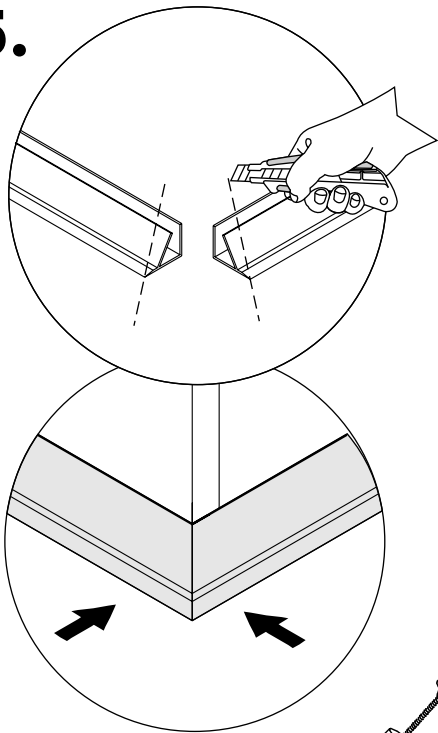
33.



34.



35.



30

29

31

36.

x2

M4x25mm.

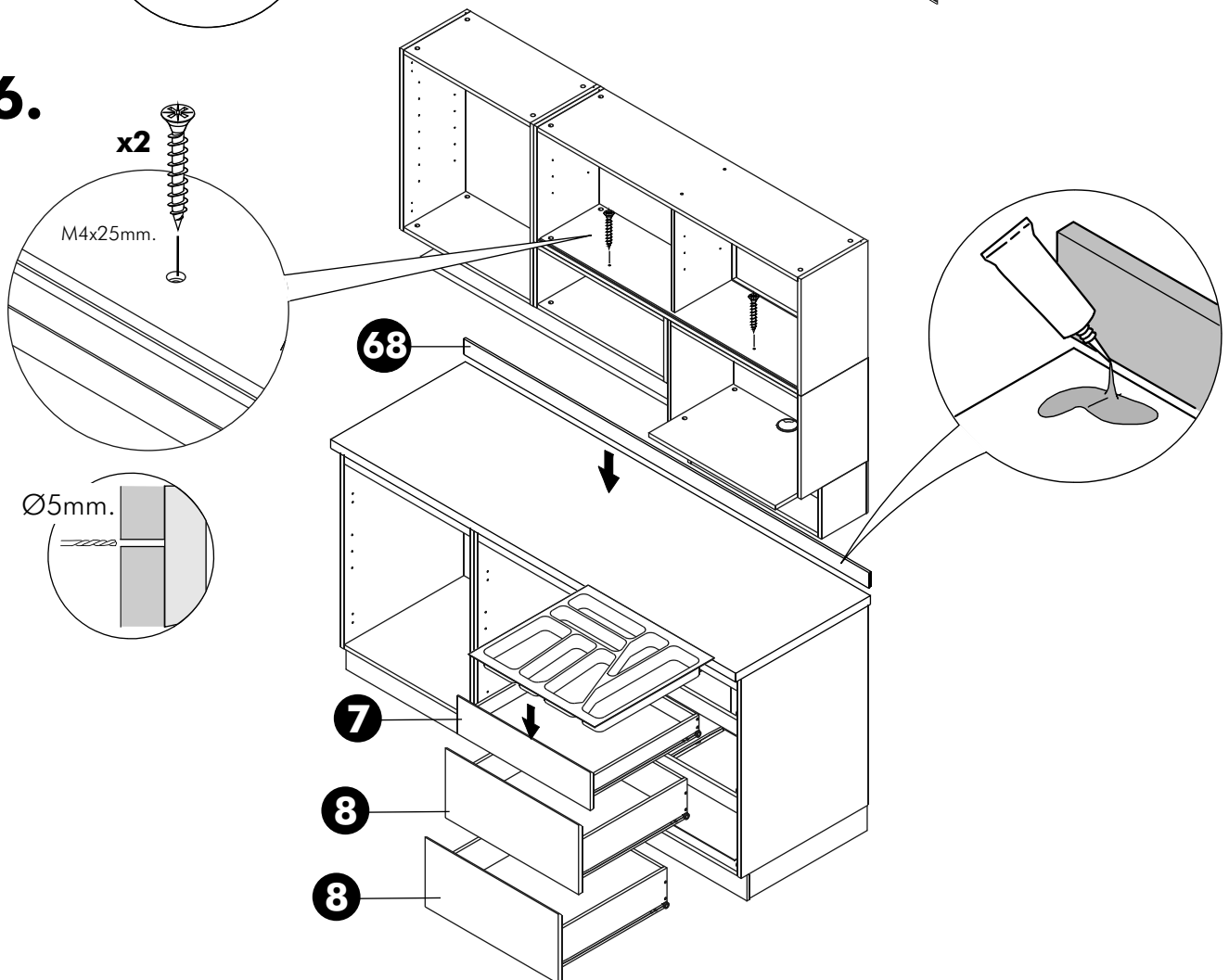
Ø5mm.

68

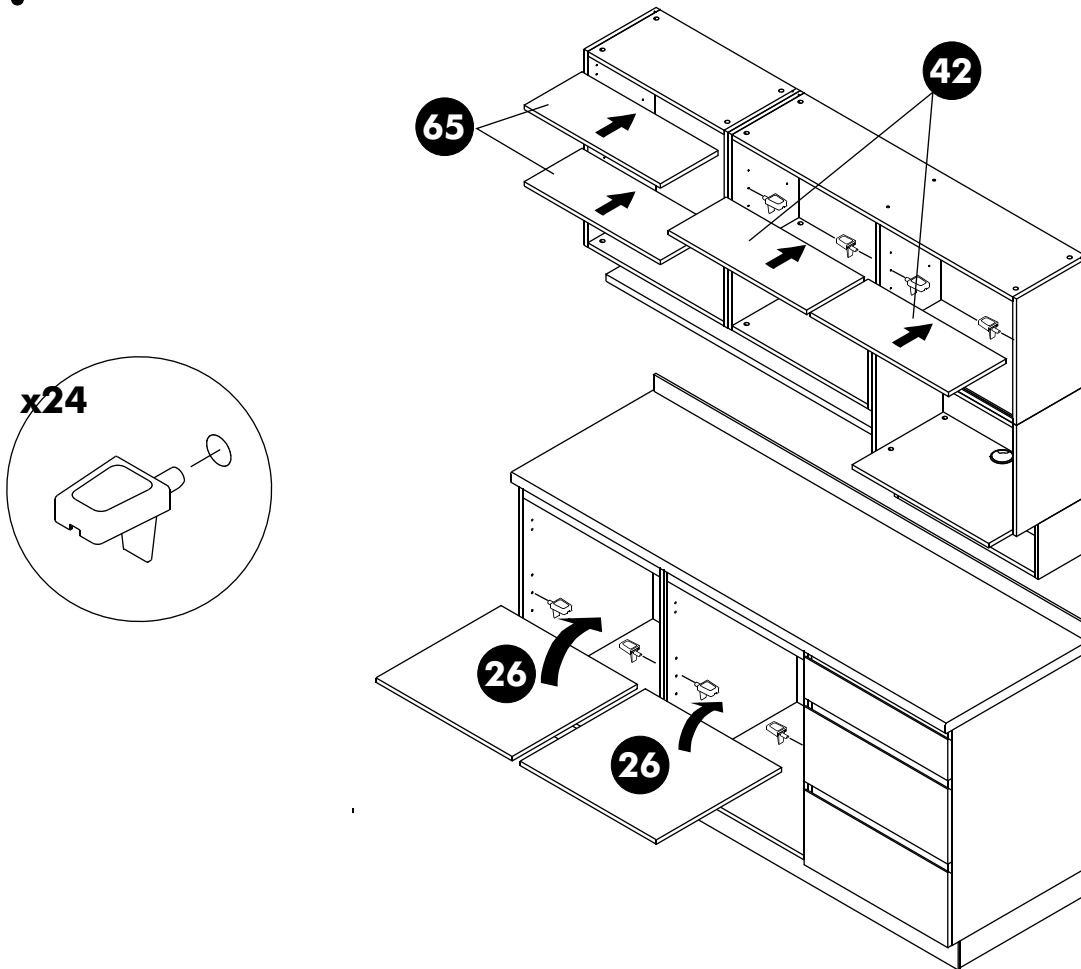
7

8

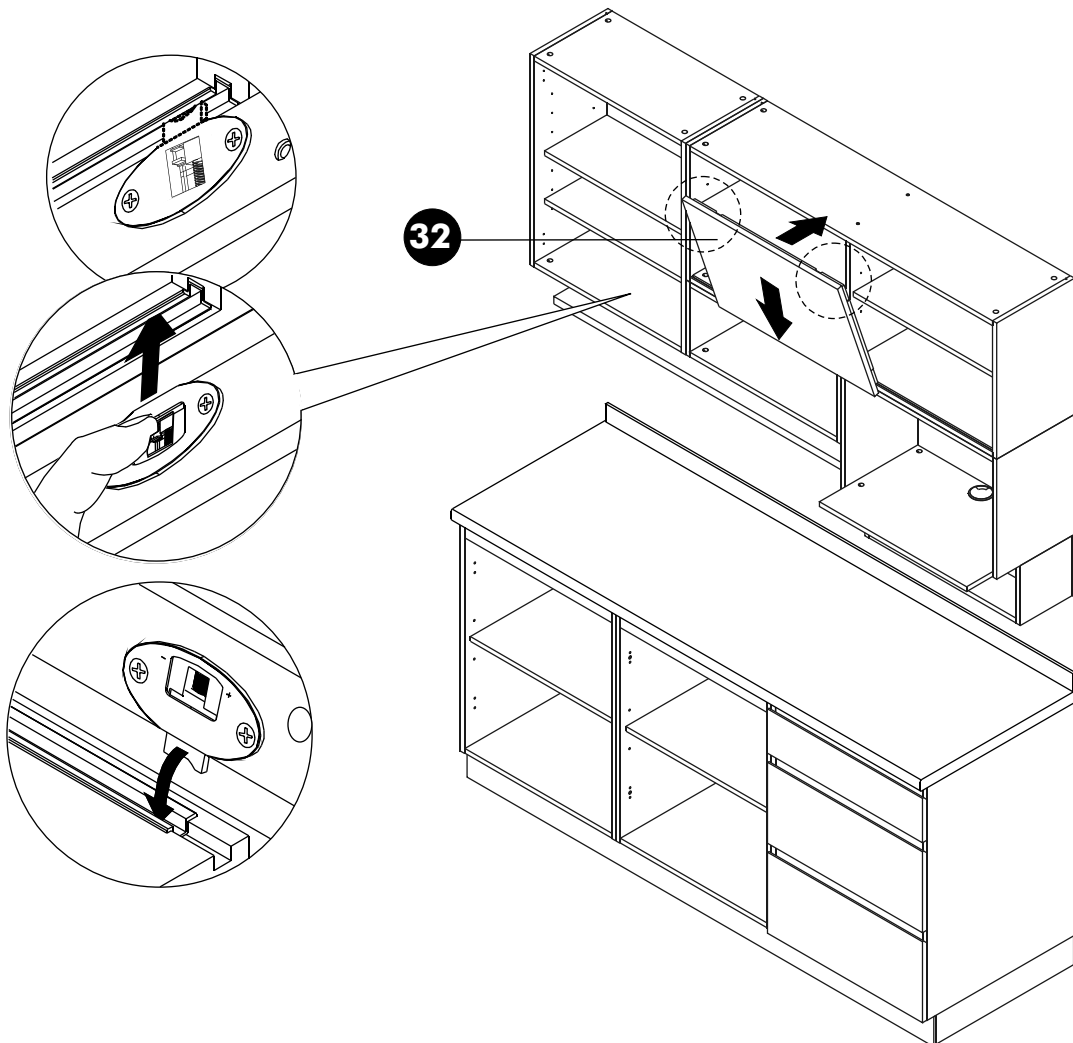
8



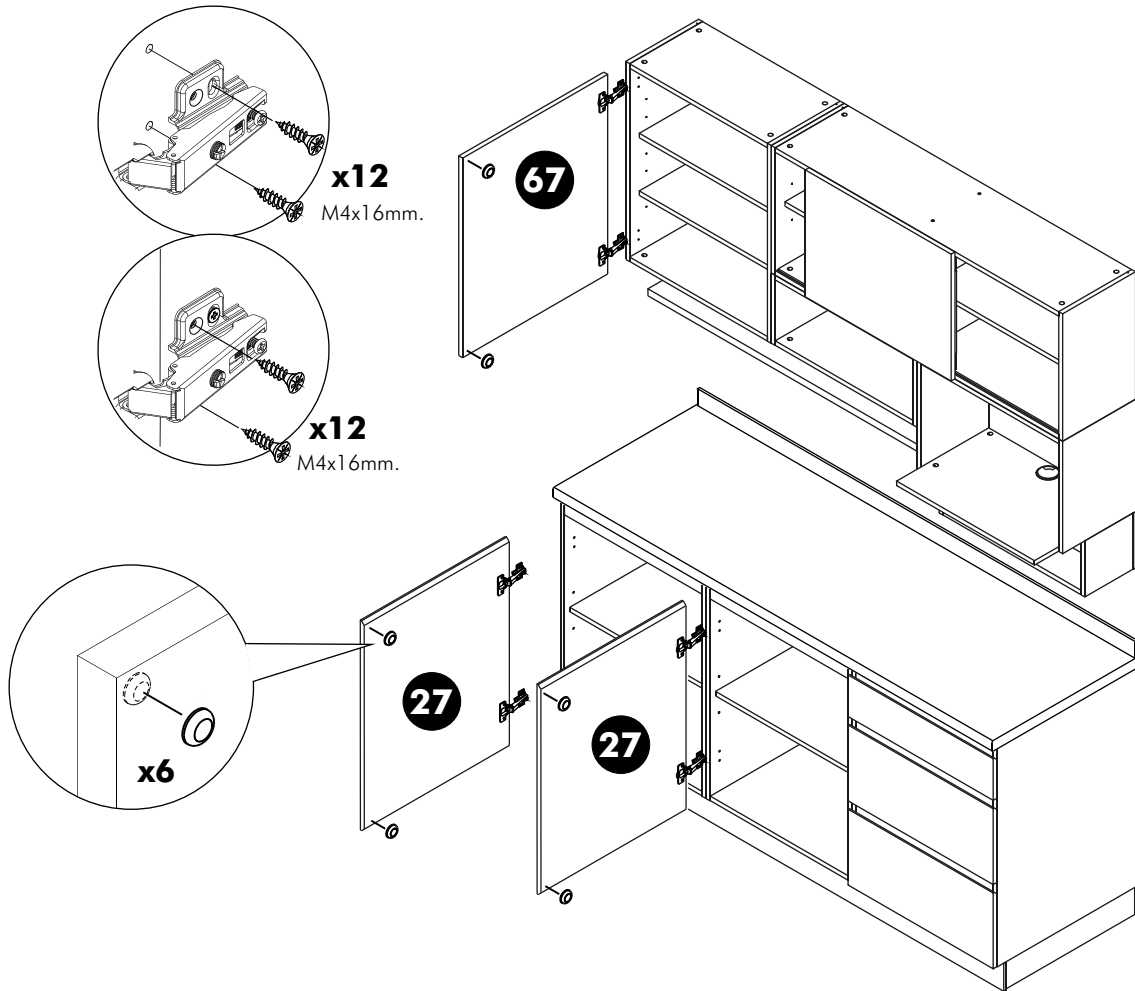
37.



38.



39.



40.

