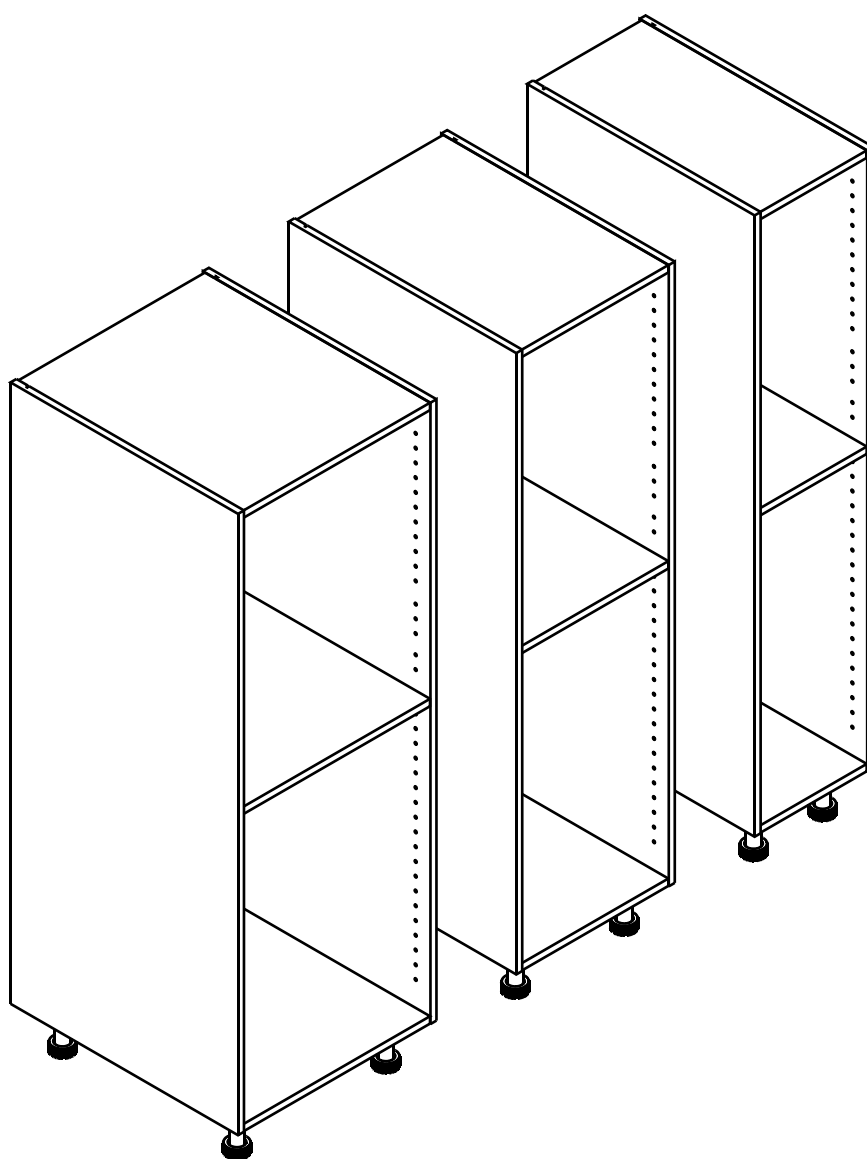


# SMART KIT

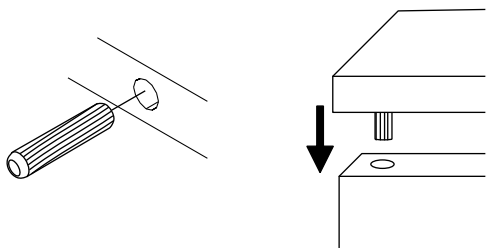
**High Cabinet W300-400xH1347**

**High Cabinet W500xH1347**

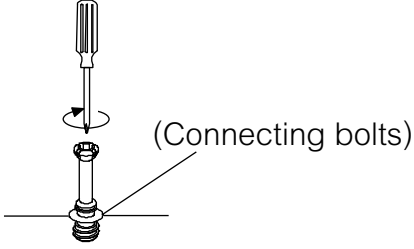


# CONNECT SYSTEM

**1**

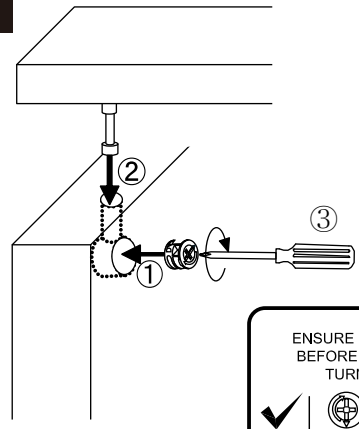


**2**





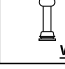



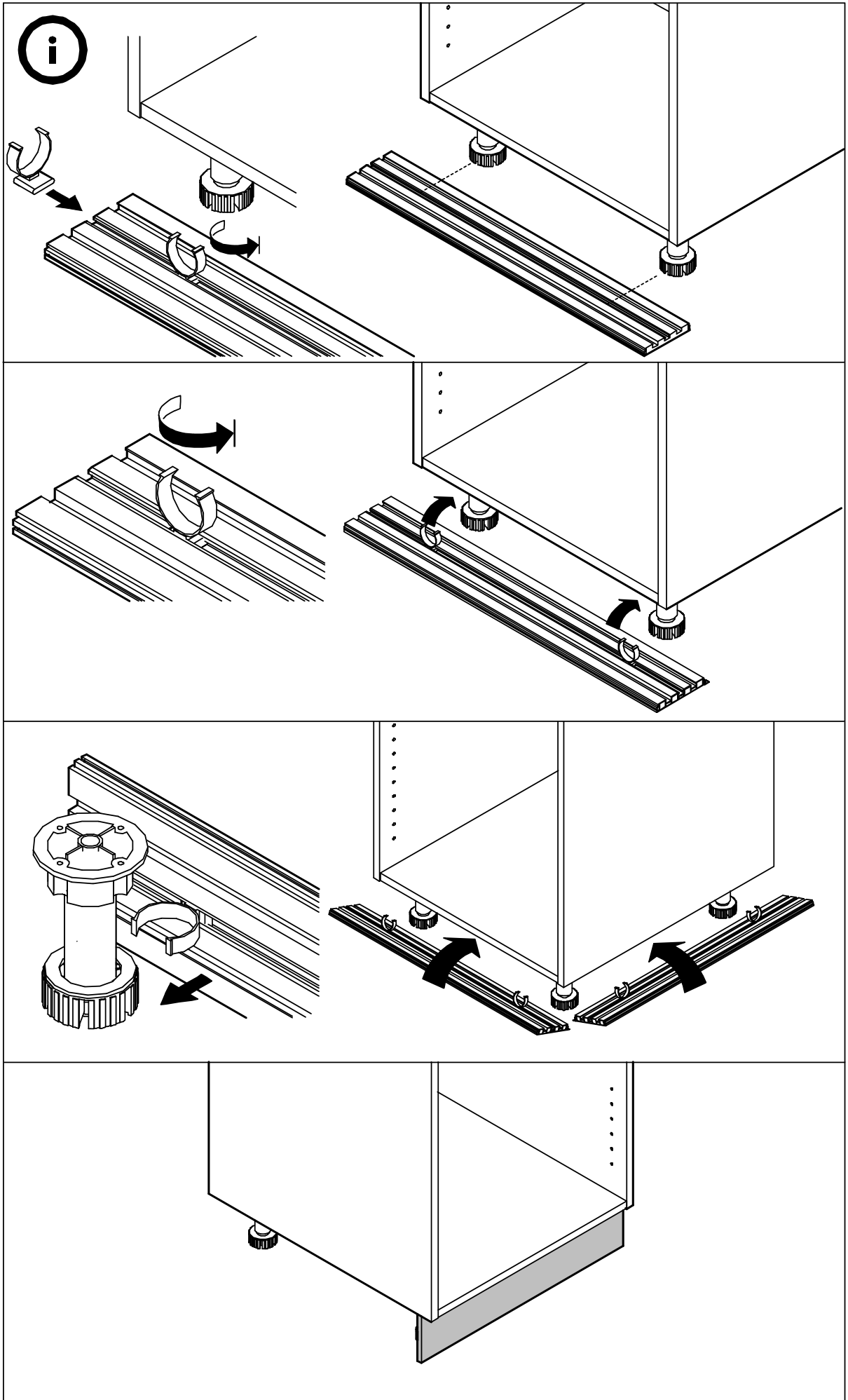
(Connecting bolts)

**3**



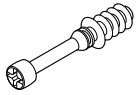
**WHEN FITTING CAMS**  
ENSURE STARTING POSITION IS CORRECT  
BEFORE YOU INSERT CONNECTING BOLT  
TURN CLOCKWISE UNTIL SECURE

✓				✗
				
	<b>CORRECT</b>	<b>WRONG</b>		



# HARDWARE

## -BODY SET

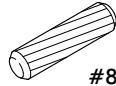


**x 8**



16mm.

**x 8**

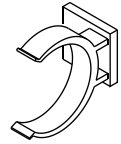


#8x35

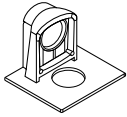
**x 12**



**x 4**



**x 2**



**x 4**



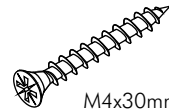
M5x12/8mm.

**x 4**



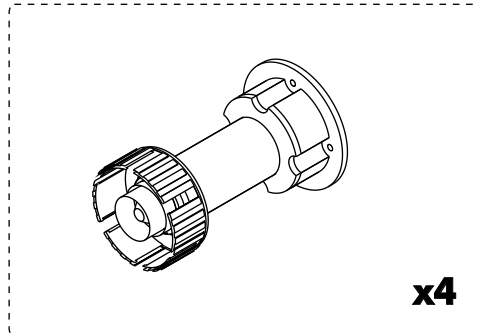
M4x16mm.

**x 16**



M4x30mm.

**x 4**

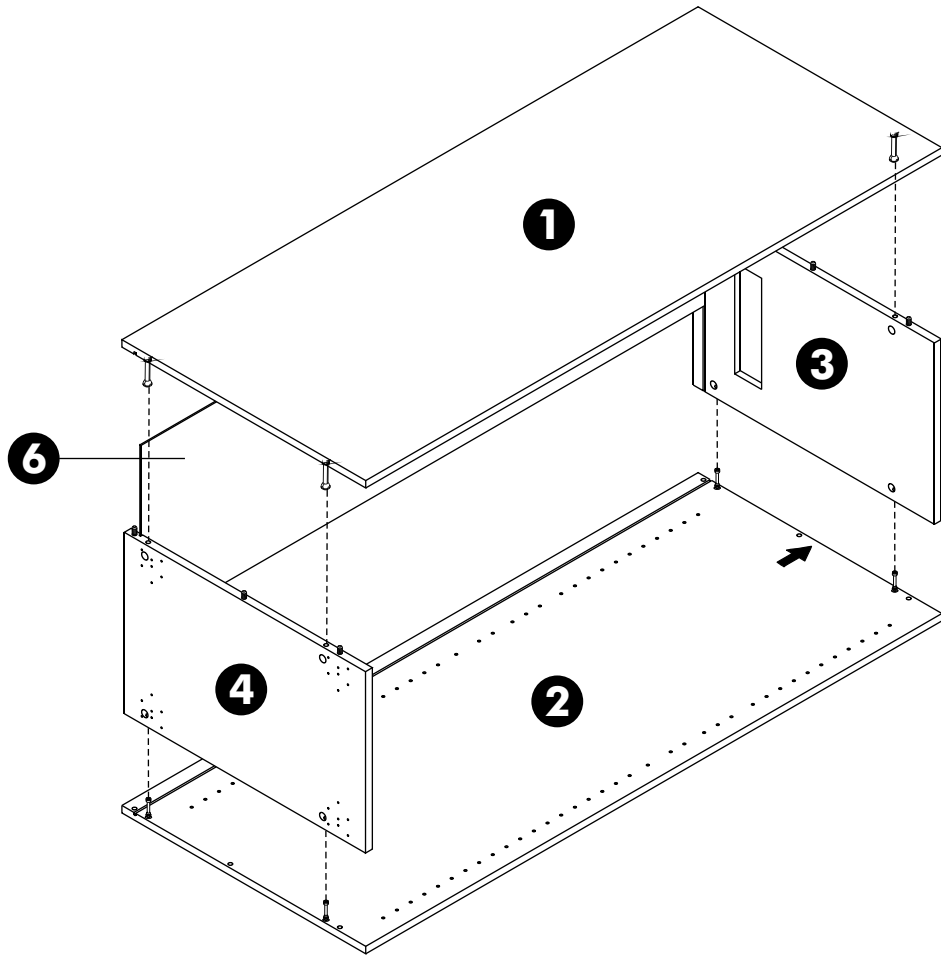


**x4**

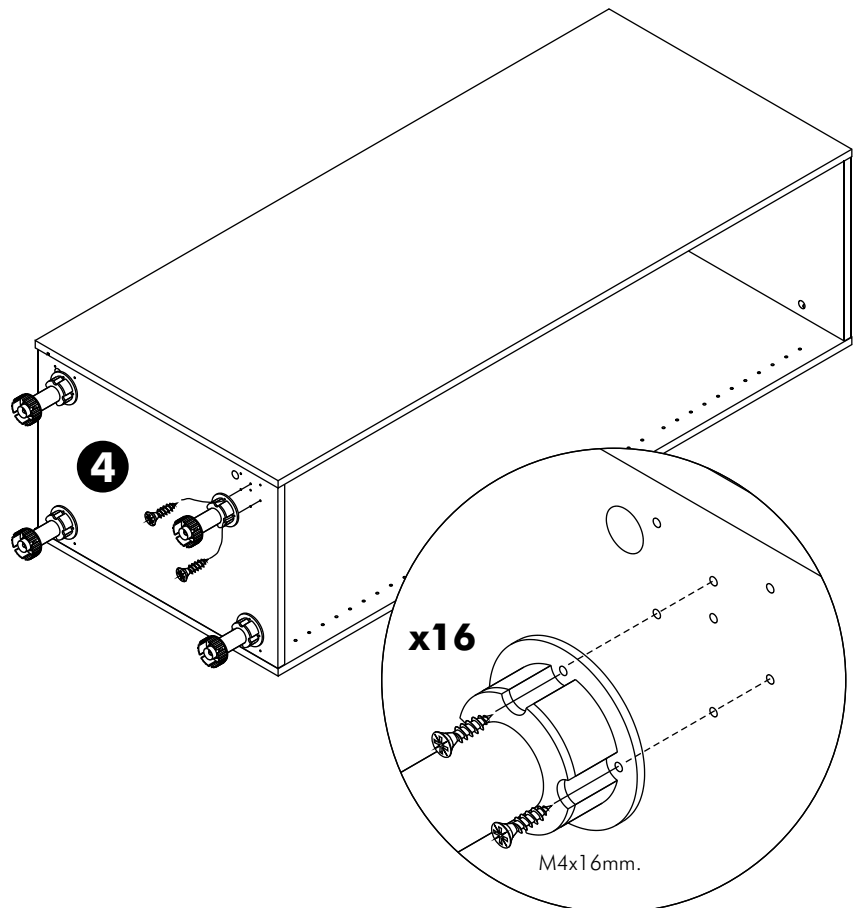
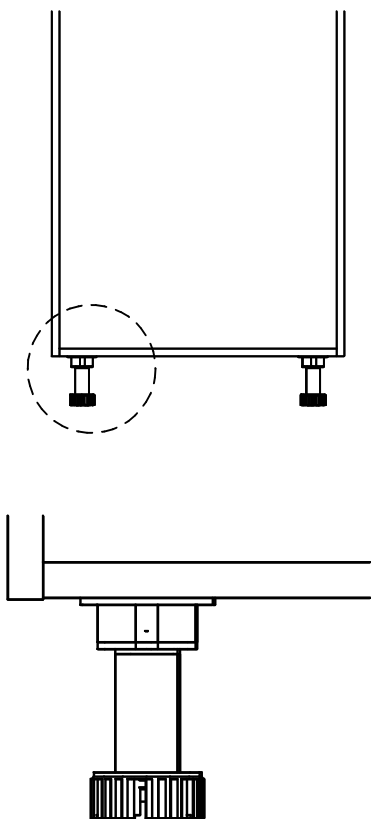
**ASSEMBLY**

-BODY SET

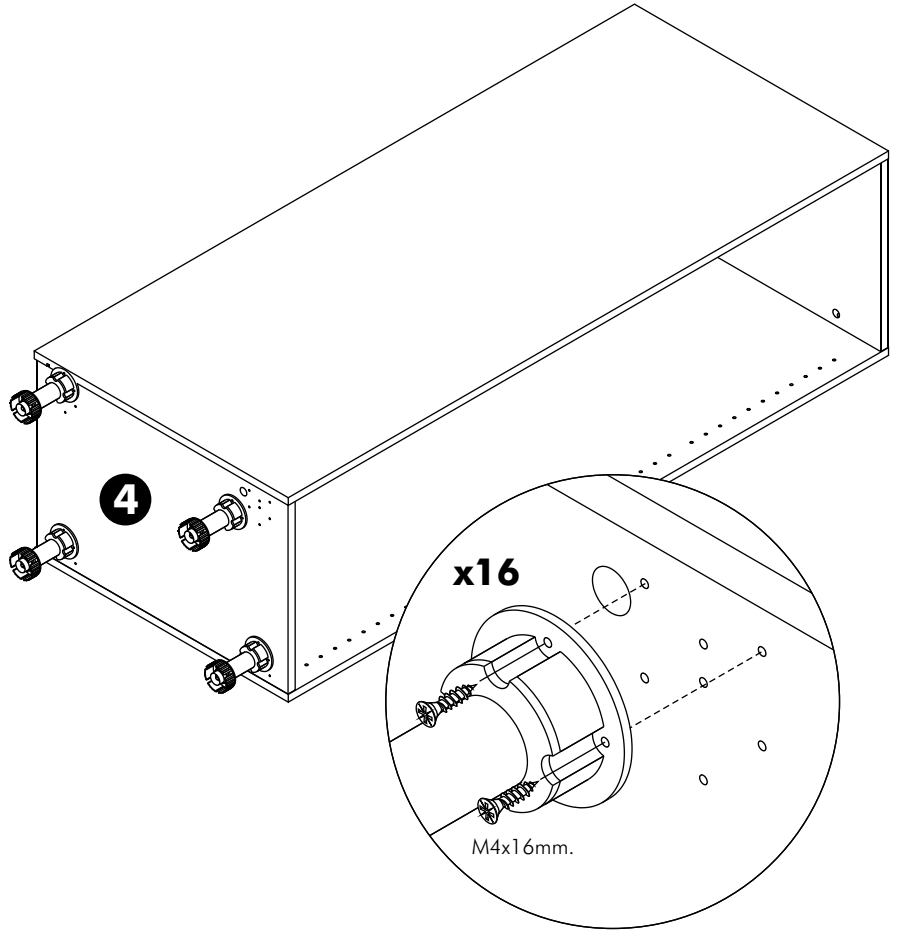
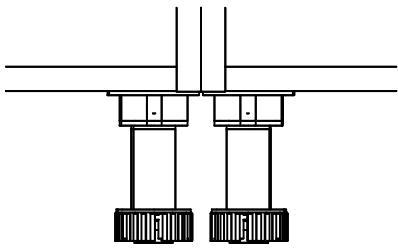
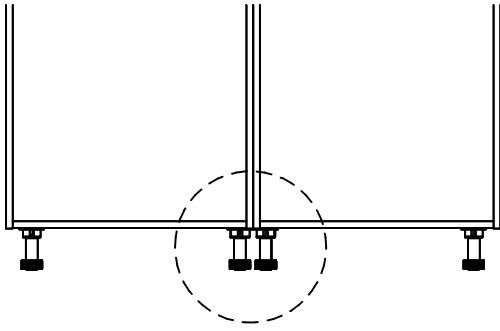
**1.**



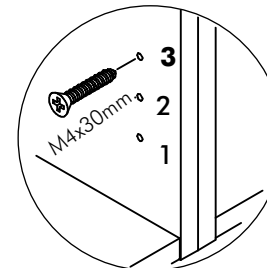
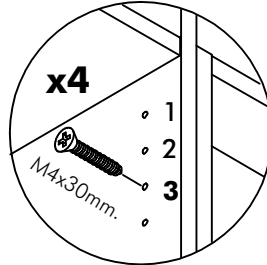
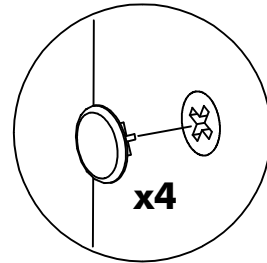
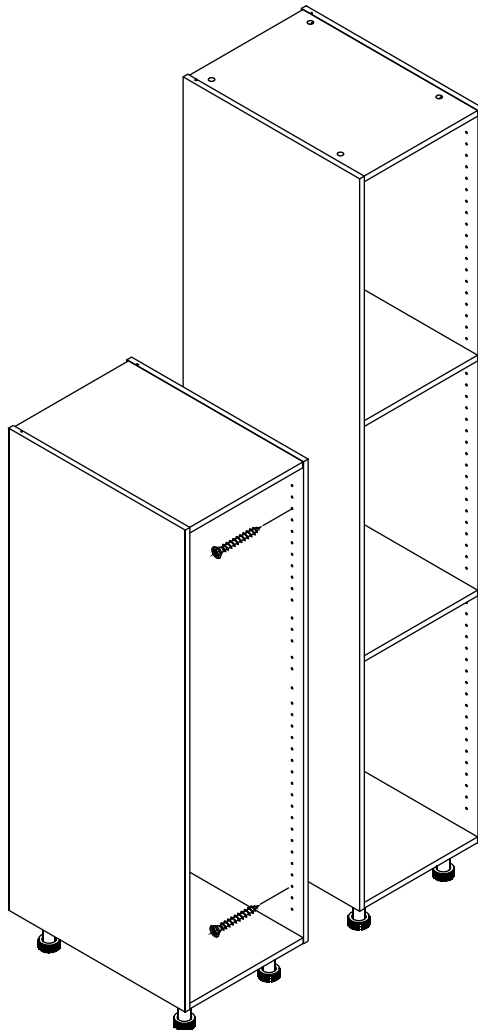
**2.(A)**



## 2.(B)



## 3.



4.

