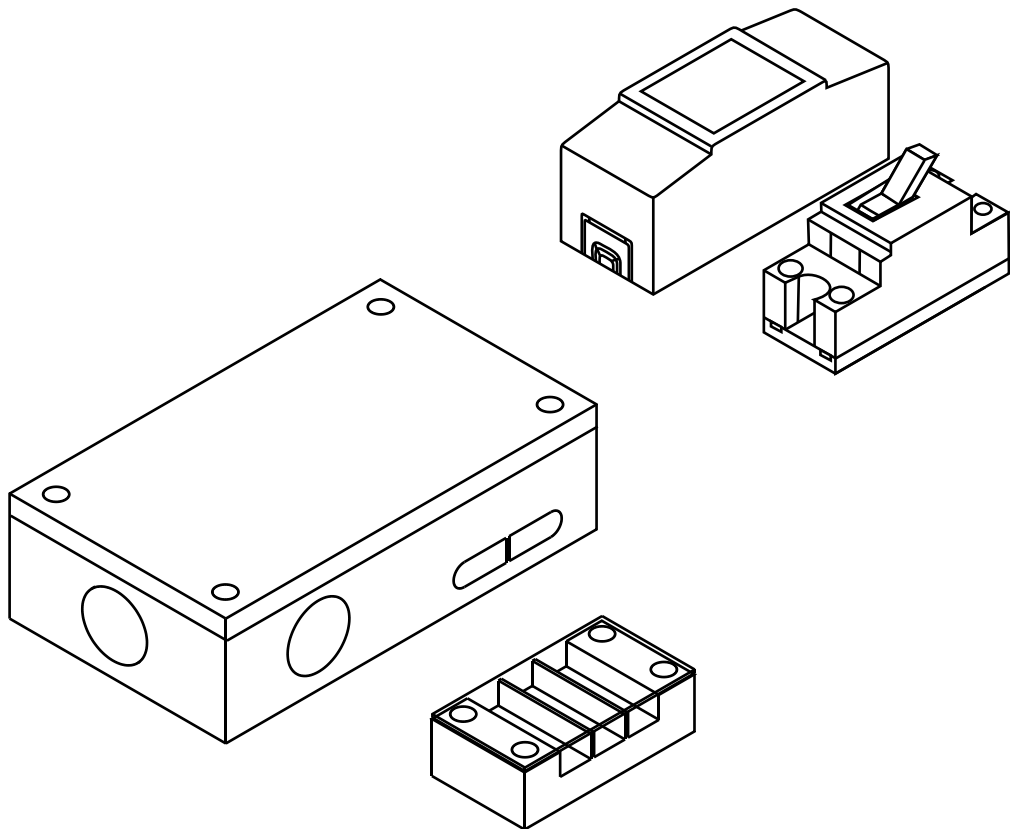
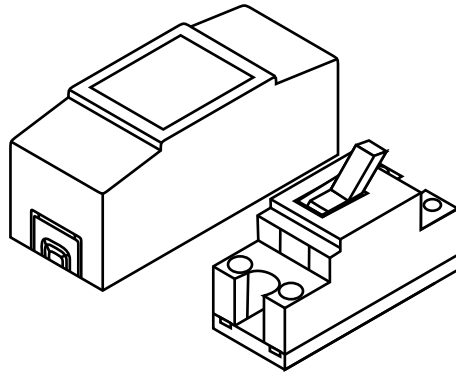


SMART KIT

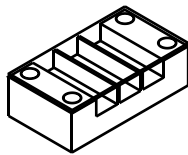
Equipment Oven (16amps)



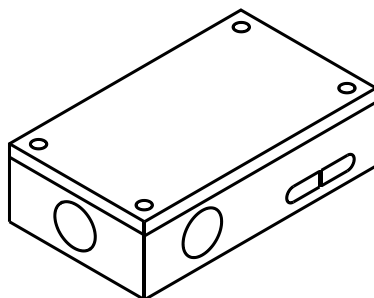
HARDWARE



1



3



4