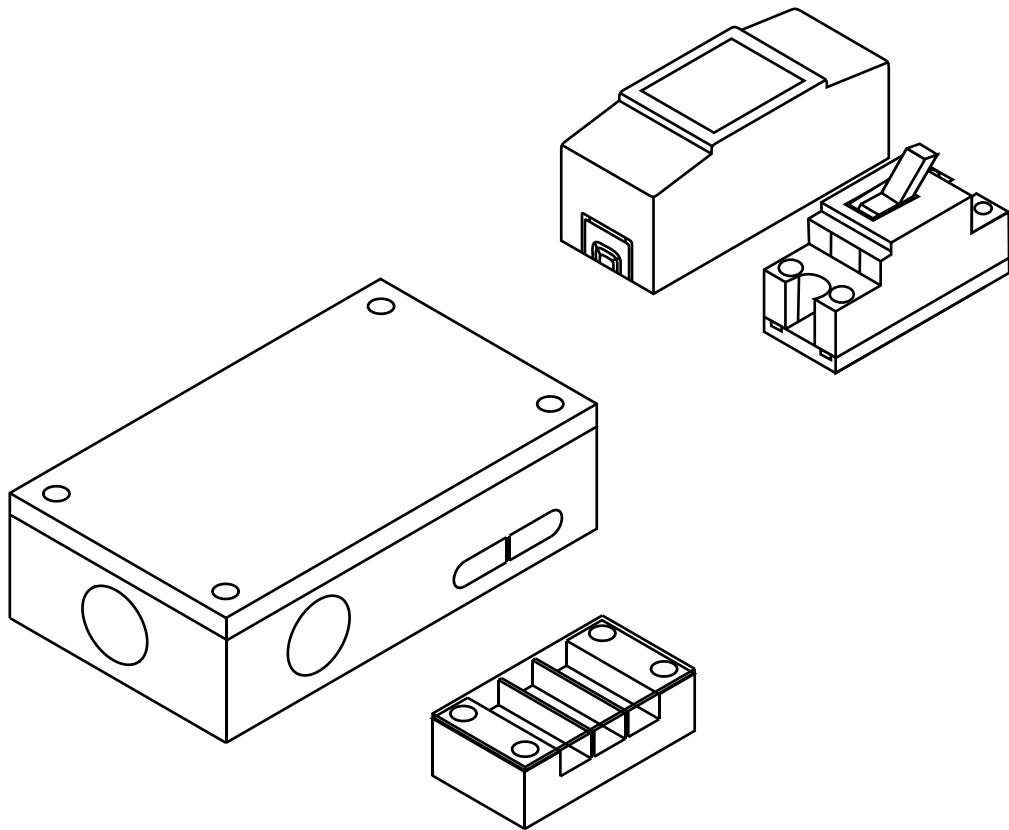
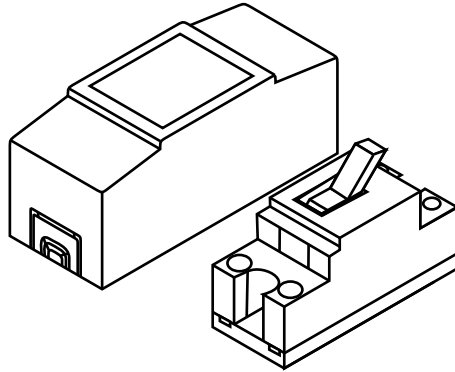


# SMART KIT

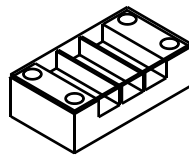
Equipment stove(30amps)



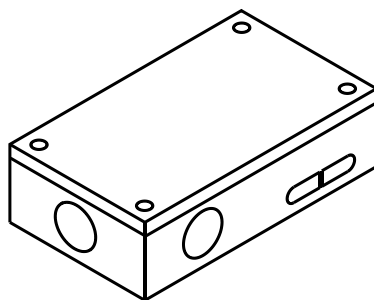
# HARDWARE



1



3



4