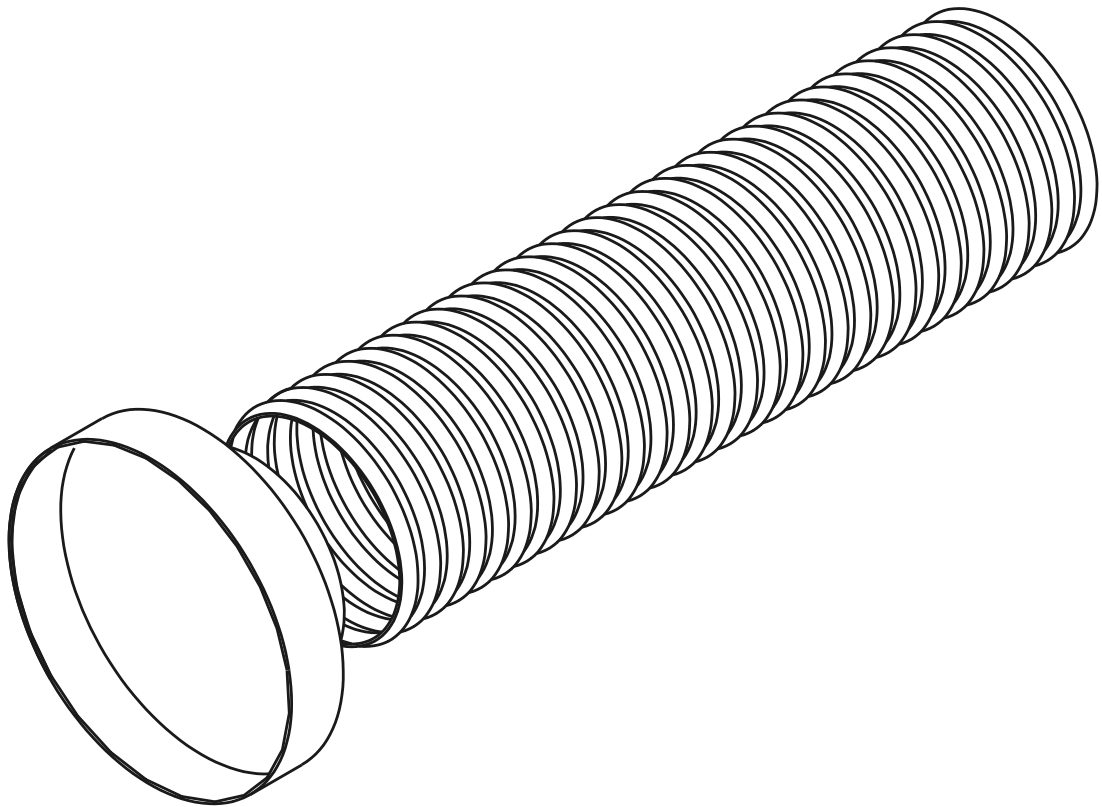



# SMART KIT

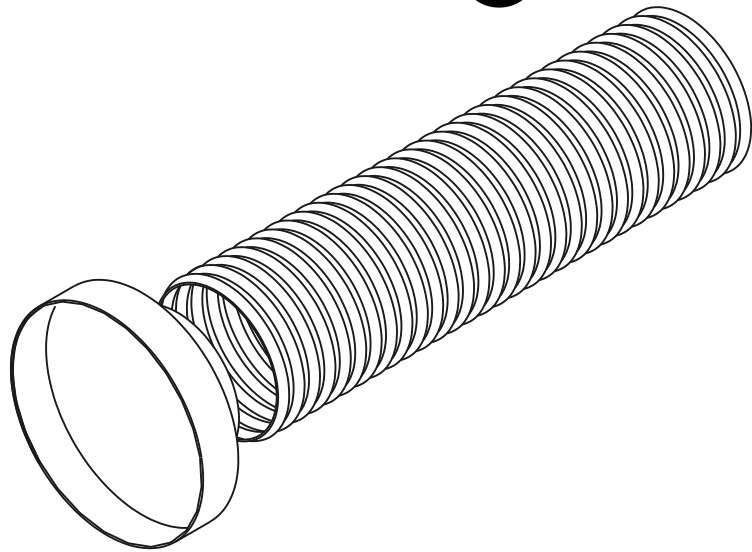
Equipment Hood SetUp(Celing)6'



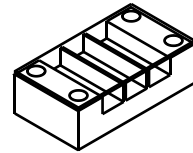
# HARDWARE

  
35mm.  
**x 2**

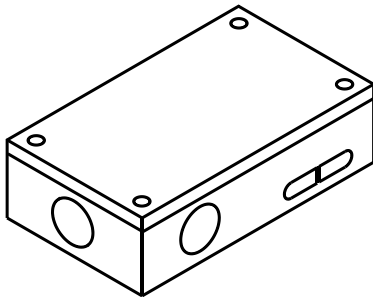
**1**



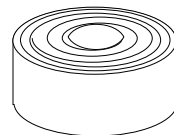
**2**



**3**



**4**



**5**