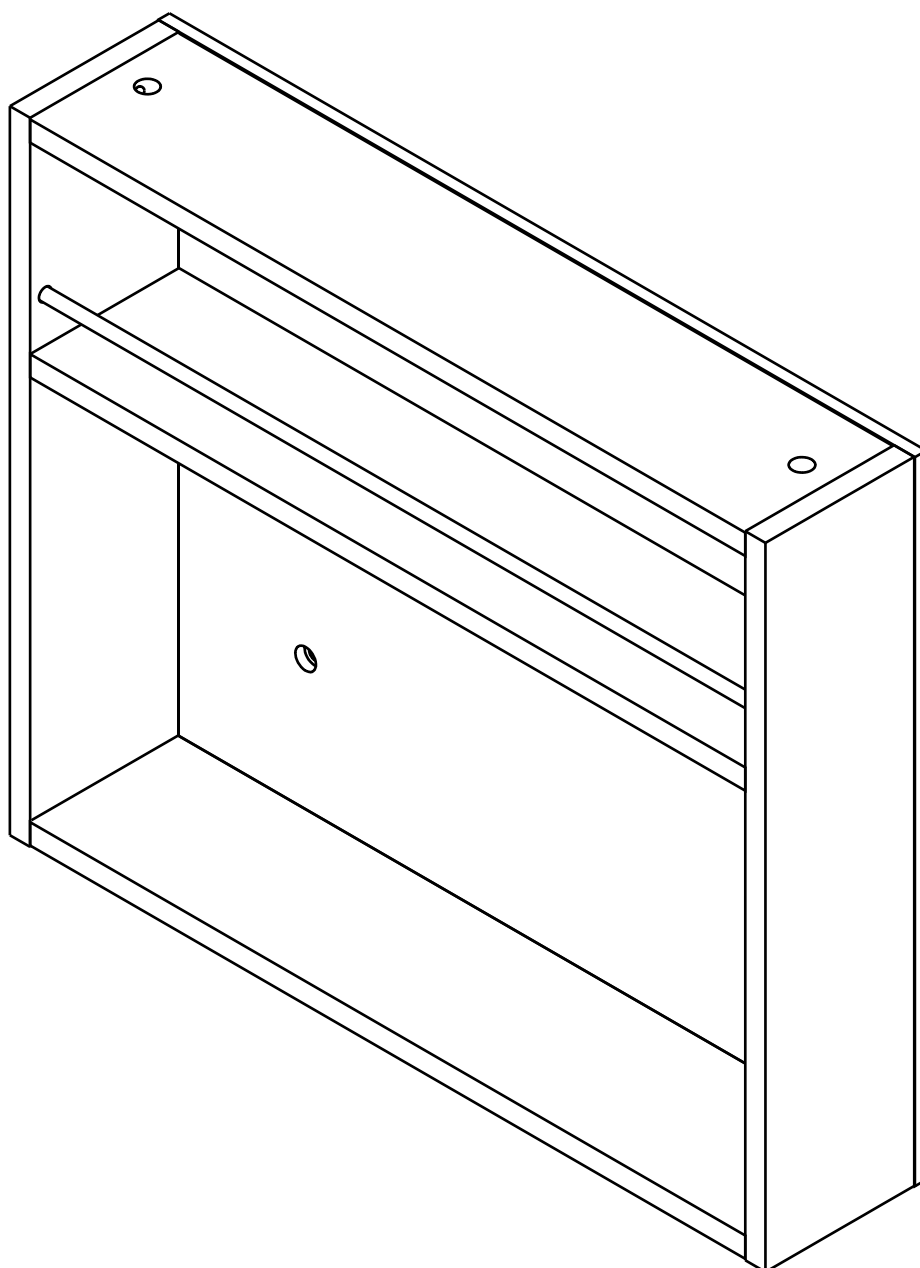


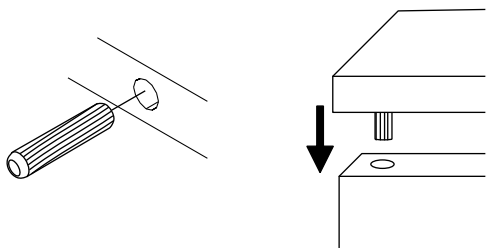
# SMART KIT

Wall Cabinet box1 W80xH50

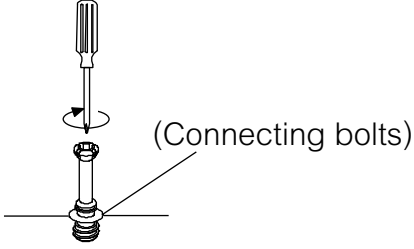


# CONNECT SYSTEM

**1**

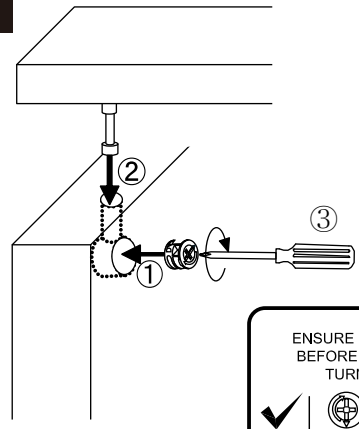


**2**





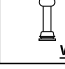



(Connecting bolts)

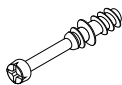
**3**



**WHEN FITTING CAMS**  
ENSURE STARTING POSITION IS CORRECT  
BEFORE YOU INSERT CONNECTING BOLT  
TURN CLOCKWISE UNTIL SECURE

|   |   |   |   |   |
|---|---|---|---|---|
| ✓ |  |  |  | ✗ |
|   |  |  |  |   |
|   | <b>CORRECT</b>  | <b>WRONG</b>  |   |   |

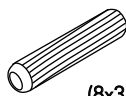
# HARDWARE



**x 6**

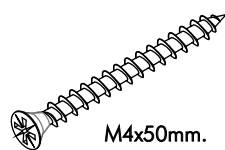


**x 6**



(8x35)

**x 12**



M4x50mm.

**x 14**



**x 4**

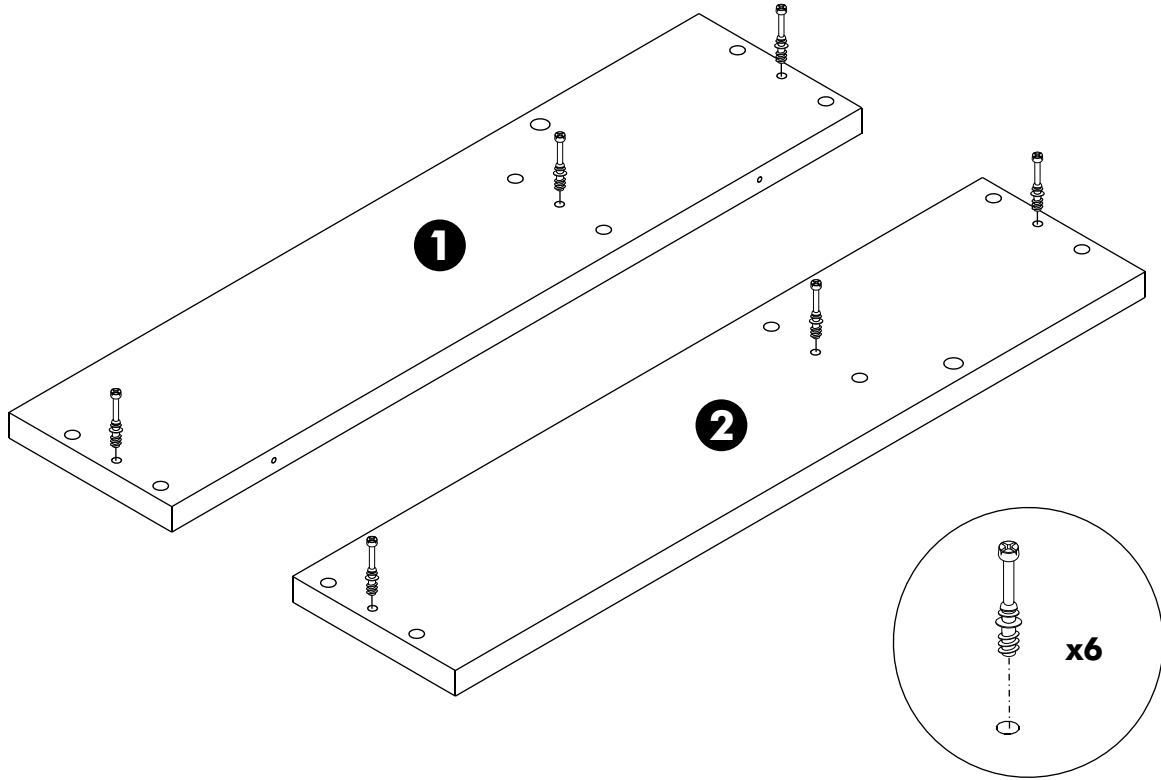


**x 2**

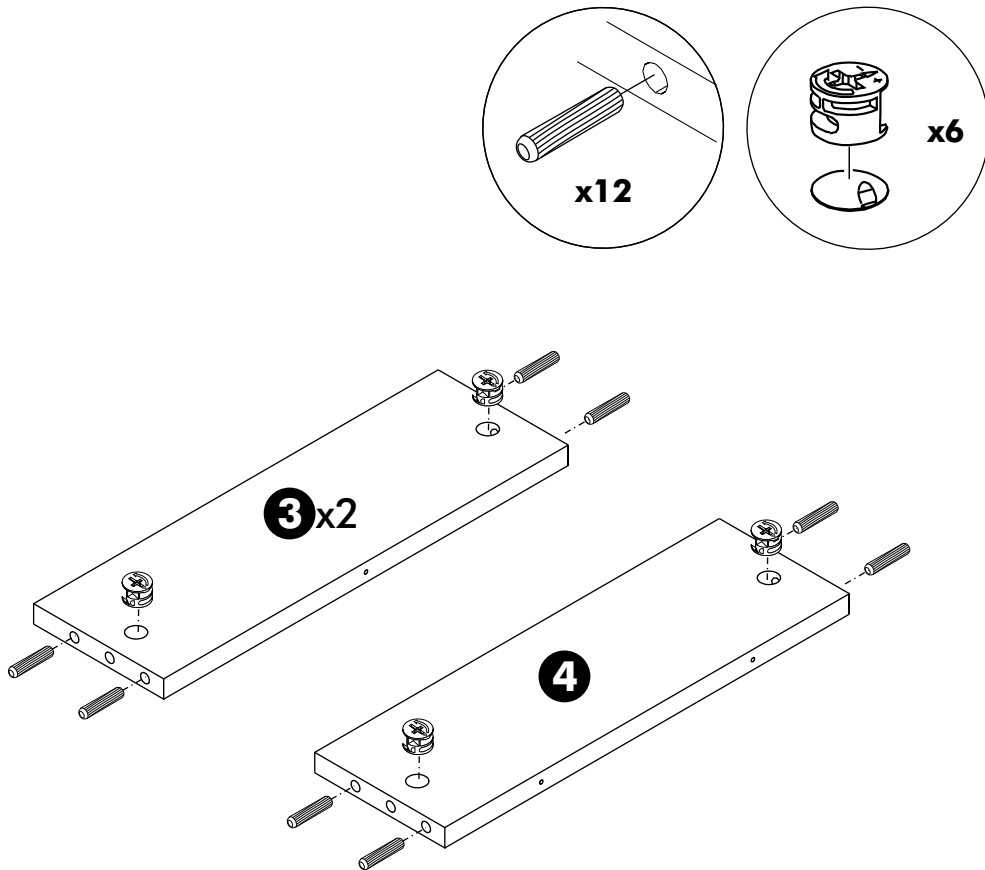


**x 4**

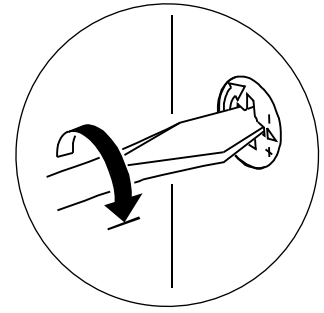
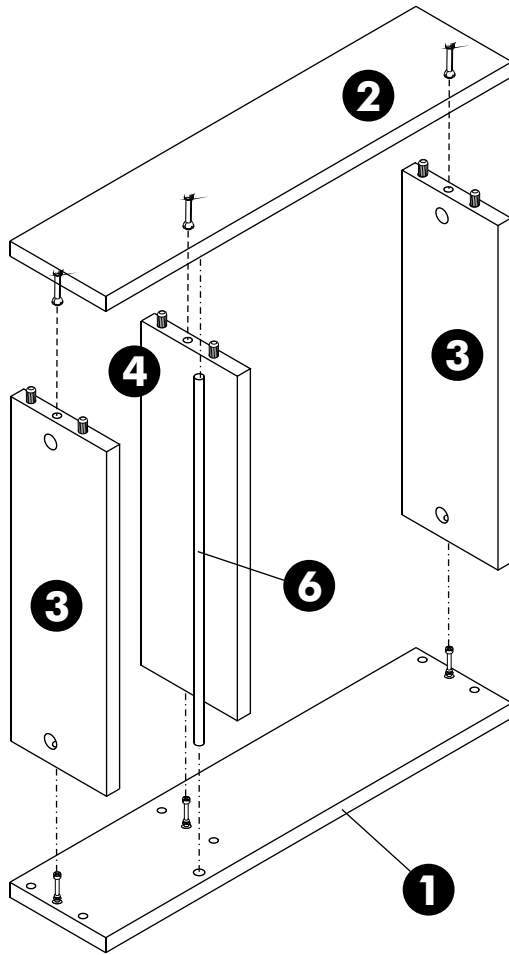
**1.**



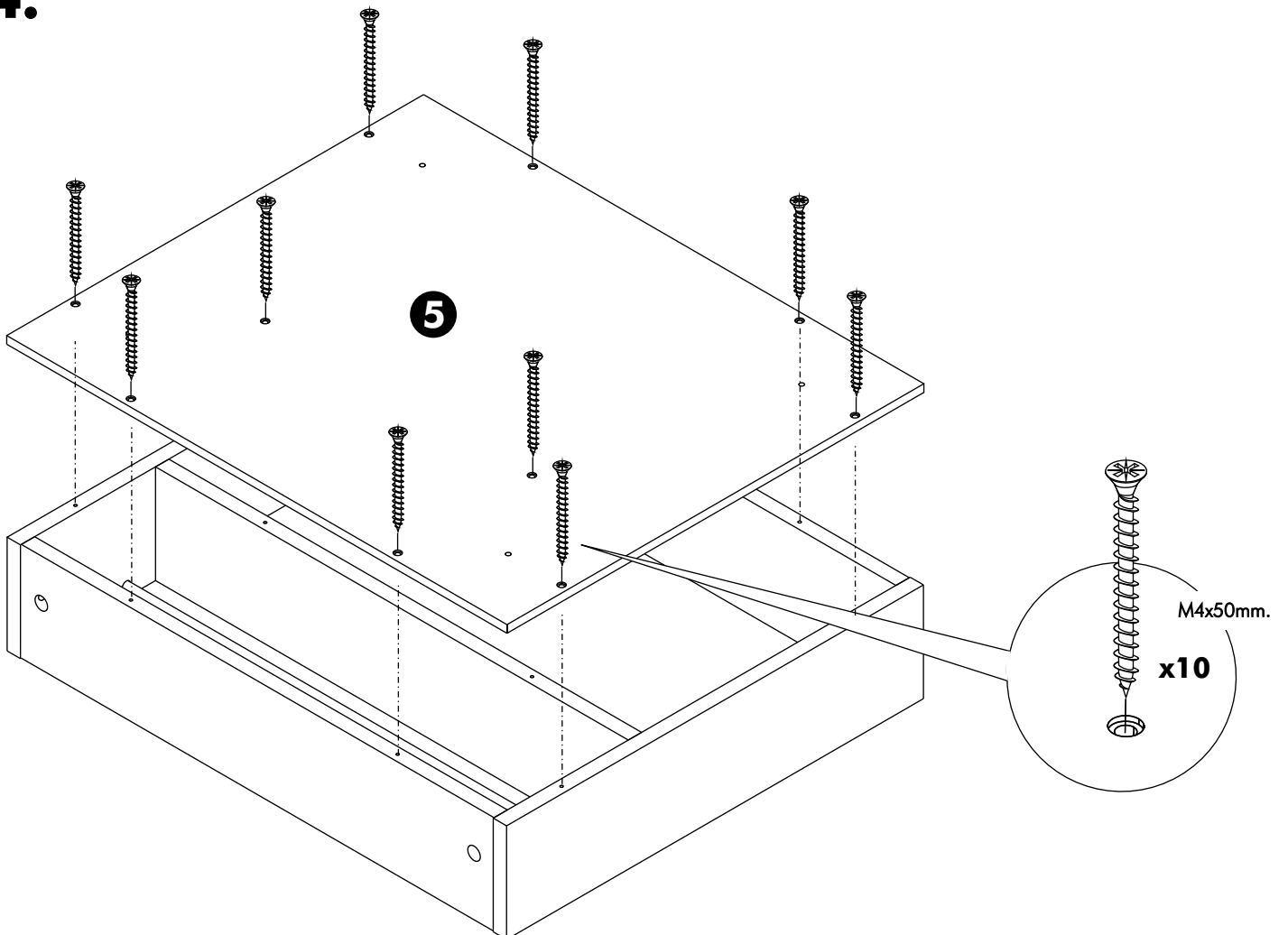
**2.**



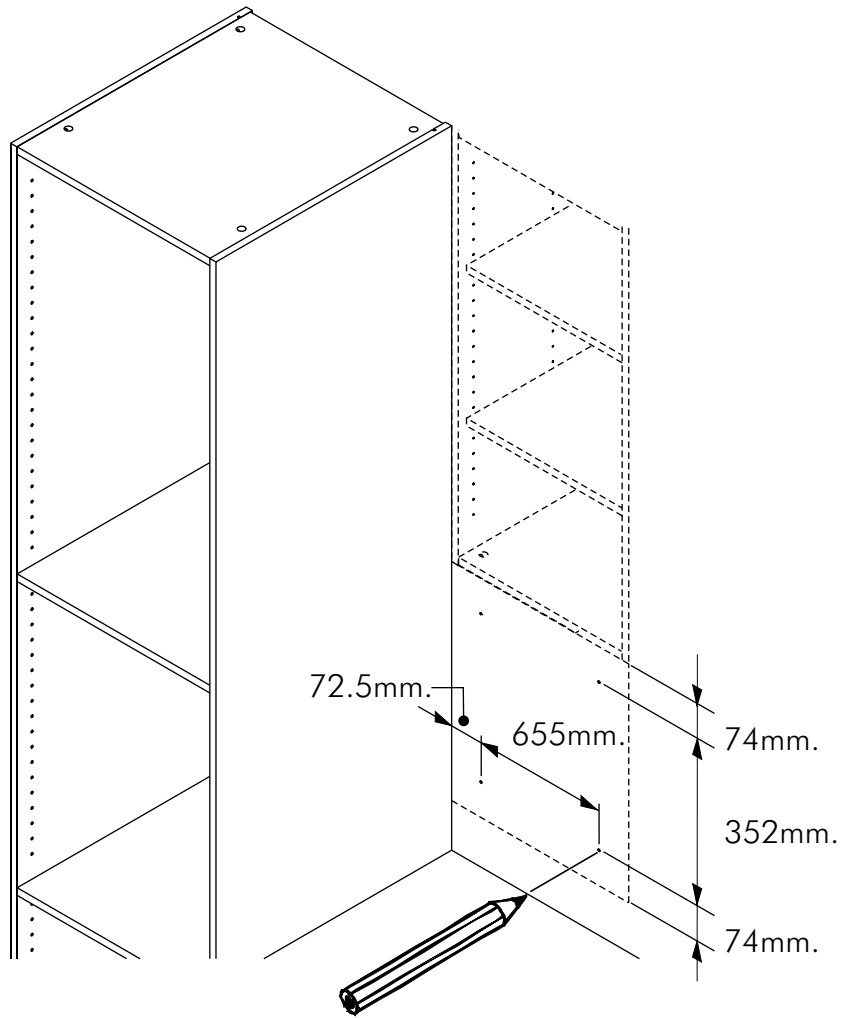
**3.**



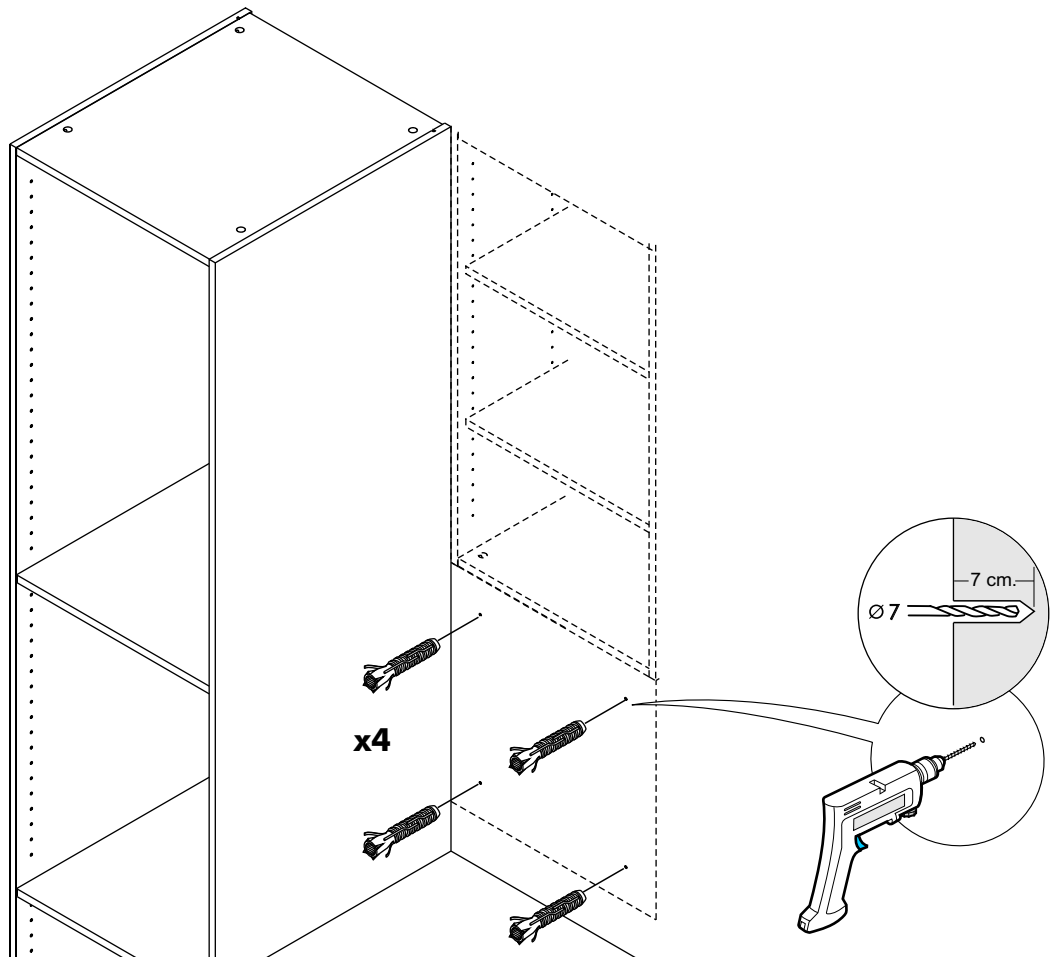
**4.**



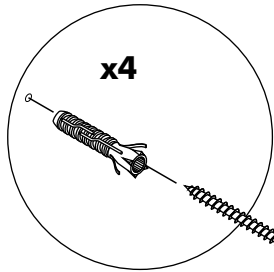
**5.**



**6.**

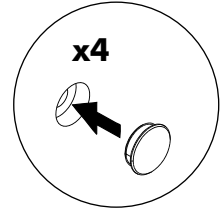
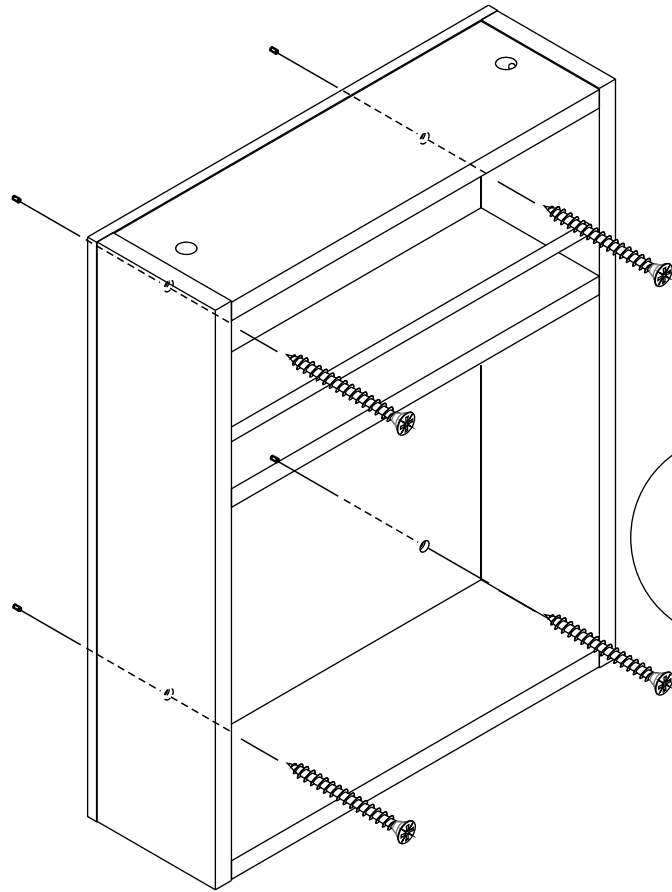
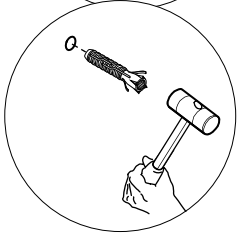
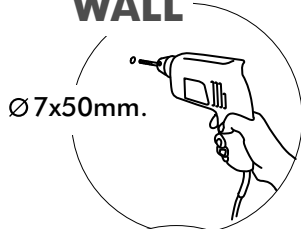


**7.**



M4x50mm.

**WALL**



**8.**

