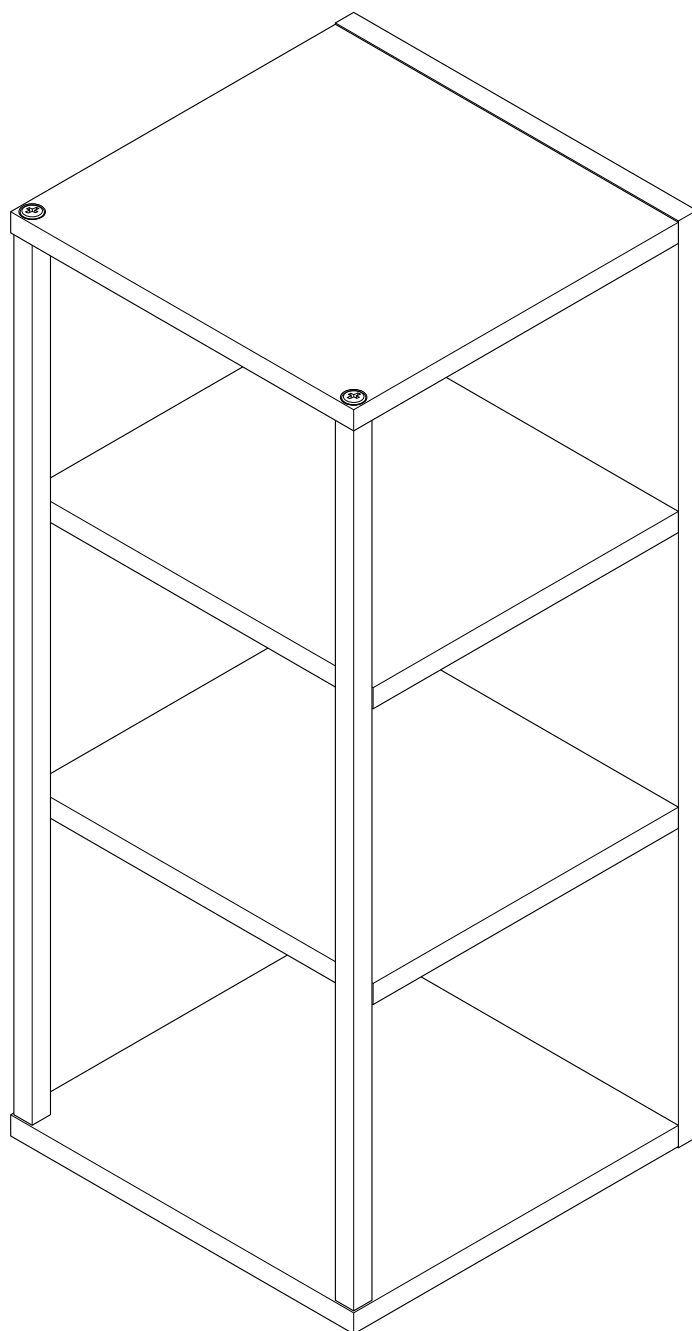


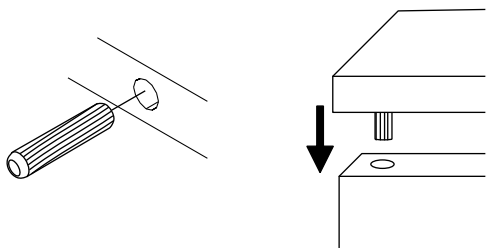
# SMART KIT

Wall cabinet corner W30

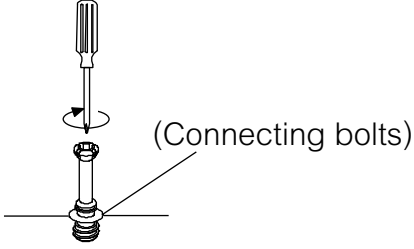


# CONNECT SYSTEM

**1**

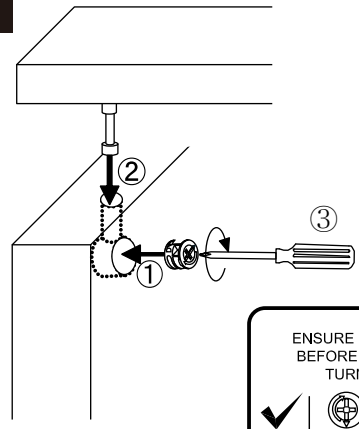


**2**





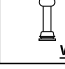



(Connecting bolts)

**3**

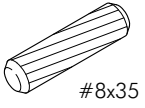


**WHEN FITTING CAMS**  
ENSURE STARTING POSITION IS CORRECT  
BEFORE YOU INSERT CONNECTING BOLT  
TURN CLOCKWISE UNTIL SECURE

✓				✗
				
	<b>CORRECT</b>	<b>WRONG</b>		

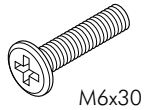
# HARDWARE

-BODY SET



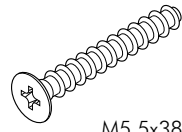
#8x35

**x 12**



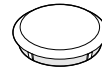
M6x30

**x 4**

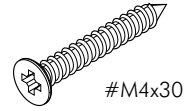


M5.5x38

**x 8**



**x 2**



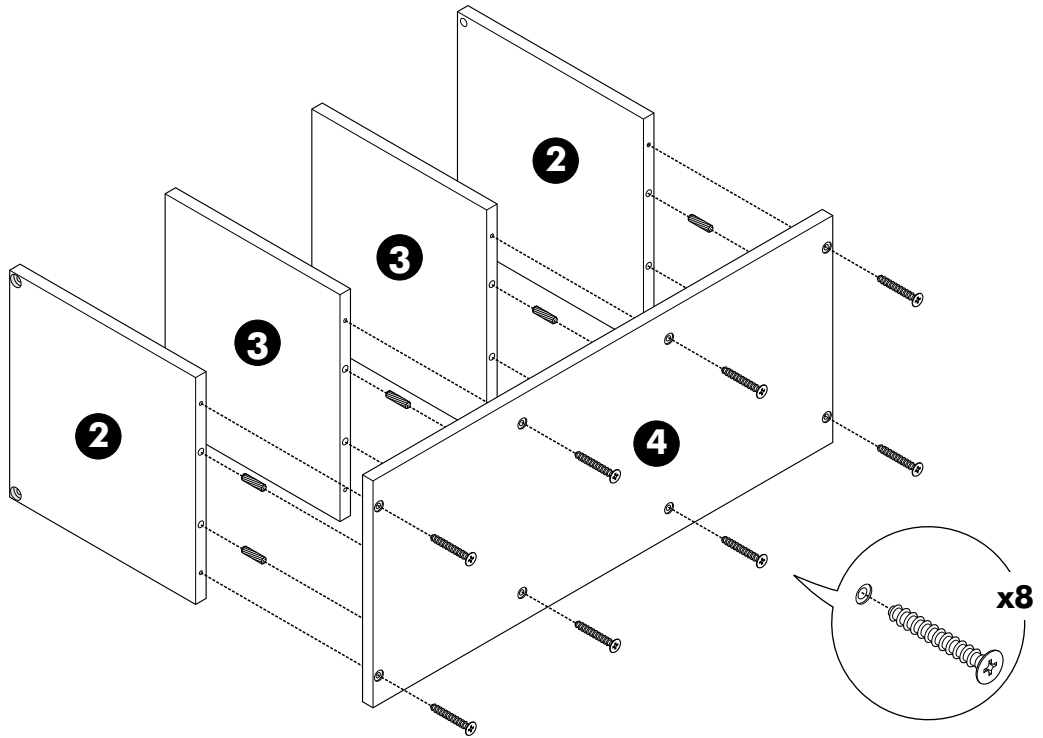
#M4x30

**x 4**

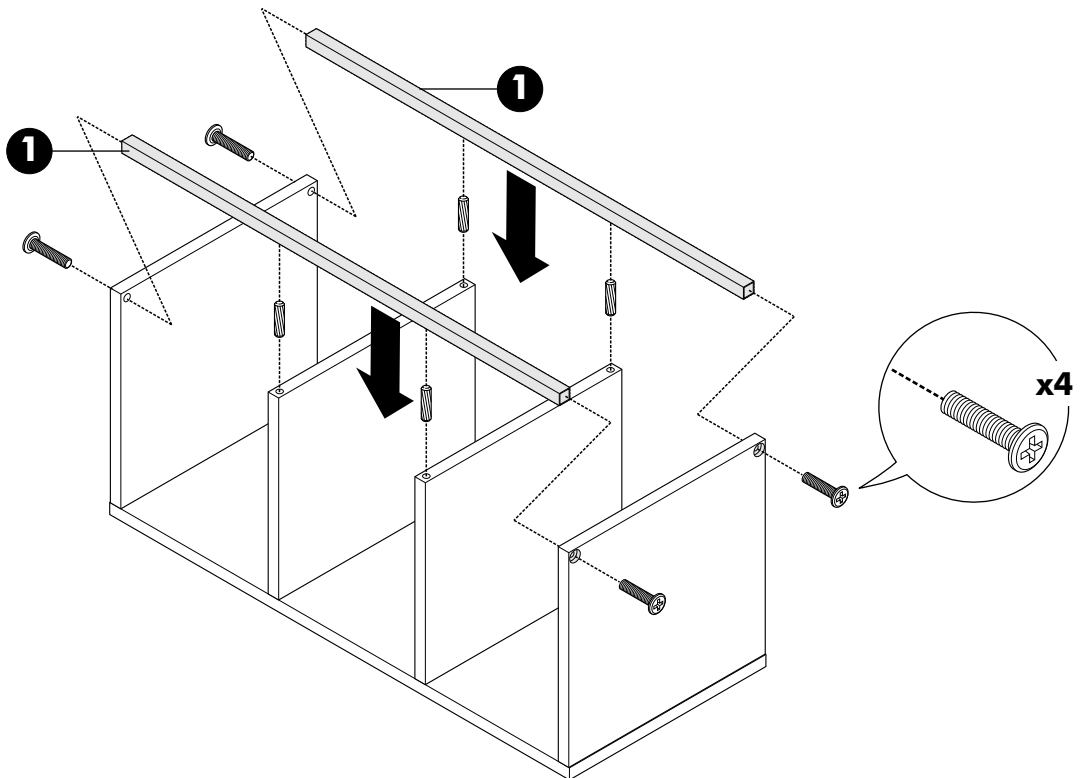


**x 4**

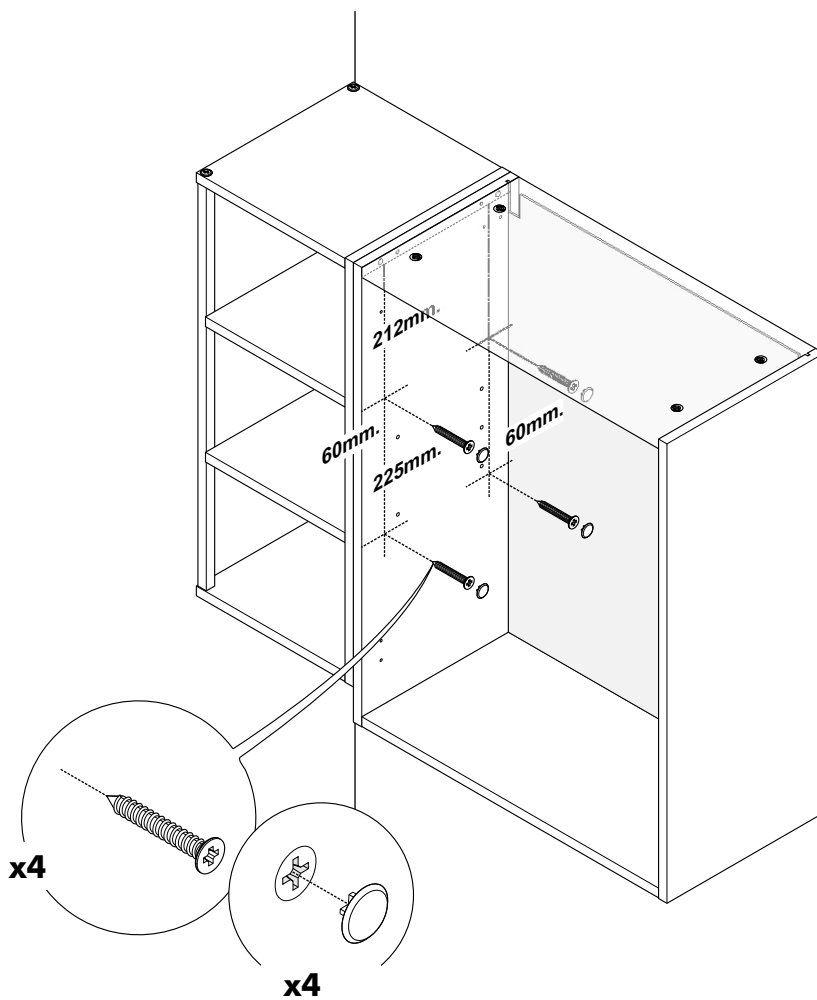
1.



2.



**3.**



**4.**

