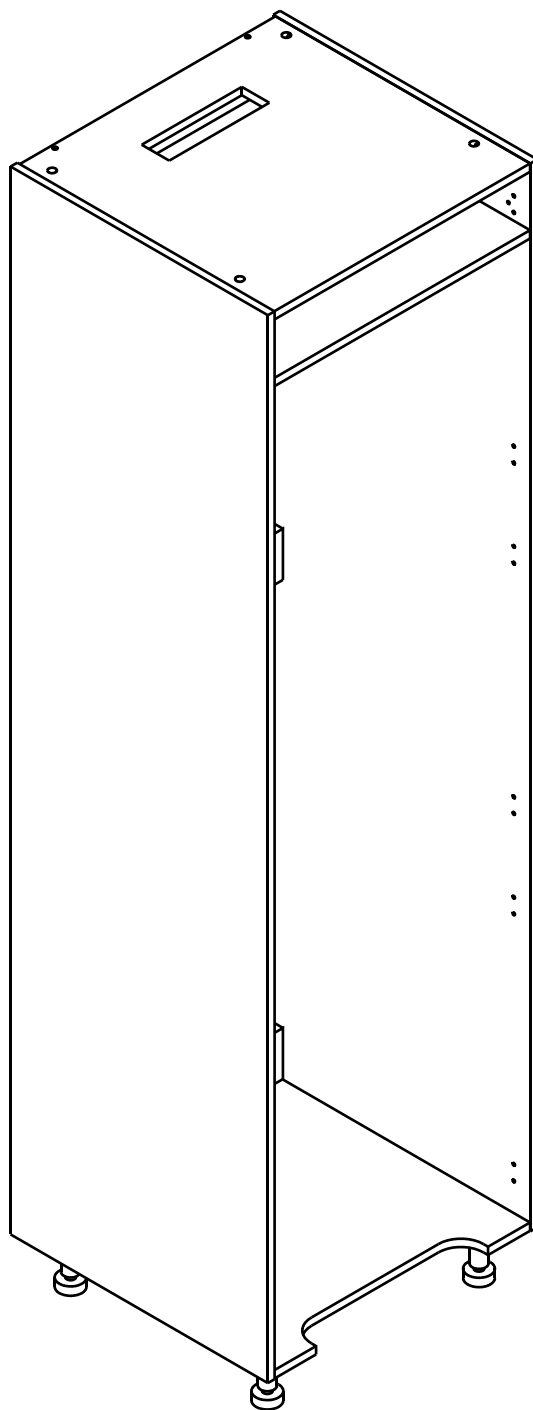


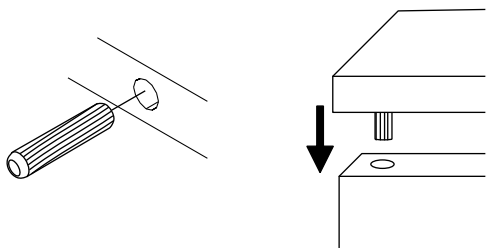
# SMART KIT

**High Cabinet W600xH2047**

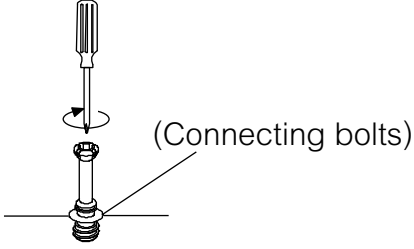


# CONNECT SYSTEM

**1**

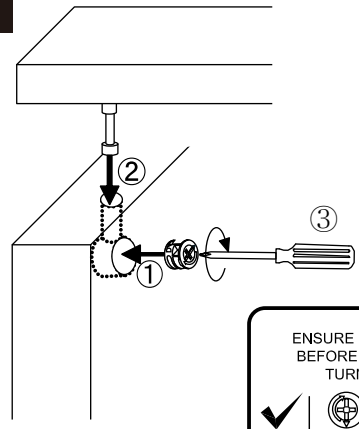


**2**





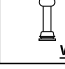



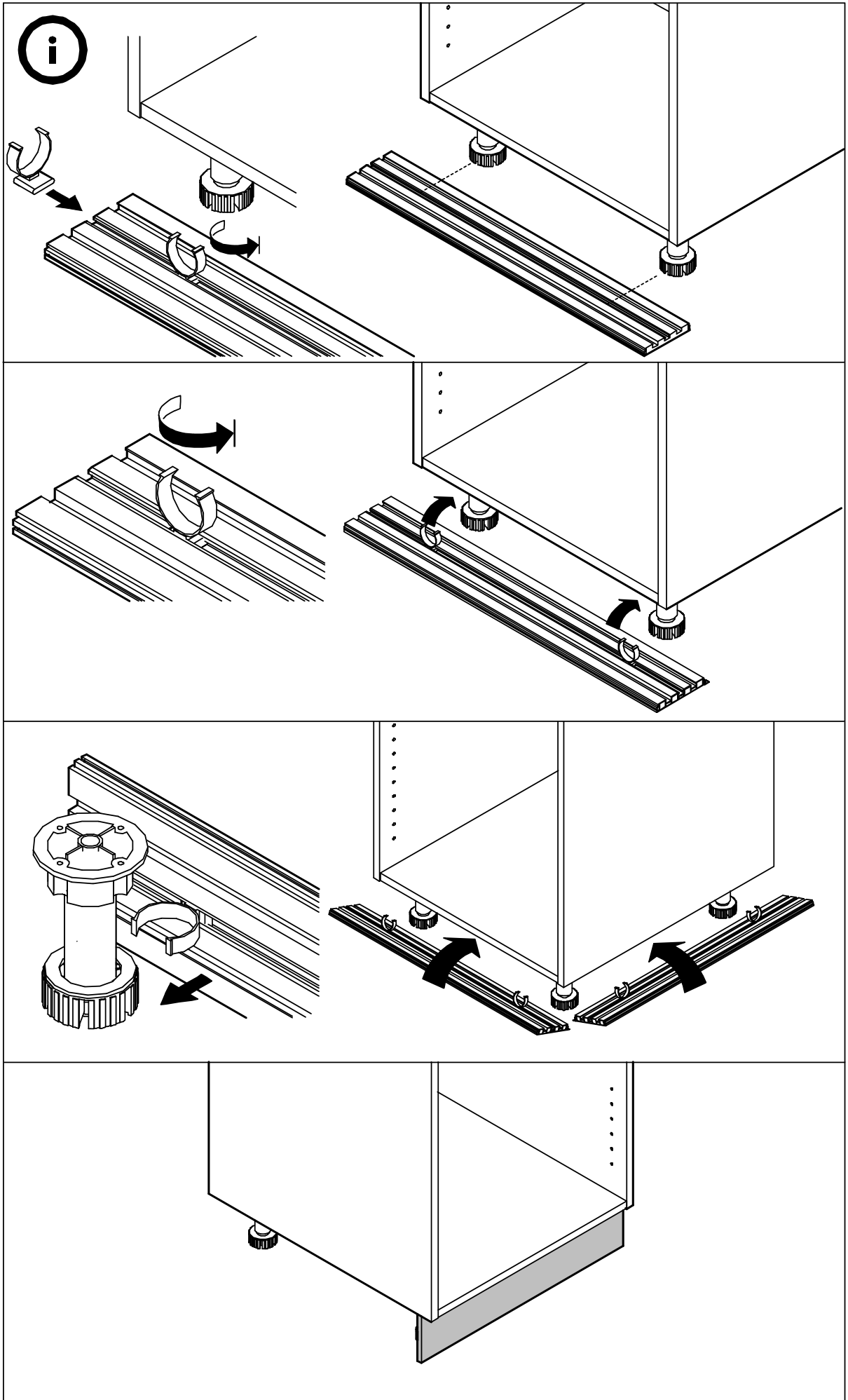
(Connecting bolts)

**3**



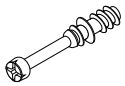
**WHEN FITTING CAMS**  
ENSURE STARTING POSITION IS CORRECT  
BEFORE YOU INSERT CONNECTING BOLT  
TURN CLOCKWISE UNTIL SECURE

✓				✗
				
	<b>CORRECT</b>	<b>WRONG</b>		



# HARDWARE

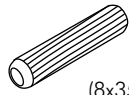
## -BODY SET



**x 14**



**x 14**



(8x35)

**x 26**



M4x30mm.

**x 14**

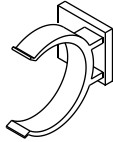


M4x16mm.

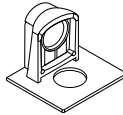
**x 16**



**x 8**



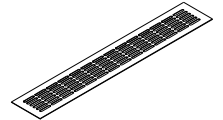
**x 2**



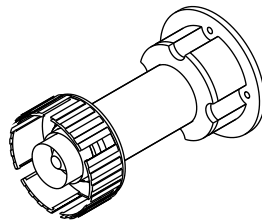
**x 4**



**x 4**

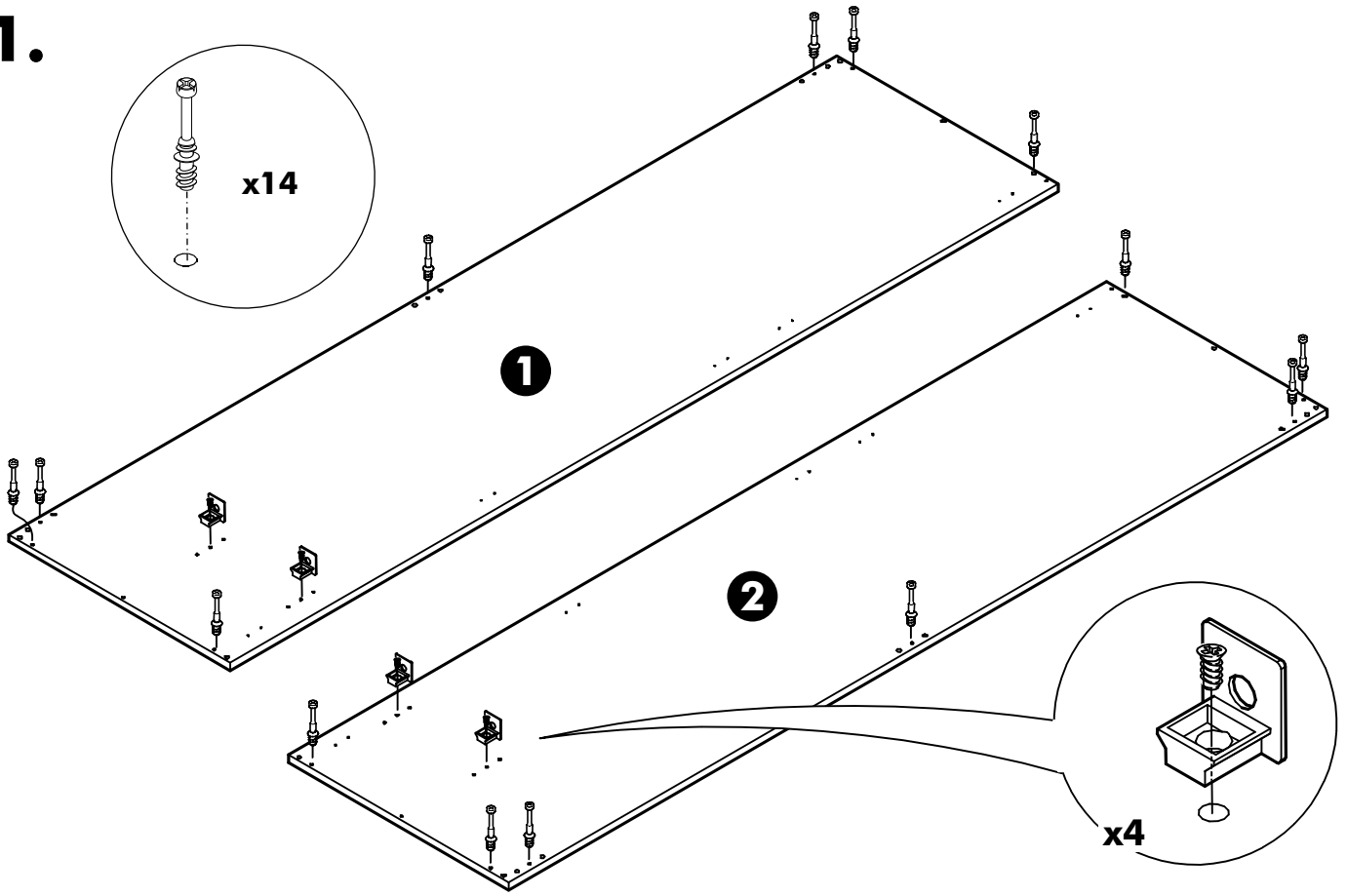


**x 2**

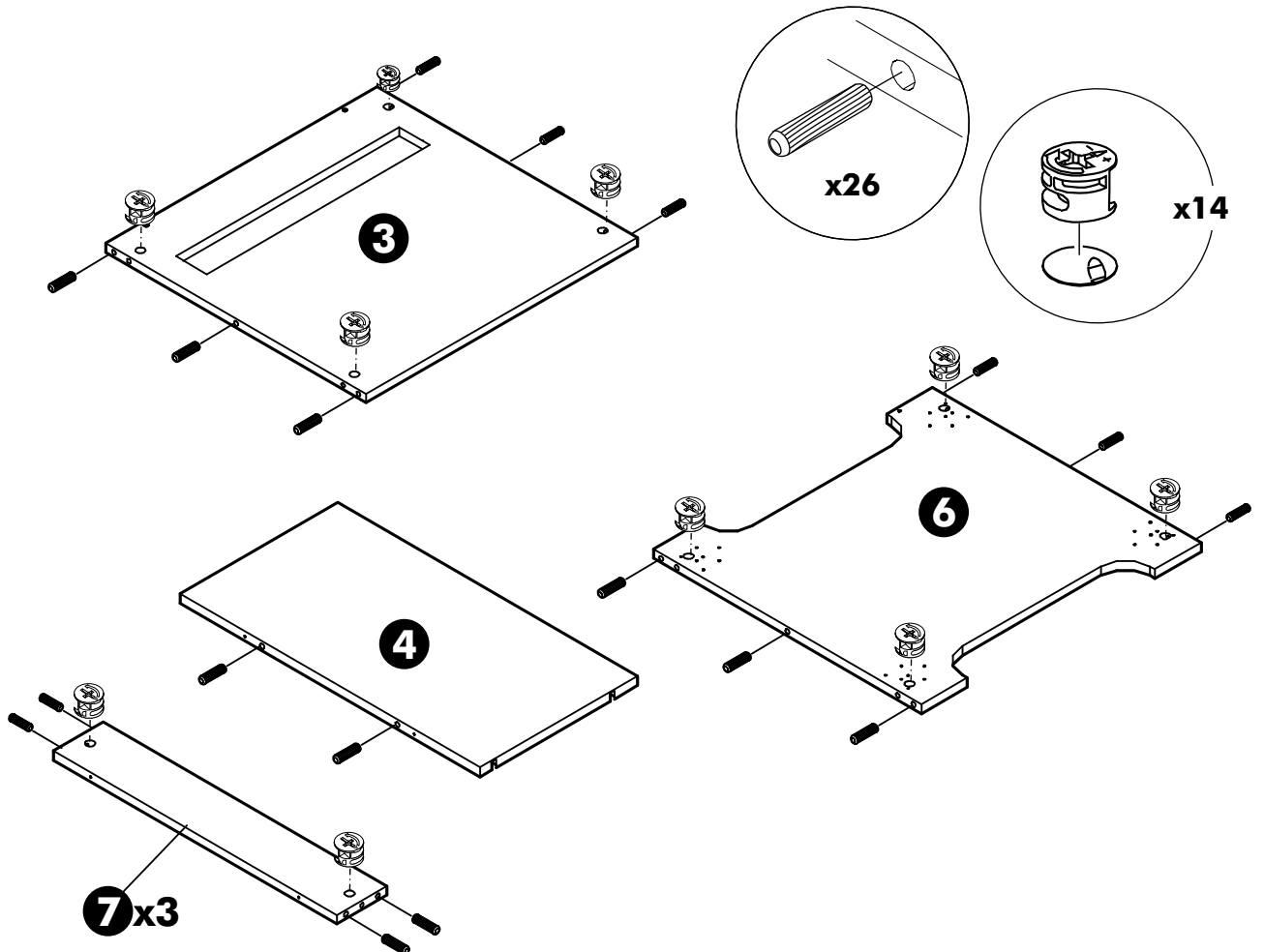


**x4**

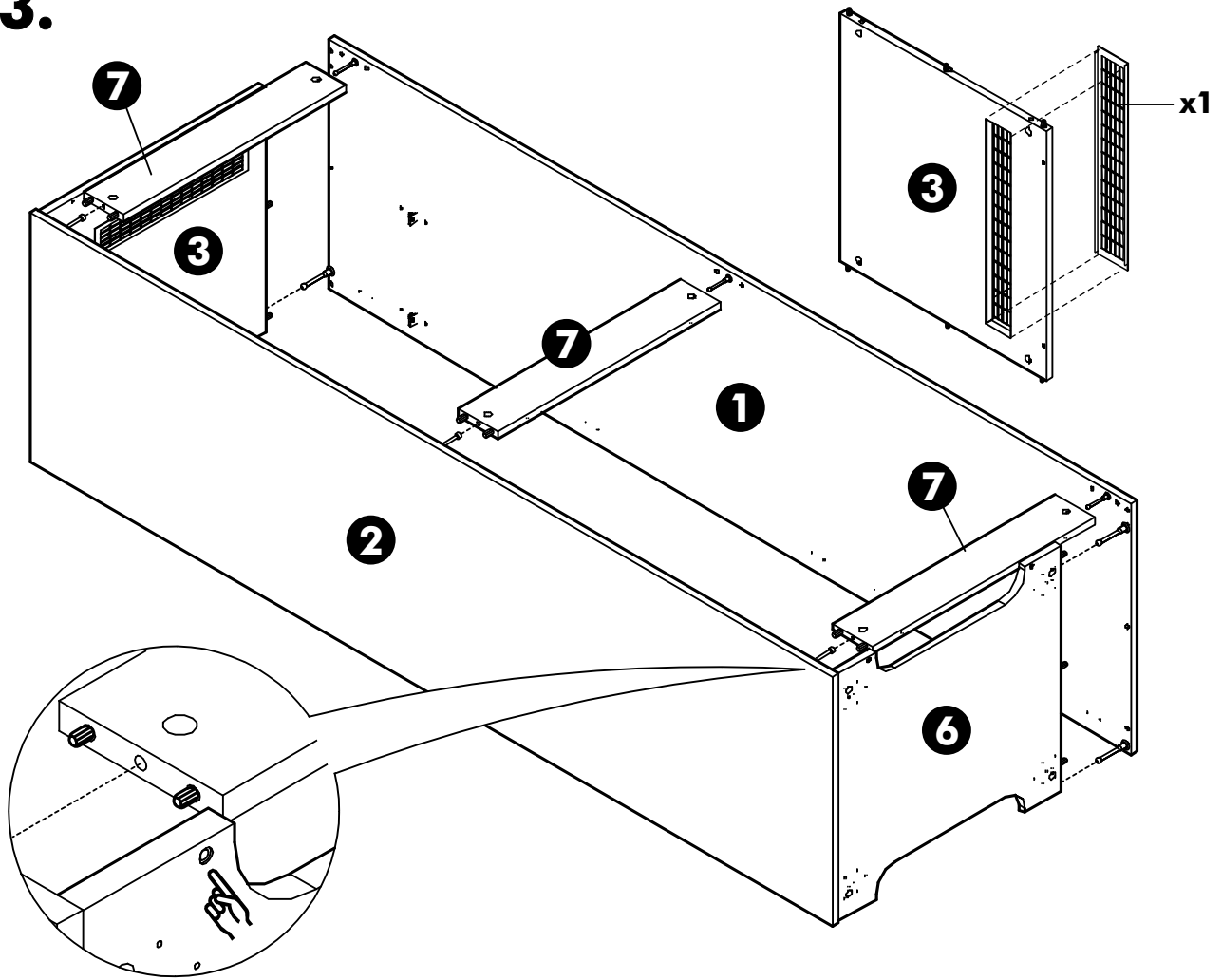
**1.**



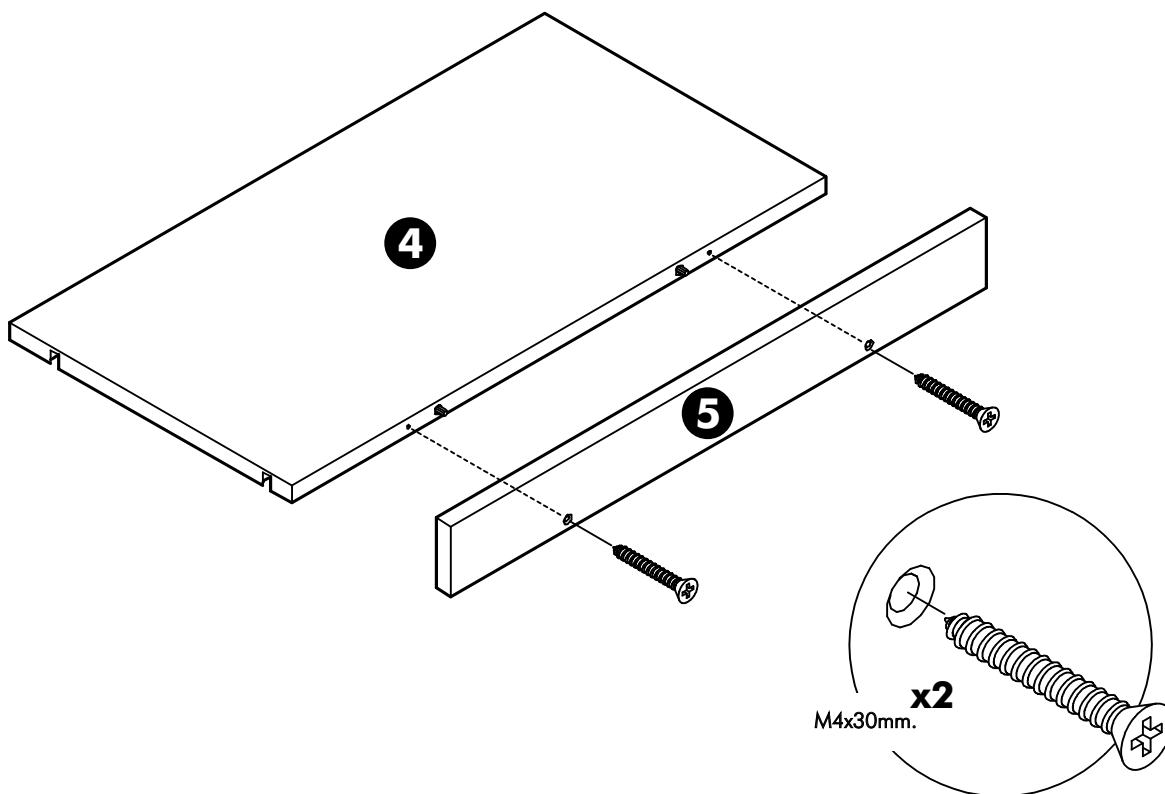
**2.**



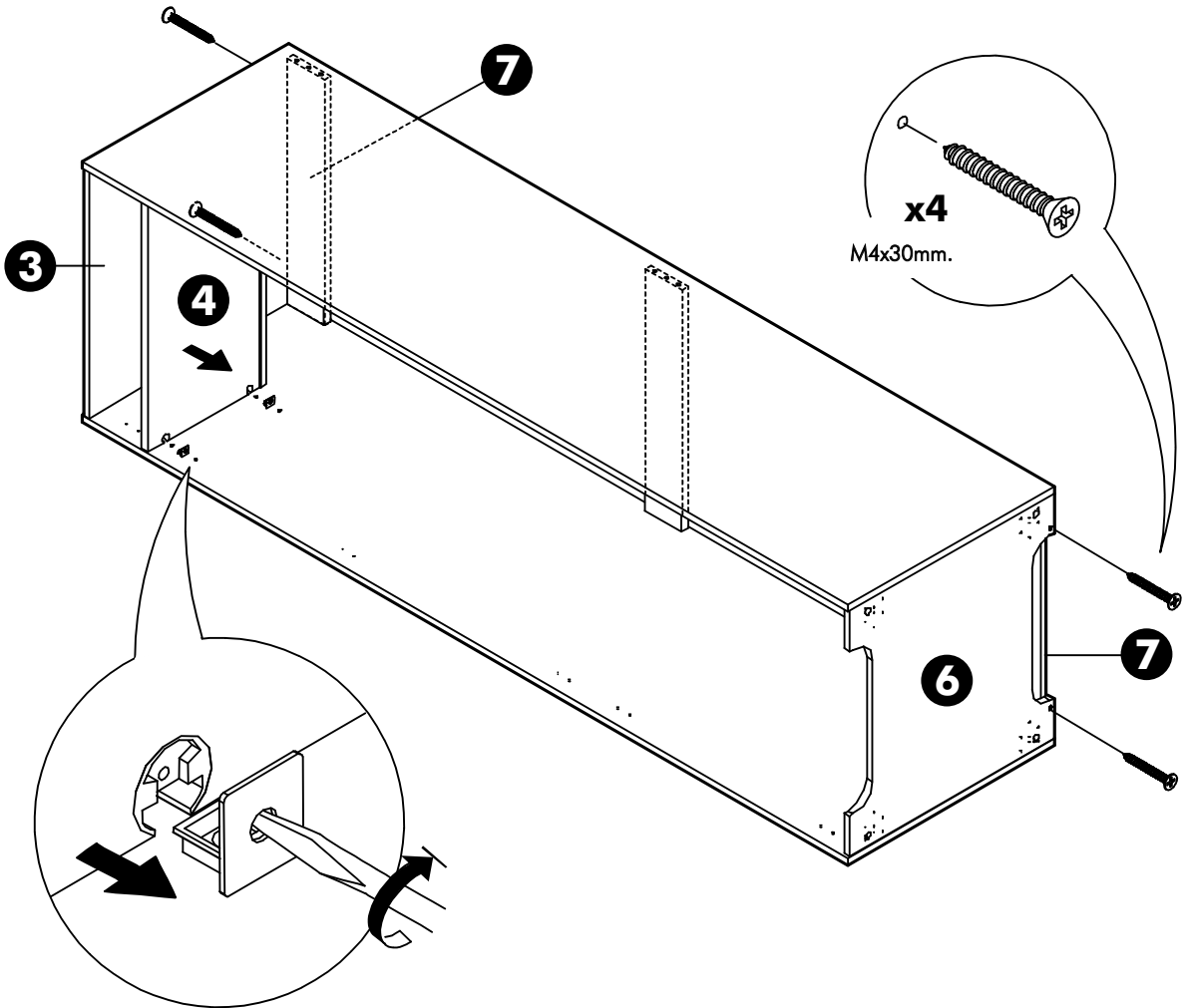
**3.**



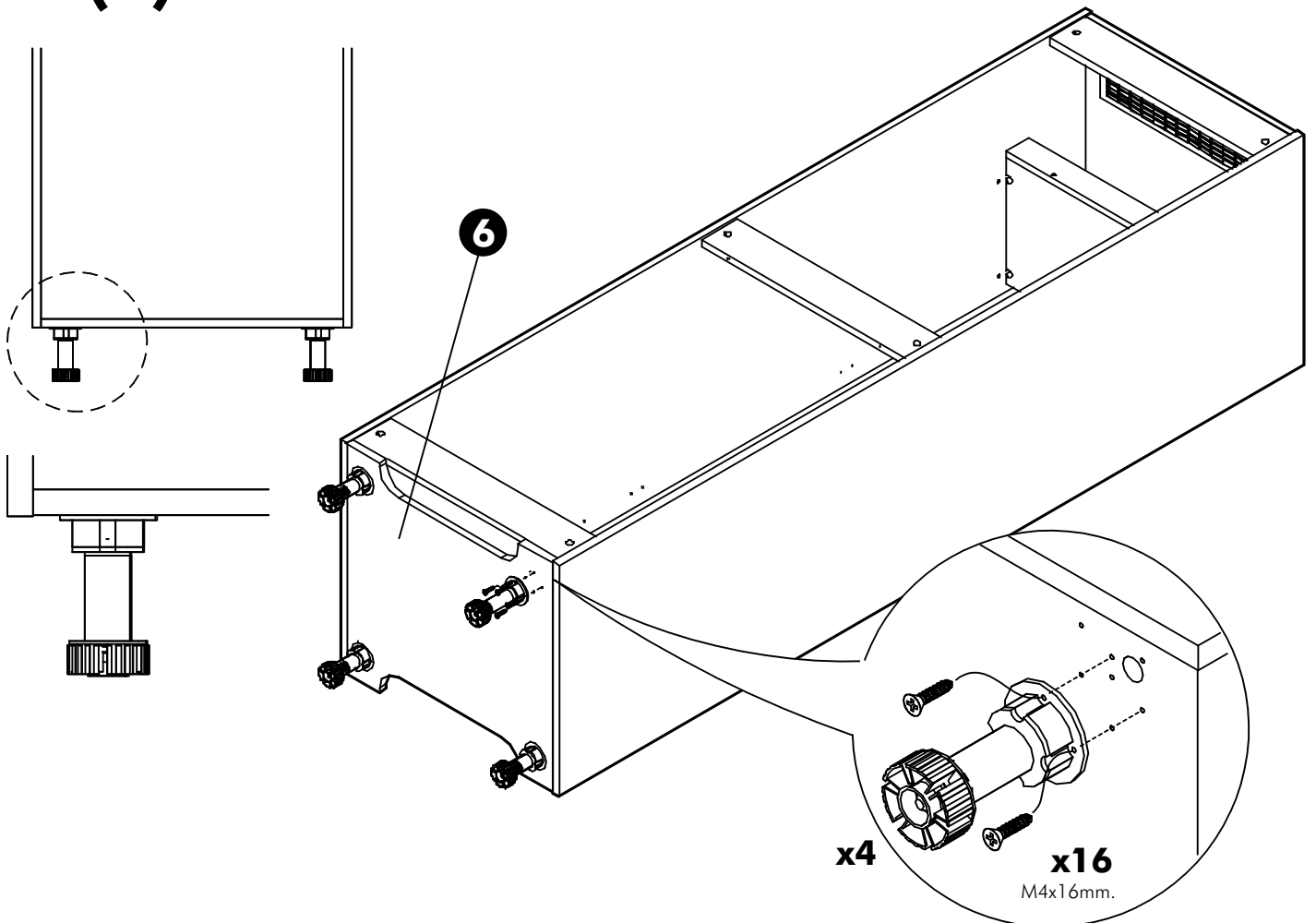
**4.**



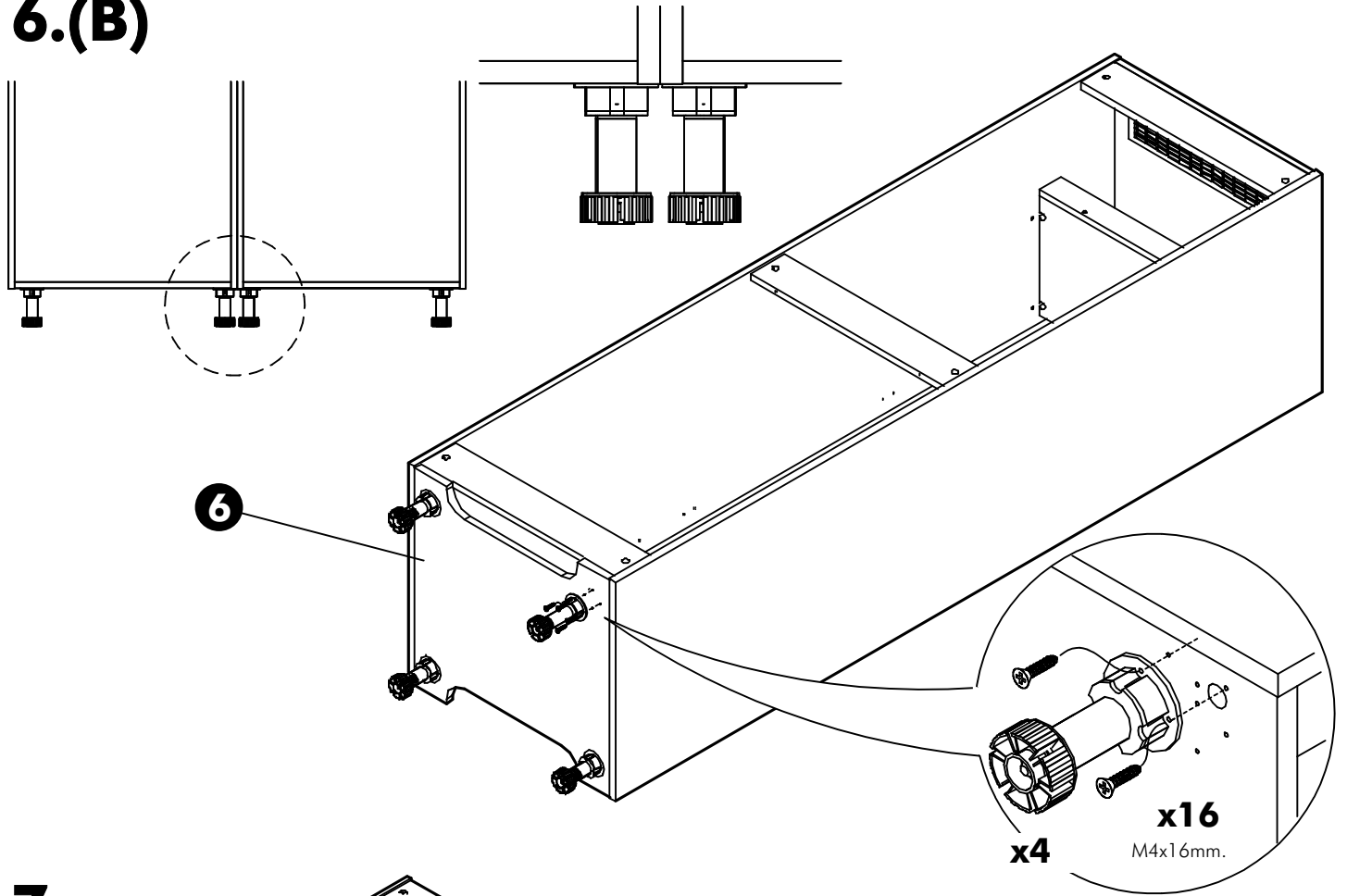
**5.**



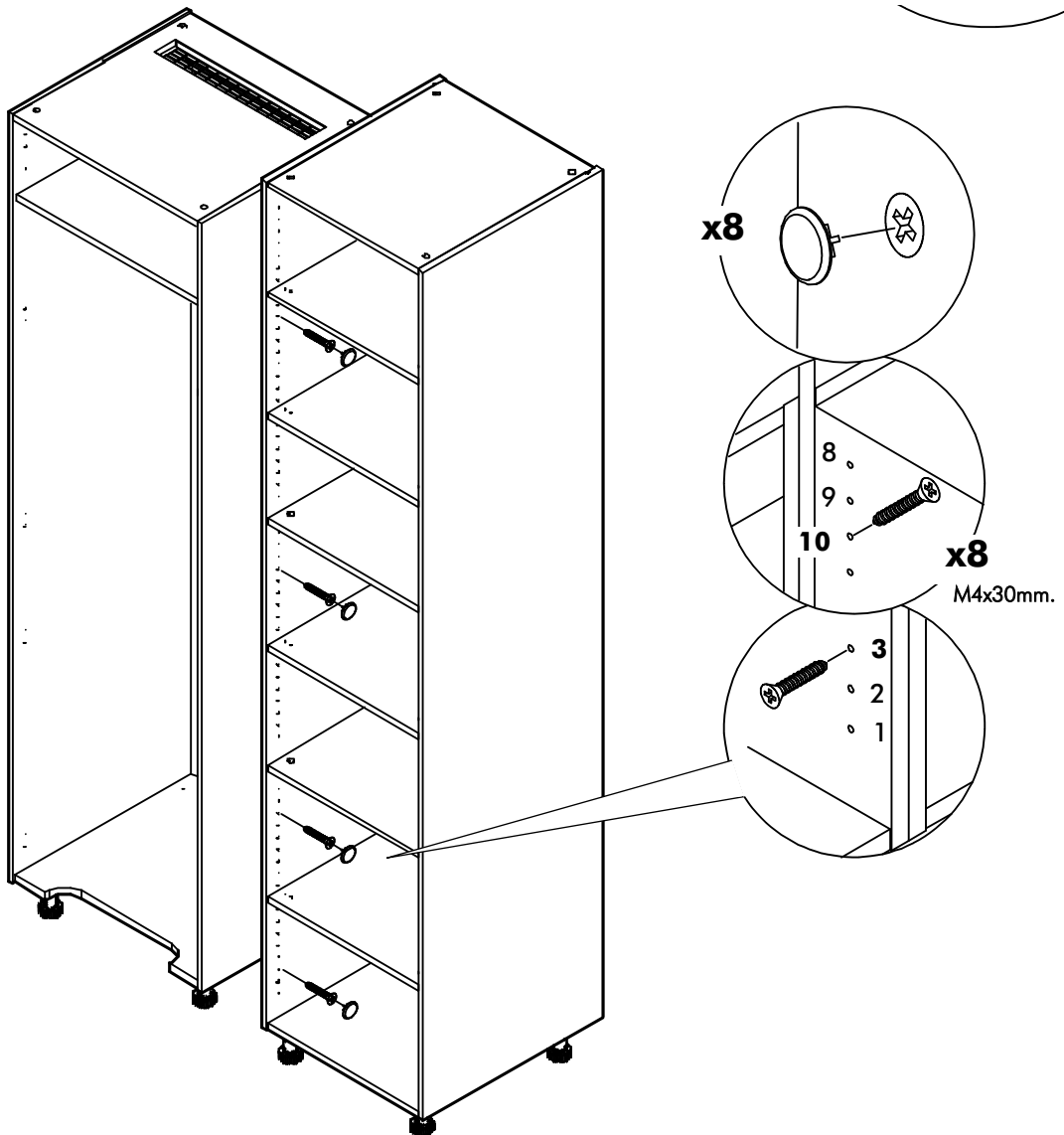
**6.(A)**



# 6.(B)



# 7.



8.

