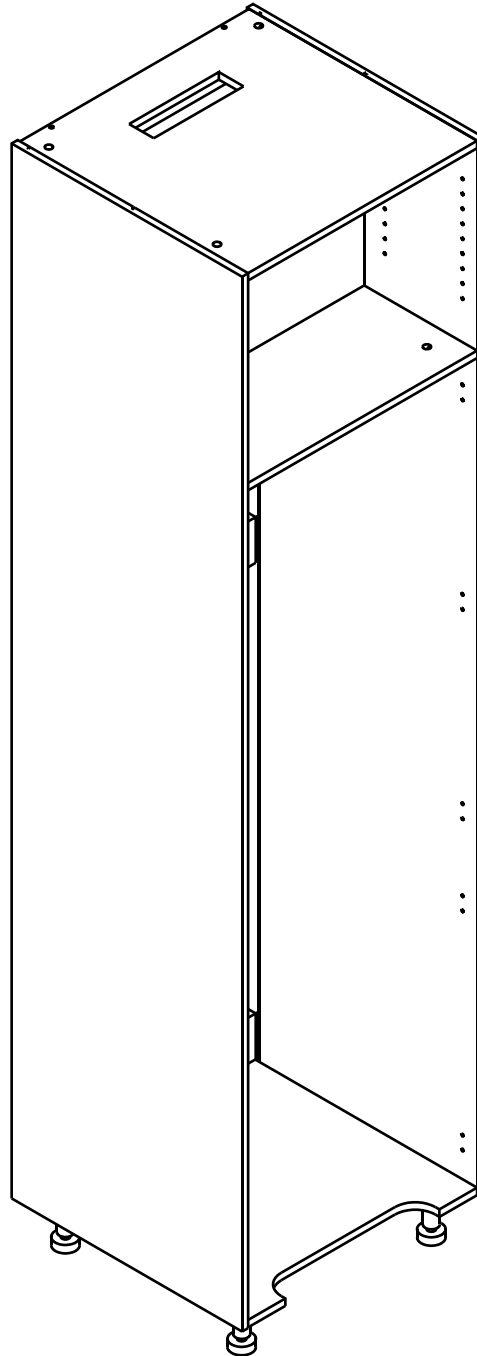


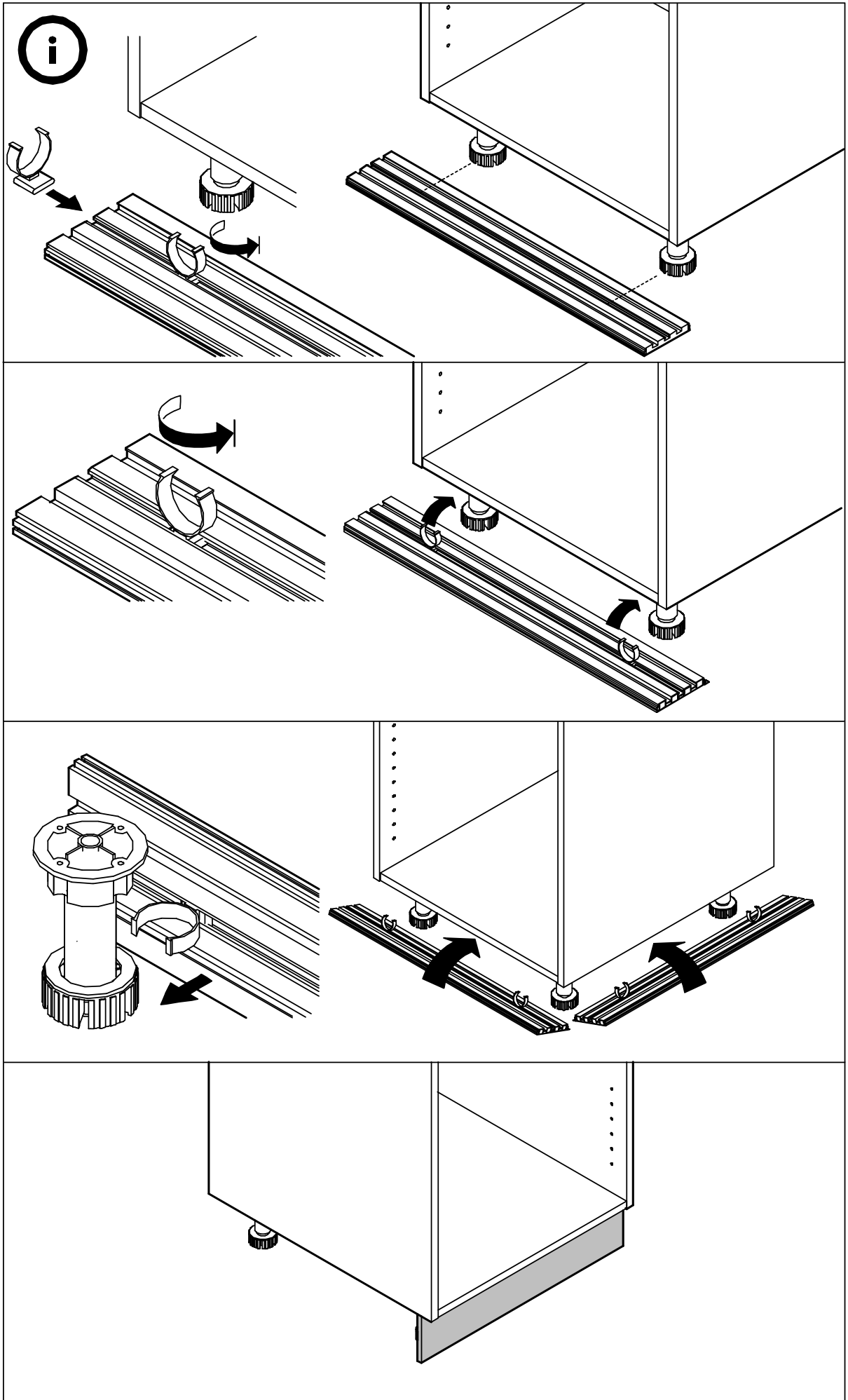
# SMART KIT

**High Cabinet W600xH2257**



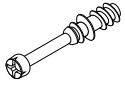
# CONNECT SYSTEM





# HARDWARE

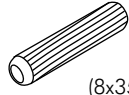
## -BODY SET



**x 18**



**x 18**



(8x35)

**x 28**



M4x30mm.

**x 12**

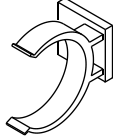


M4x16mm.

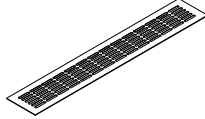
**x 16**



**x 8**



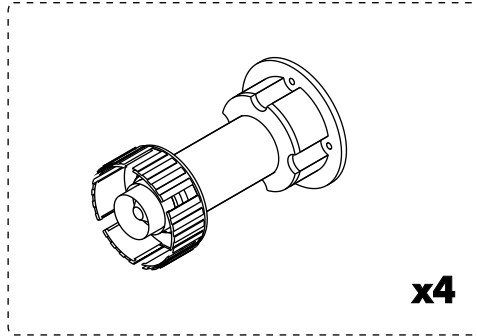
**x 2**



**x 2**

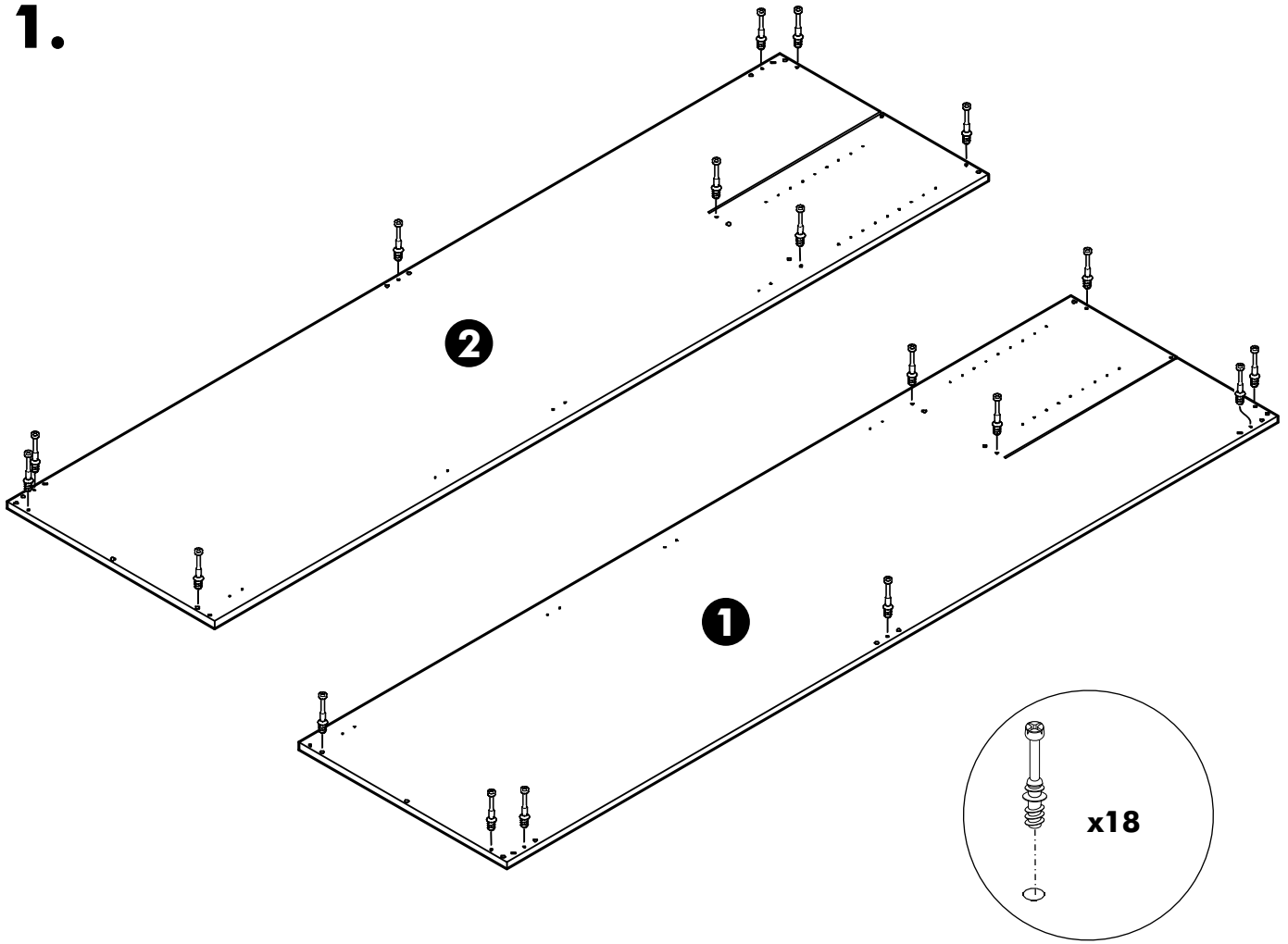


**x 4**

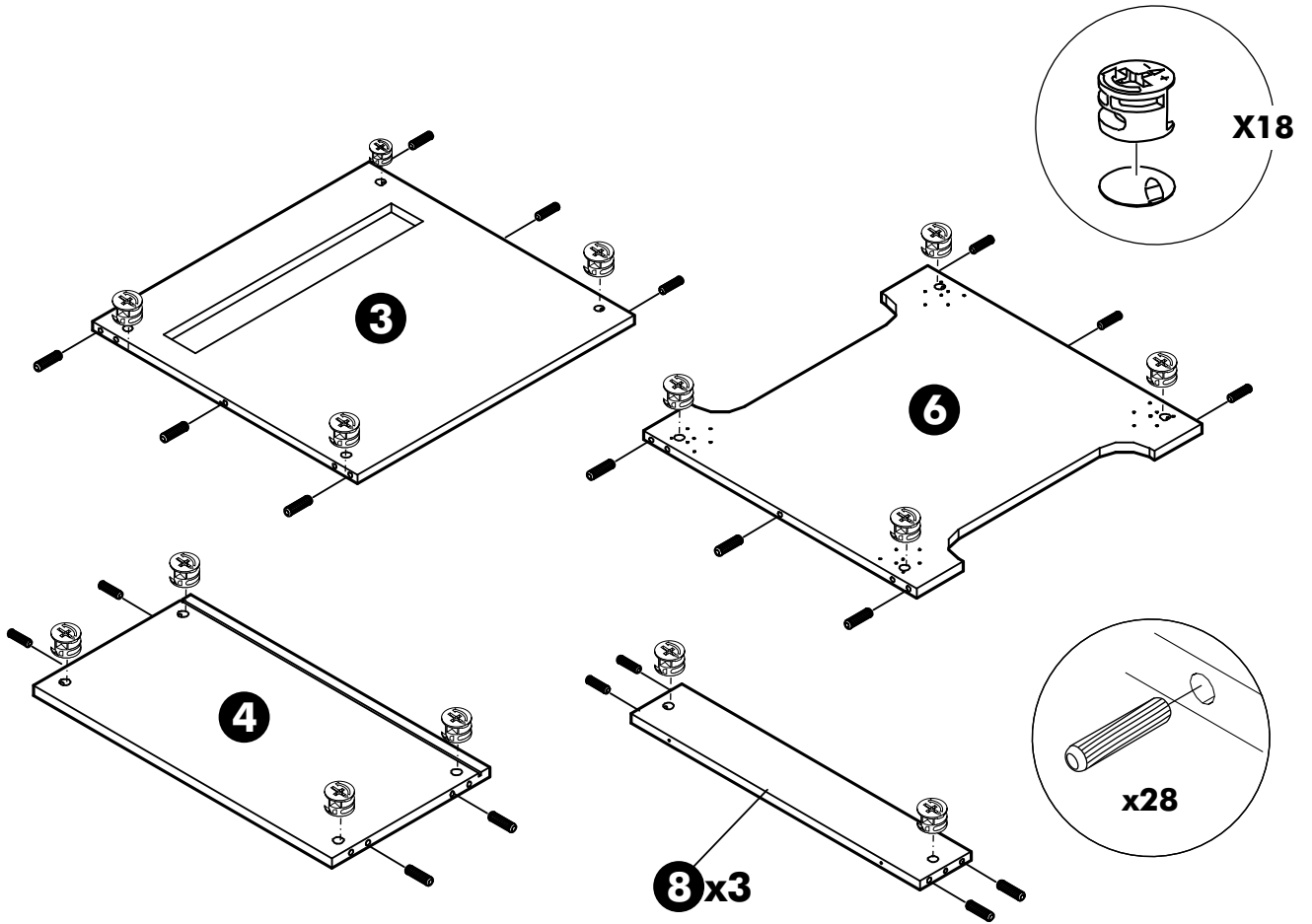


**x4**

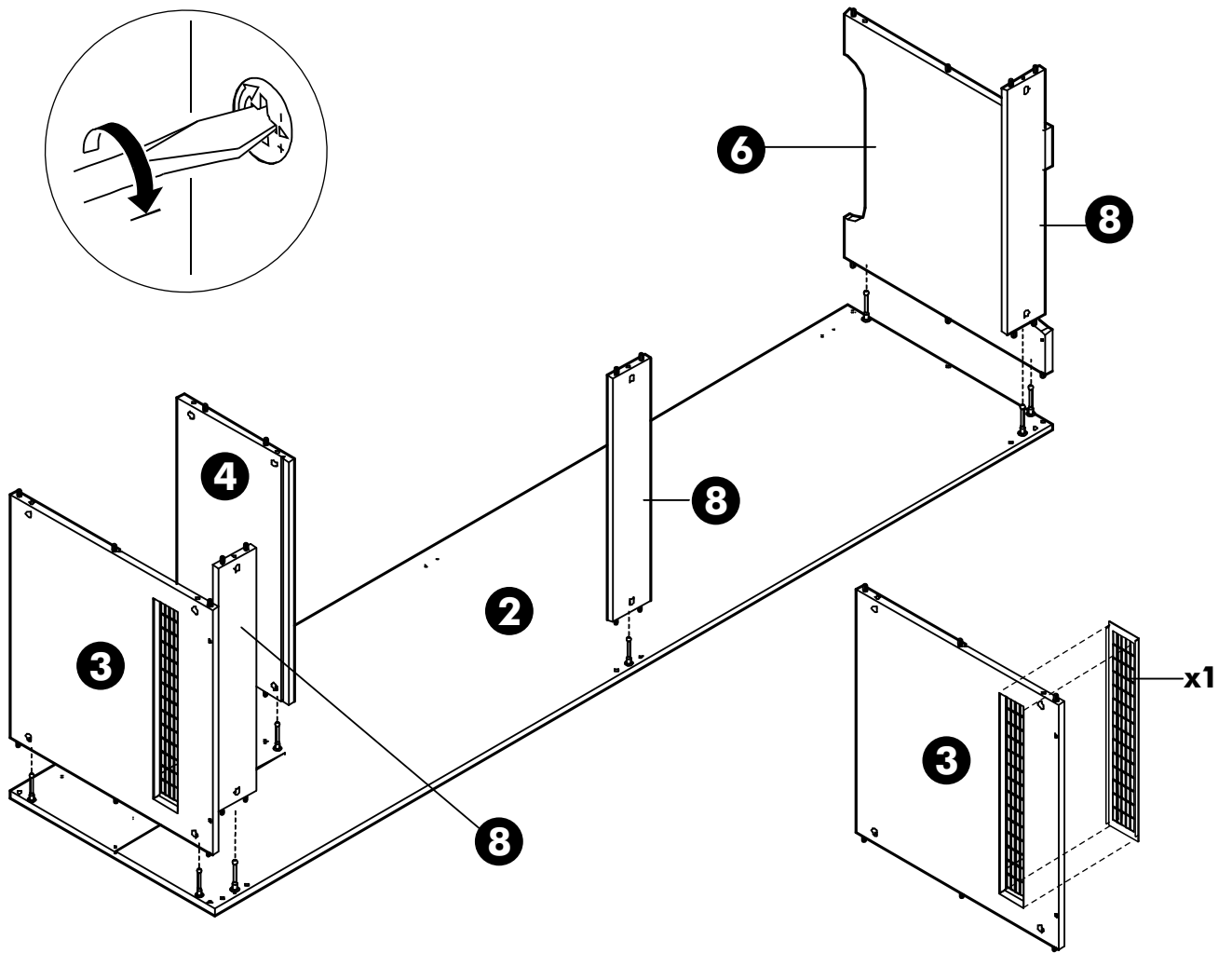
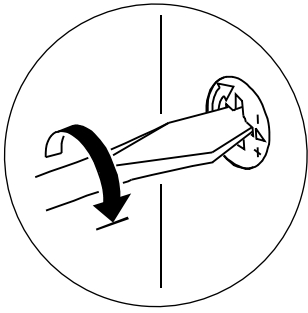
**1.**



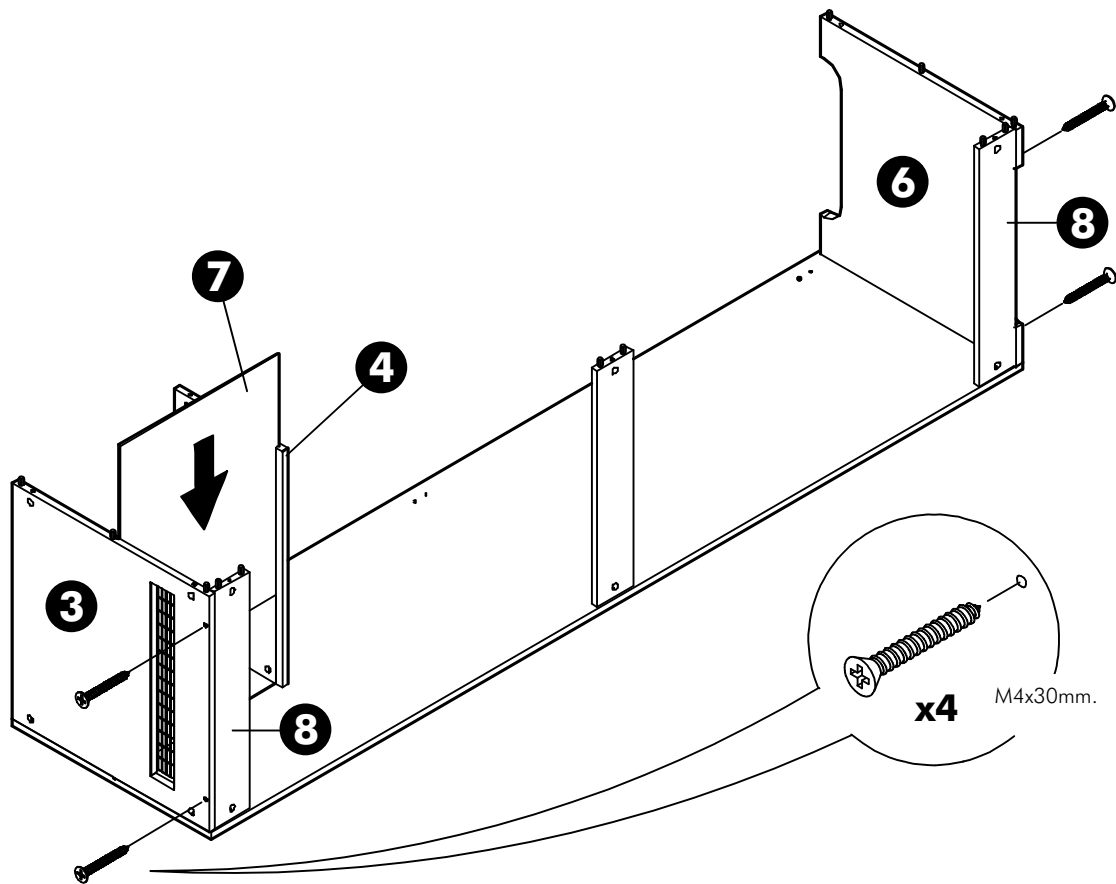
**2.**



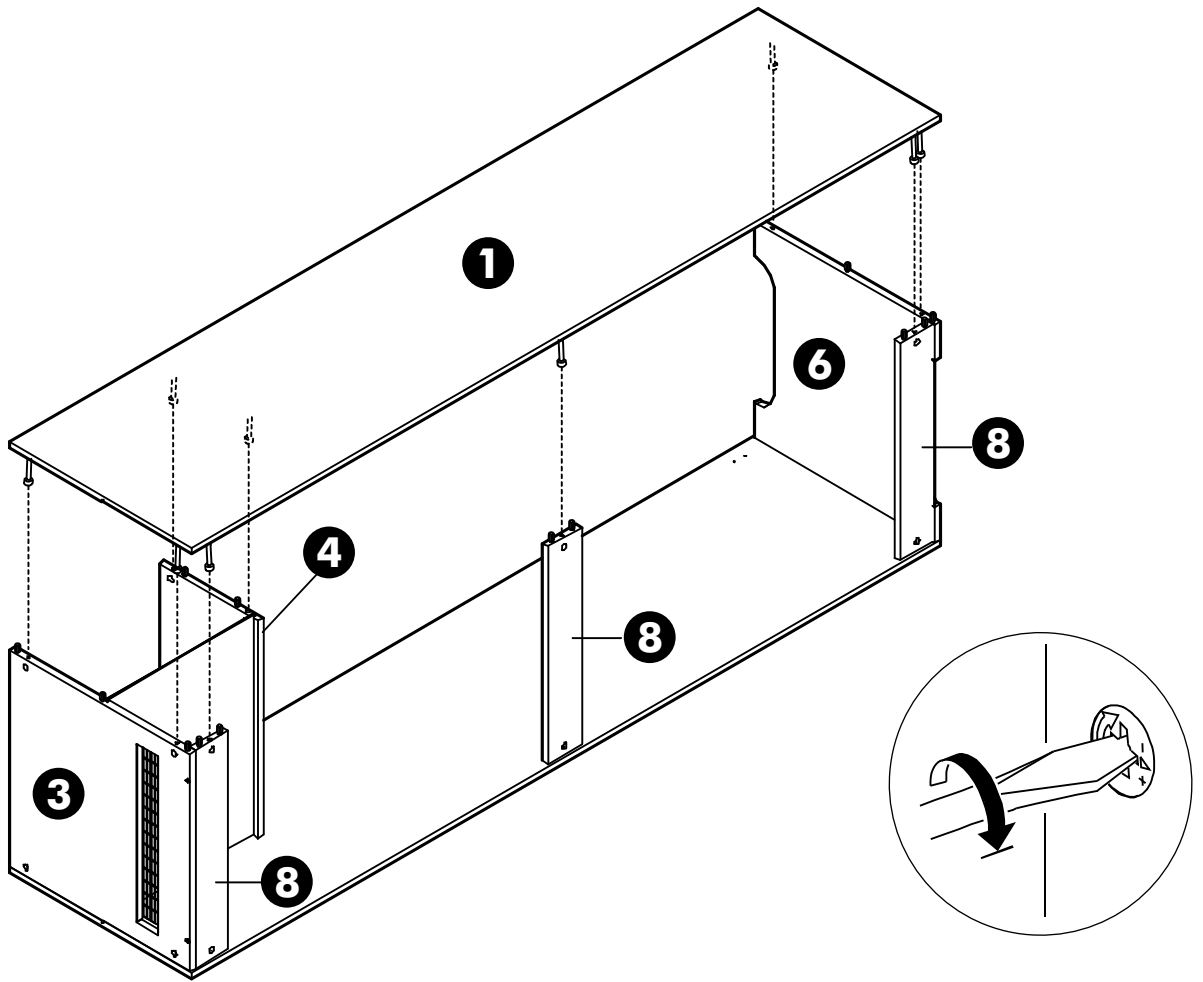
**3.**



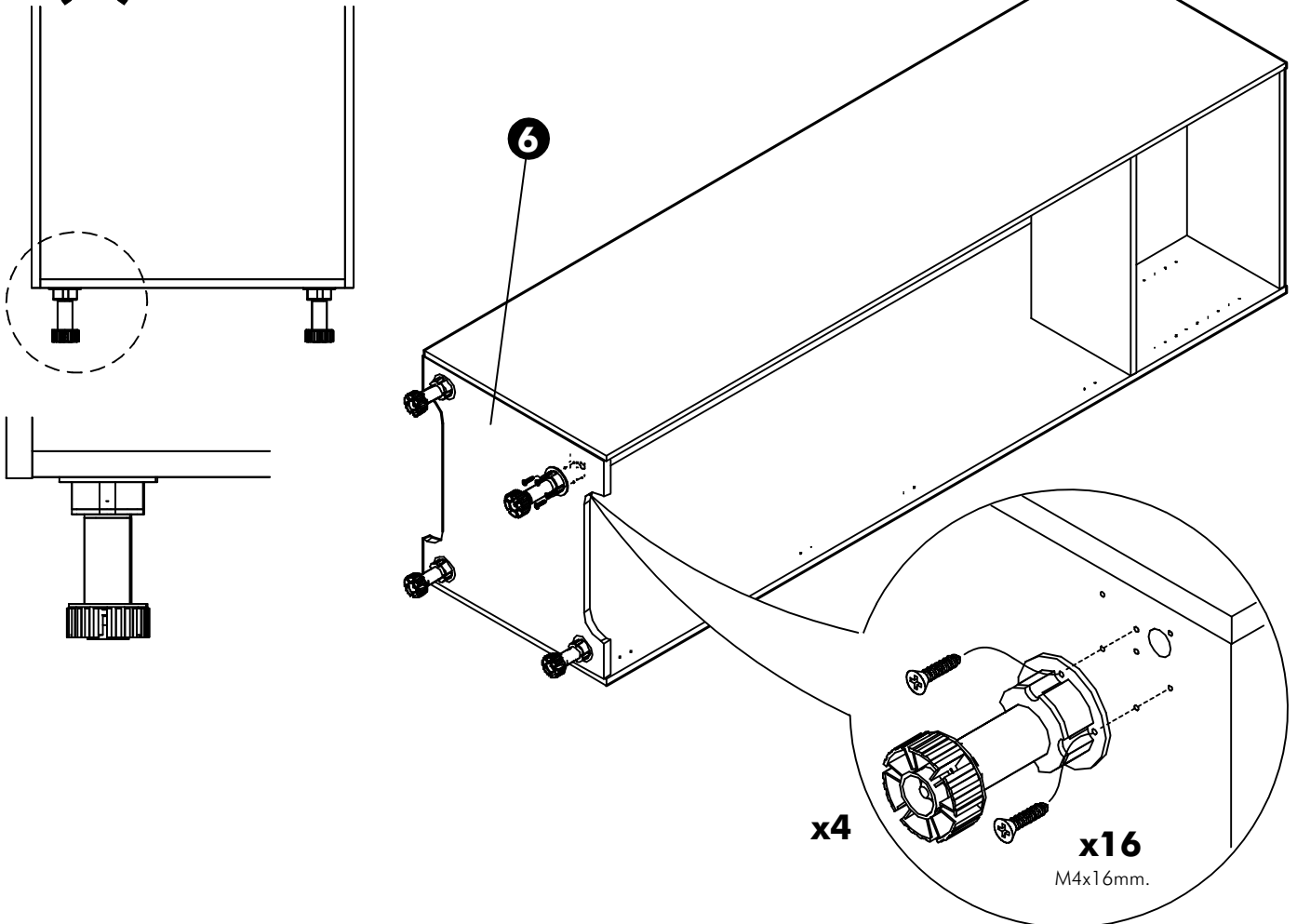
**4.**



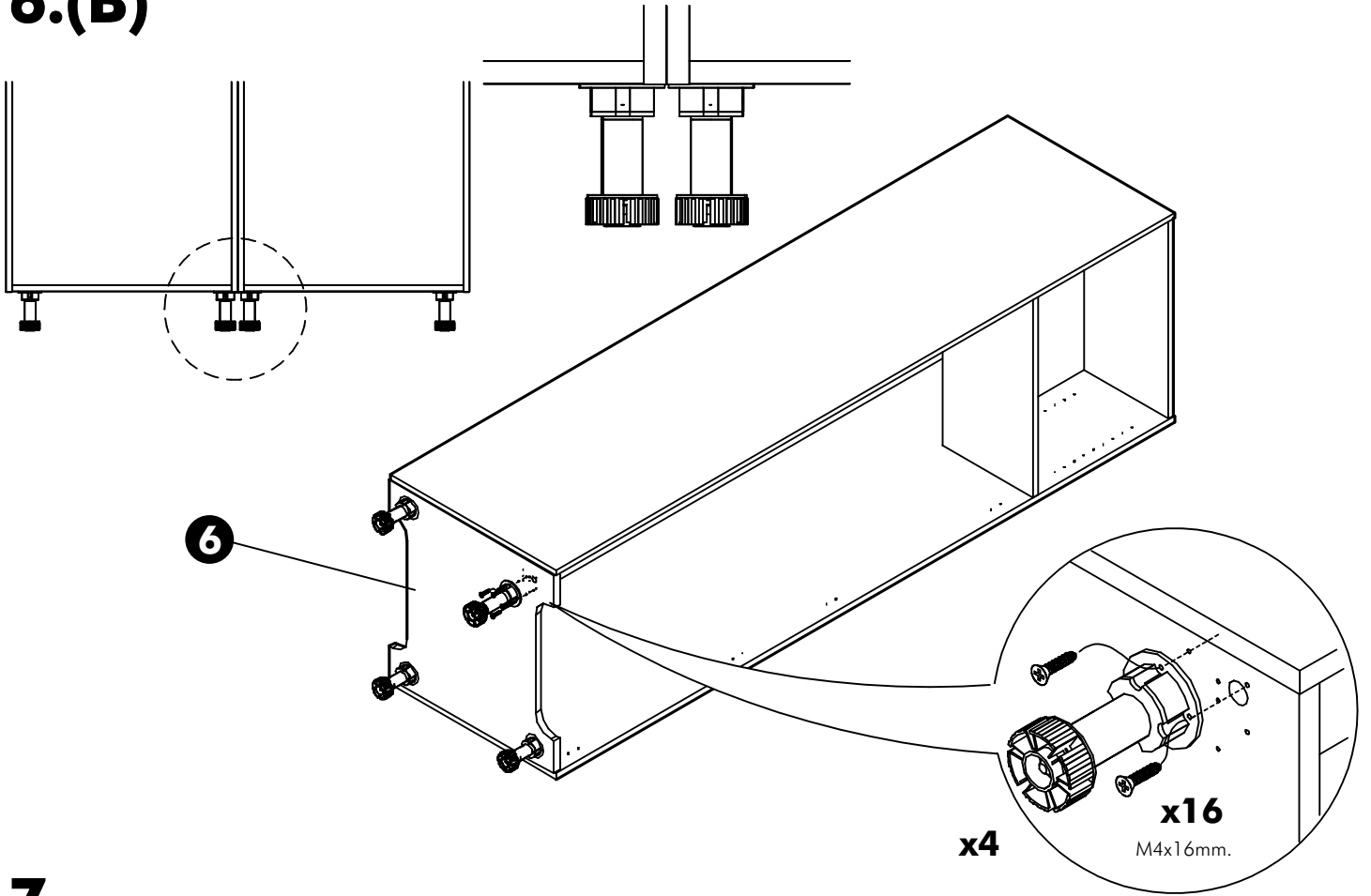
**5.**



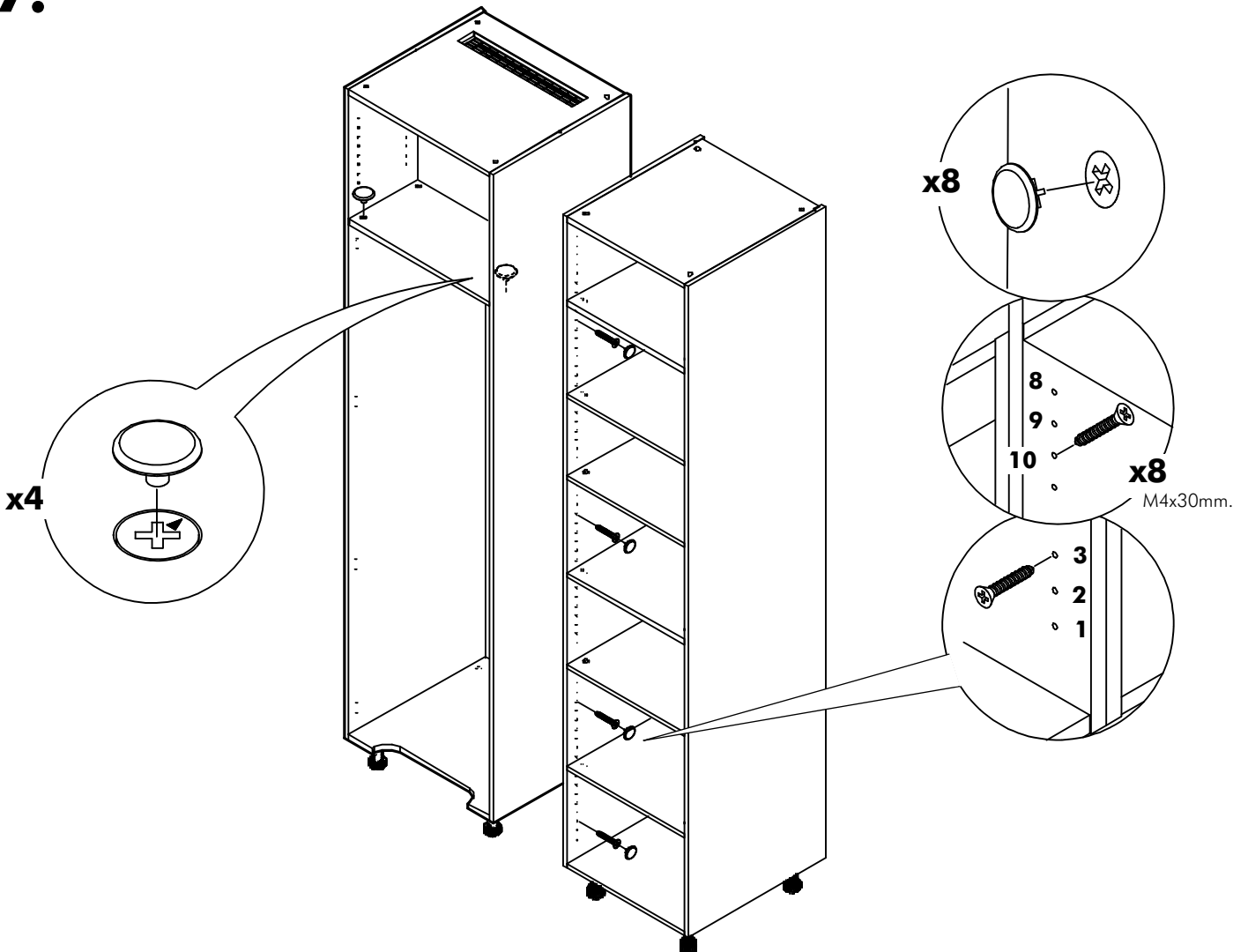
**6.(A)**



# 6.(B)



# 7.



8.

