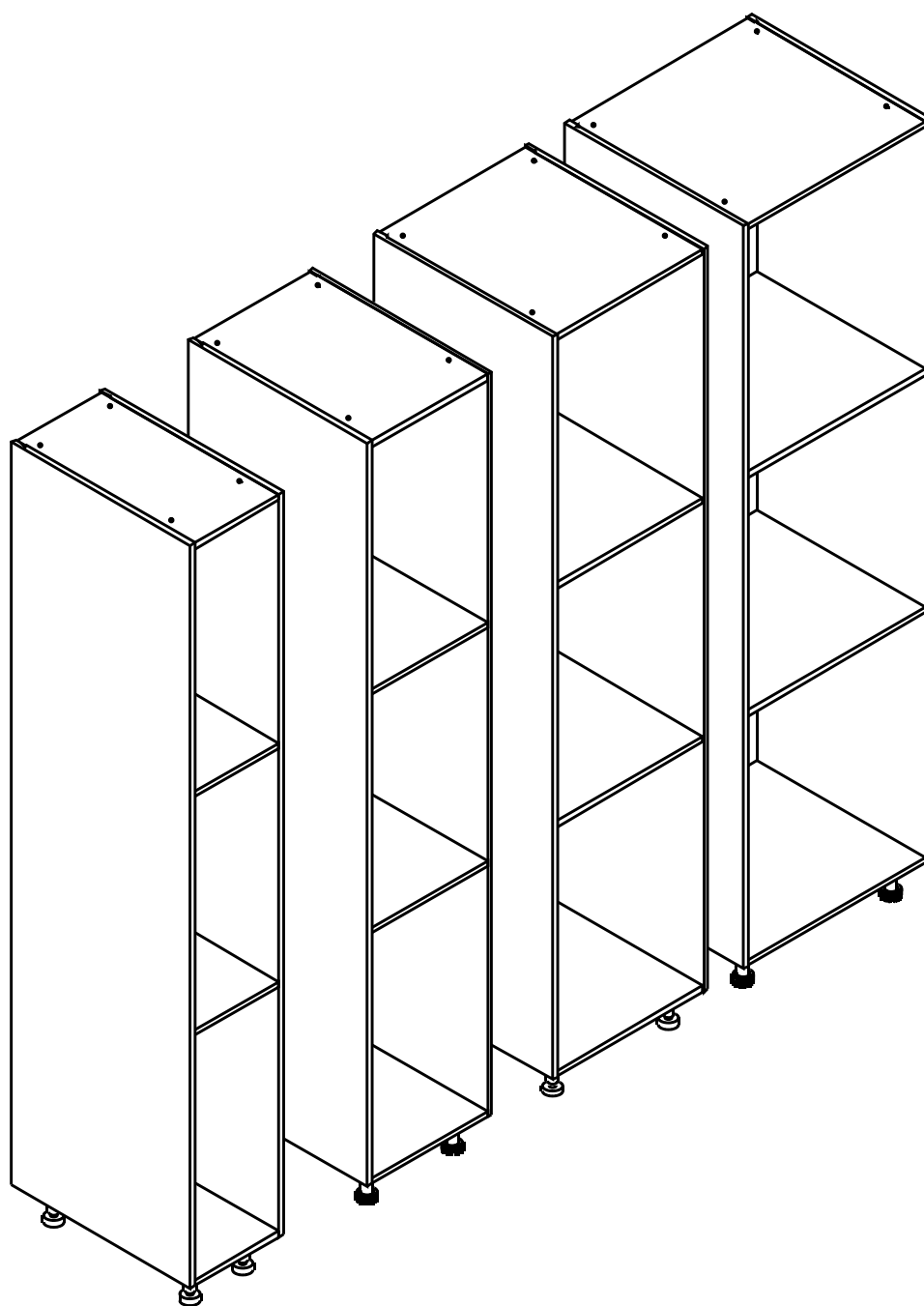


SMART KIT

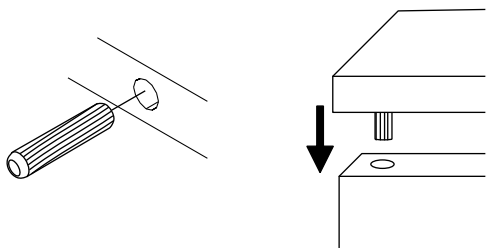
High Cabinet W300-400xH2047

High Cabinet W500-600xH2047

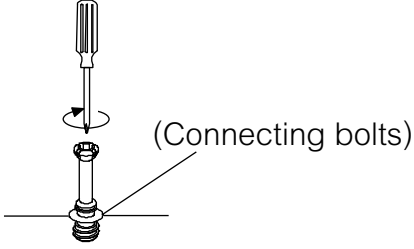


CONNECT SYSTEM

1

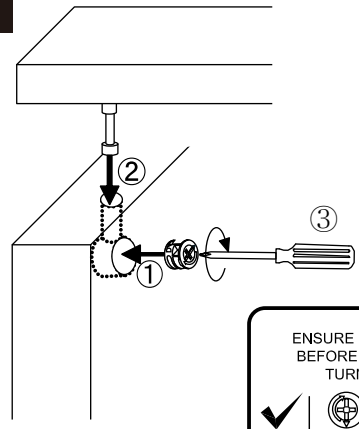


2





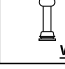



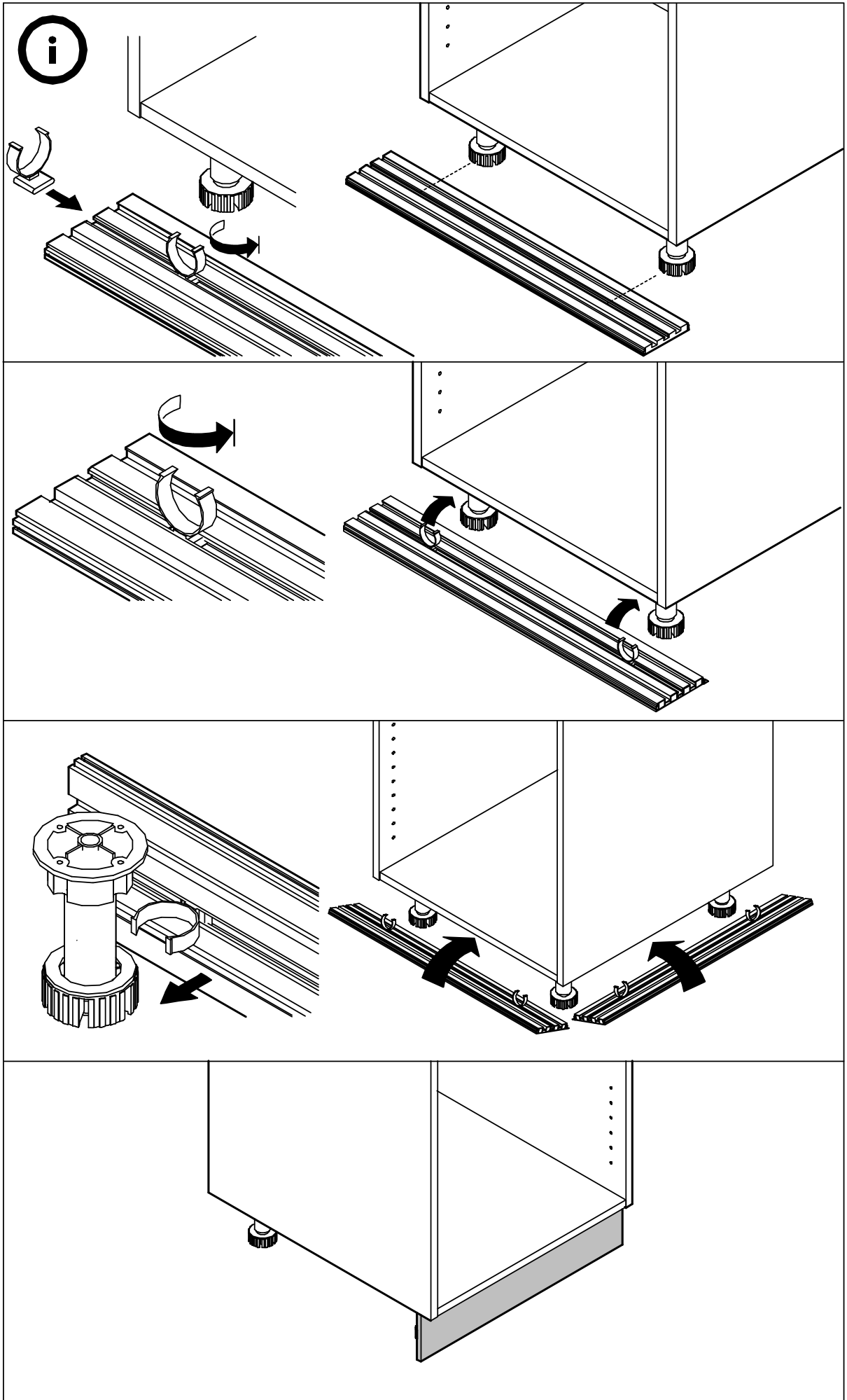
(Connecting bolts)

3



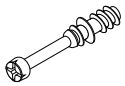
WHEN FITTING CAMS
ENSURE STARTING POSITION IS CORRECT
BEFORE YOU INSERT CONNECTING BOLT
TURN CLOCKWISE UNTIL SECURE

✓				✗
				
	CORRECT	WRONG		



HARDWARE

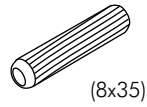
-BODY SET



x 10



x 10



(8x35)

x 16



M4x30mm.

x 8

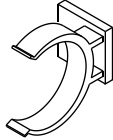


M4x16mm.

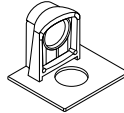
x 16



x 8



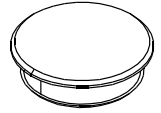
x 2



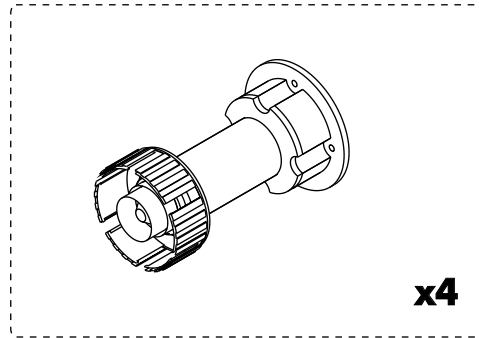
x 8



x 8

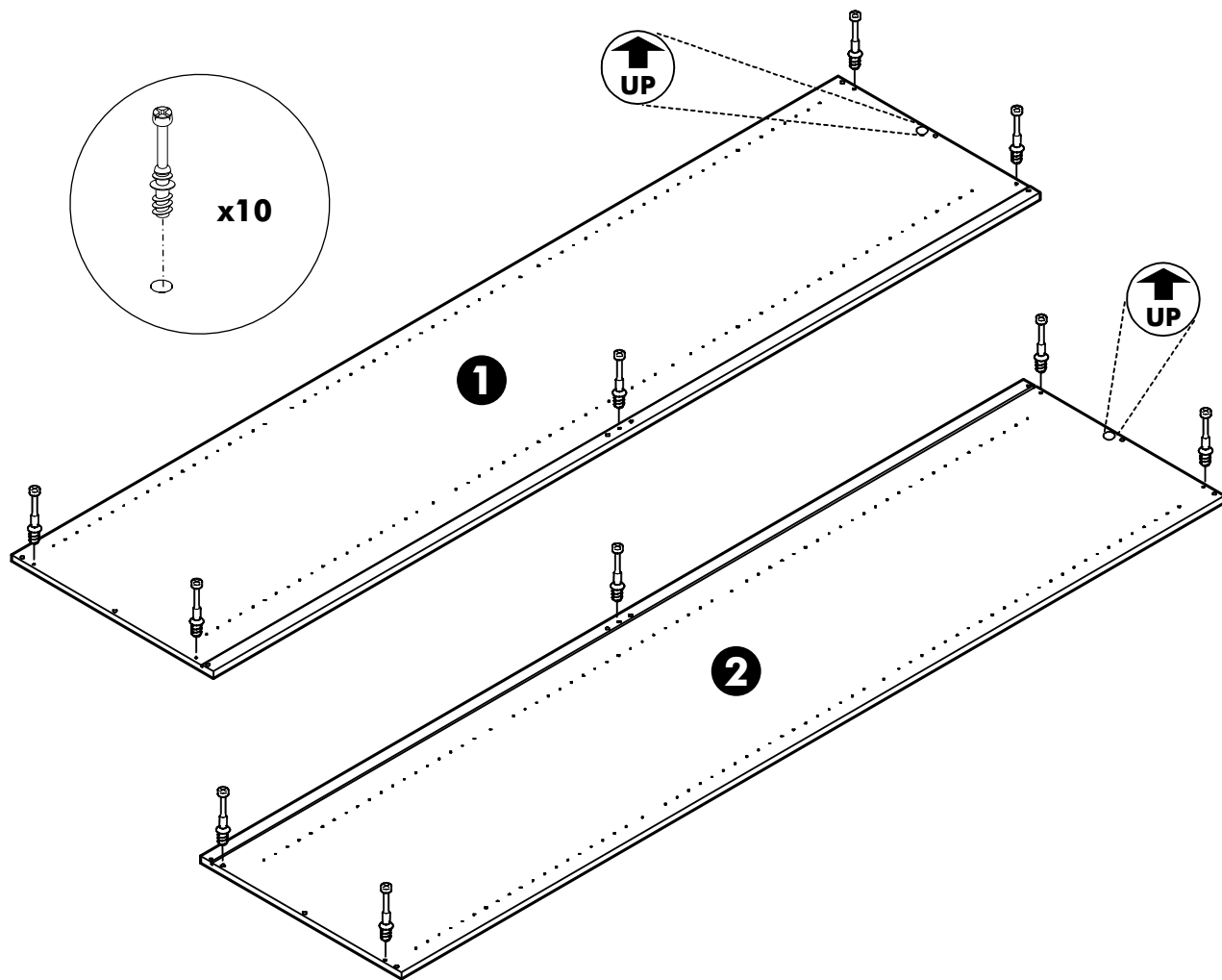


x 5

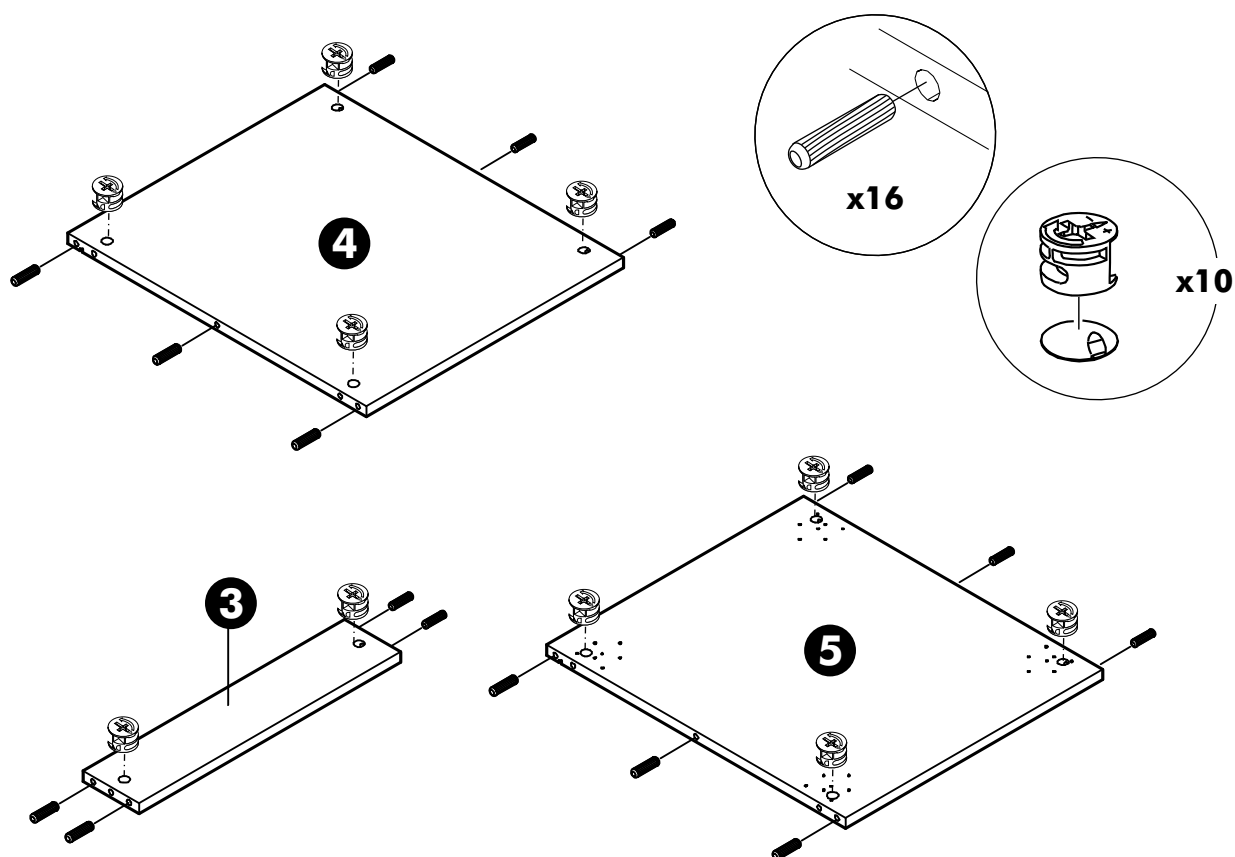


x4

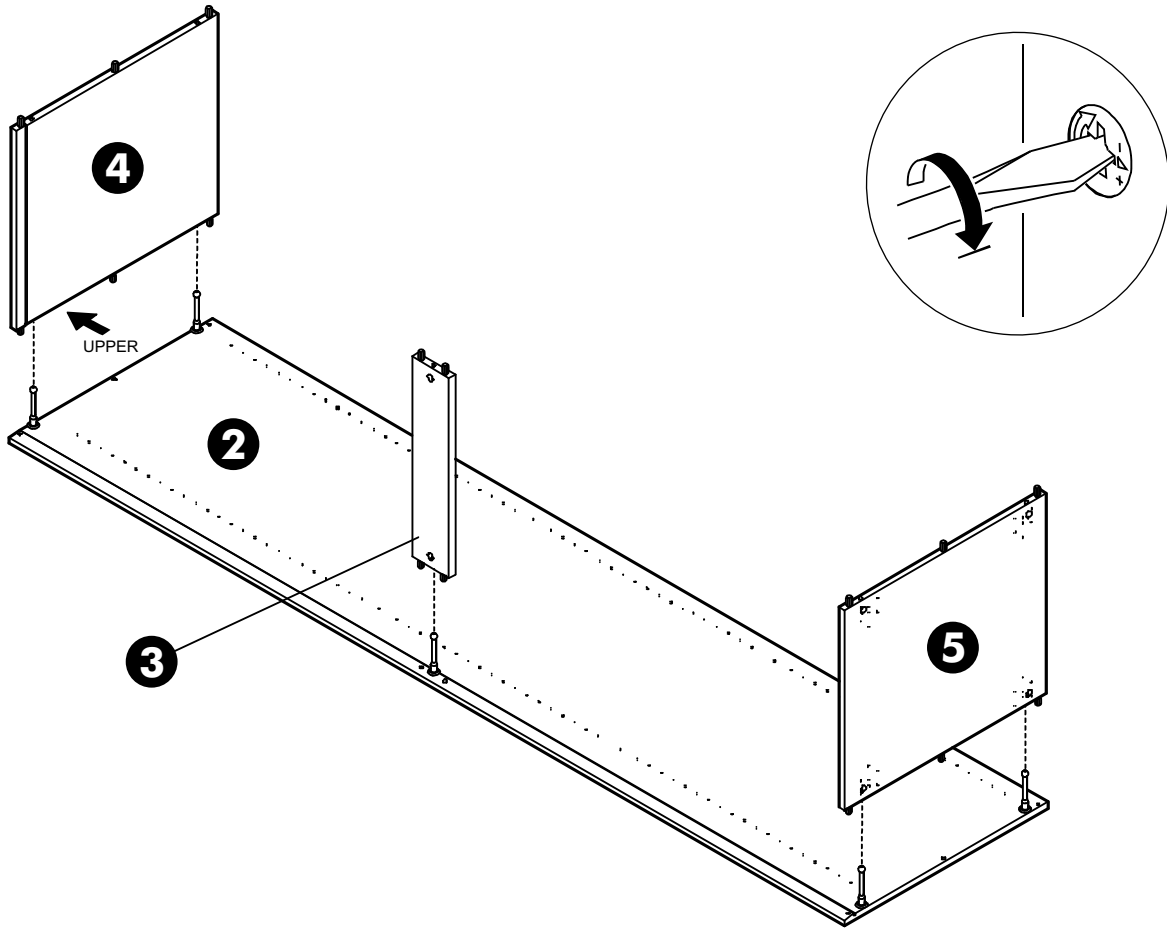
1.



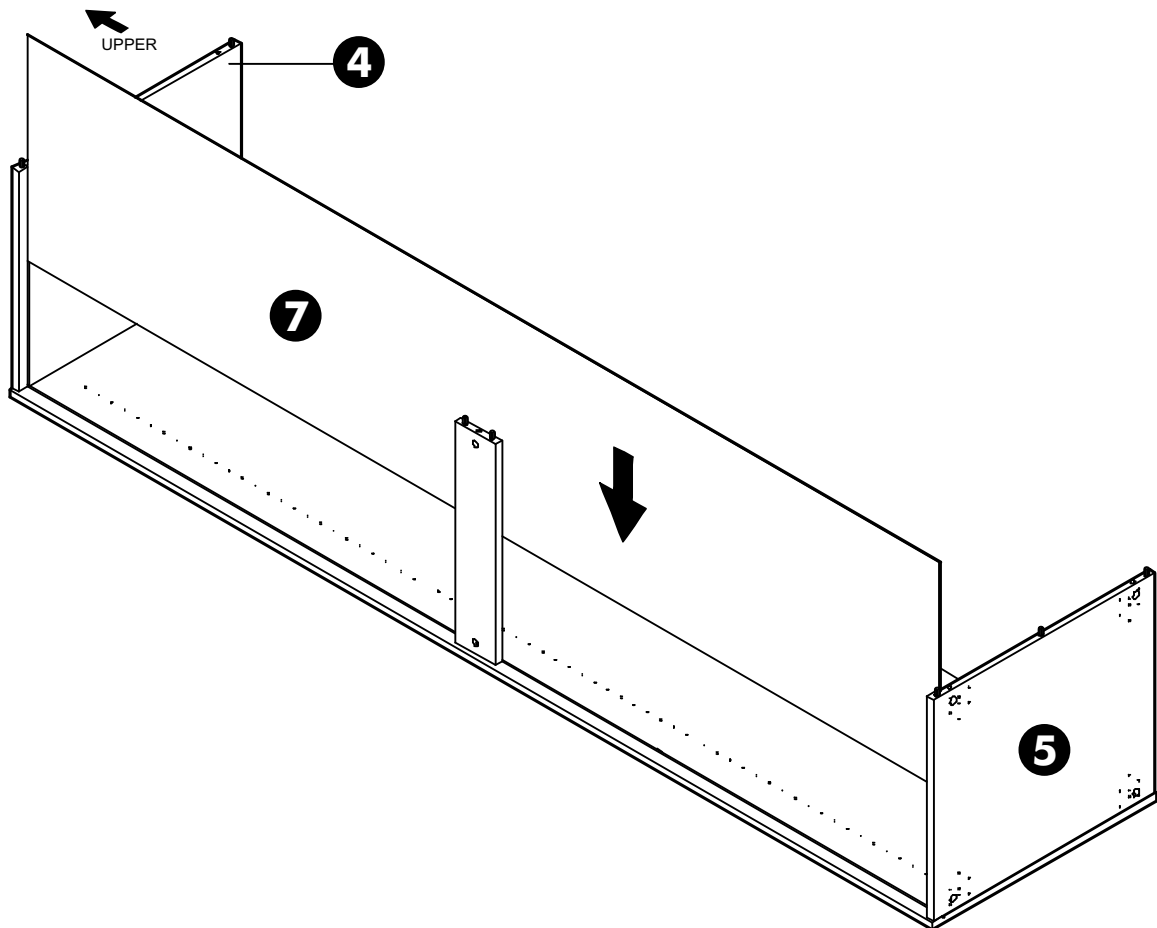
2.



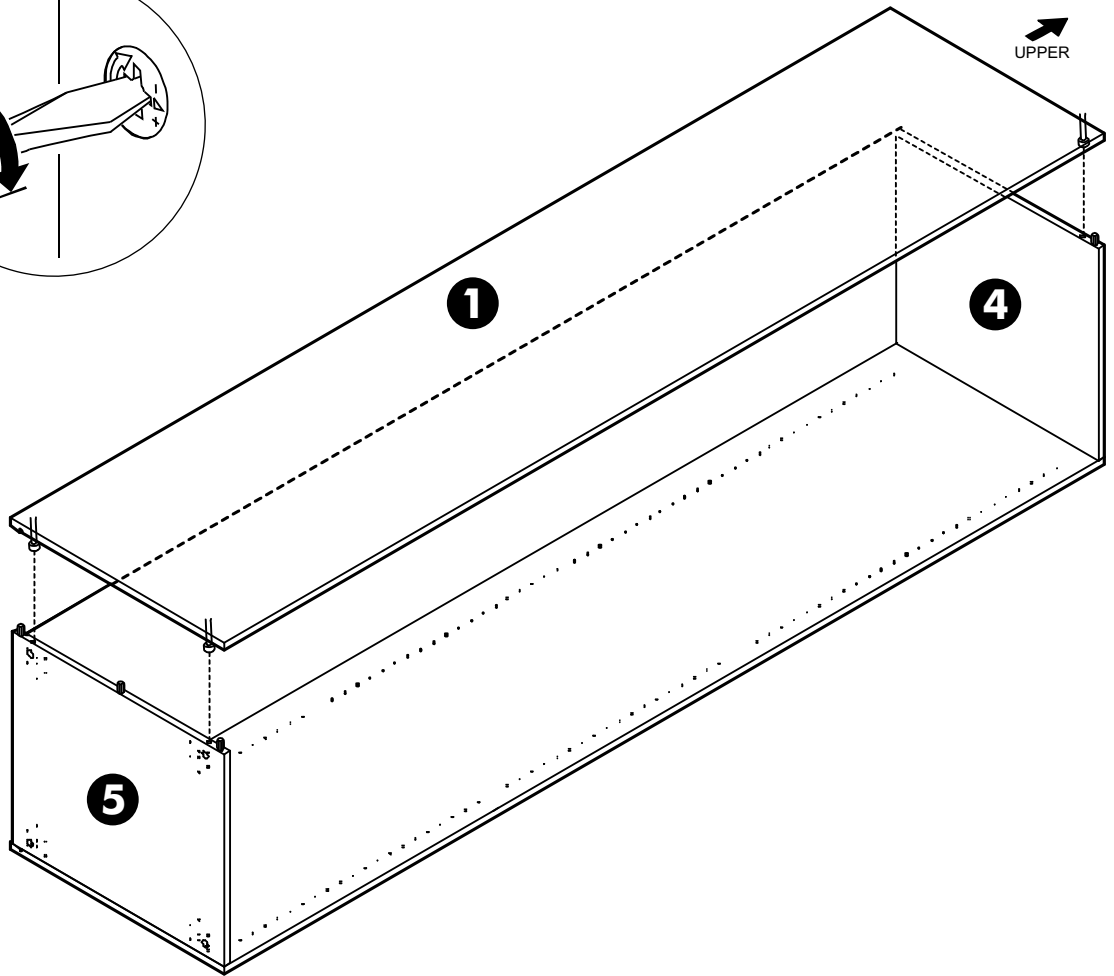
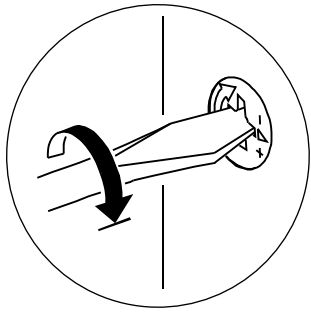
3.



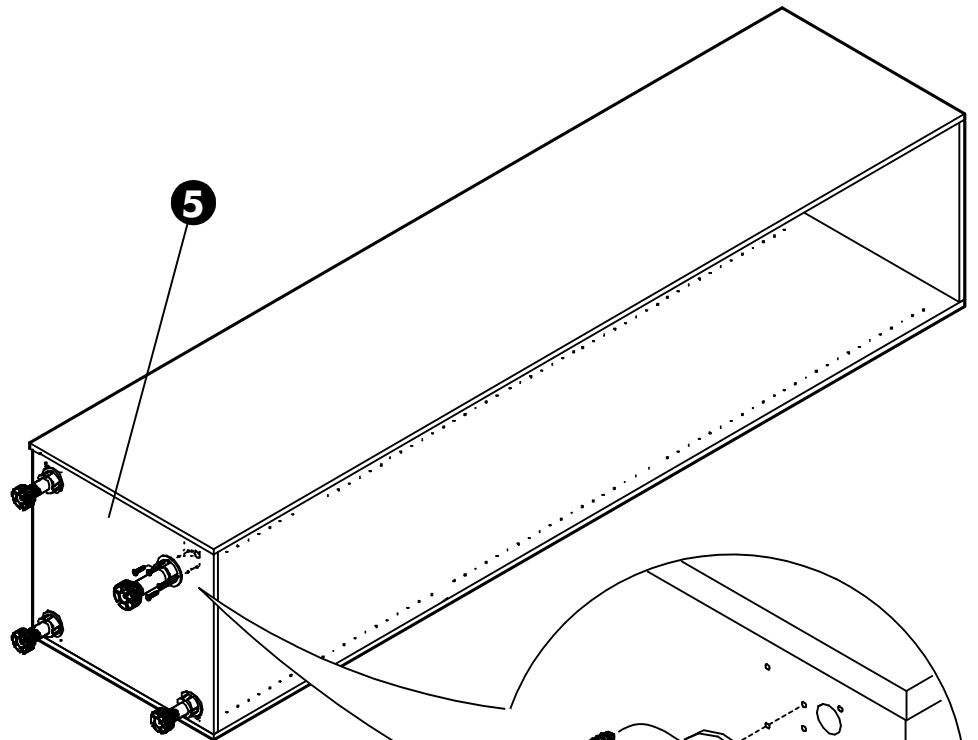
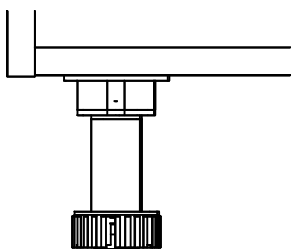
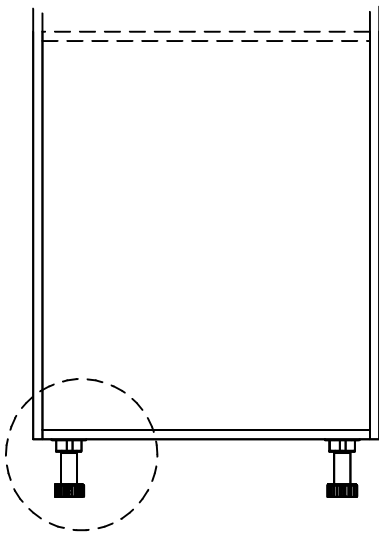
4.



5.



6.(A)

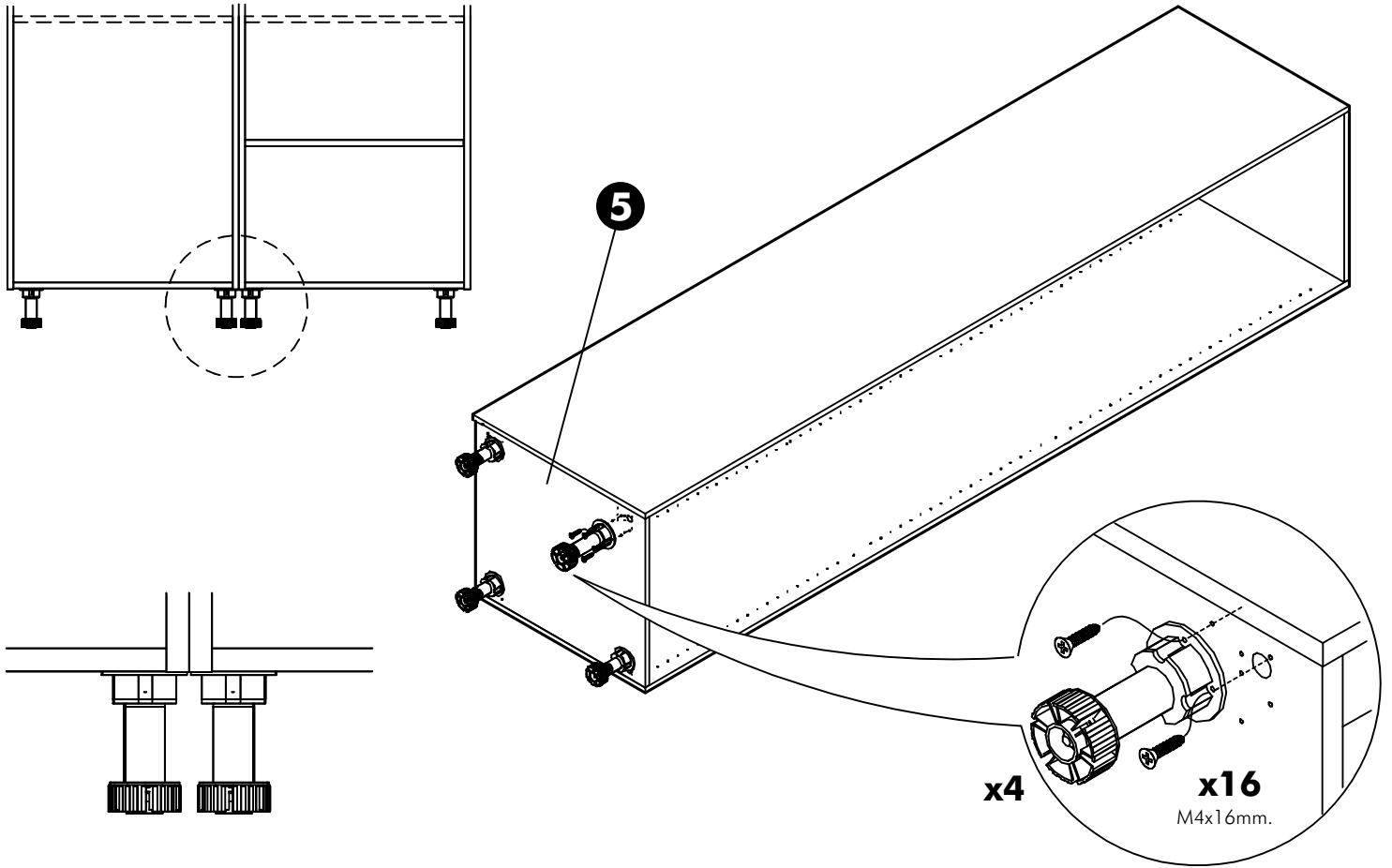


x4

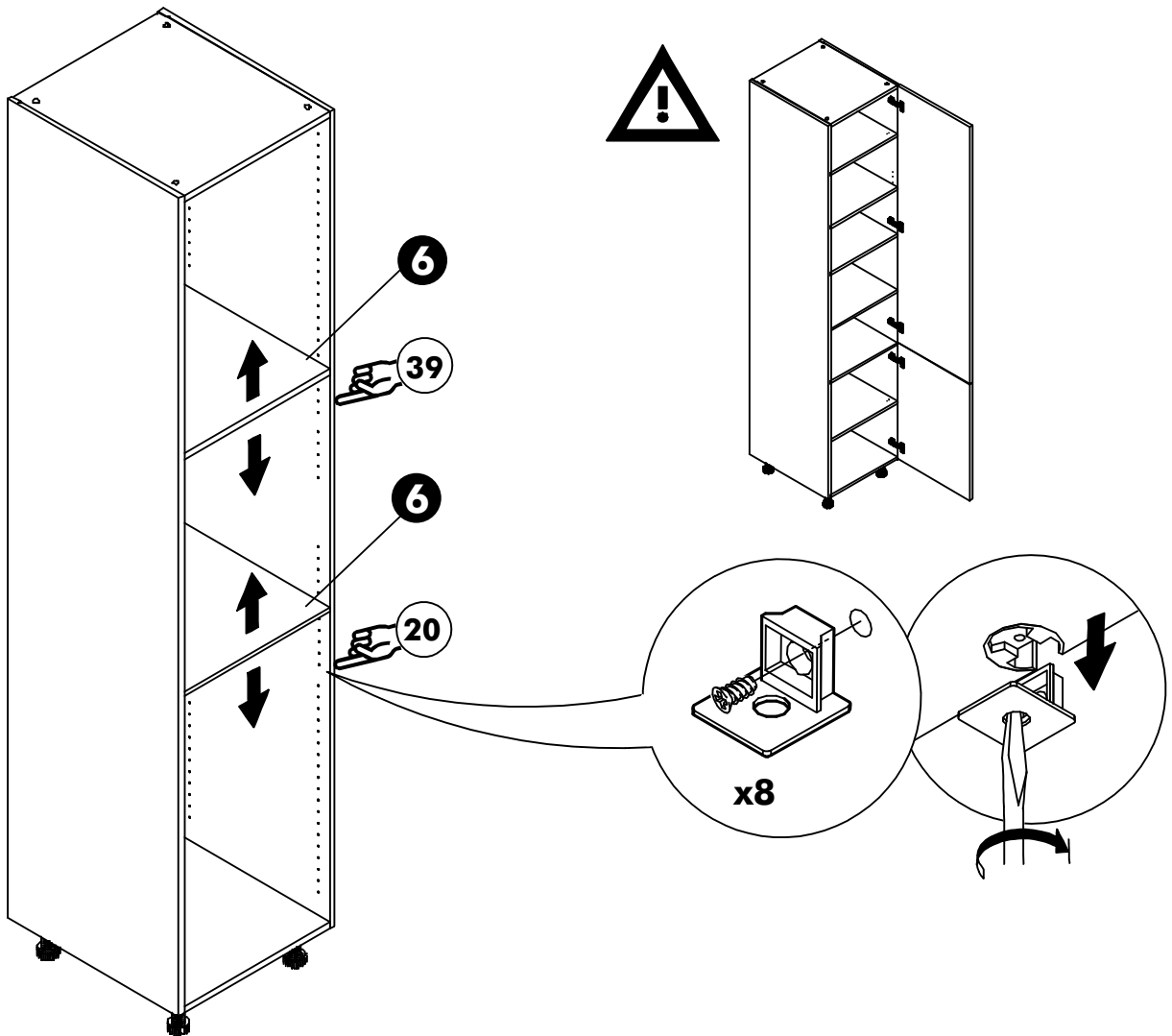
x16

M4x1.6mm.

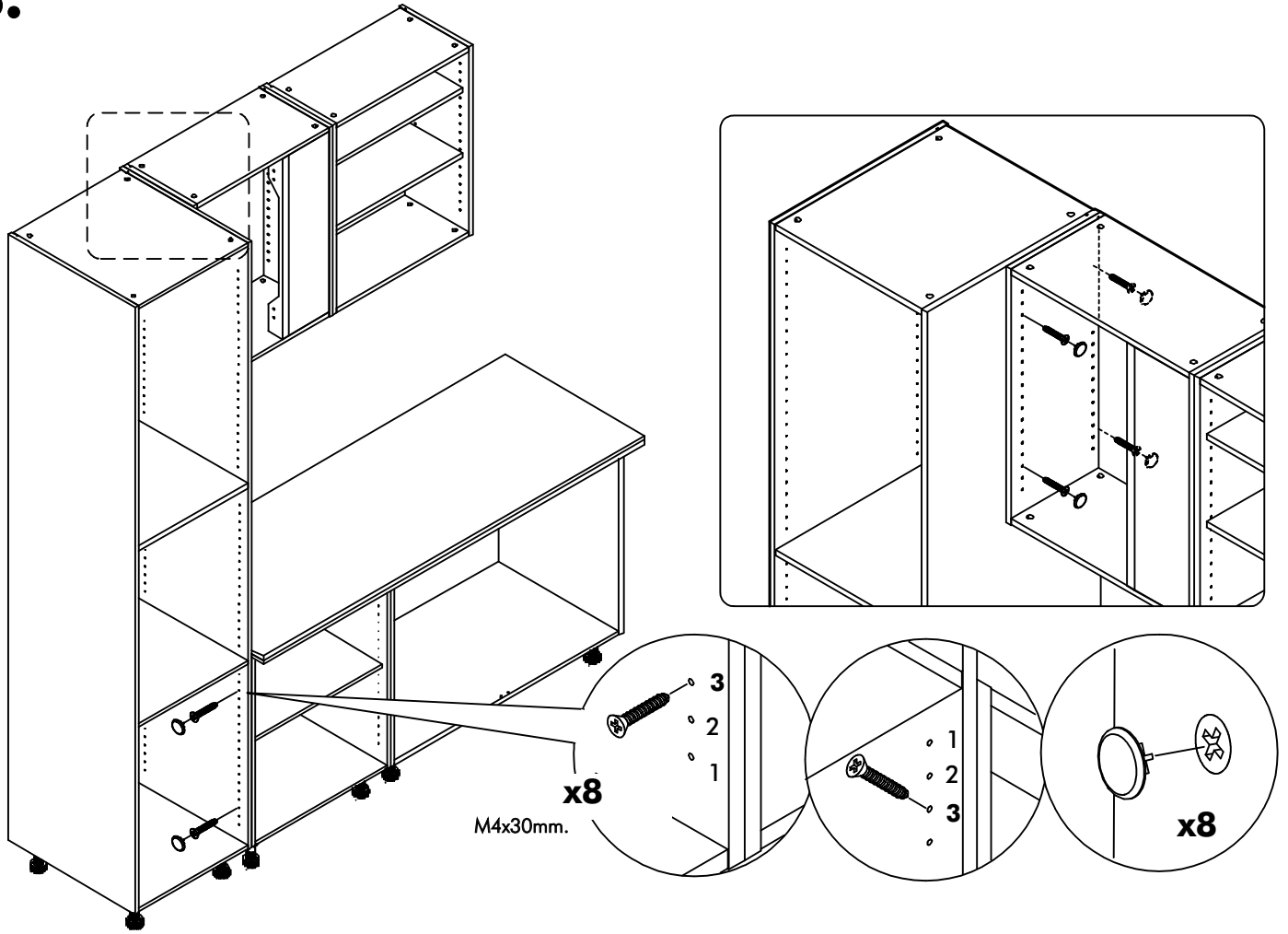
6.(B)

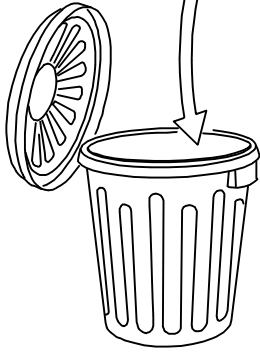
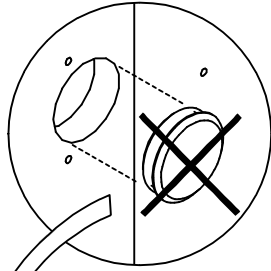


7.



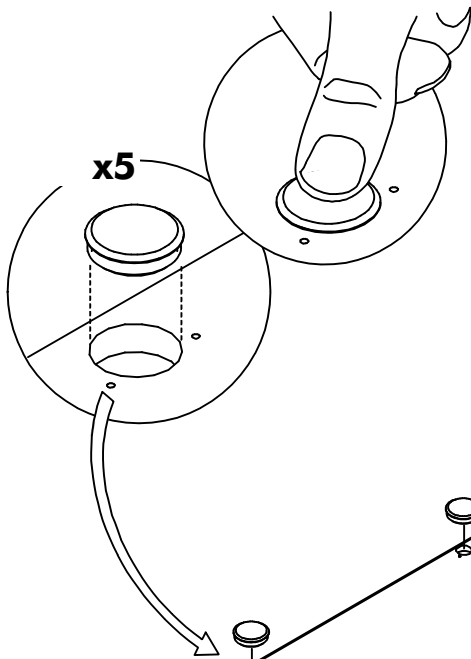
8.





Door high cabinet

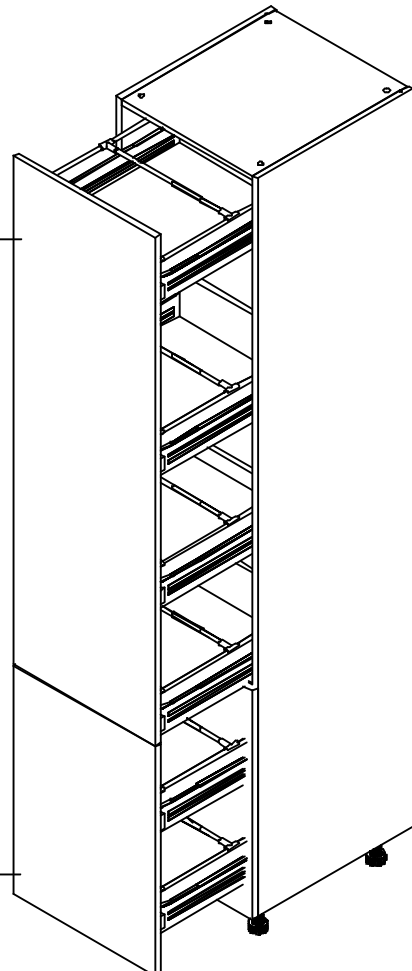
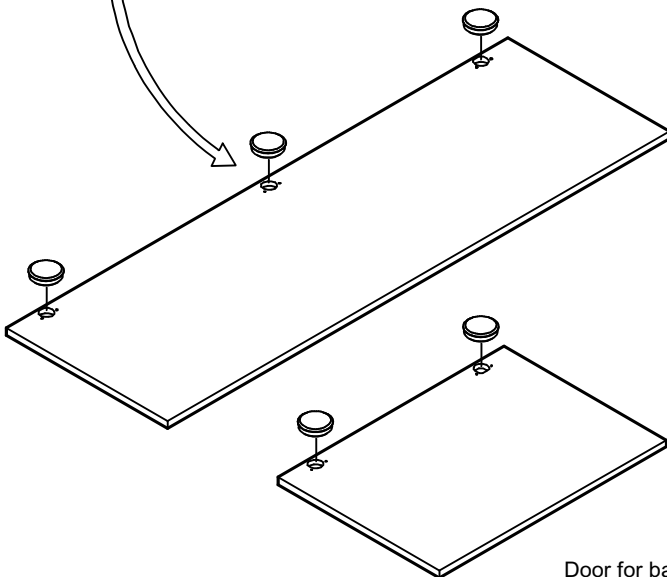
Door for base

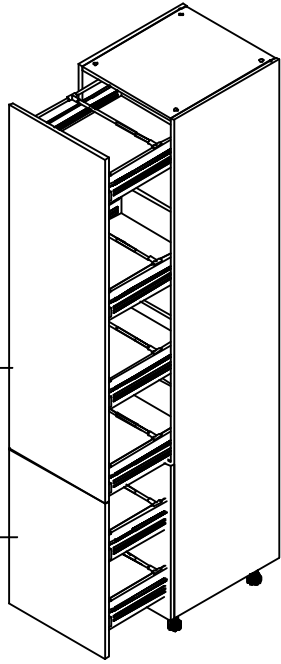


x5

Door high cabinet

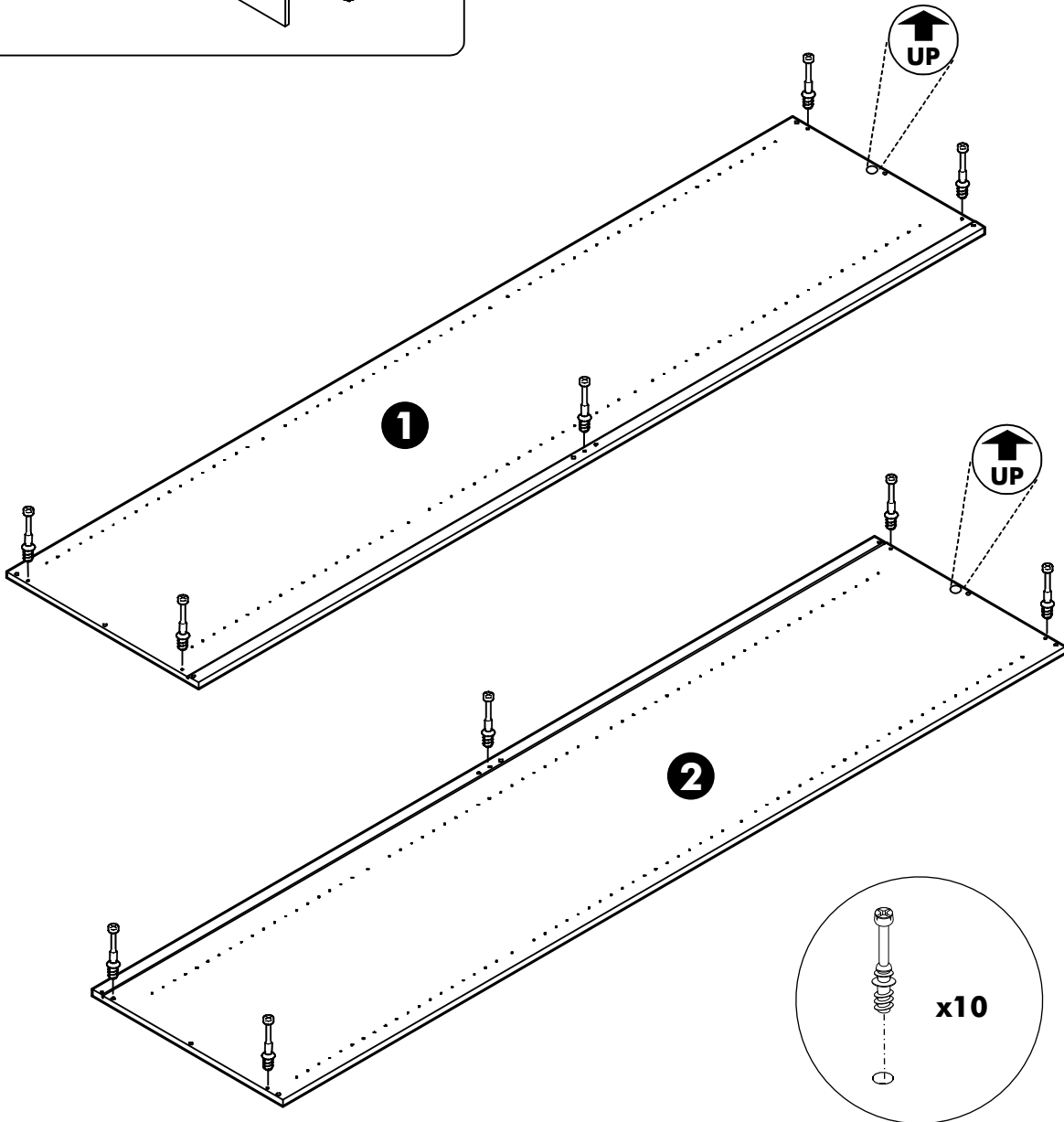
Door for base





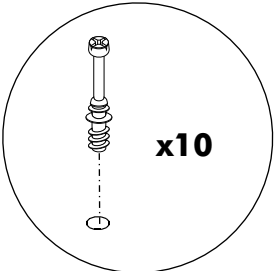
Door high cabinet

Door for base

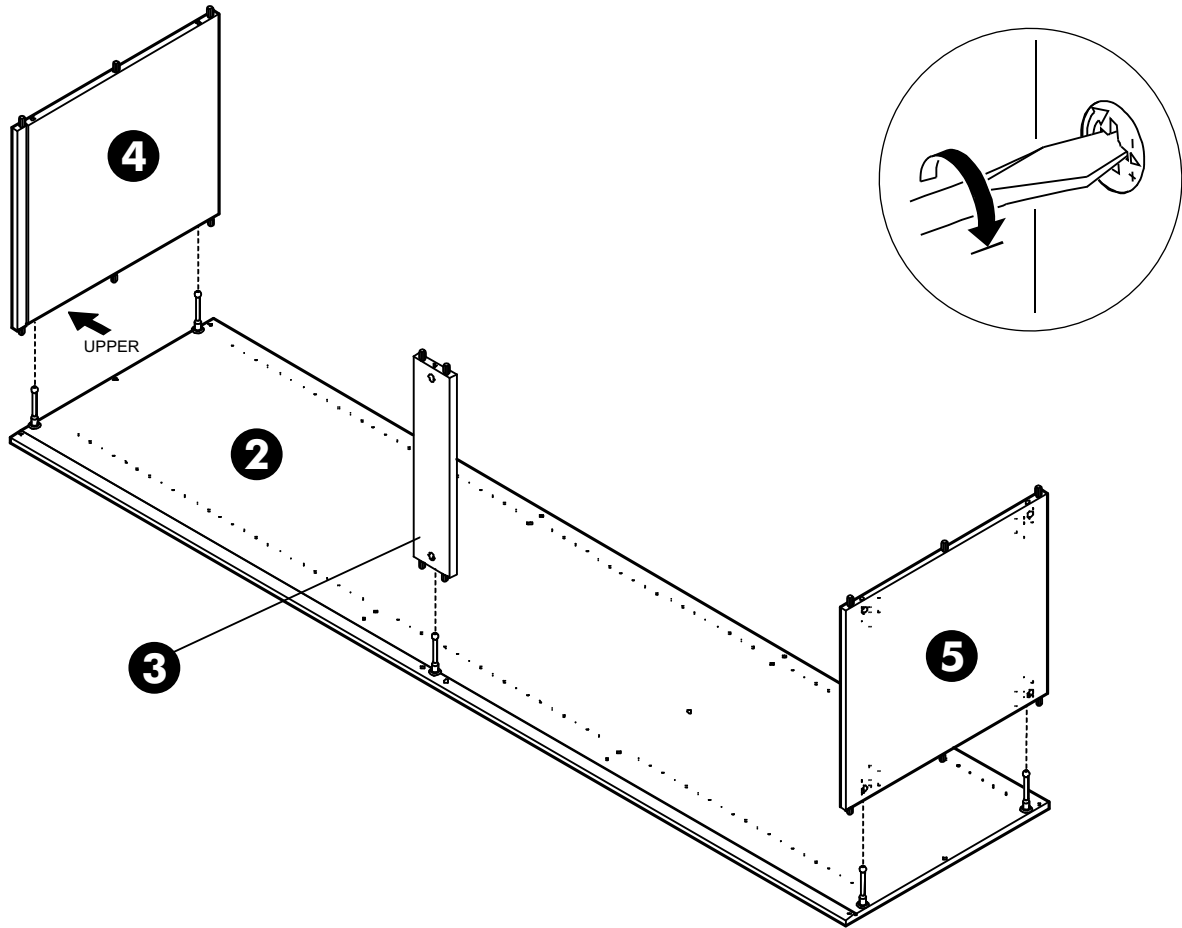


1

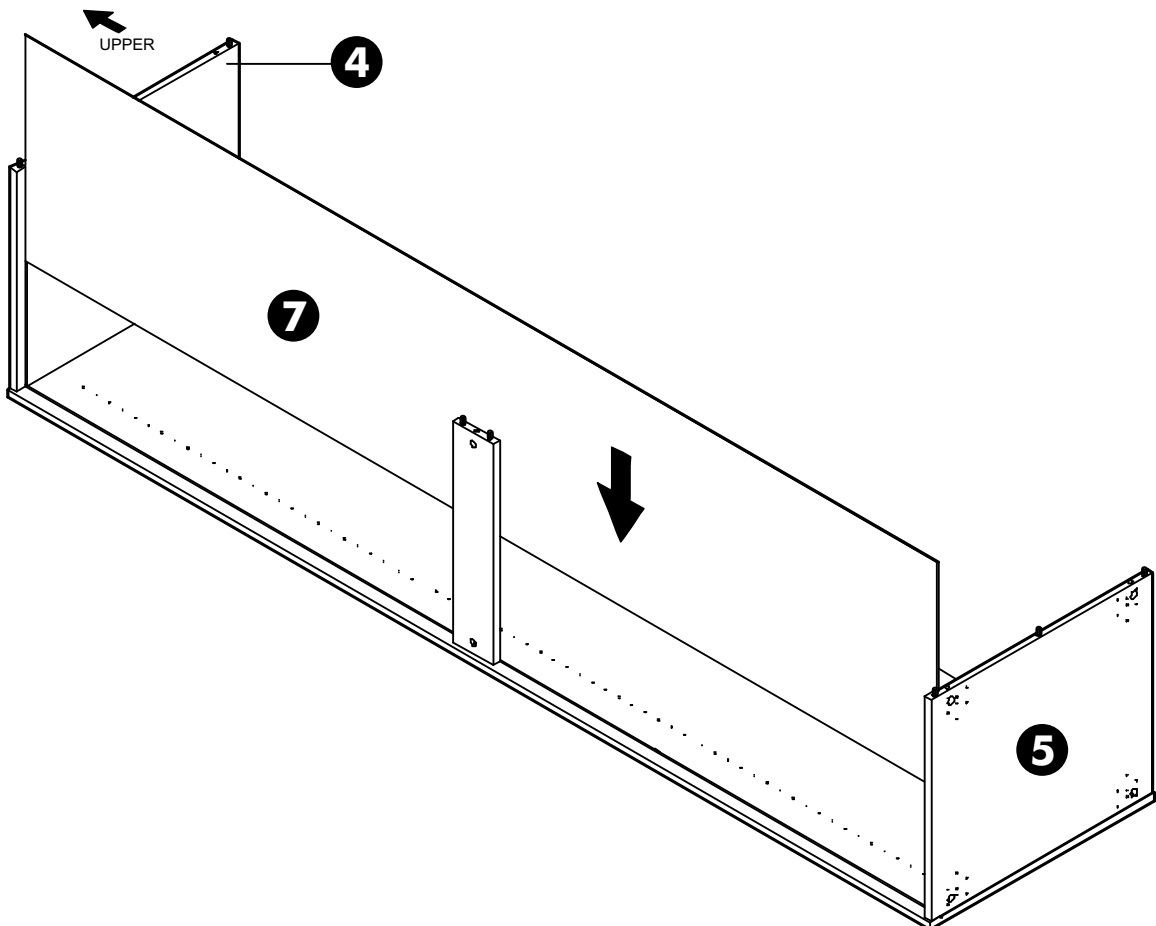
2



2.



3.



4.

