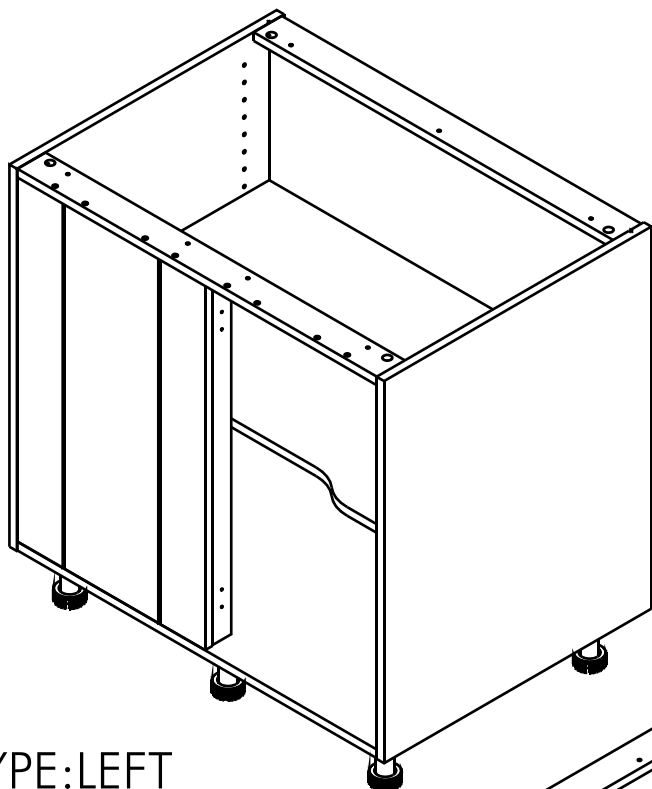
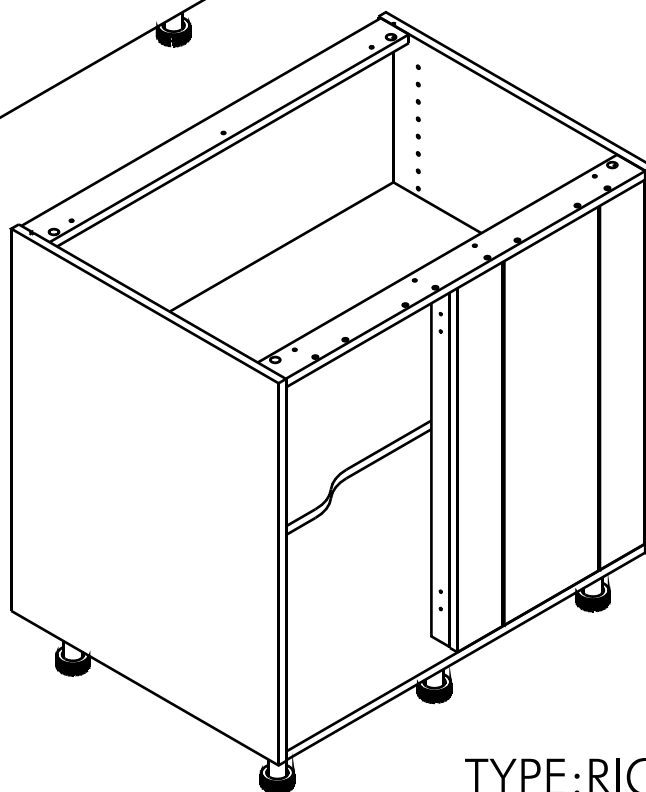


# SMART KIT

## Base Cabinet Corner 80/100

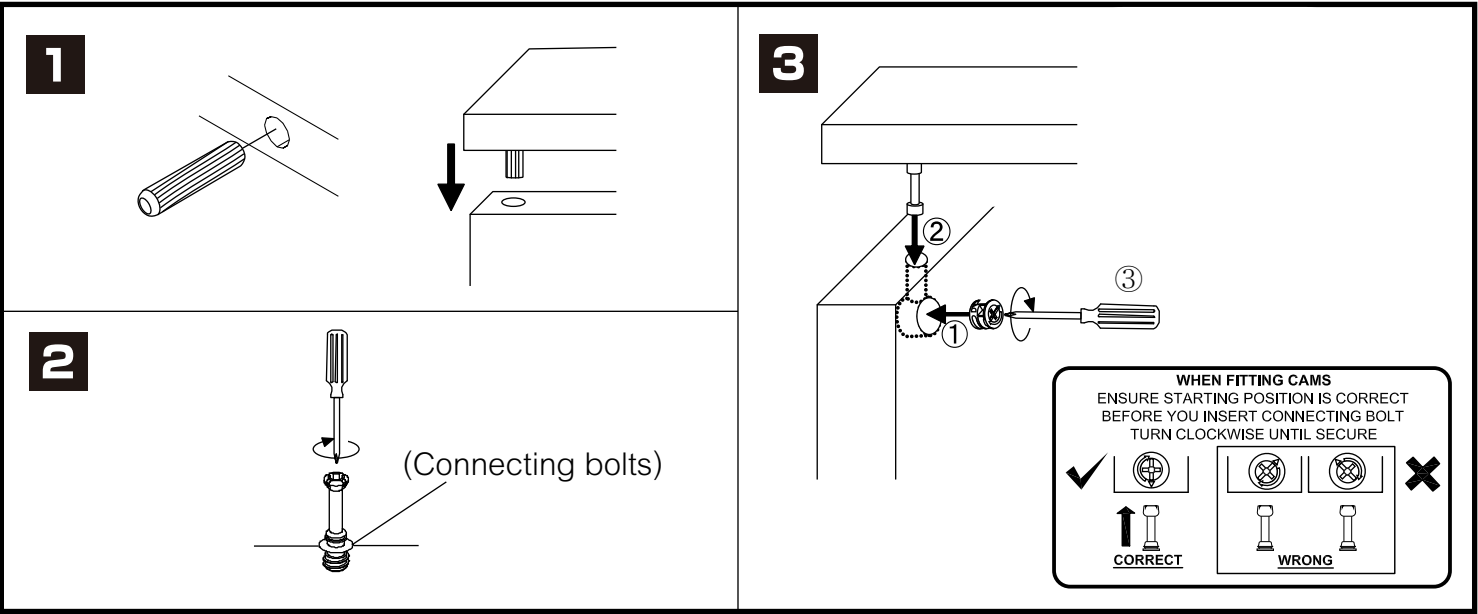


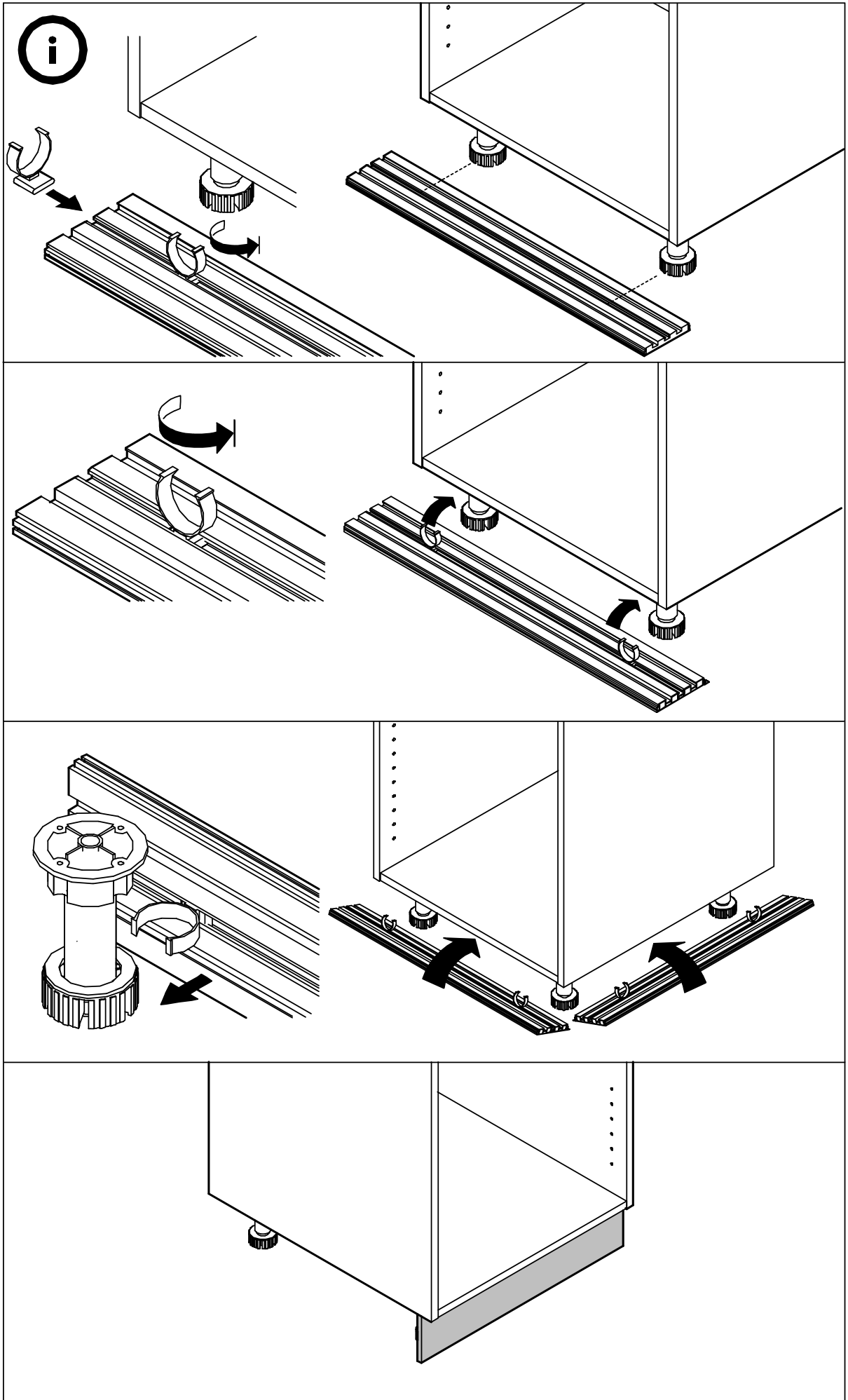
TYPE:LEFT



TYPE:RIGHT

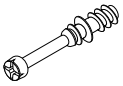
# CONNECT SYSTEM





# HARDWARE

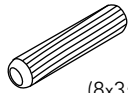
## -BODY SET



**x 8**



**x 8**



(8x35)

**x 10**



M4x30mm.

**x 14**

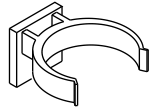


M4x16mm.

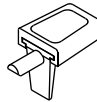
**x 20**



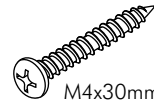
**x 4**



**x 2**

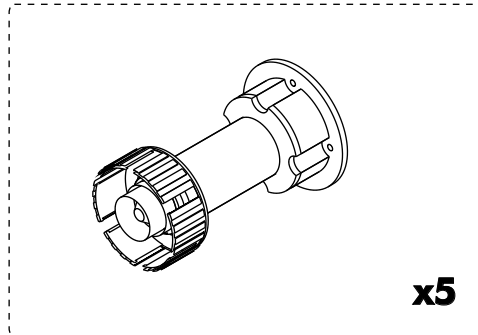


**x 5**



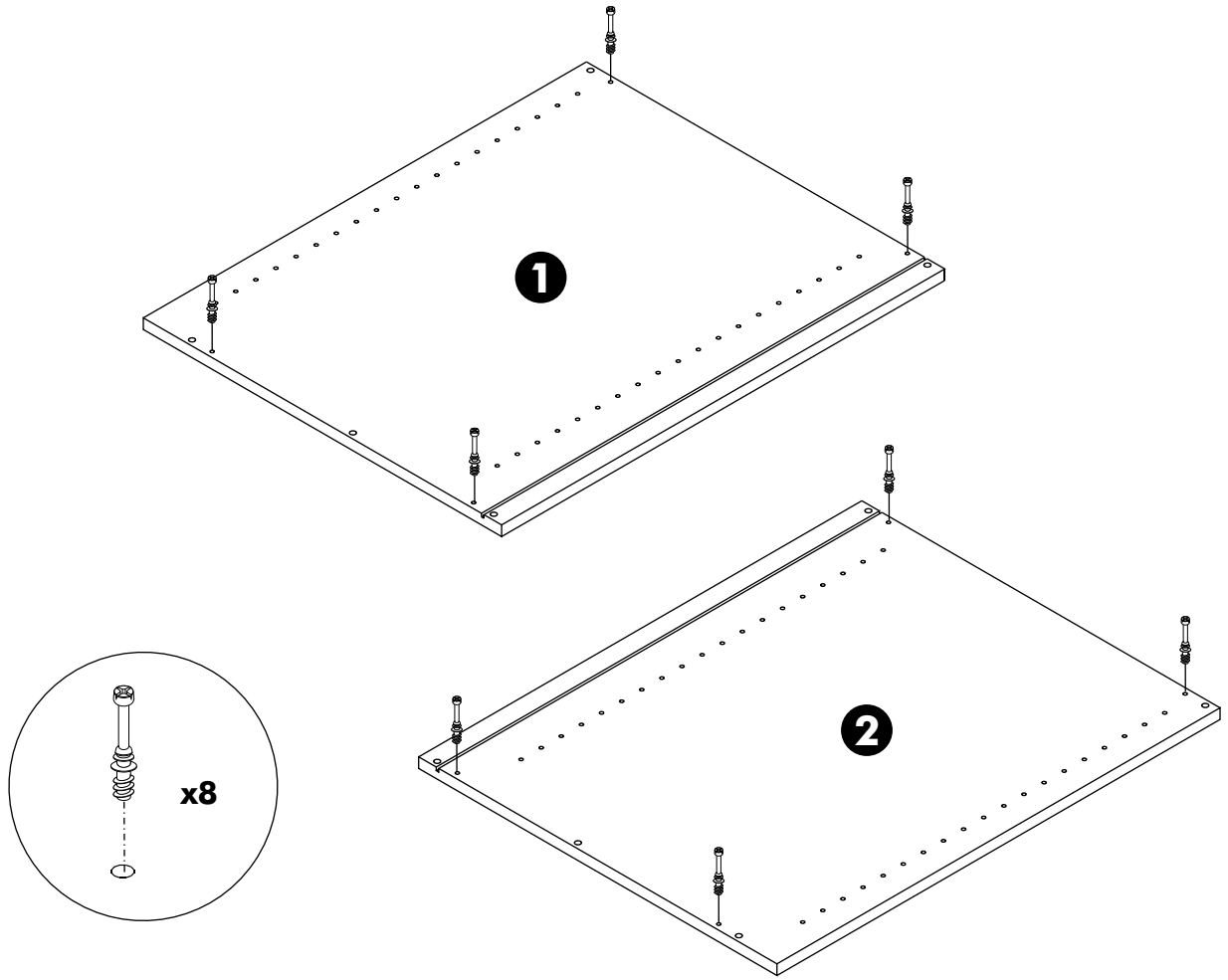
M4x30mm.

**x 3**

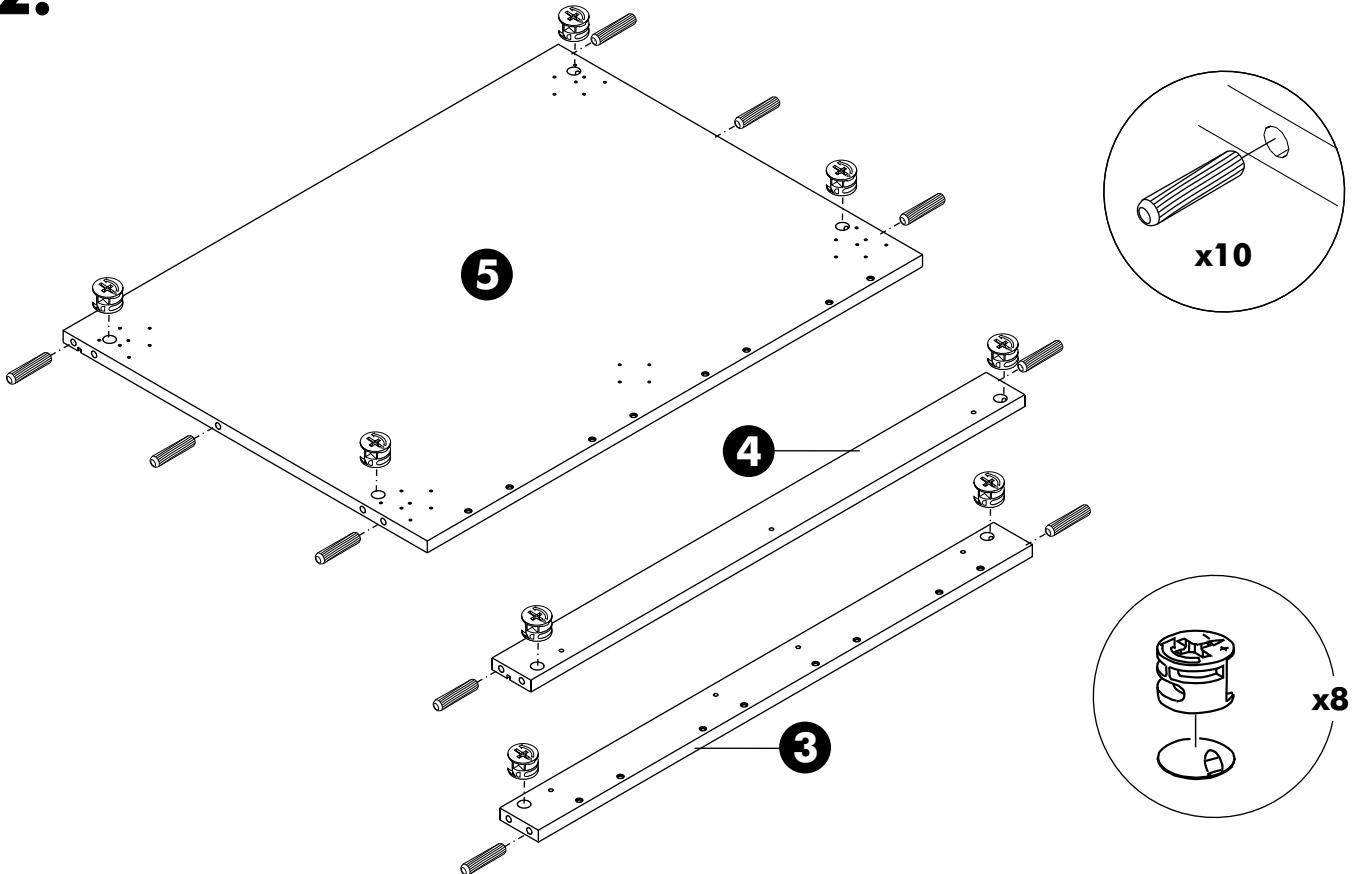


**x5**

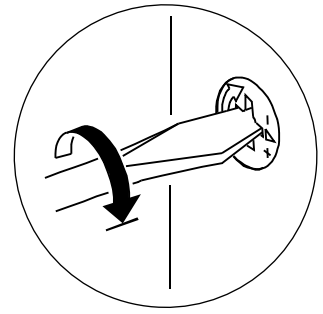
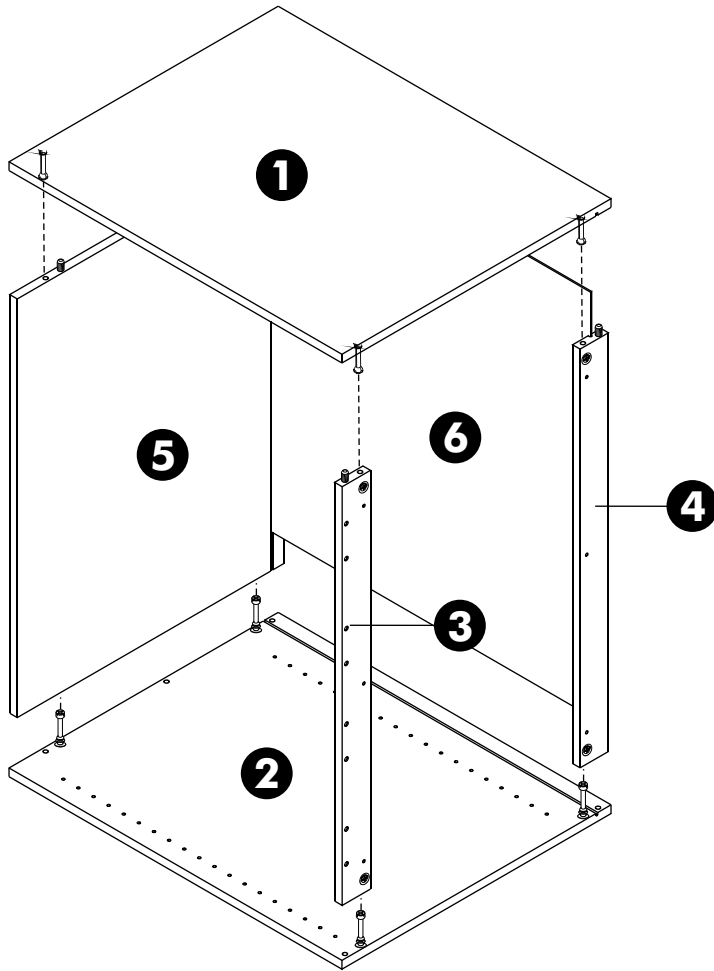
**1.**



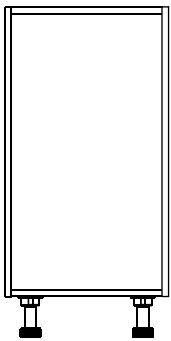
**2.**



**3.**



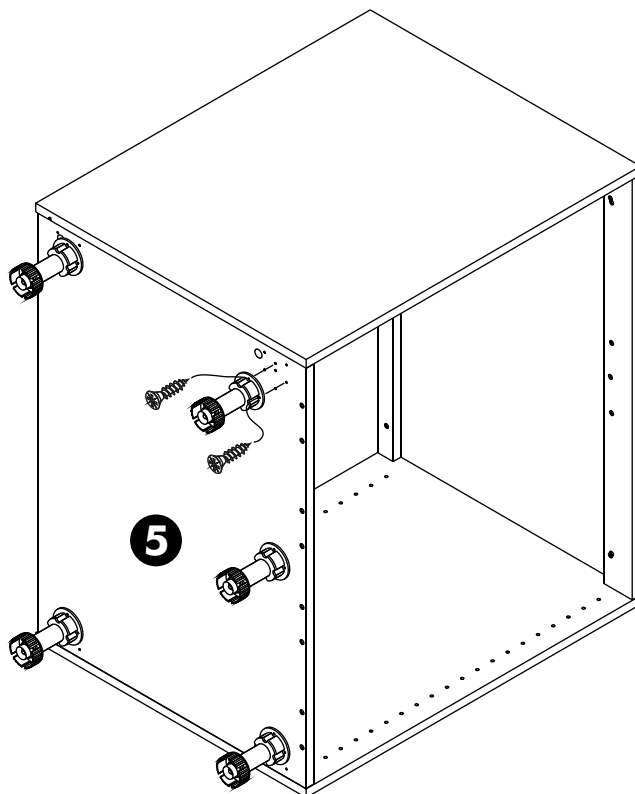
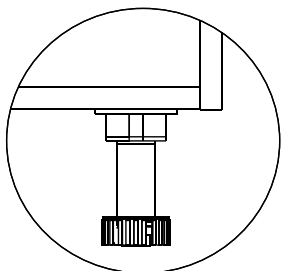
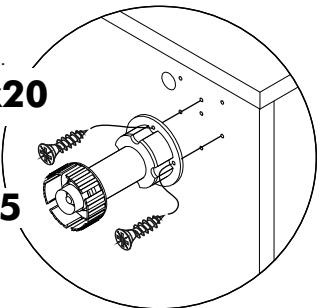
**4.(A)**



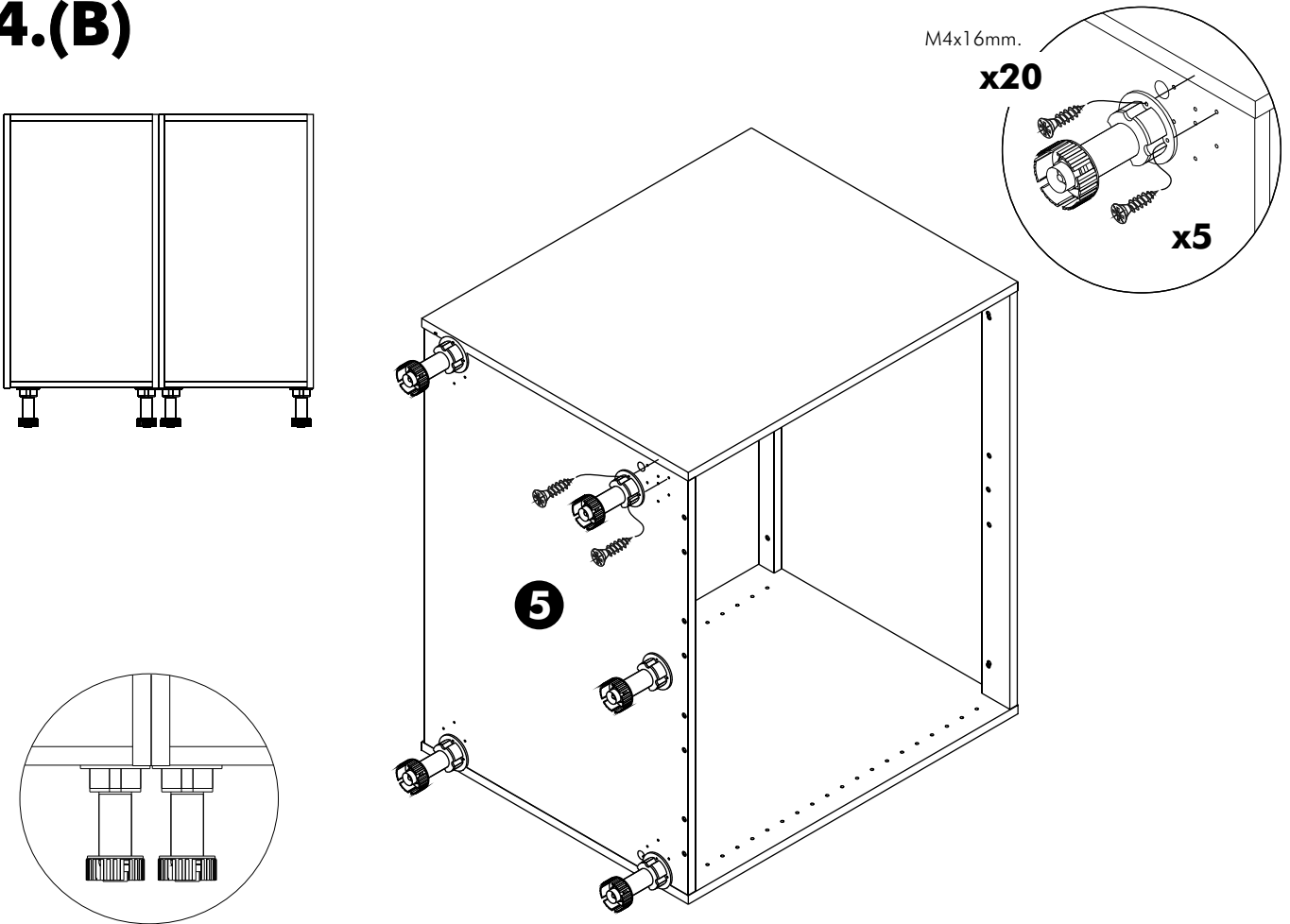
M4x16mm.

**x20**

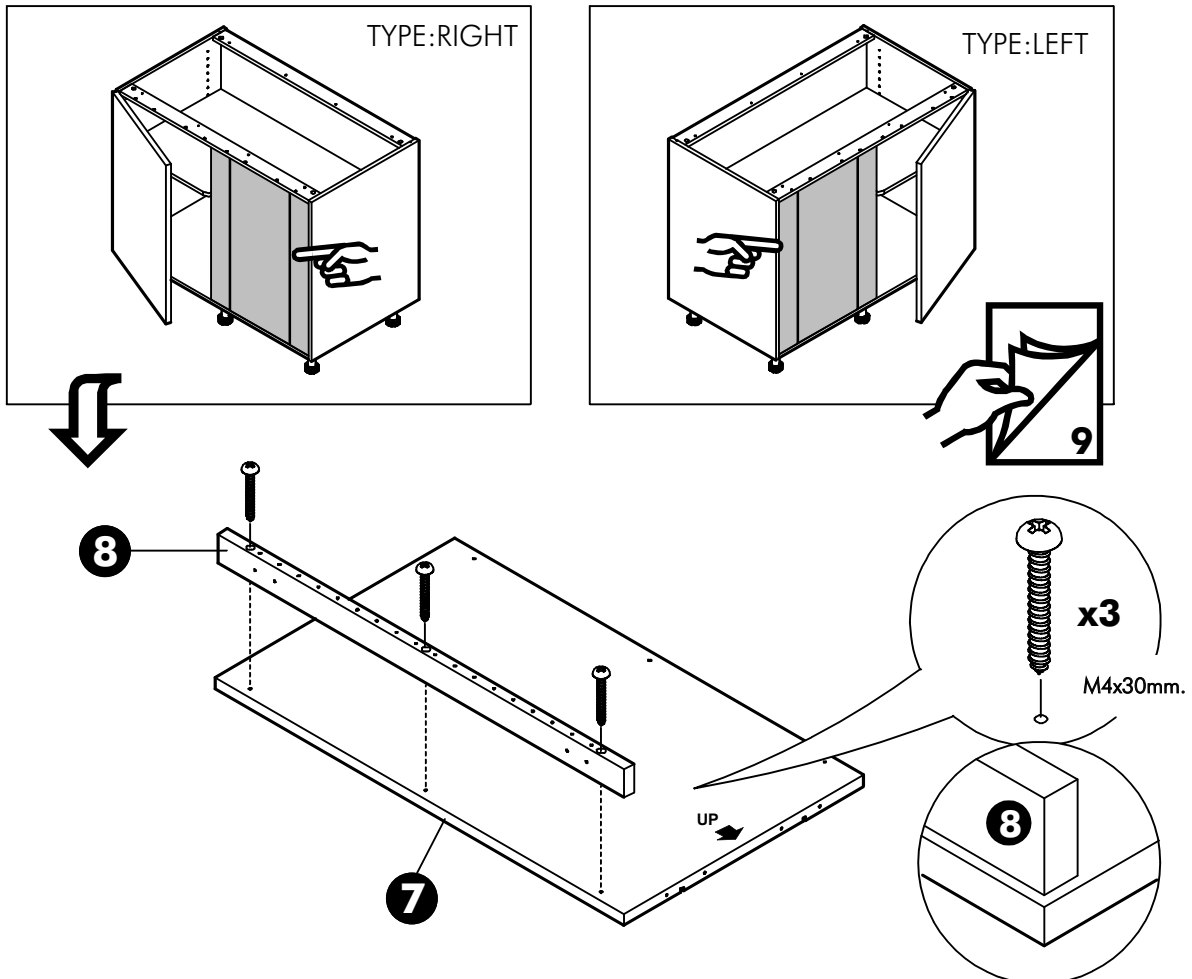
**x5**



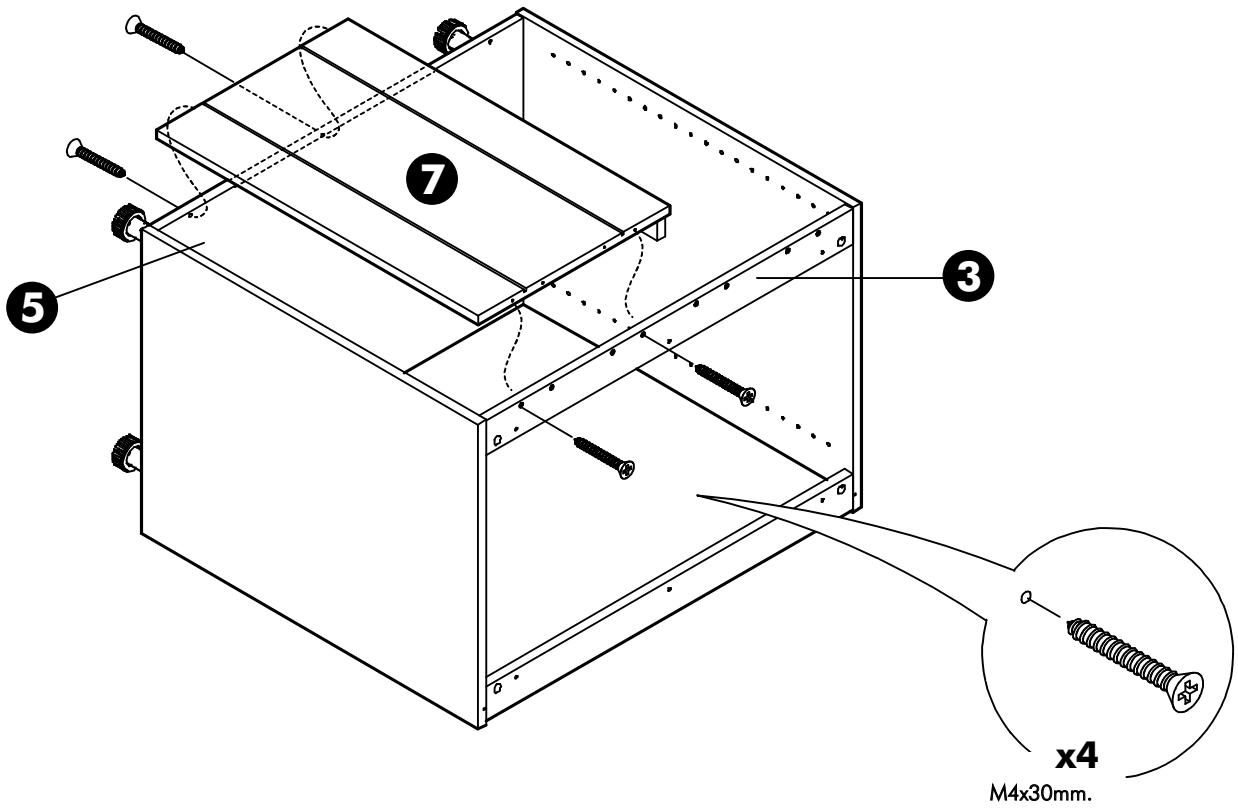
# 4.(B)



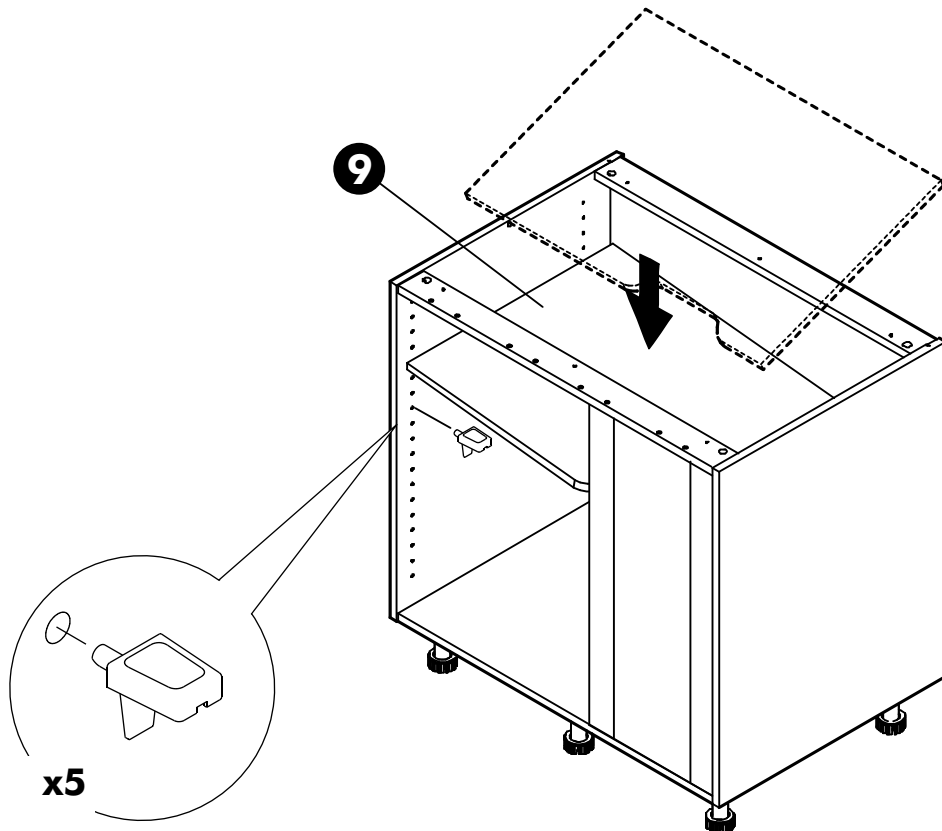
# 5.



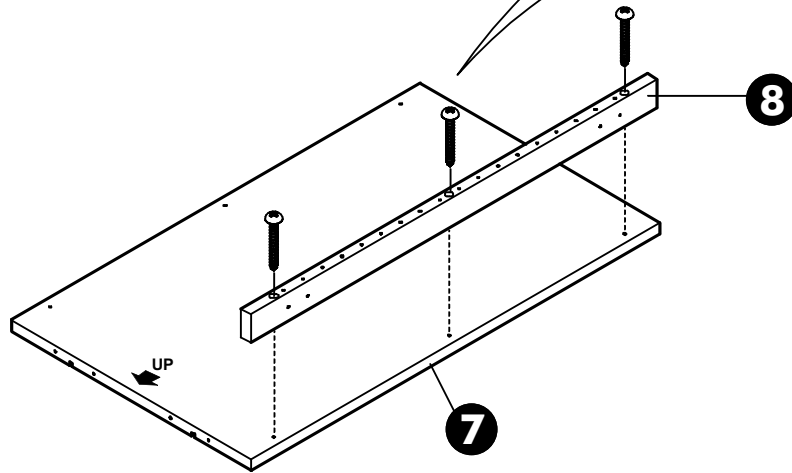
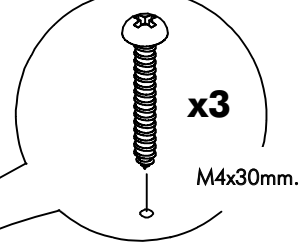
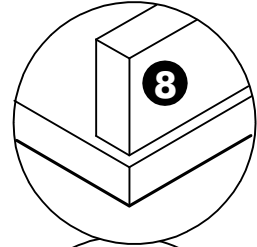
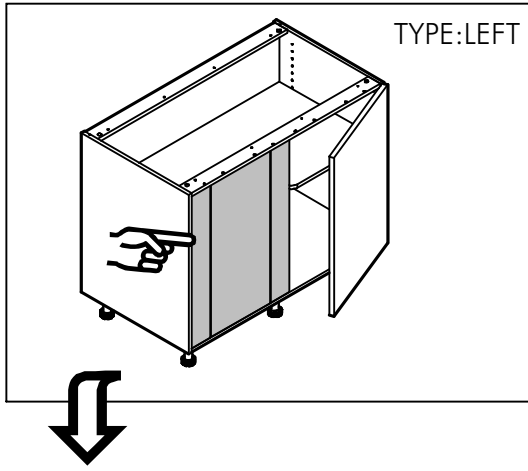
**6.**



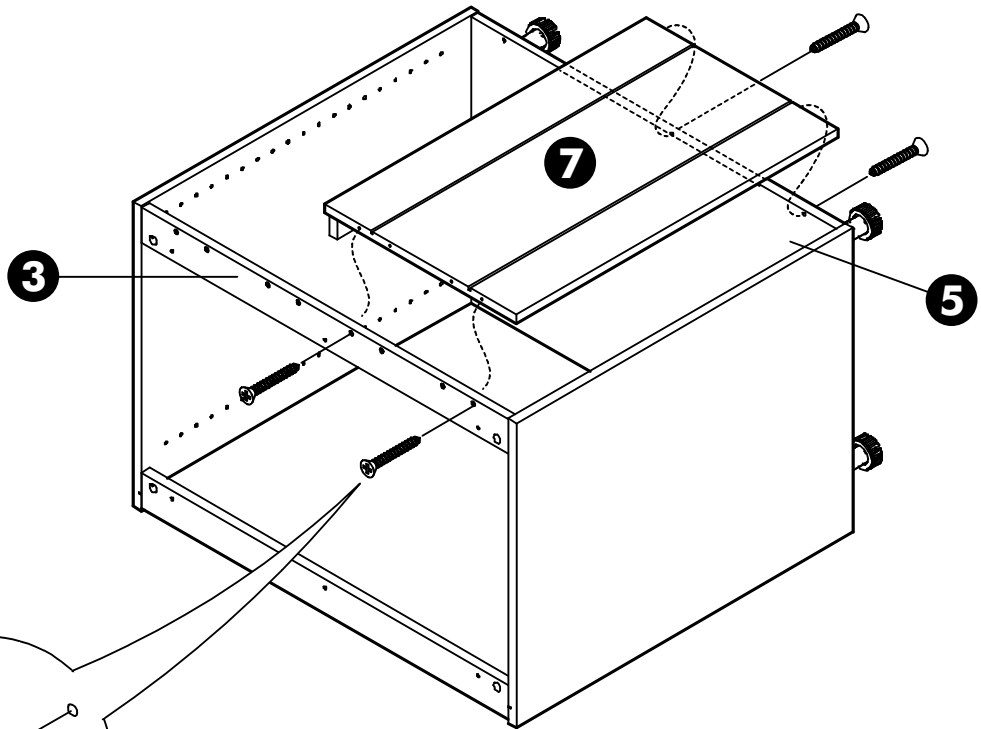
**7.**



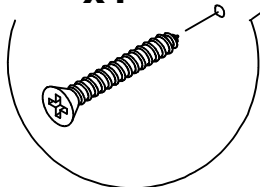
**5.**



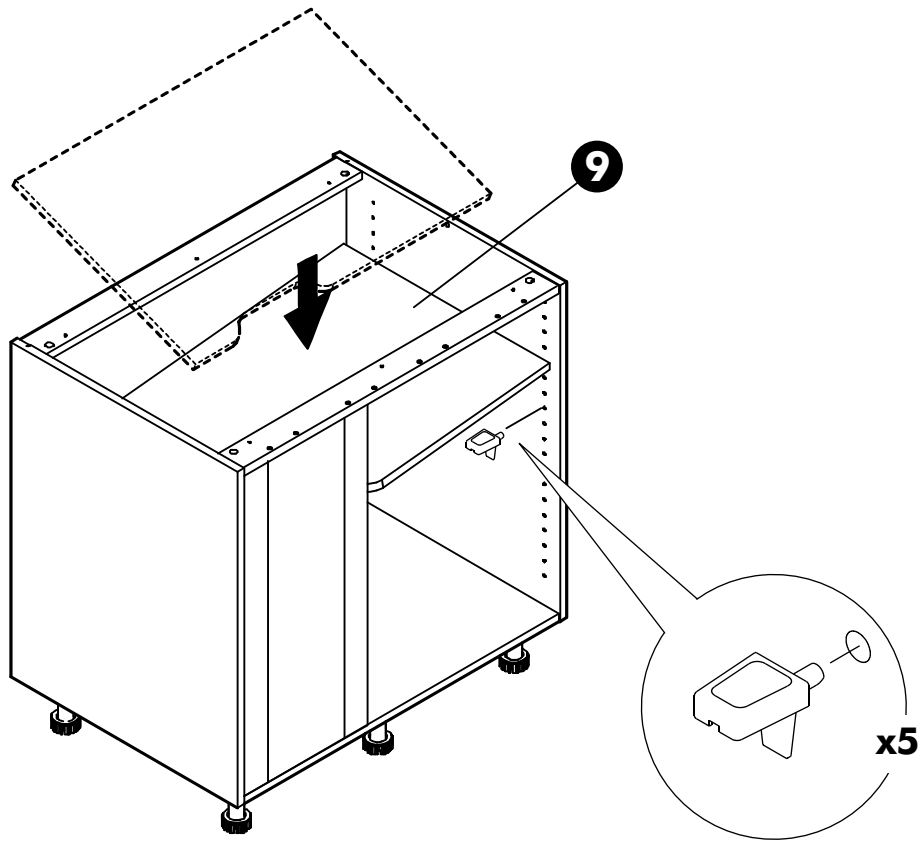
**6.**



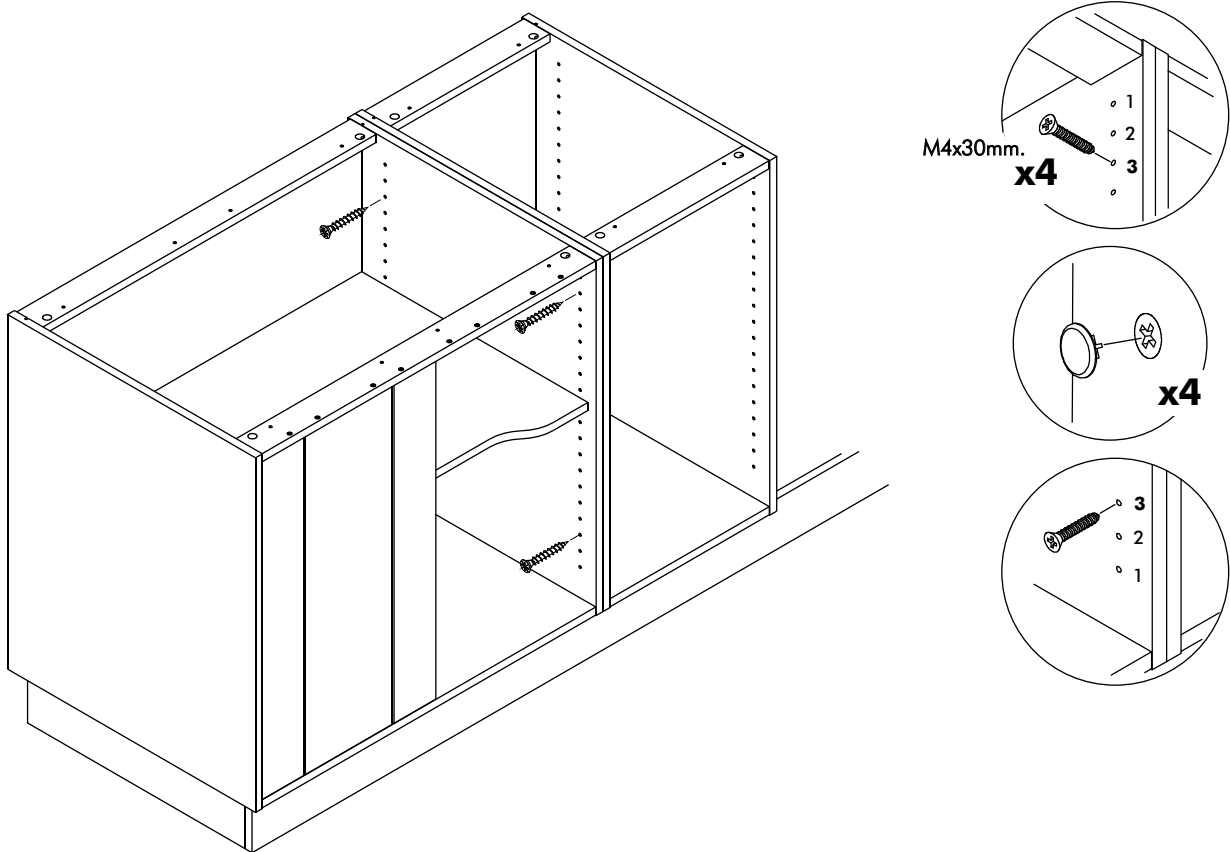
M4x30mm. x4



**7.**



**8.**



9.

