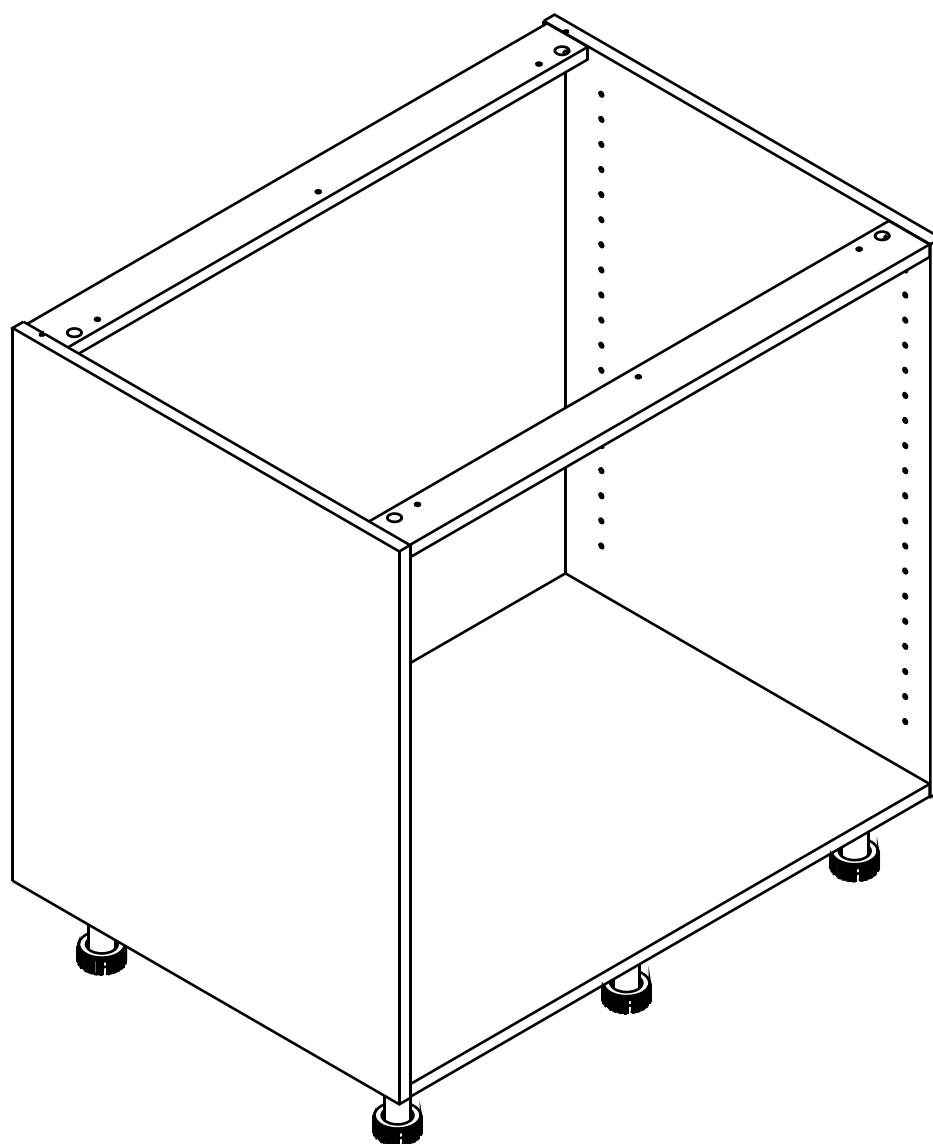


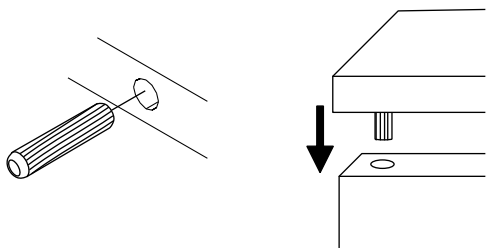
SMART KIT

Base Cabinet 80/100

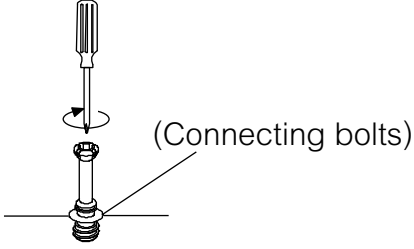


CONNECT SYSTEM

1

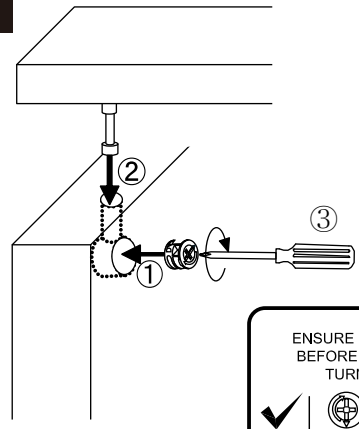


2





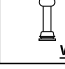



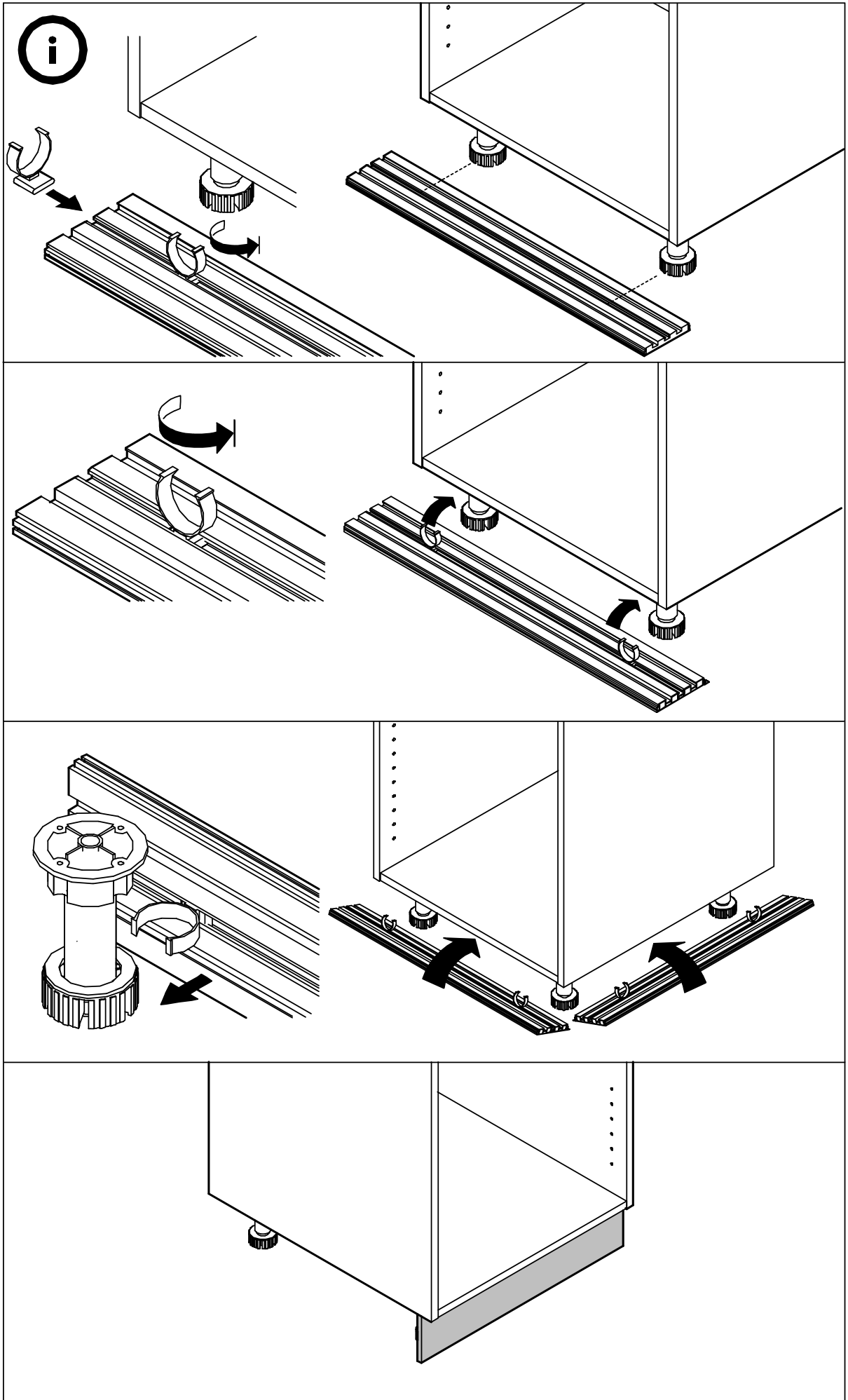
(Connecting bolts)

3



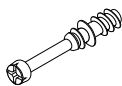
WHEN FITTING CAMS
ENSURE STARTING POSITION IS CORRECT
BEFORE YOU INSERT CONNECTING BOLT
TURN CLOCKWISE UNTIL SECURE

✓				✗
				
	CORRECT	WRONG		



HARDWARE

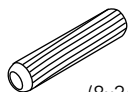
-BODY SET



x 8



x 8



(8x35)

x 10



M4x30mm.

x 10

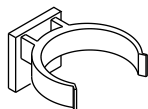


M4x16mm.

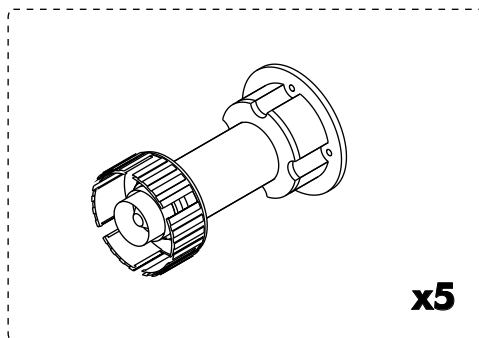
x 20



x 4

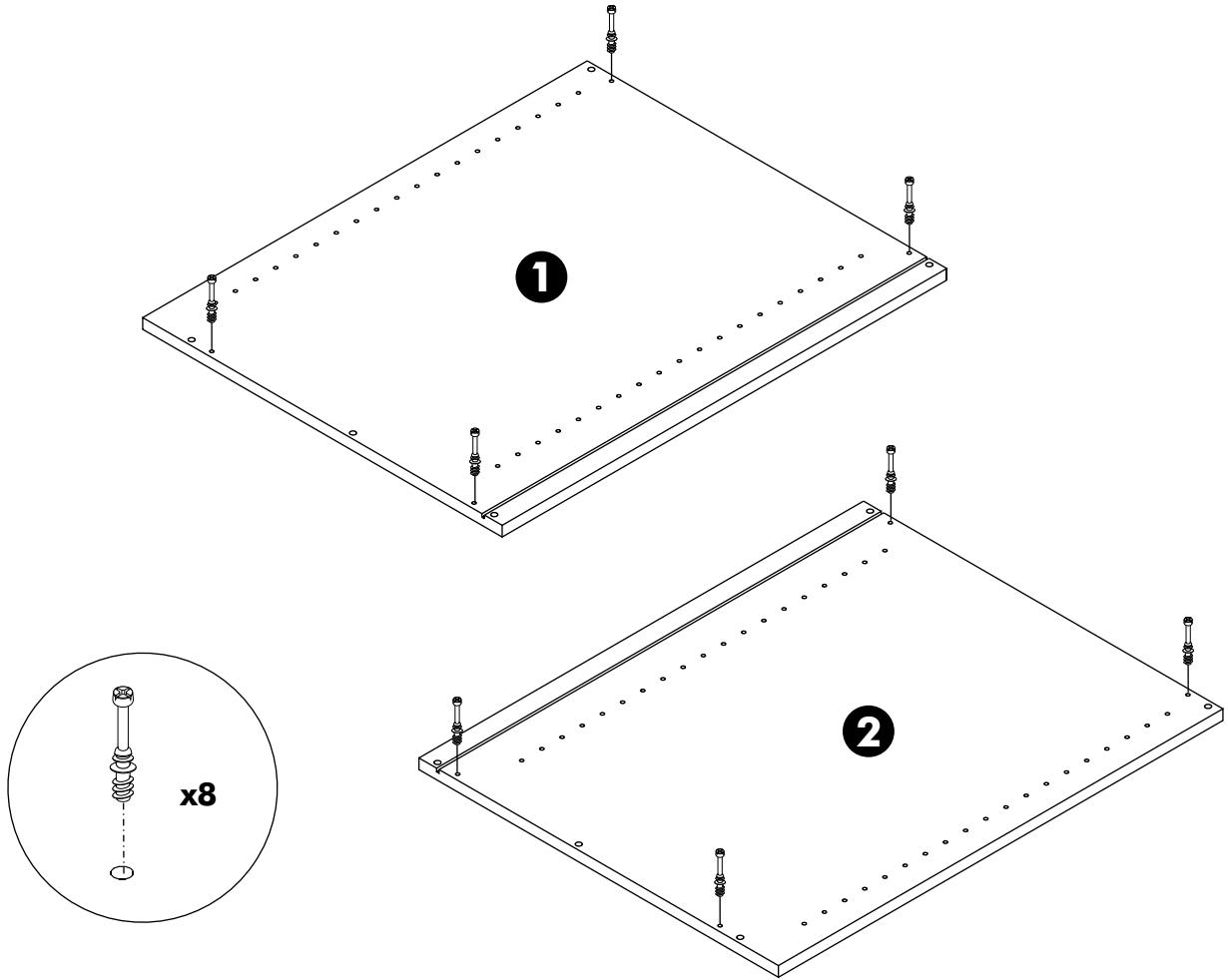


x 2

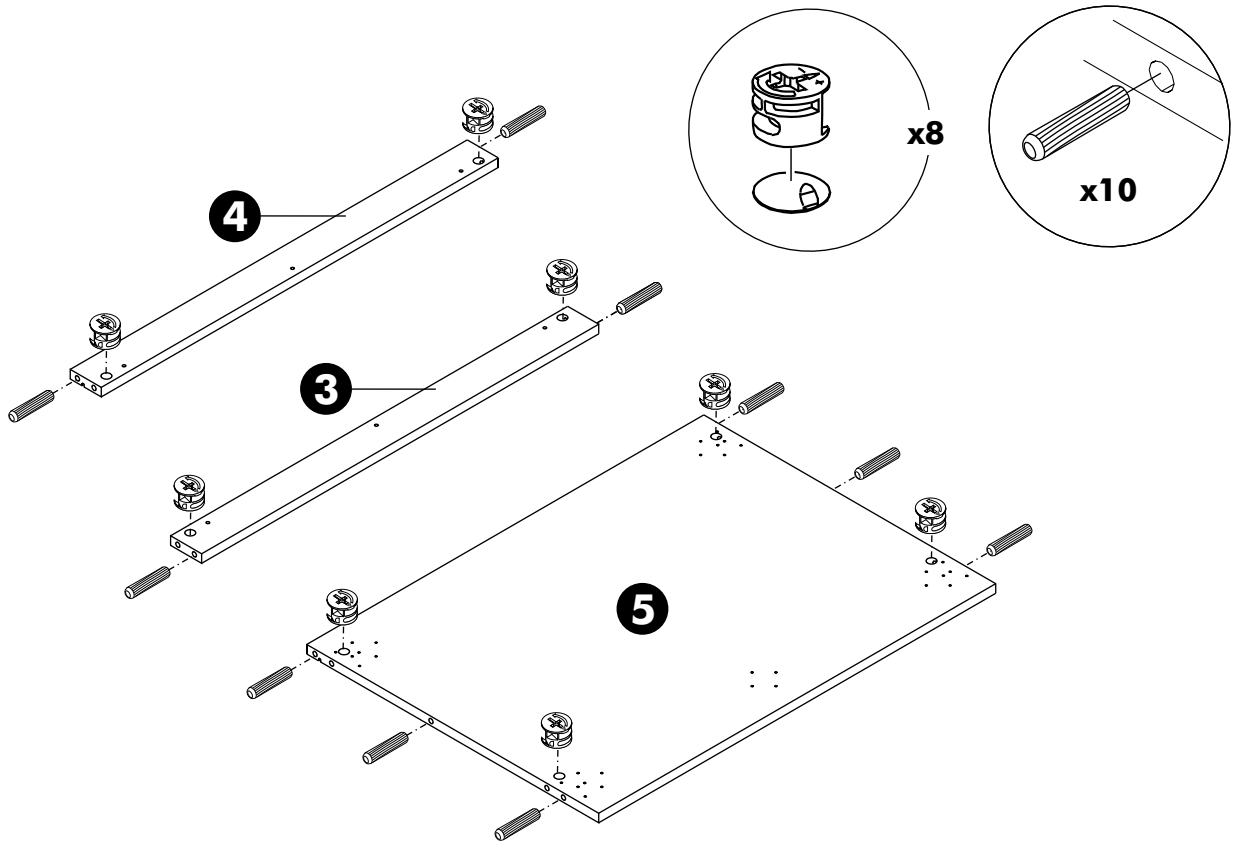


x5

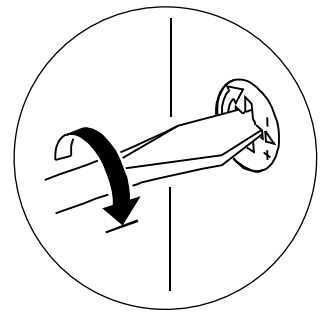
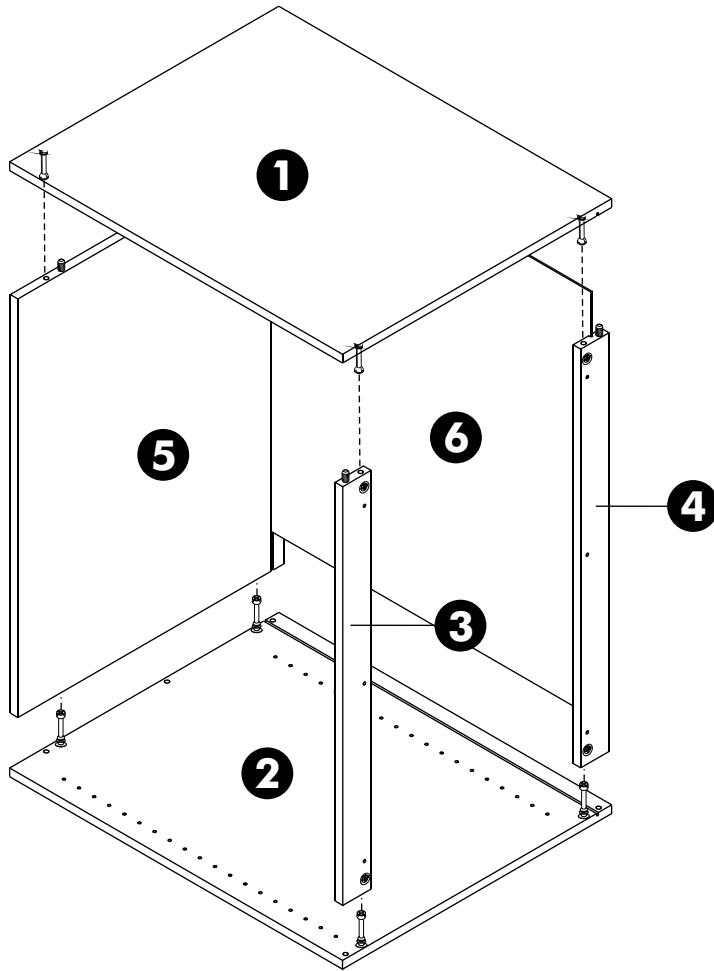
1.



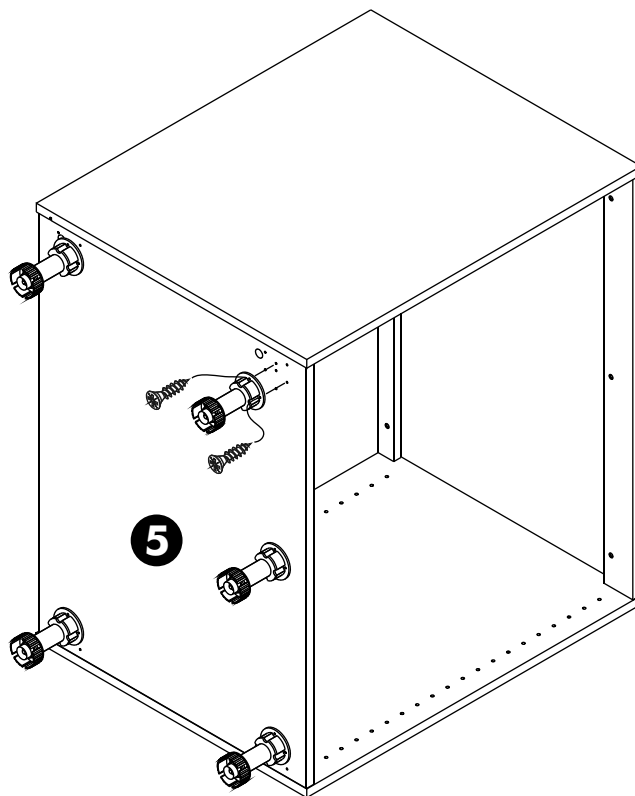
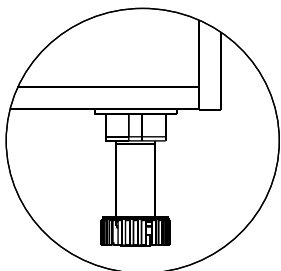
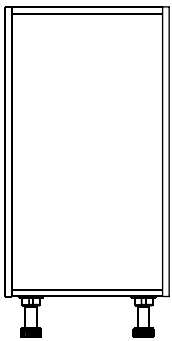
2.



3.



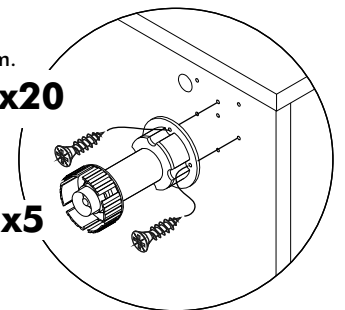
4.(A)



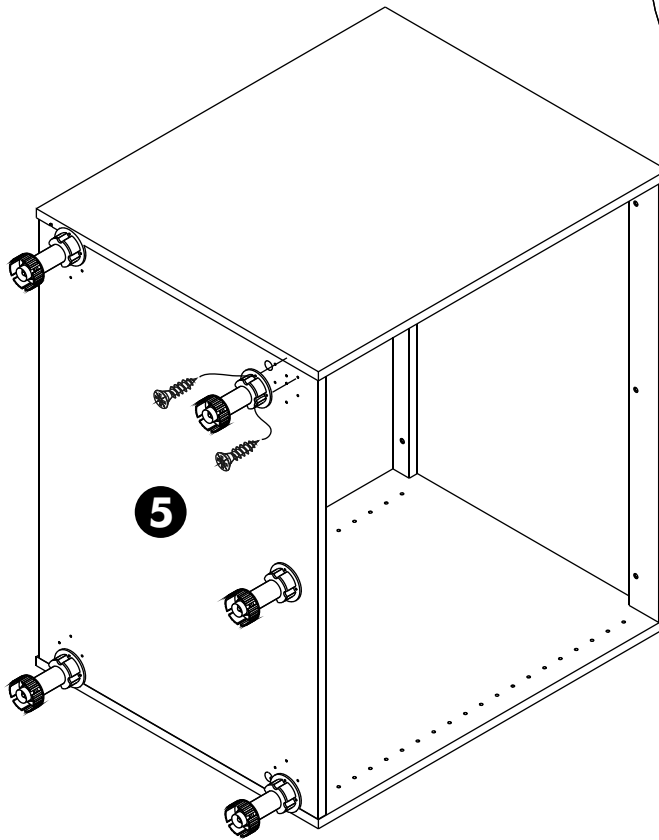
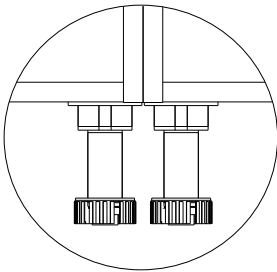
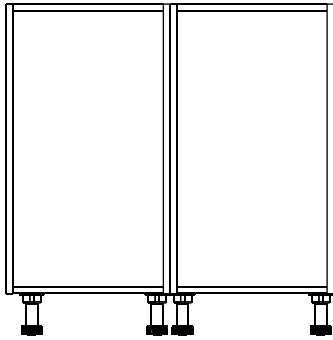
M4x16mm.

x20

x5



4.(B)

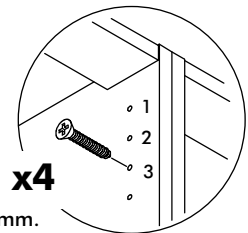
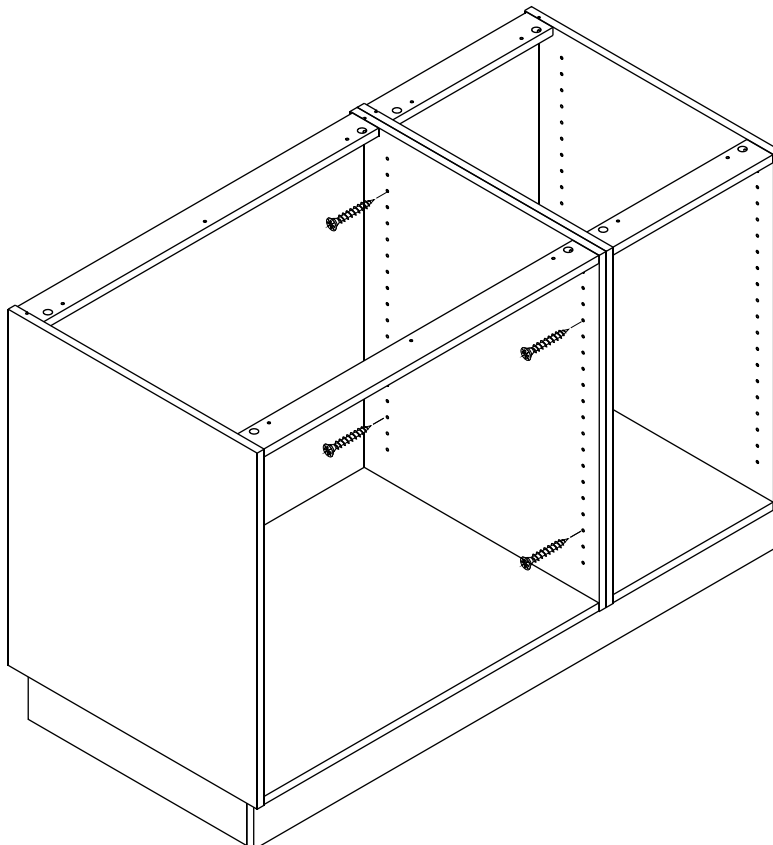


M4x16mm.

x20

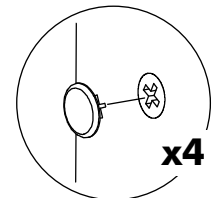
x5

5.

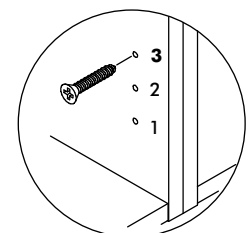


x4

M4x30mm.



x4



6.

