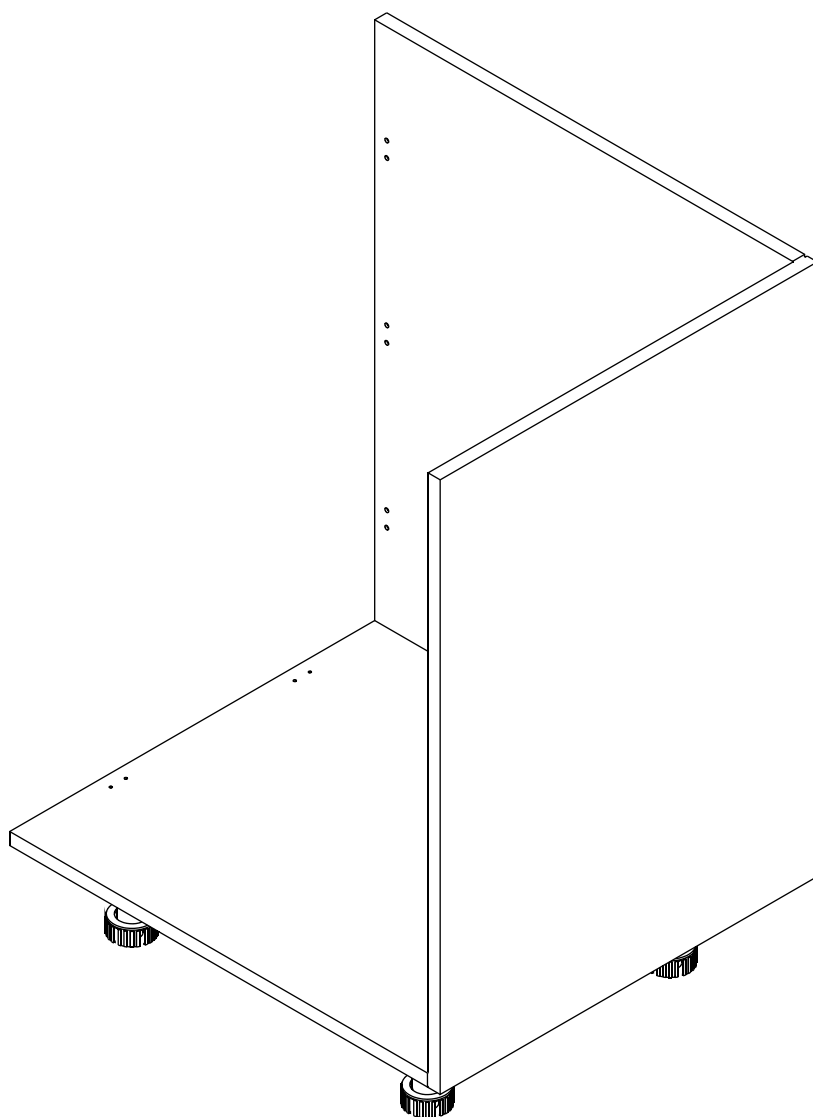


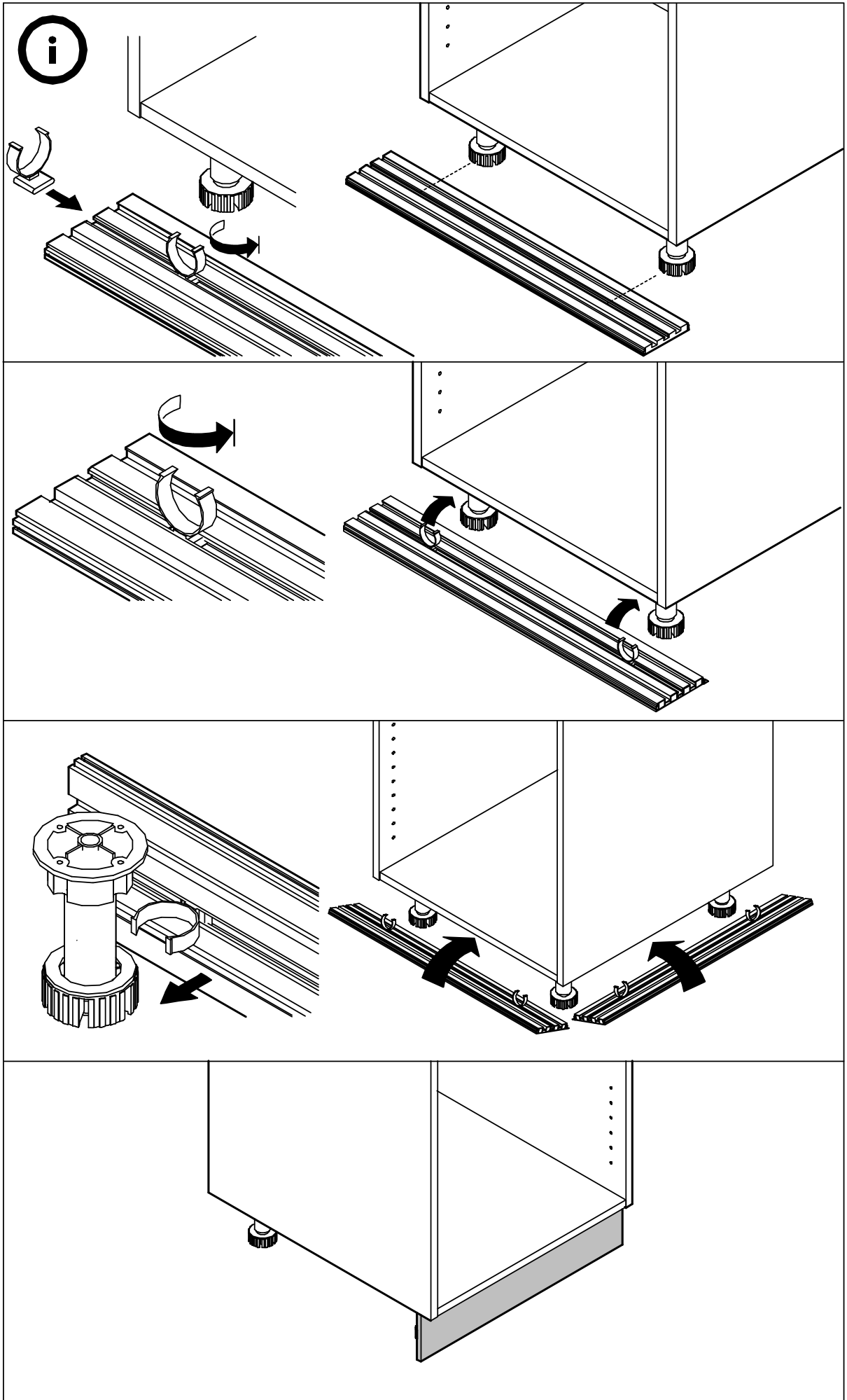
SMART KIT

Adjustable Base Cabinet



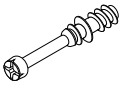
CONNECT SYSTEM





HARDWARE

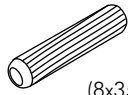
-BODY SET



x 2

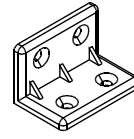


x 2



(8x35)

x 2

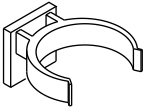


x 9

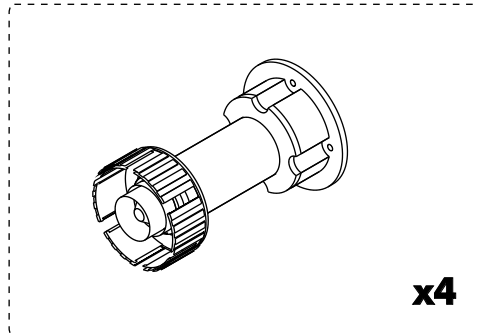


M4x16mm.

x 52

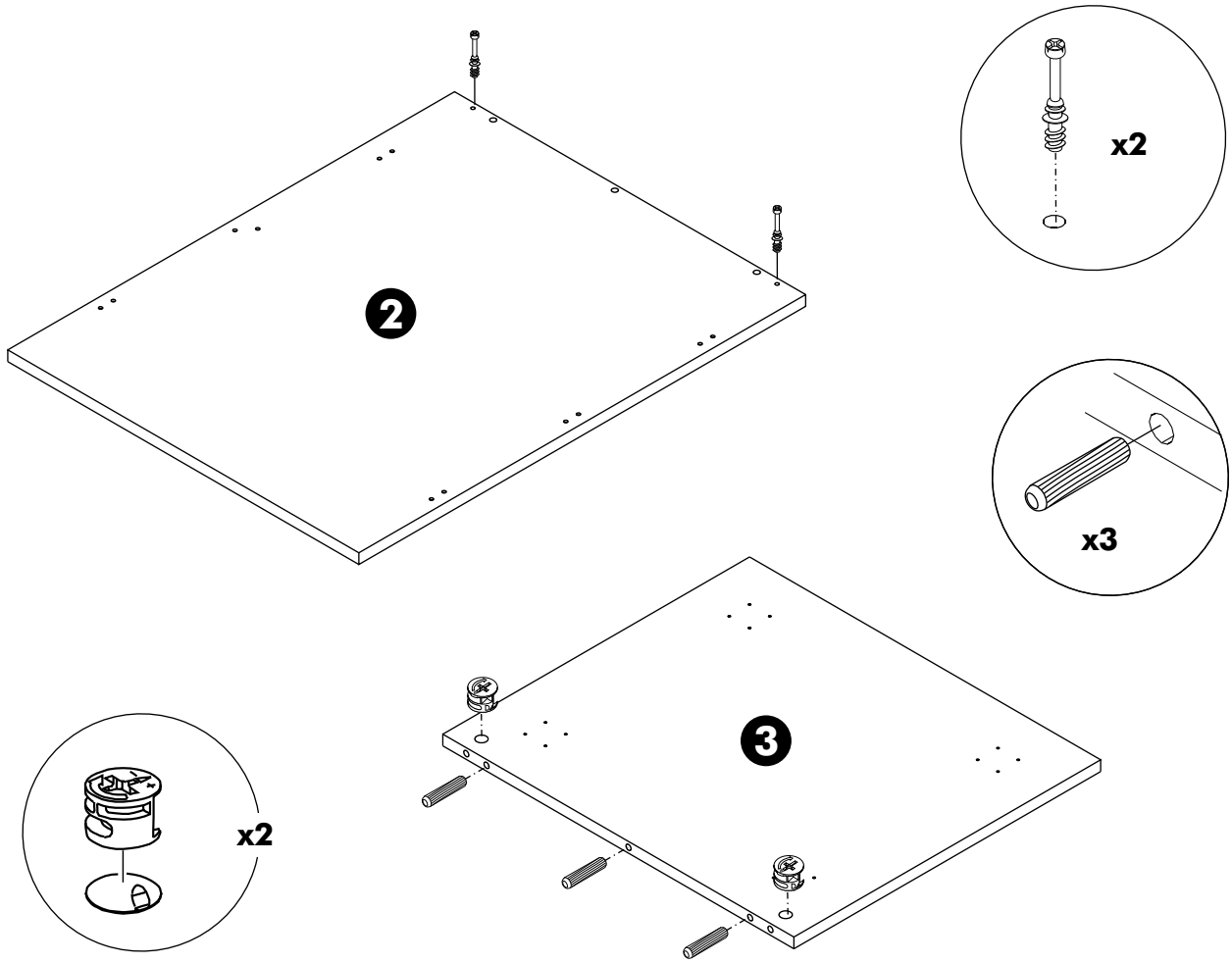


x 2

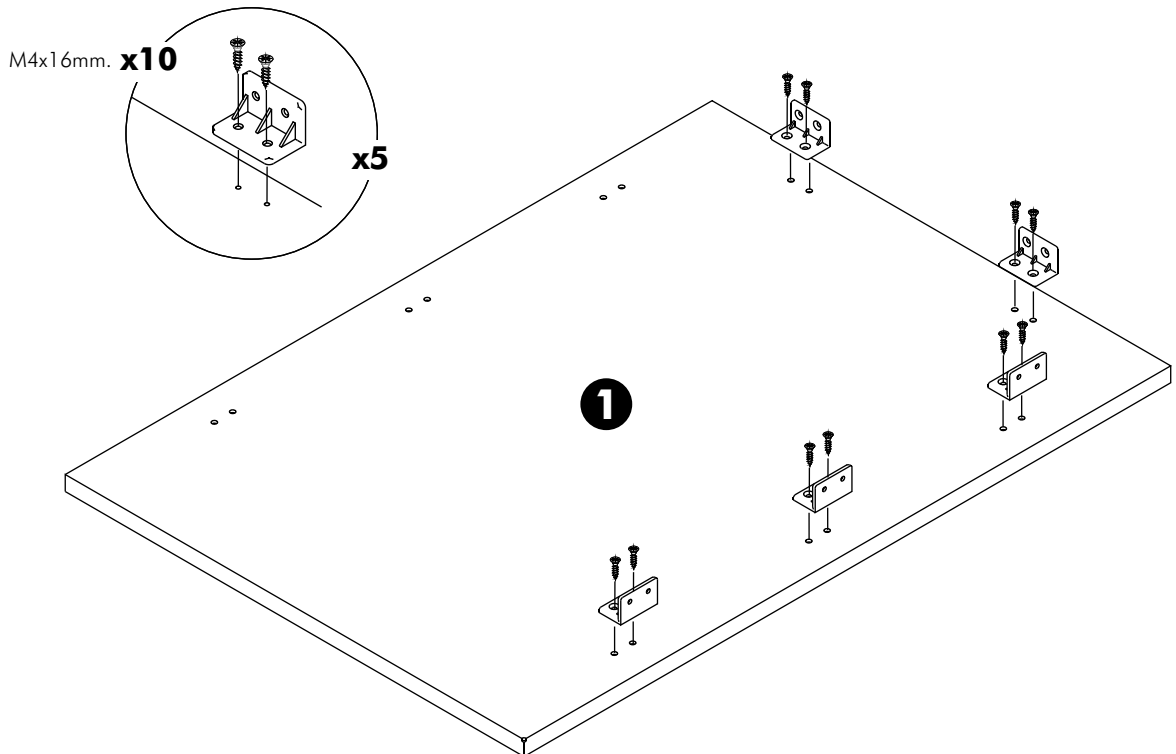


x4

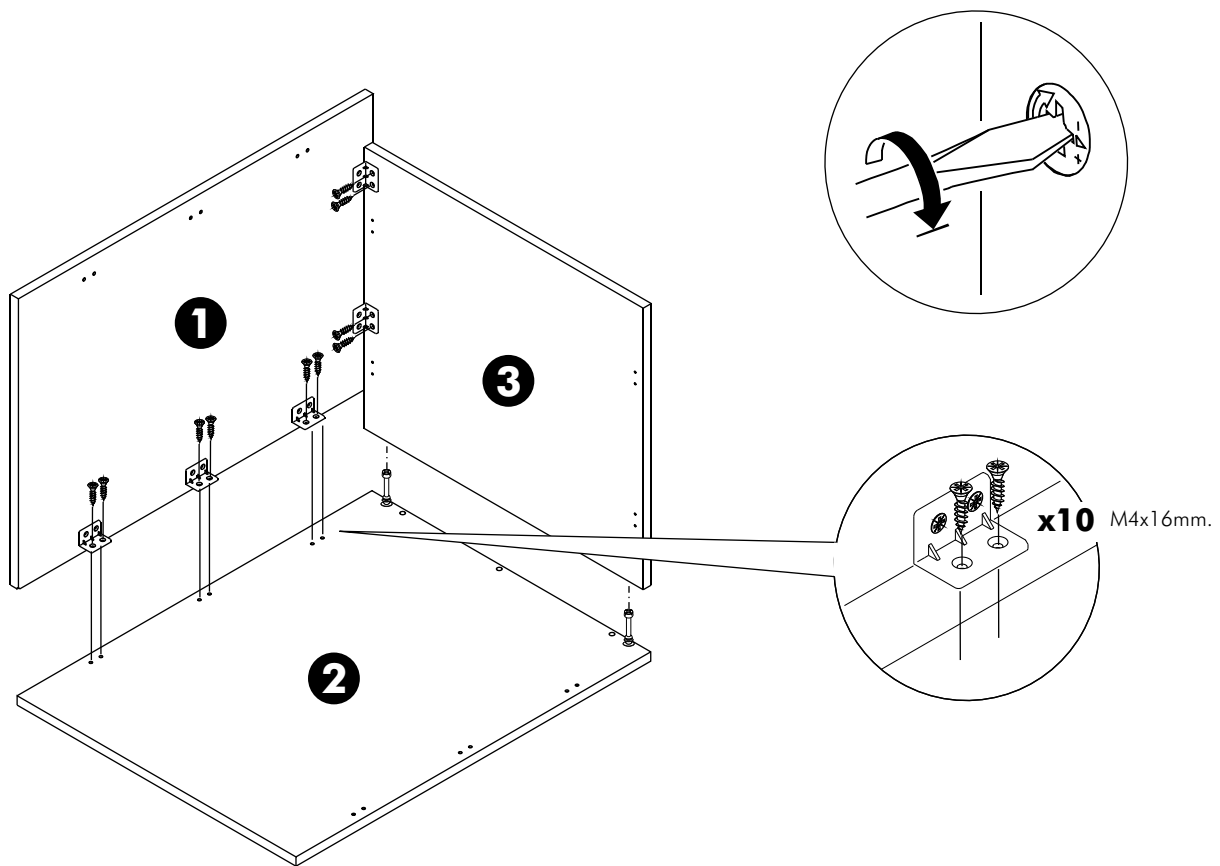
1.



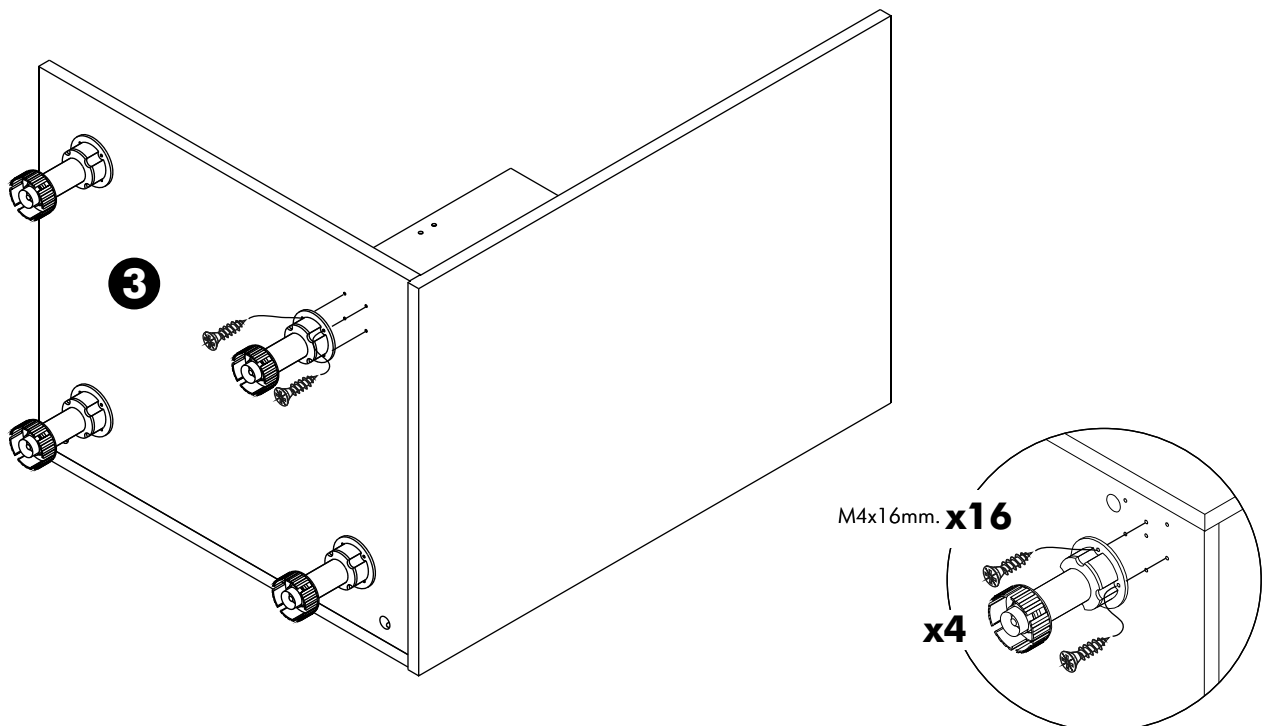
2.



3.



4.



5.

