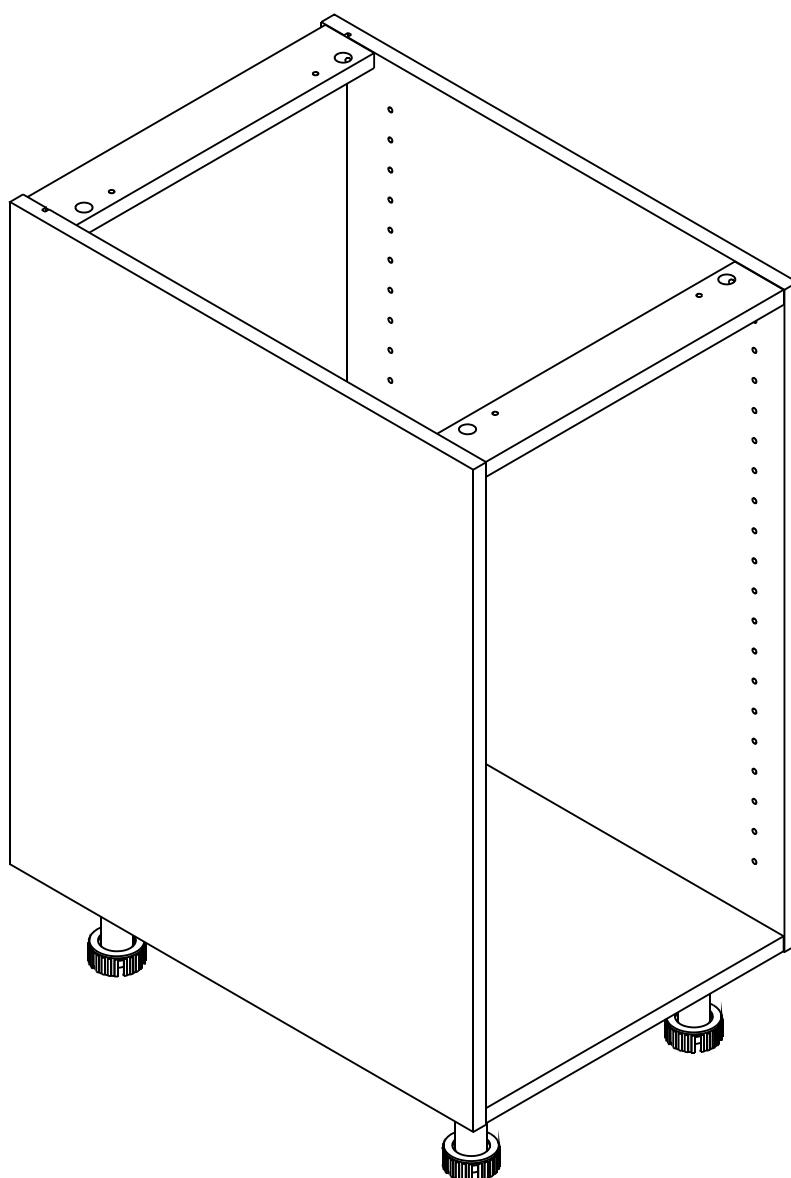


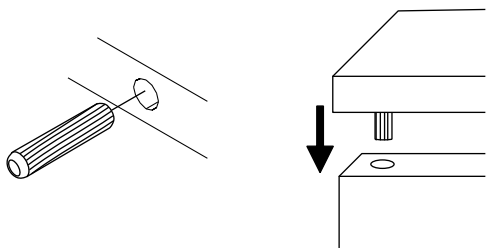
SMART KIT

Base Cabinet 30/40/50/60

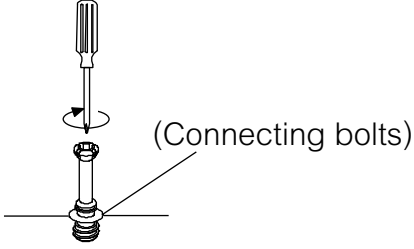


CONNECT SYSTEM

1

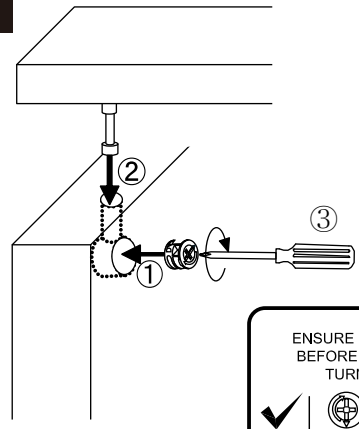


2





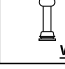



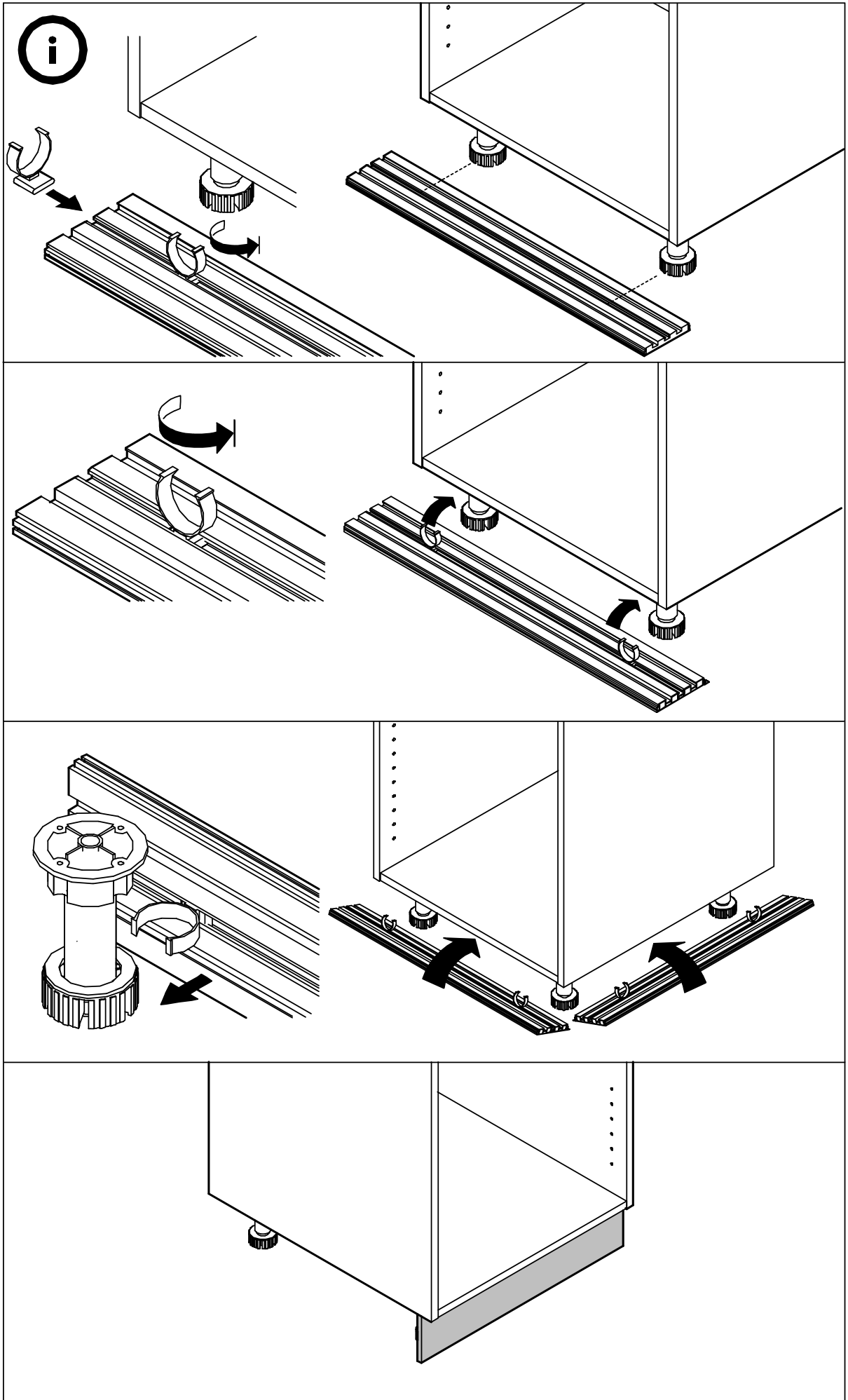
(Connecting bolts)

3



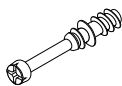
WHEN FITTING CAMS
ENSURE STARTING POSITION IS CORRECT
BEFORE YOU INSERT CONNECTING BOLT
TURN CLOCKWISE UNTIL SECURE

✓				✗
				
	CORRECT	WRONG		



HARDWARE

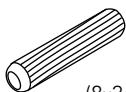
-BODY SET



x 8



x 8



(8x35)

x 10



M4x30mm.

x 8

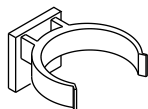


M4x16mm.

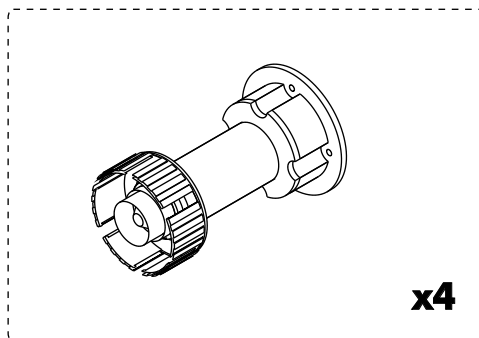
x 16



x 4

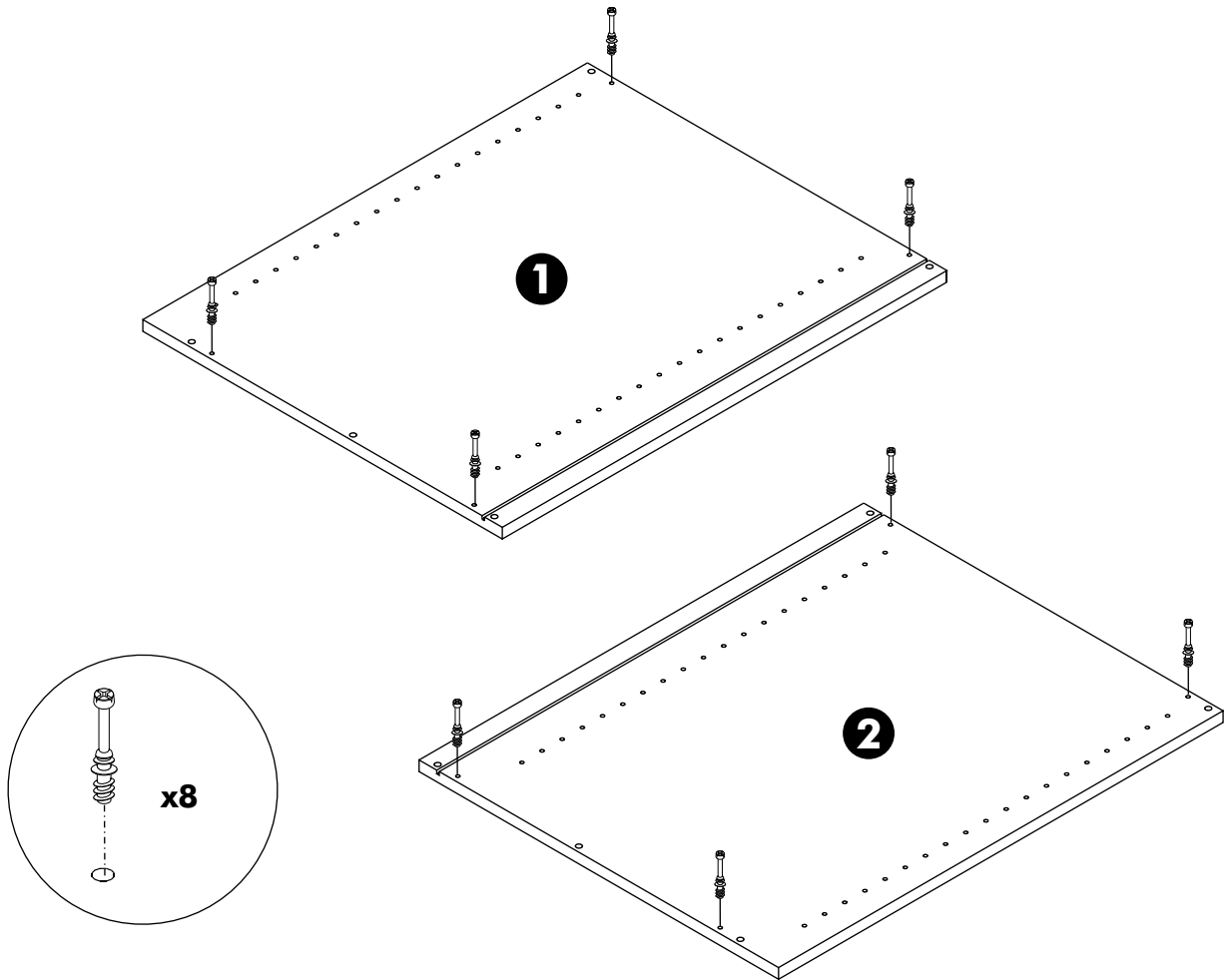


x 2

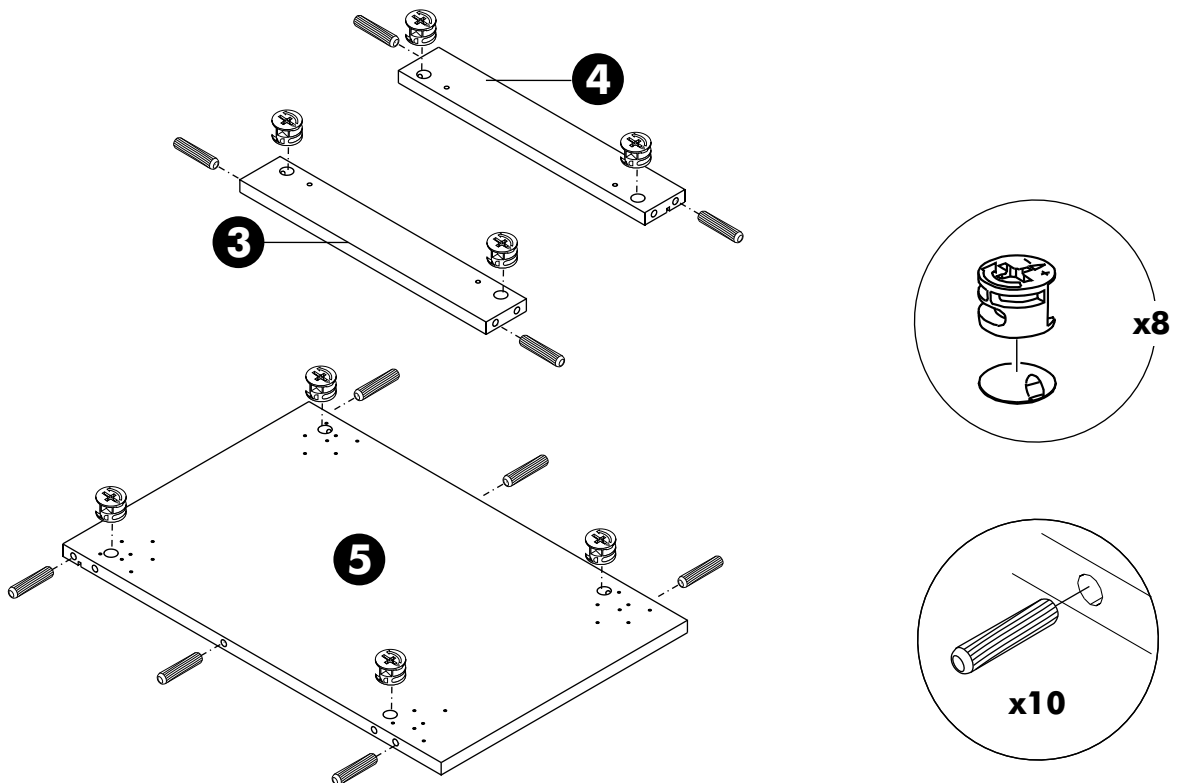


x4

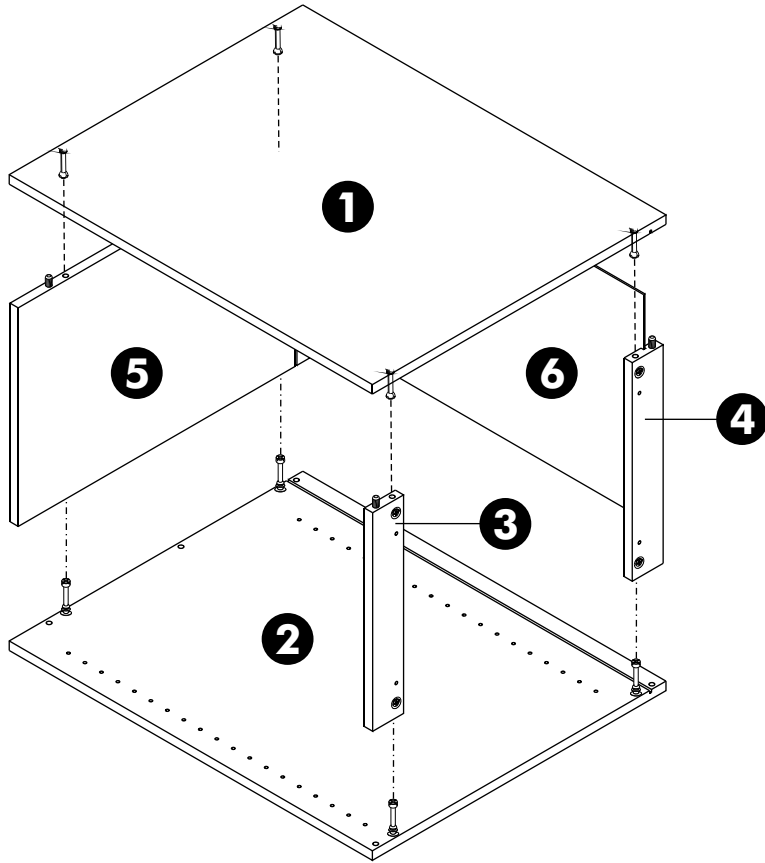
1.



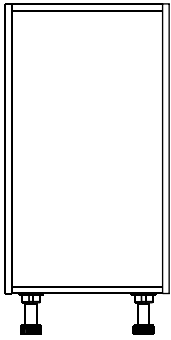
2.



3.



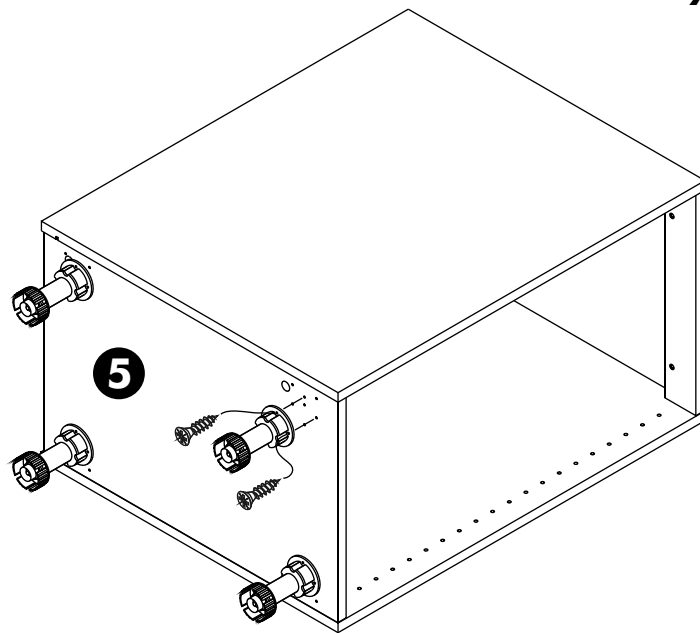
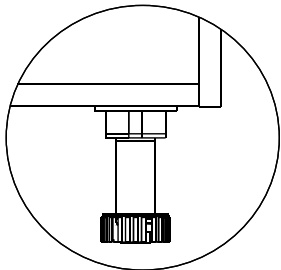
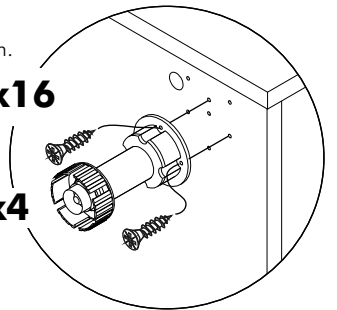
4.(A)



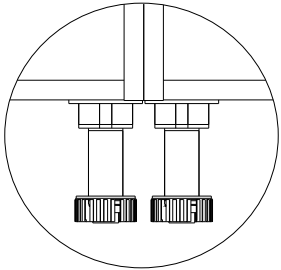
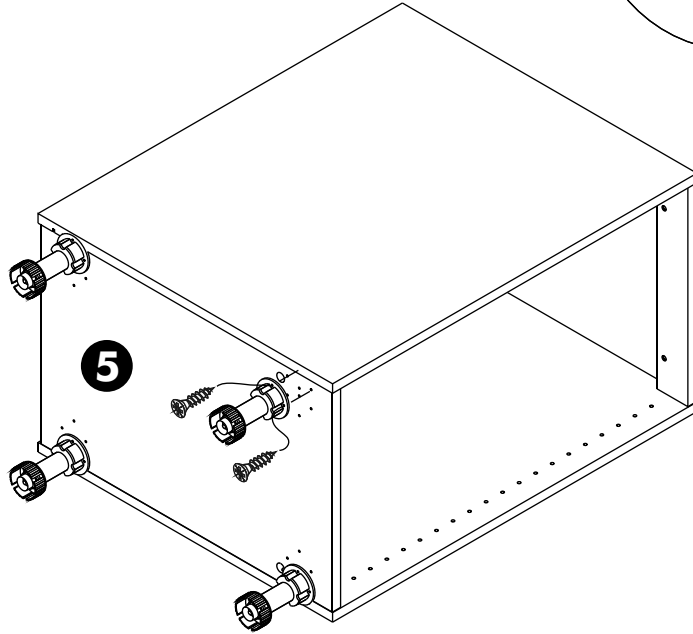
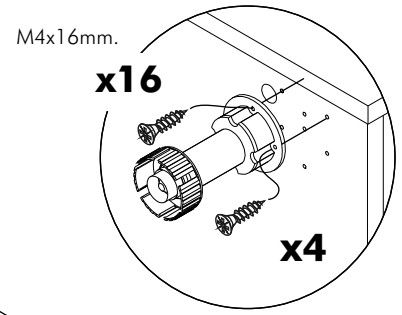
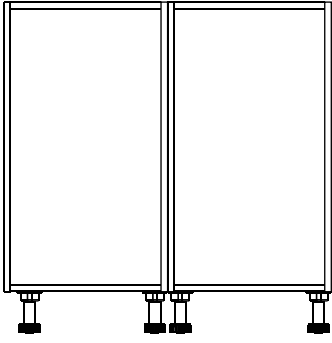
M4x16mm.

x16

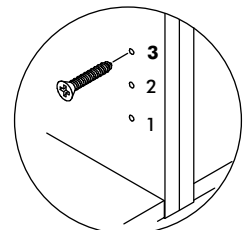
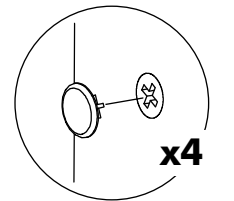
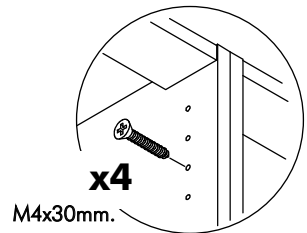
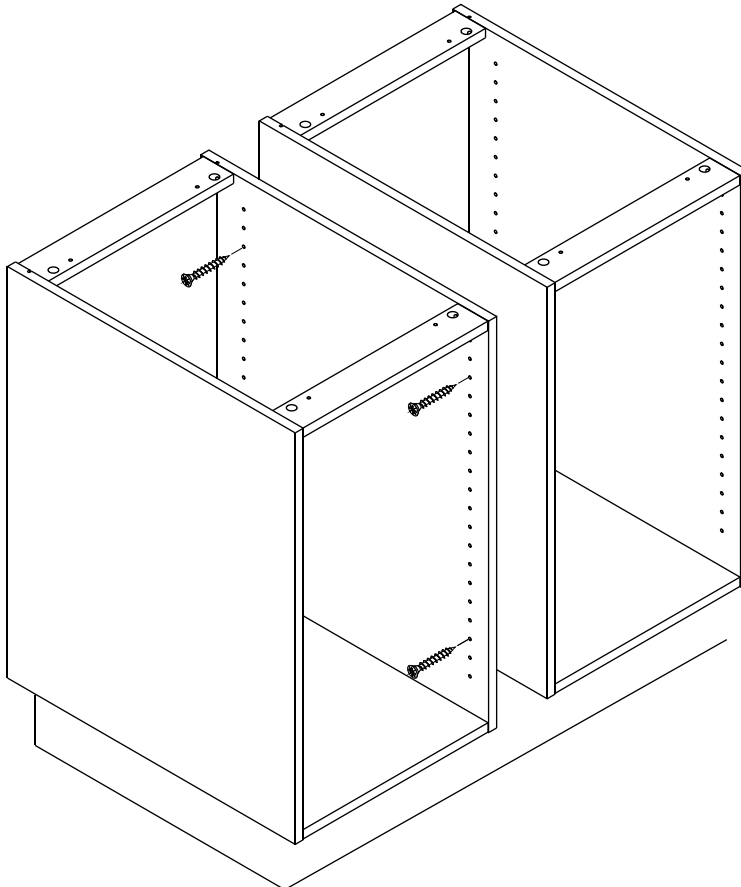
x4



4.(B)



5.



6.

