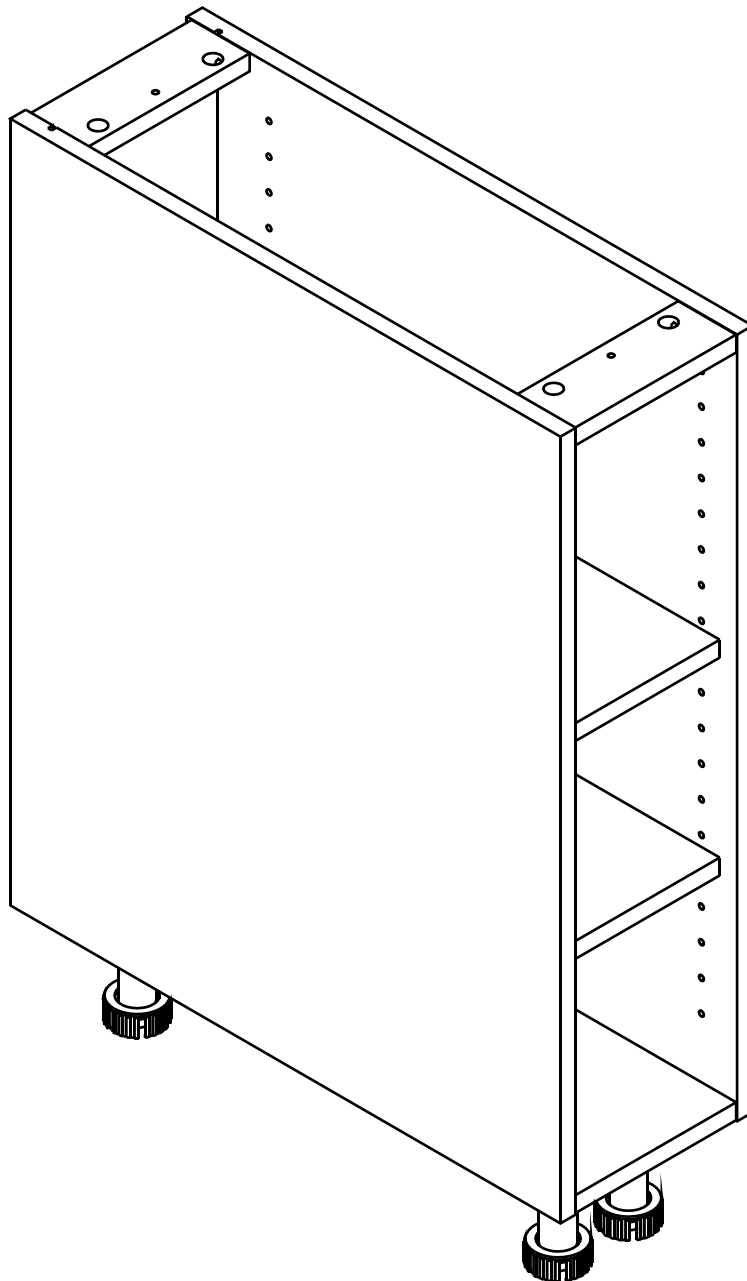


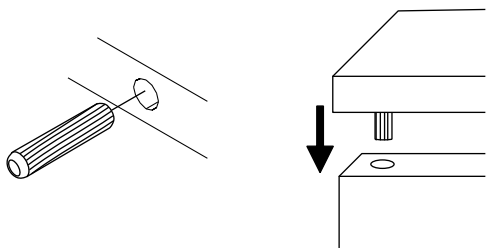
SMART KIT

Base Cabinet w/Shelf 20

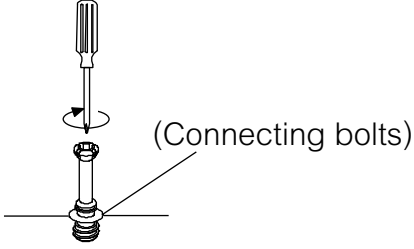


CONNECT SYSTEM

1

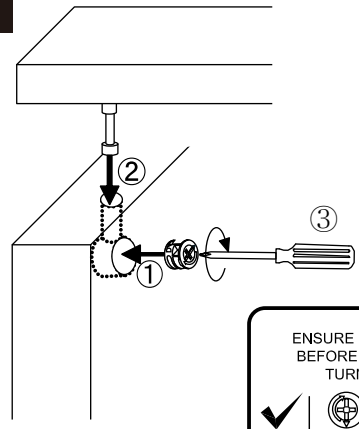


2





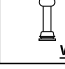



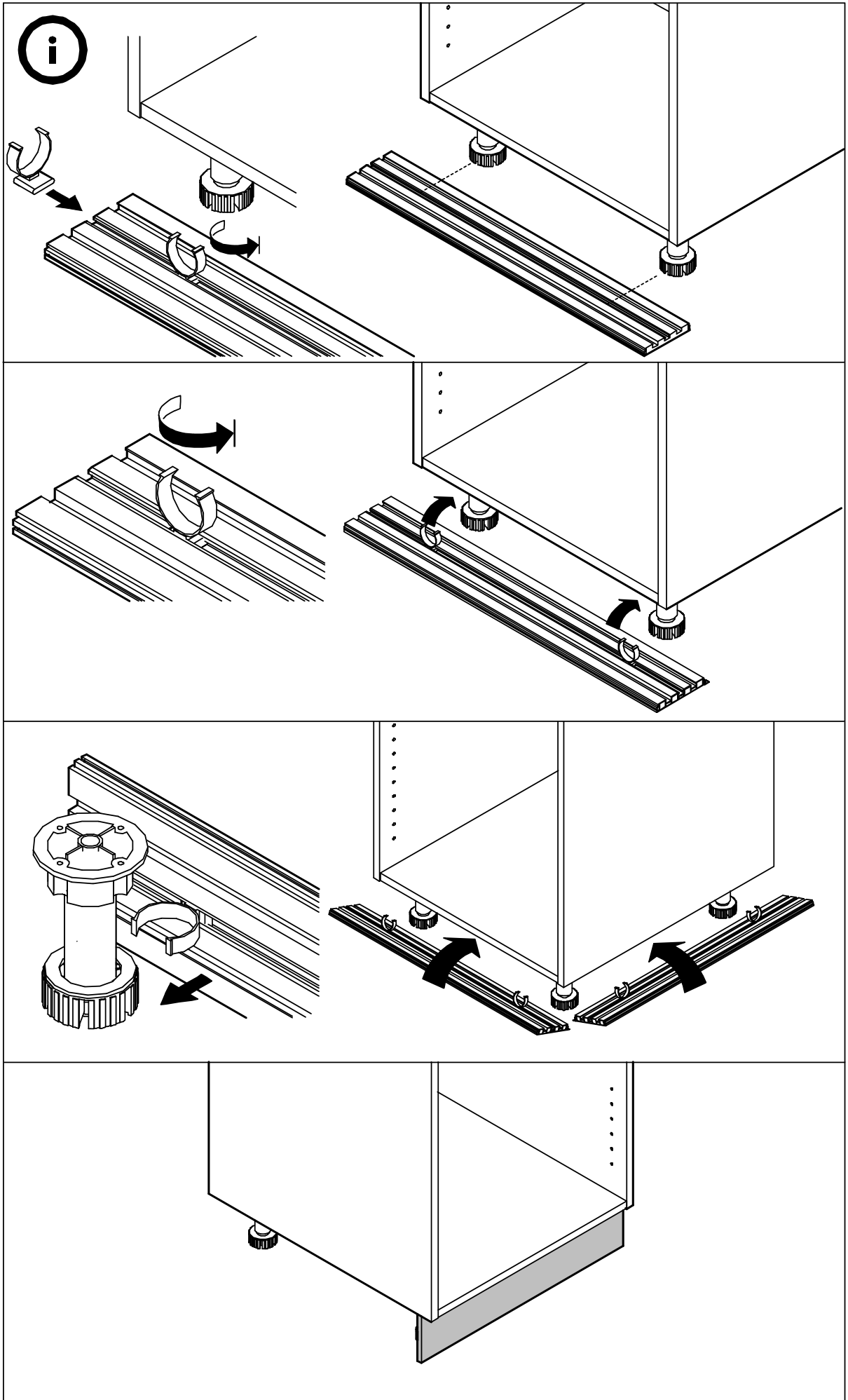
(Connecting bolts)

3



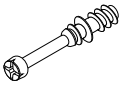
WHEN FITTING CAMS
ENSURE STARTING POSITION IS CORRECT
BEFORE YOU INSERT CONNECTING BOLT
TURN CLOCKWISE UNTIL SECURE

✓				✗
				
	CORRECT	WRONG		



HARDWARE

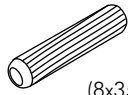
-BODY SET



x 8



x 8



(8x35)

x 10



M4x30mm.

x 6

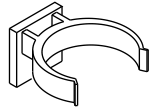


M4x16mm.

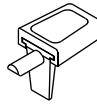
x 16



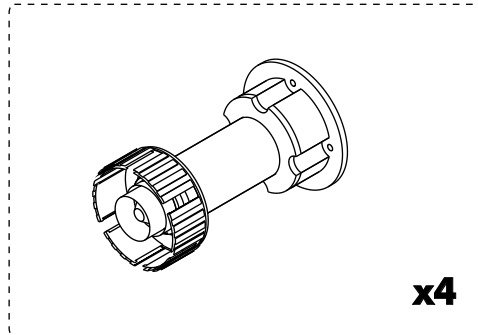
x 4



x 2

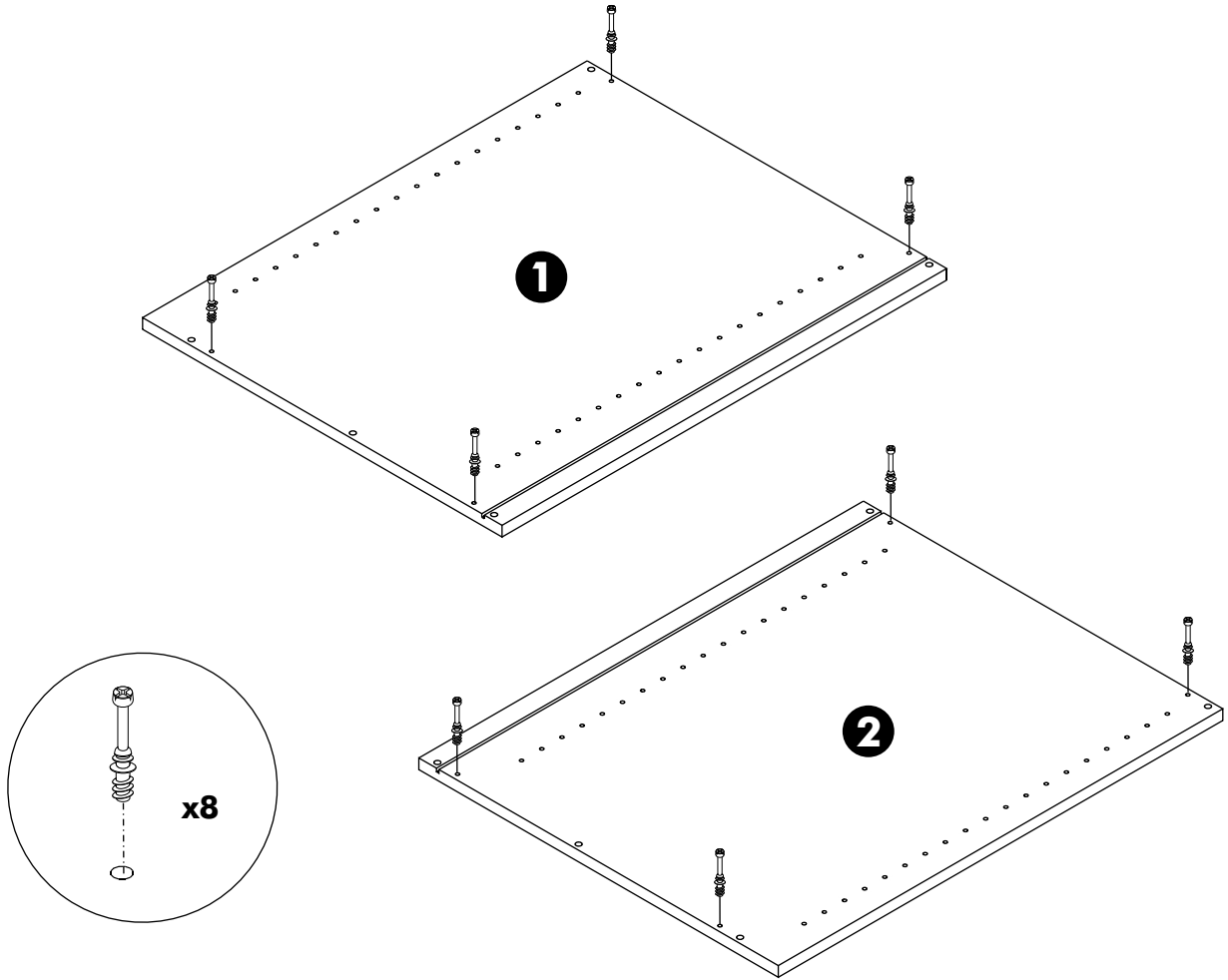


x 8

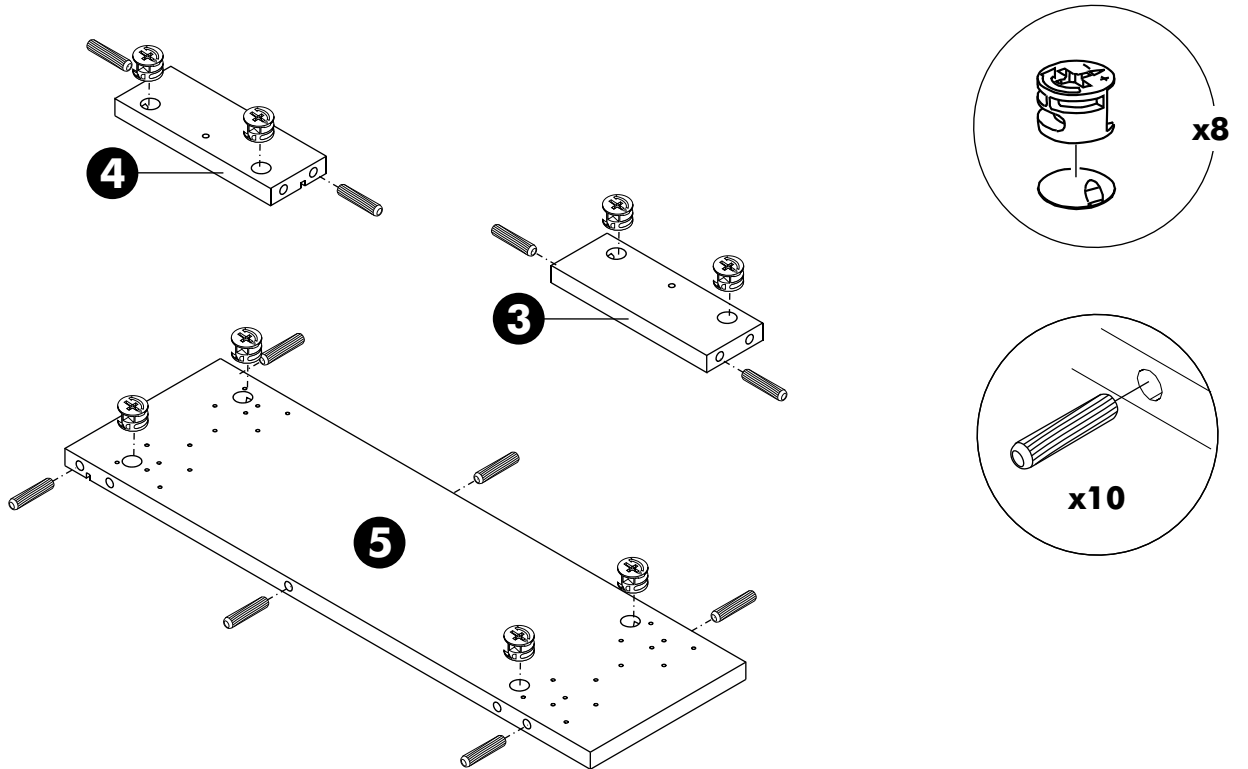


x4

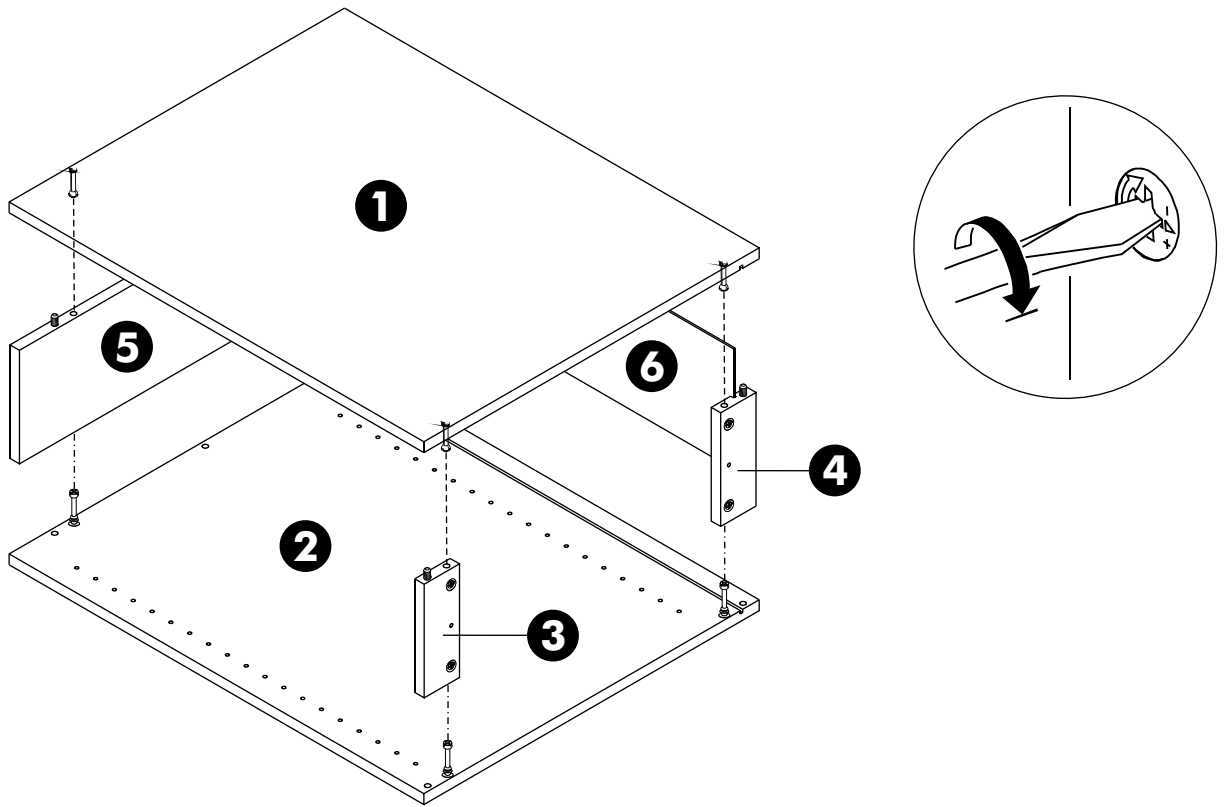
1.



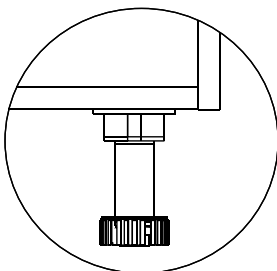
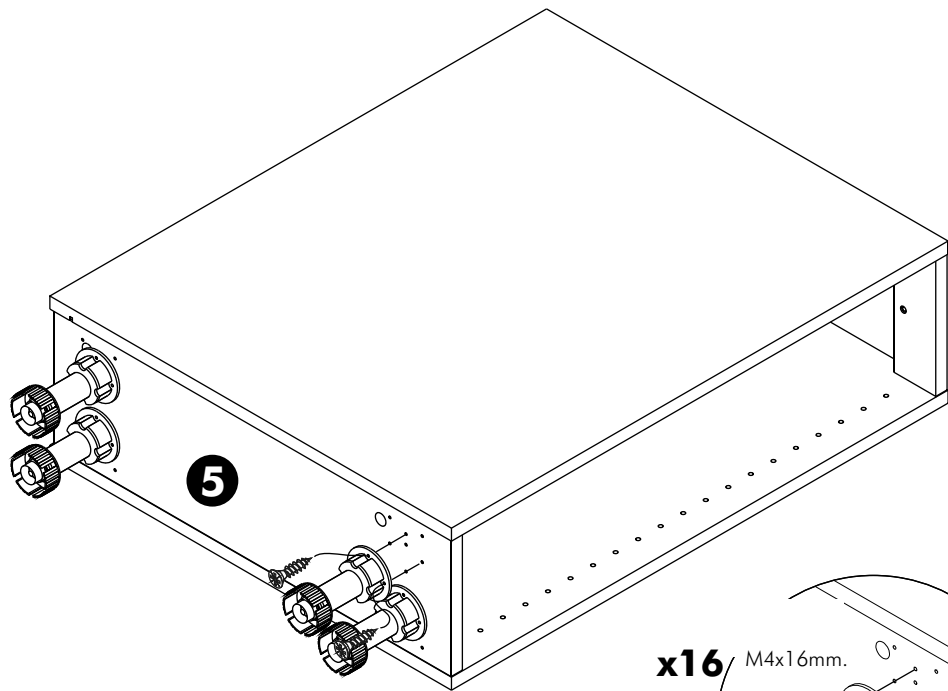
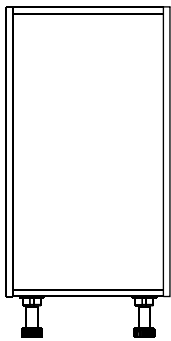
2.



3.

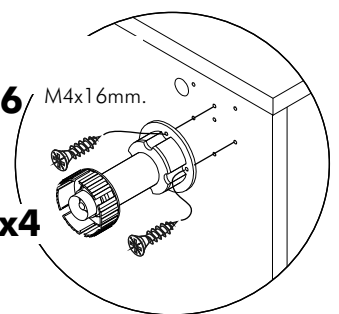


4.(A)

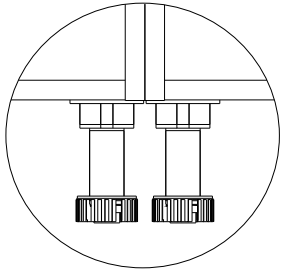
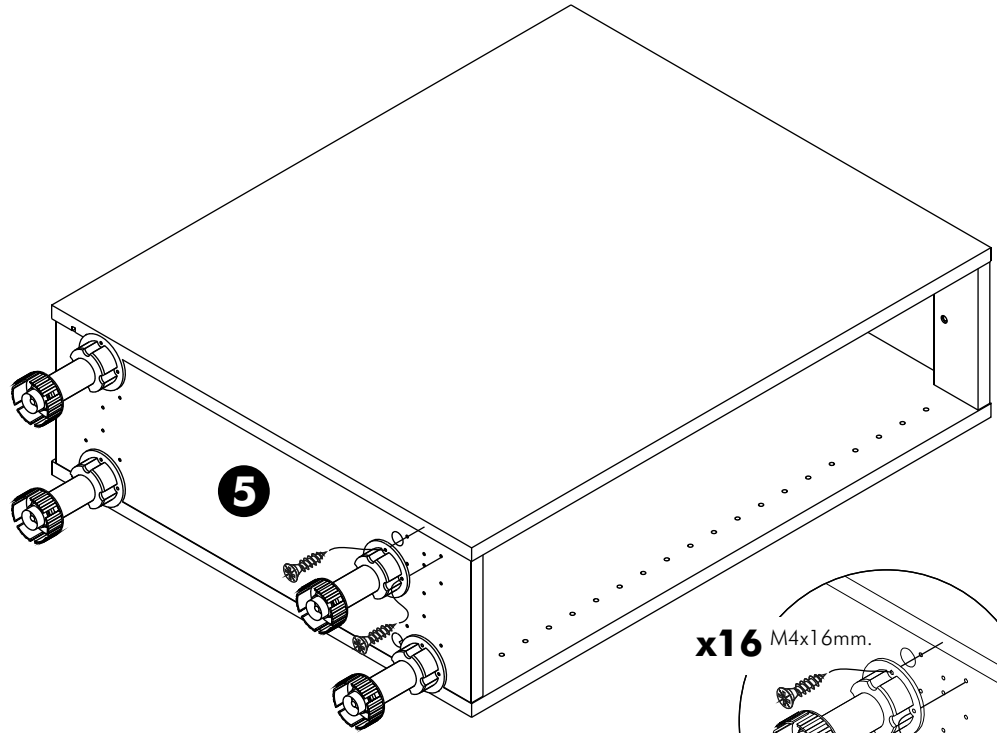
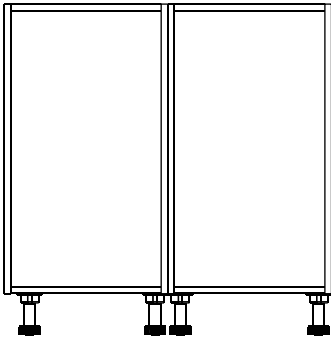


x16 M4x16mm.

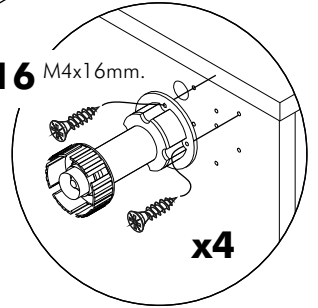
x4



4.(B)

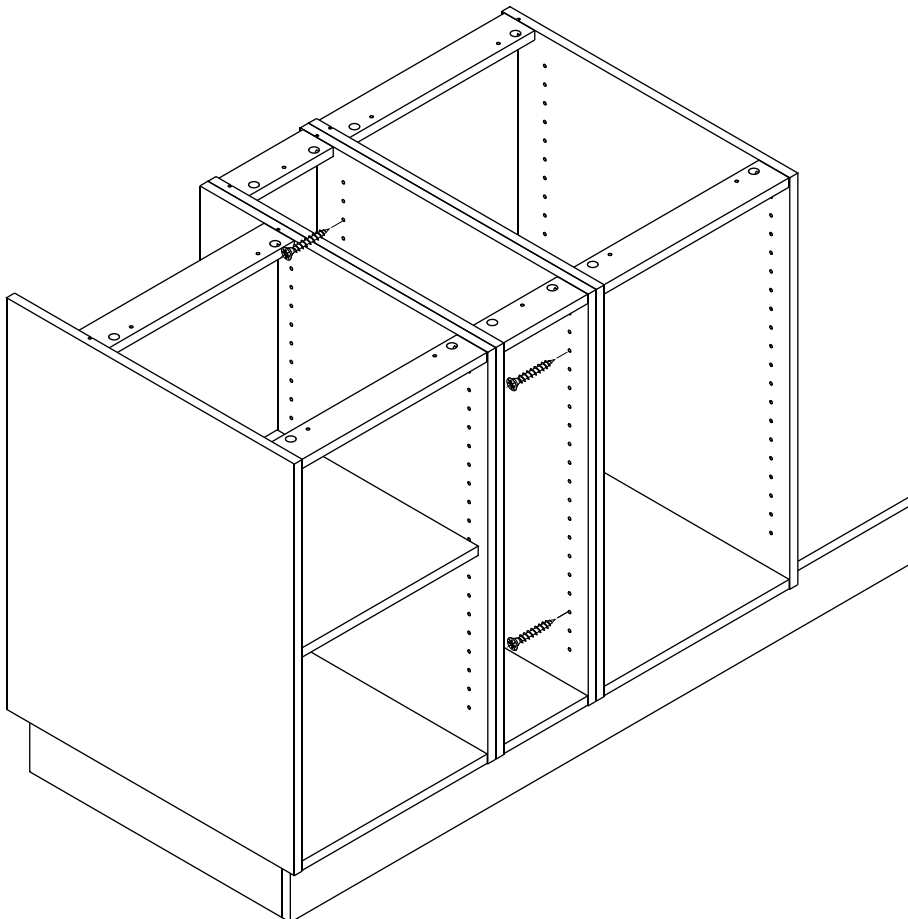


x16 M4x16mm.

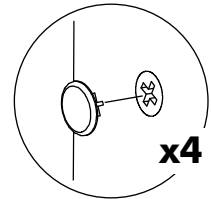
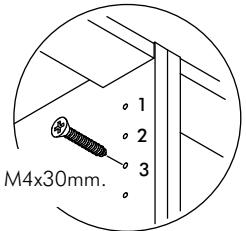


x4

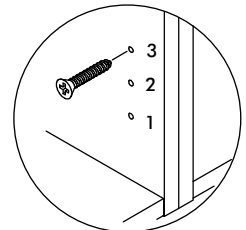
5.



x4 M4x30mm.



x4



6.

