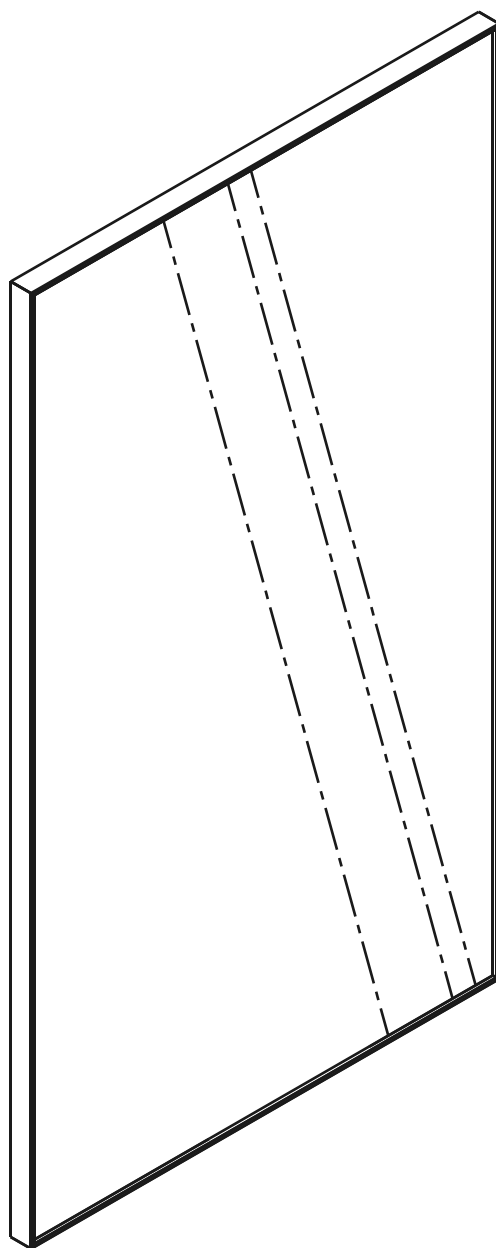


# SMART KIT

**Door front 40-91**

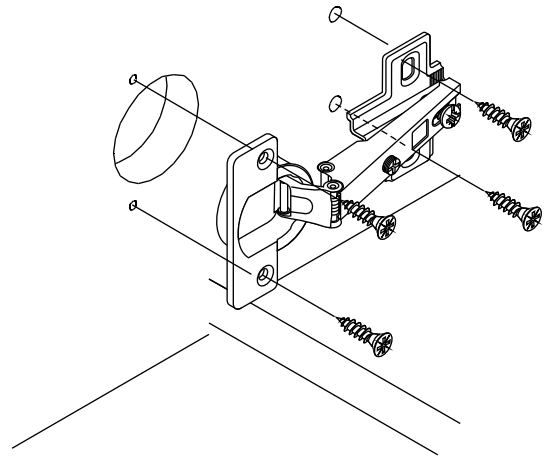
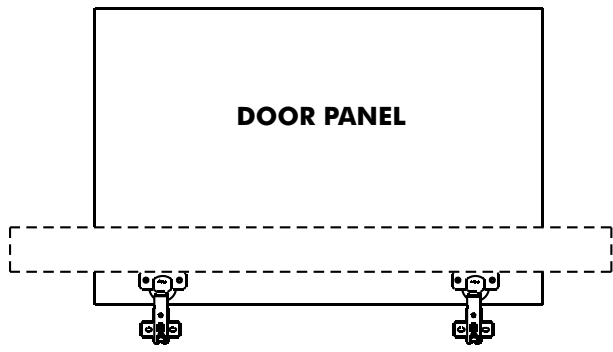
**Door front 50-91**



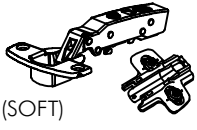
# CONNECT SYSTEM



M4x16mm.



# HARDWARE



(SOFT)

**x 2**



#5x1/2"

**x 1**

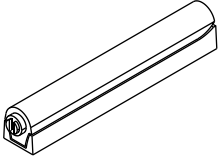


**x 4**



M4x16mm.

**x 4**



**x 1**

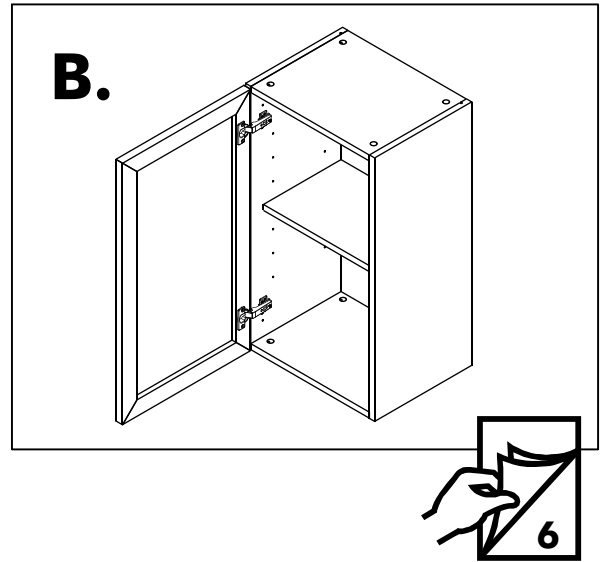
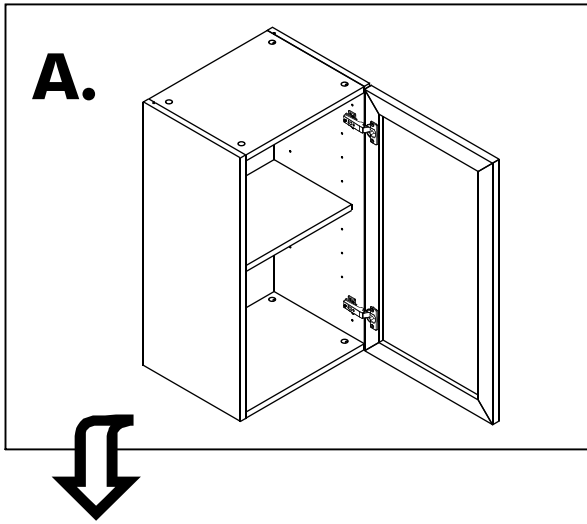


**x 1**

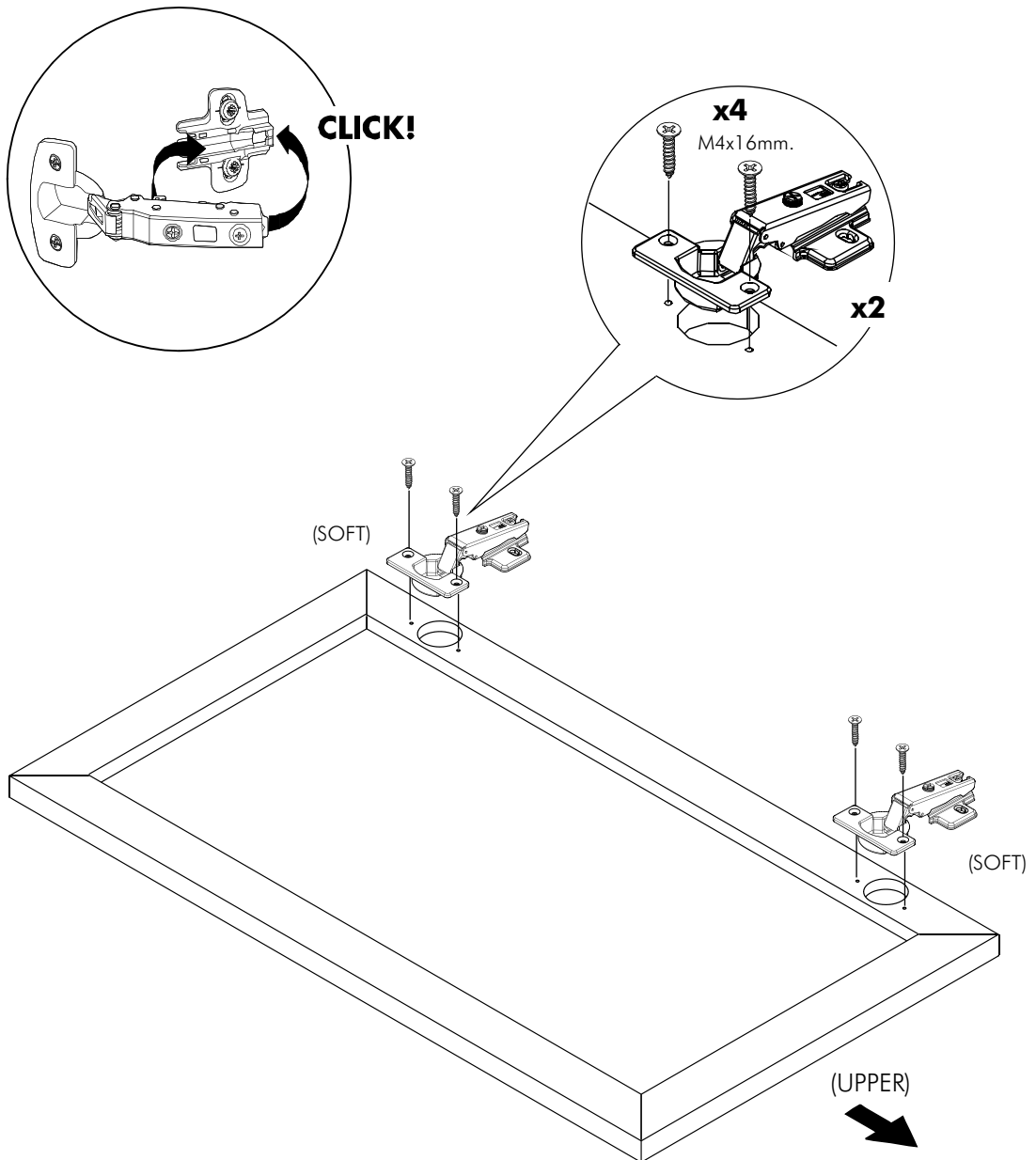


#5x5/8"

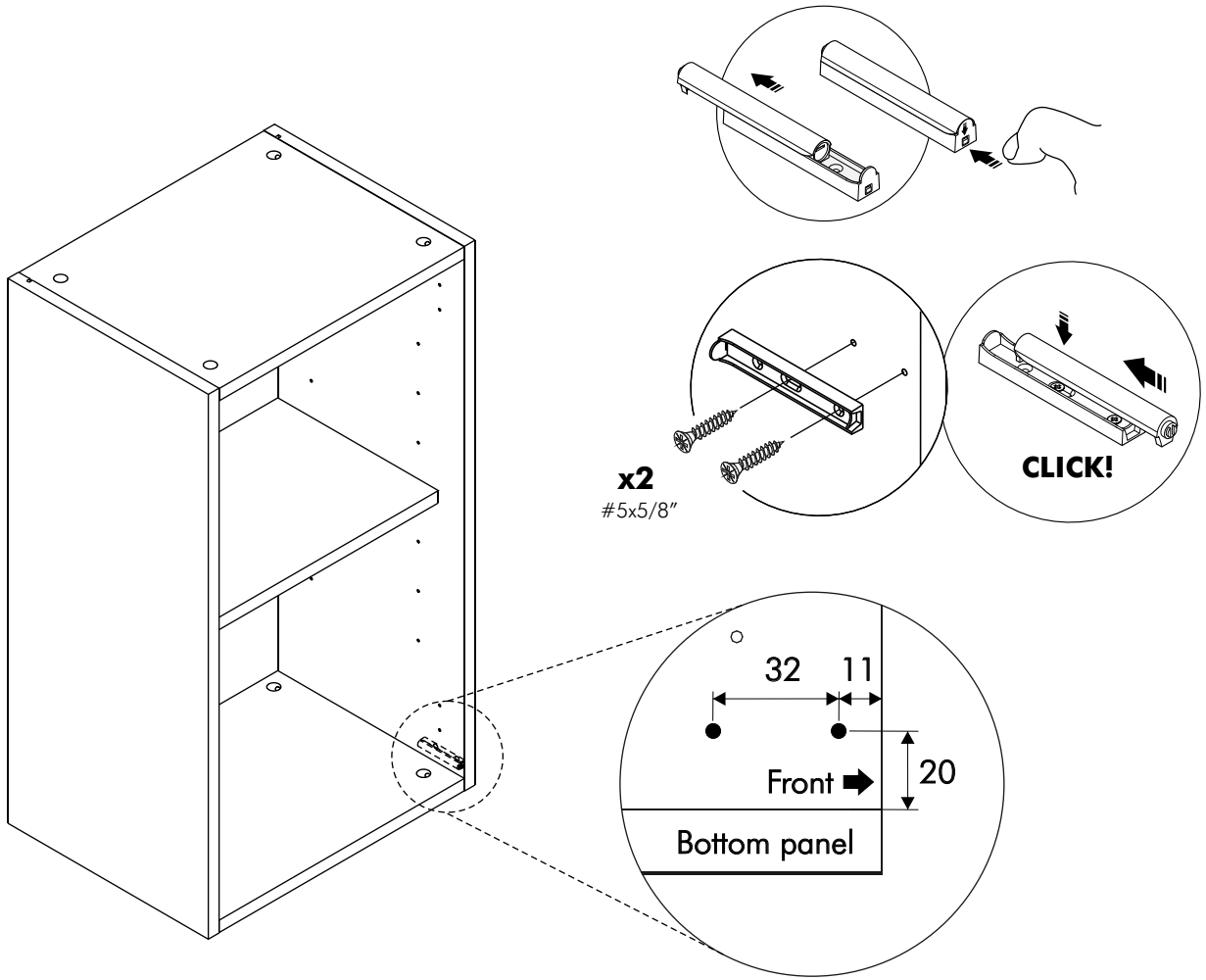
**x 2**



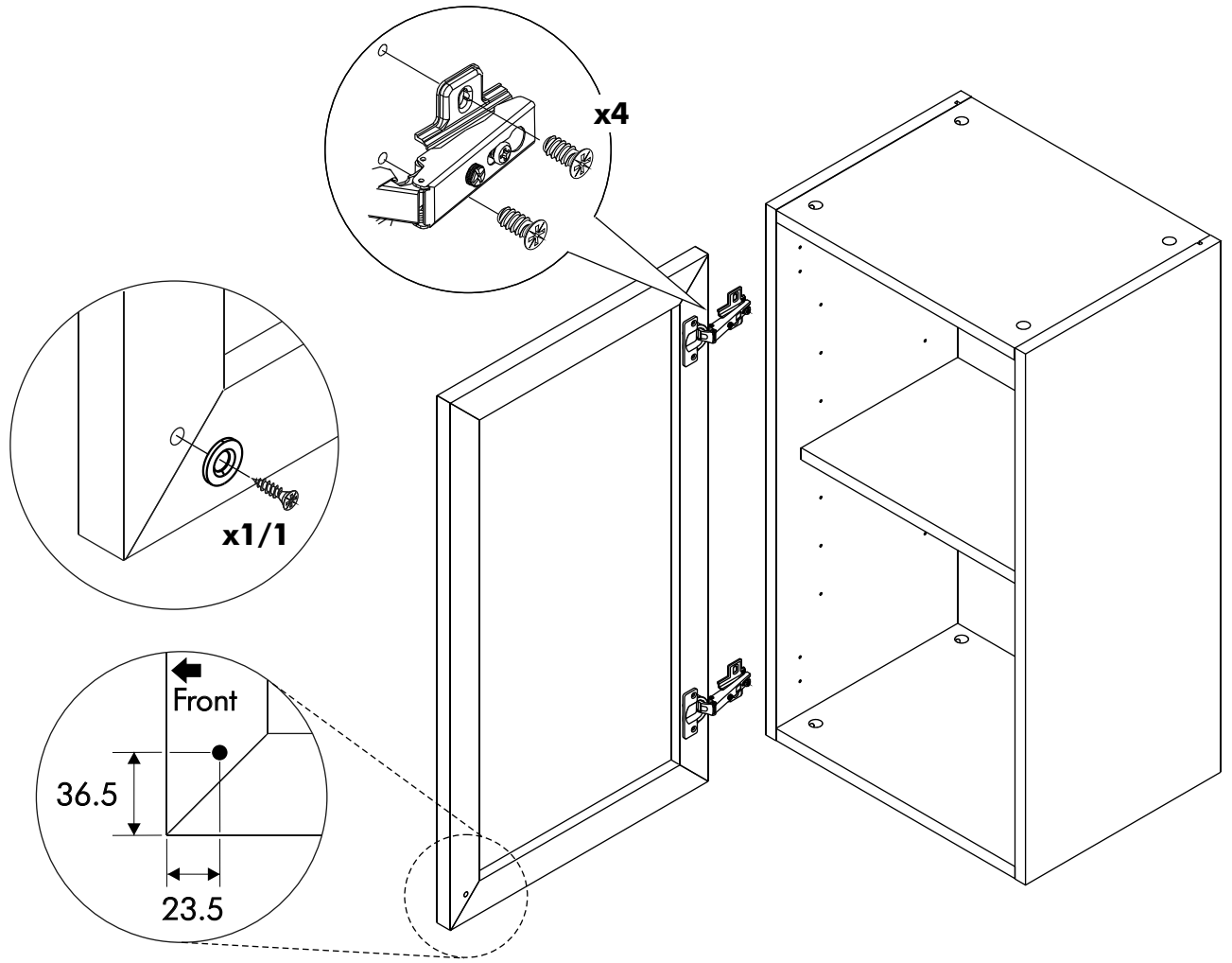
**1.**

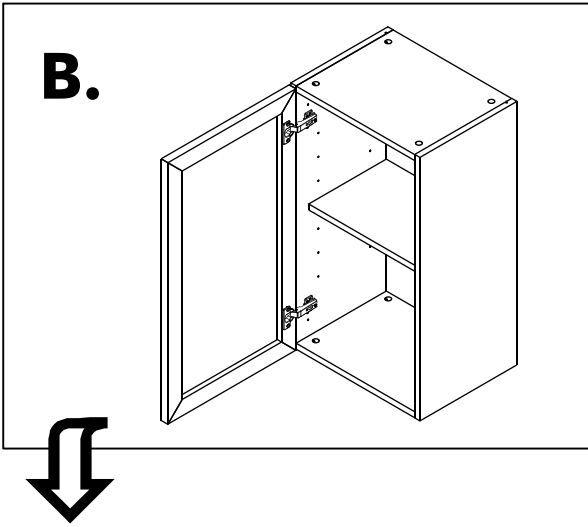


**2.**

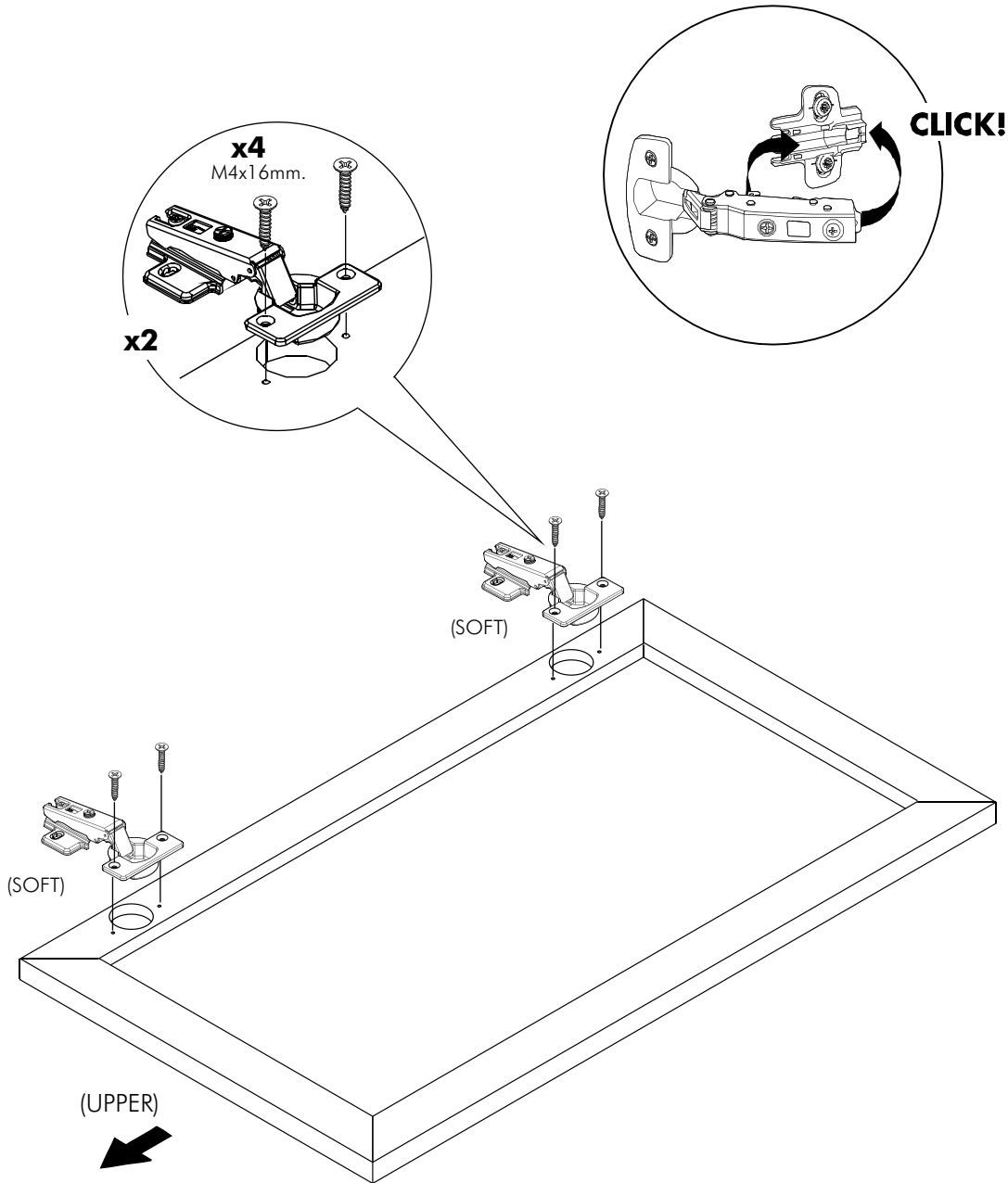


**3.**

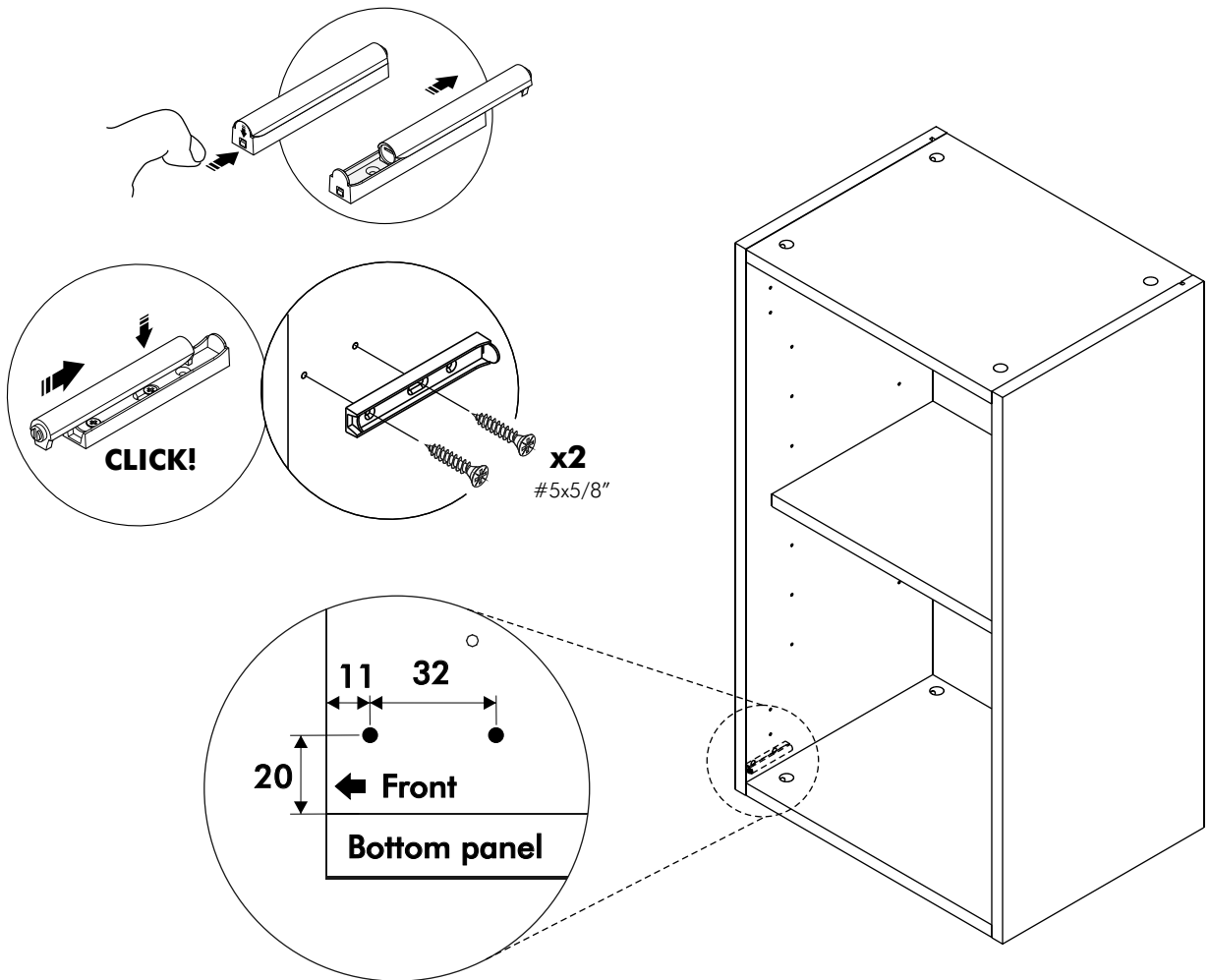




**1.**



**2.**



**3.**

