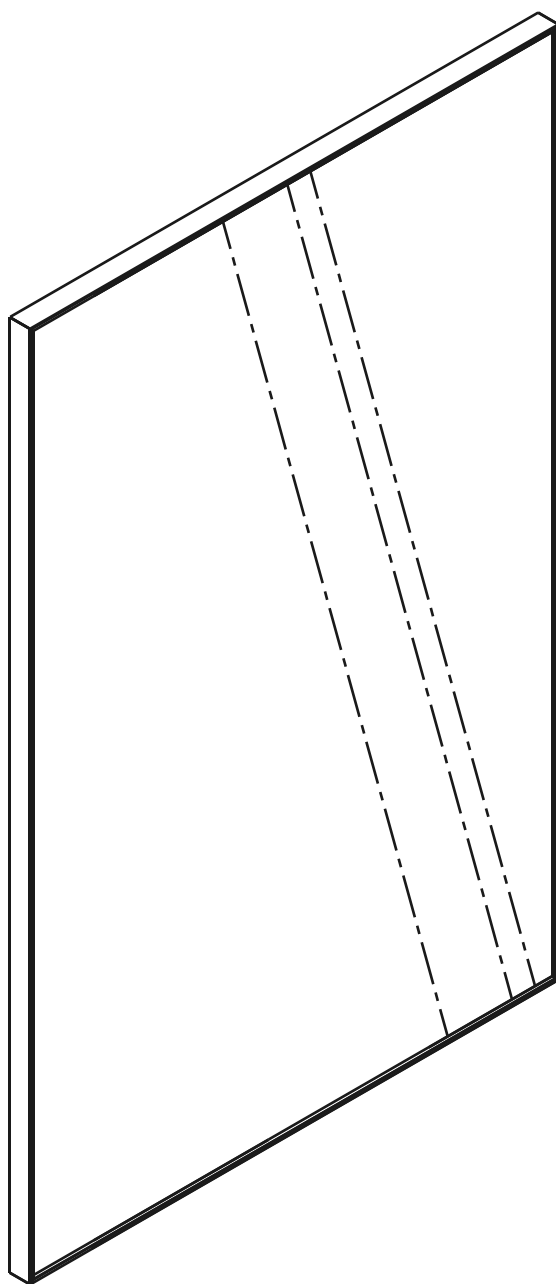


# SMART KIT

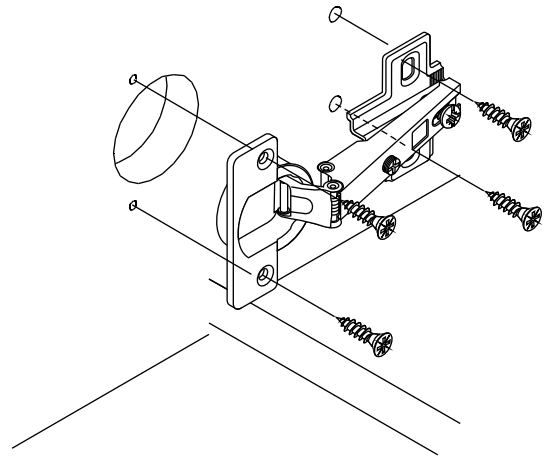
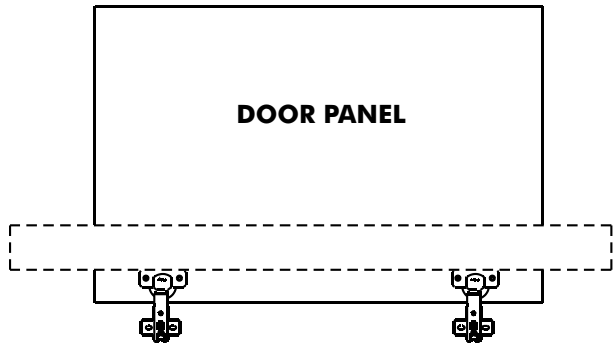
Door front 50-70



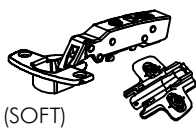
# CONNECT SYSTEM



M4x16mm.



# HARDWARE



(SOFT)

**x 2**



#5x1/2"

**x 1**

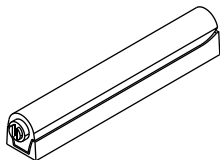


**x 4**



M4x16mm.

**x 4**



**x 1**

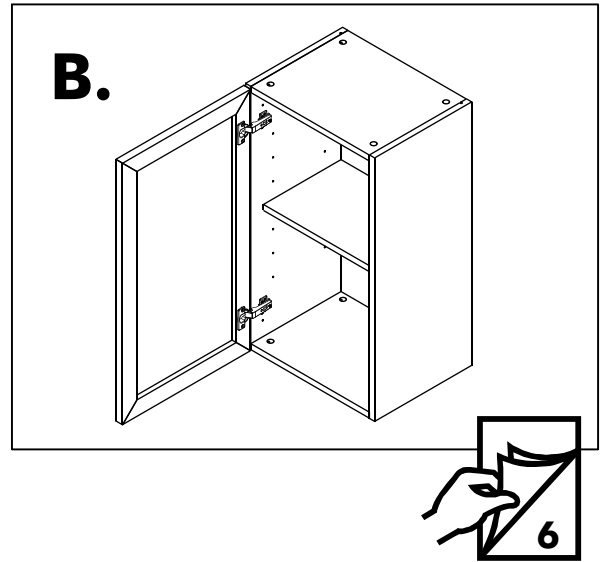
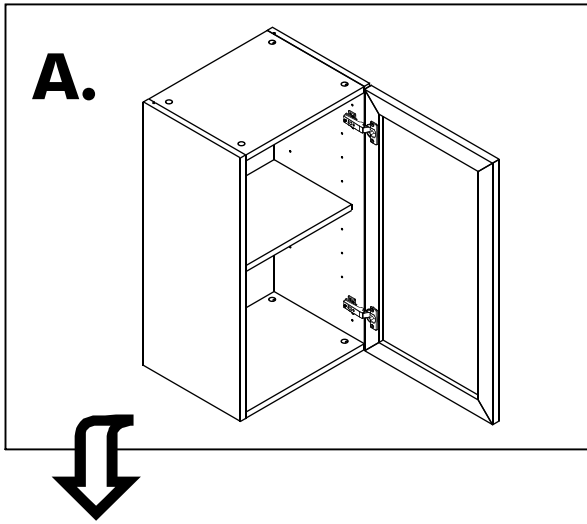


**x 1**

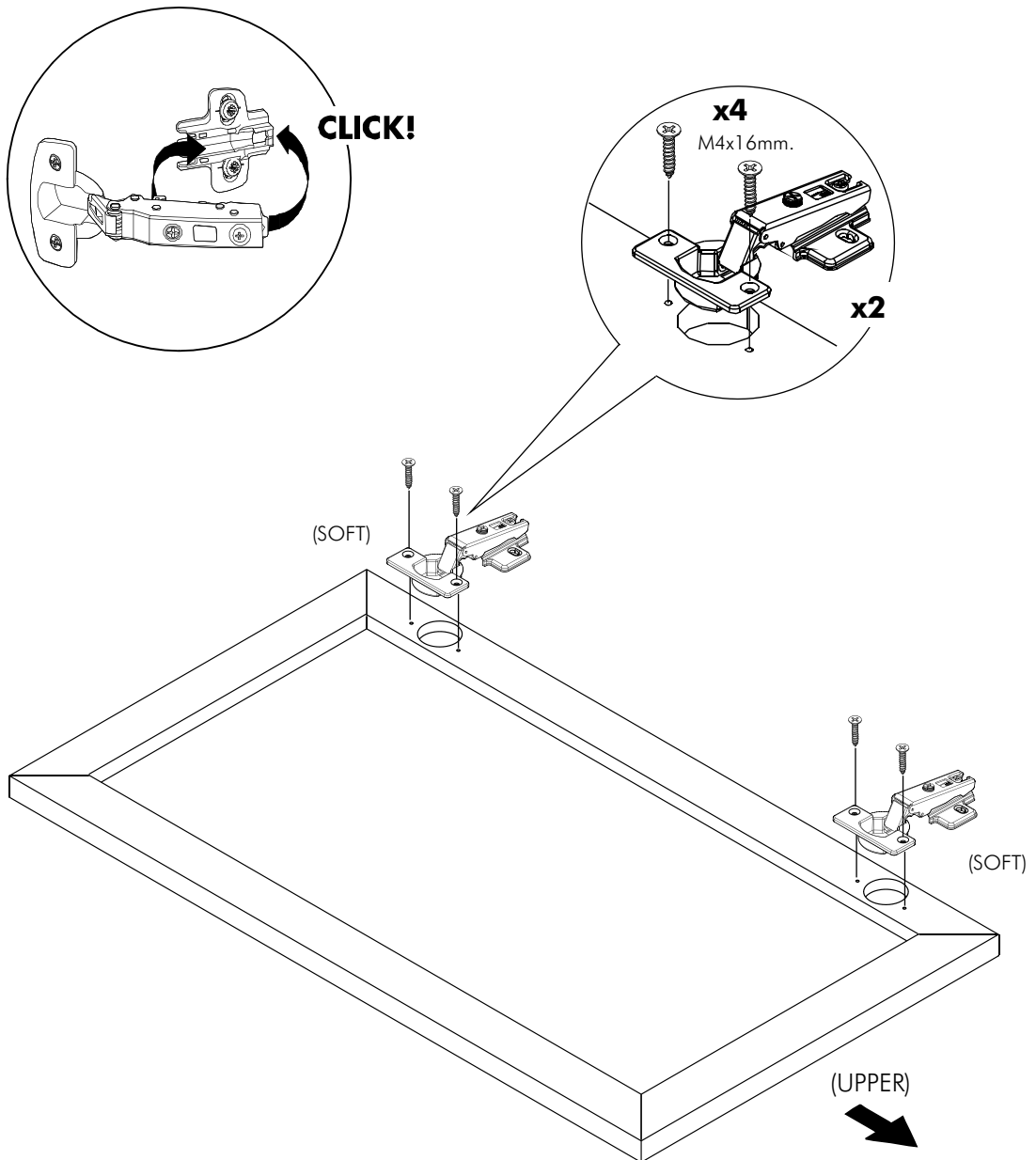


#5x5/8"

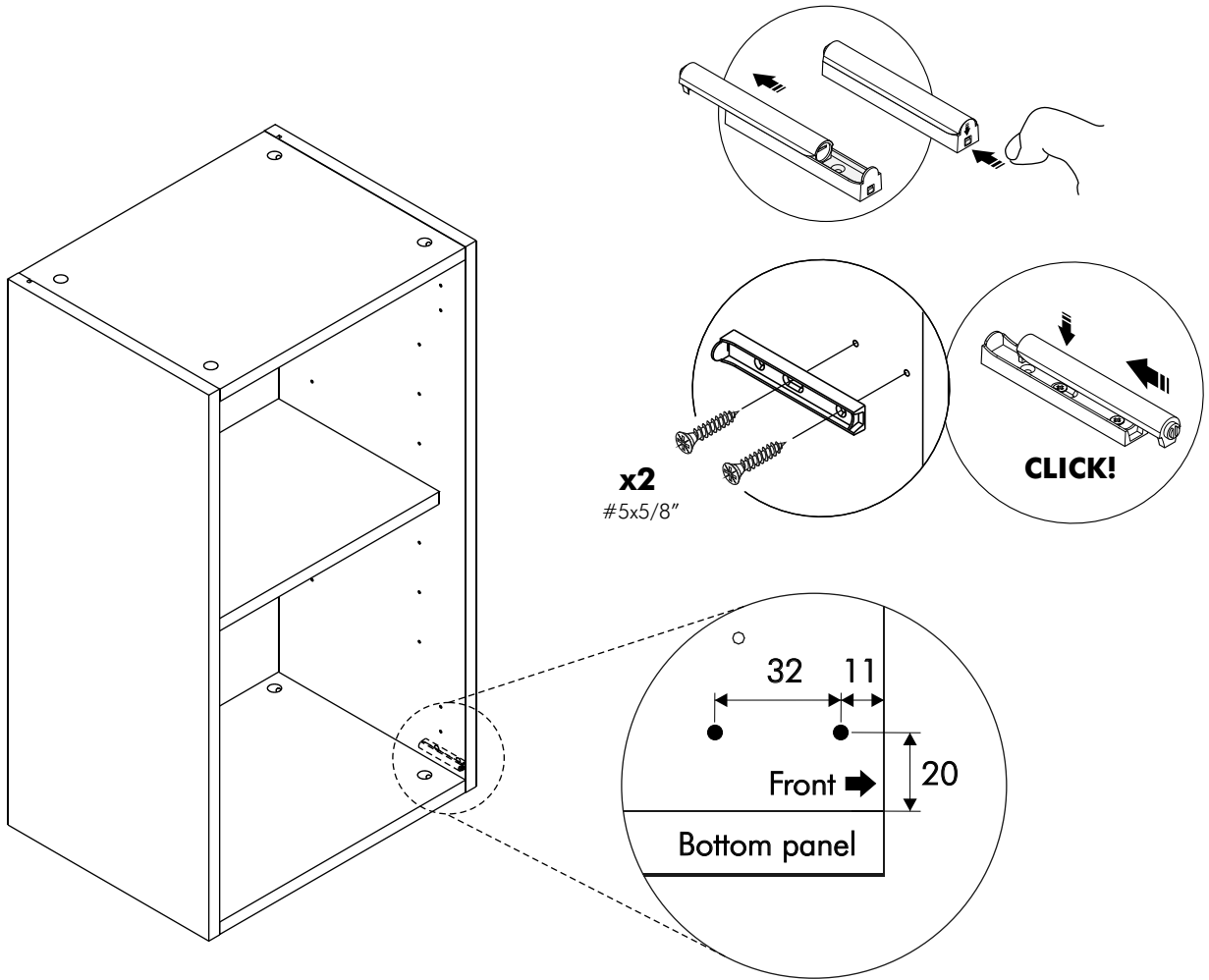
**x 2**



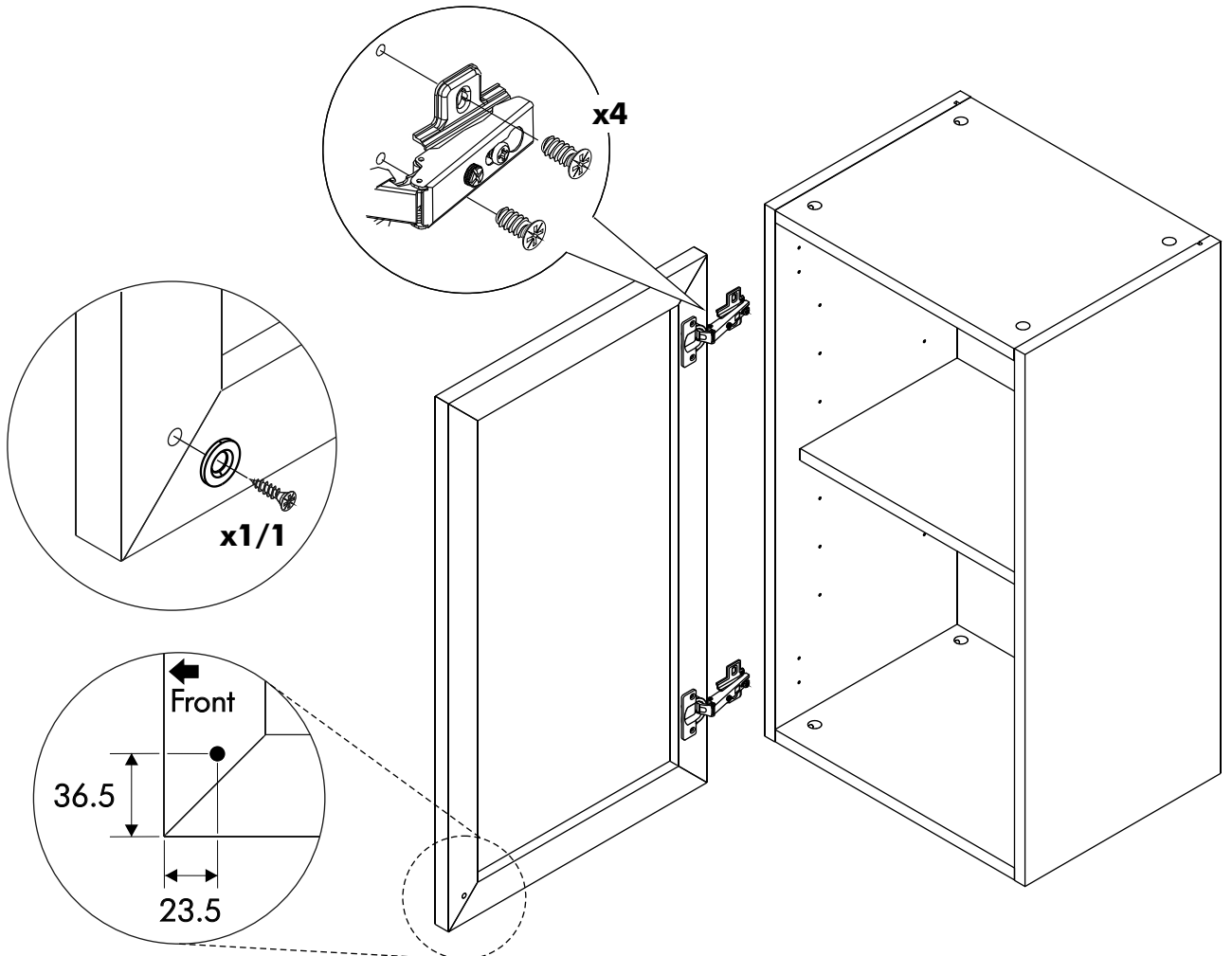
**1.**



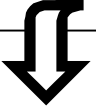
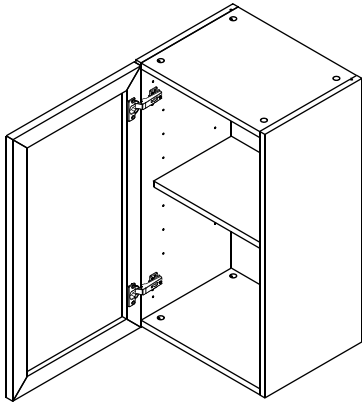
**2.**



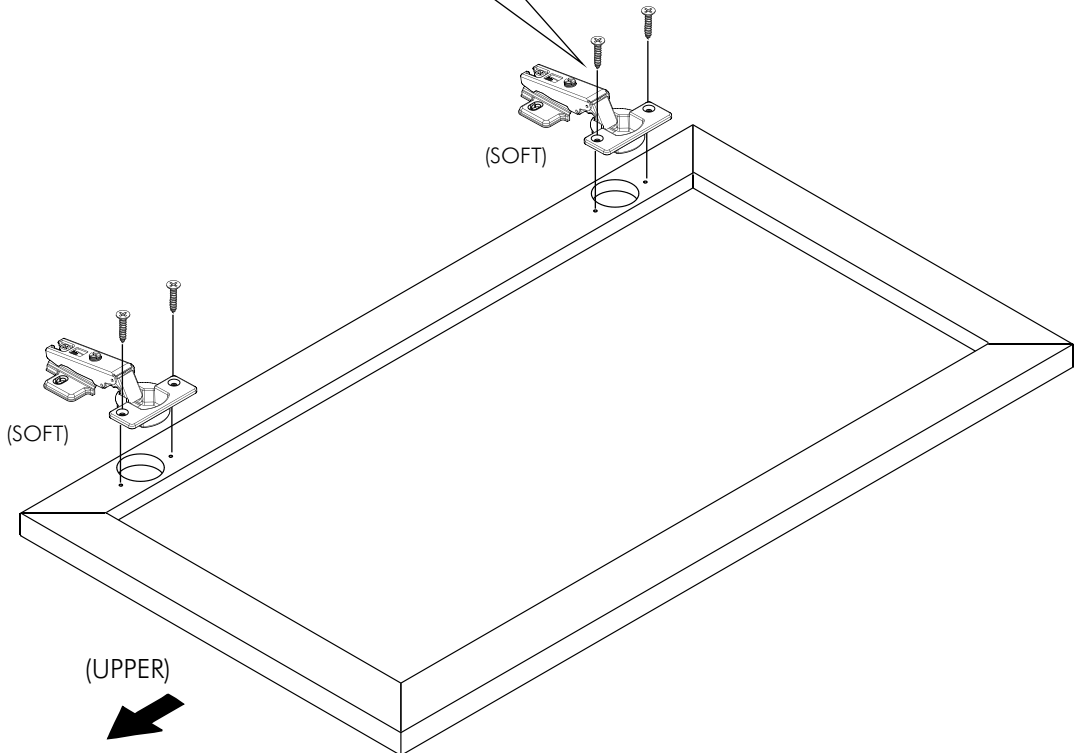
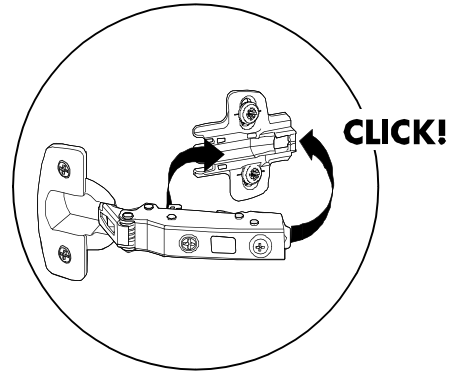
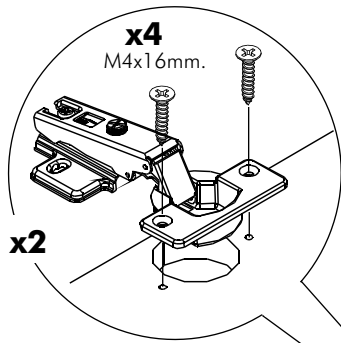
**3.**



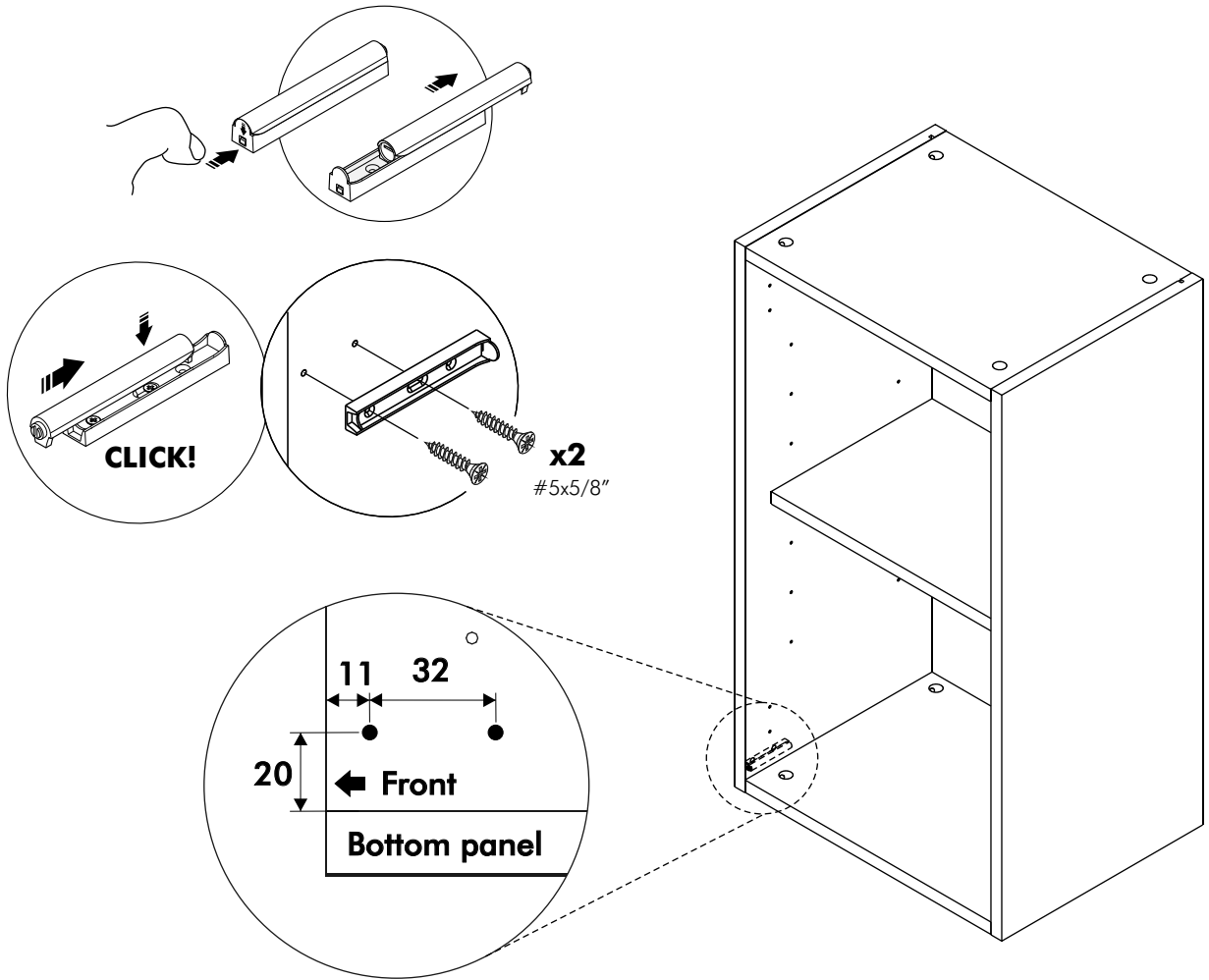
**B.**



**1.**



**2.**



**3.**

