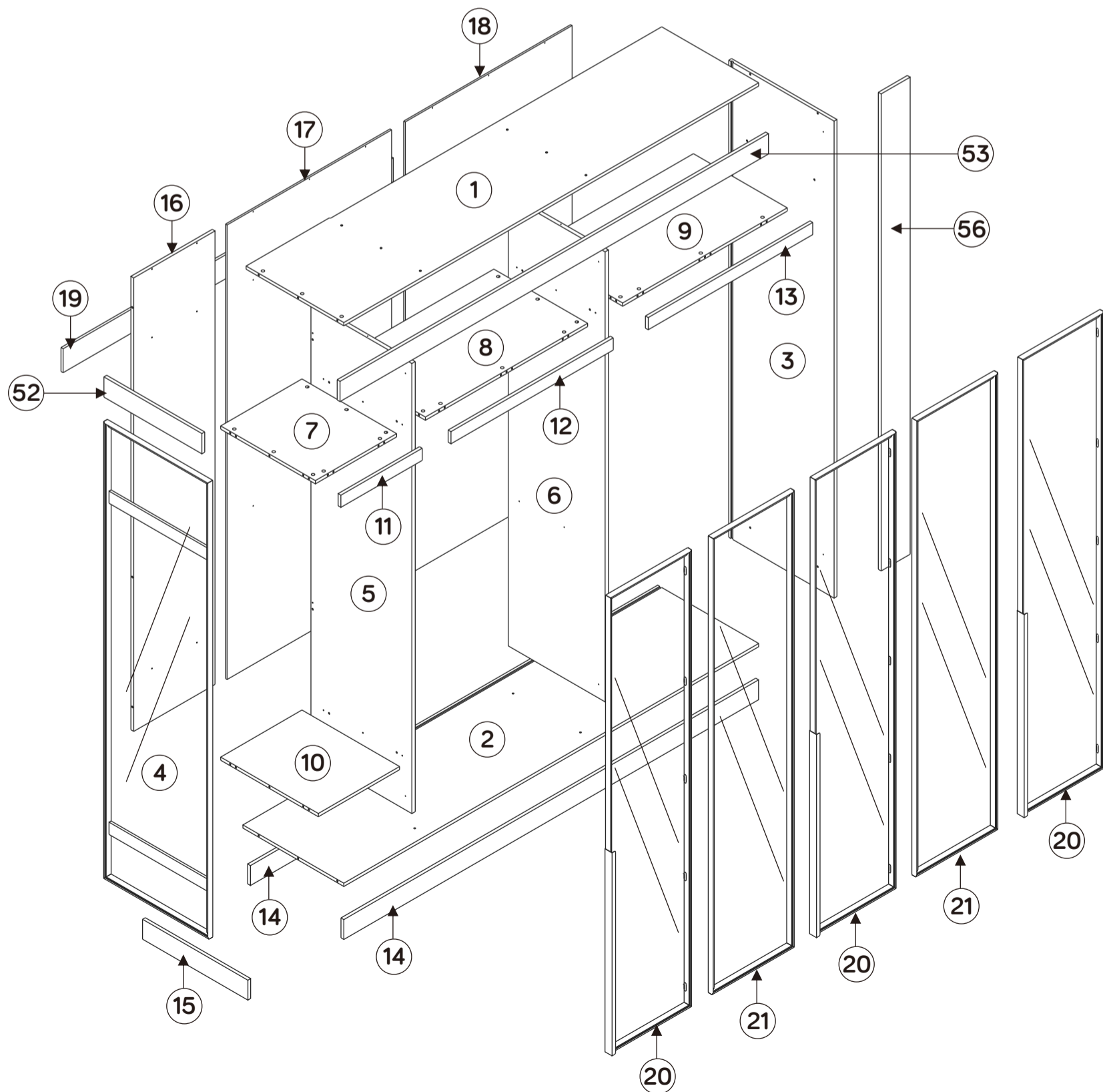
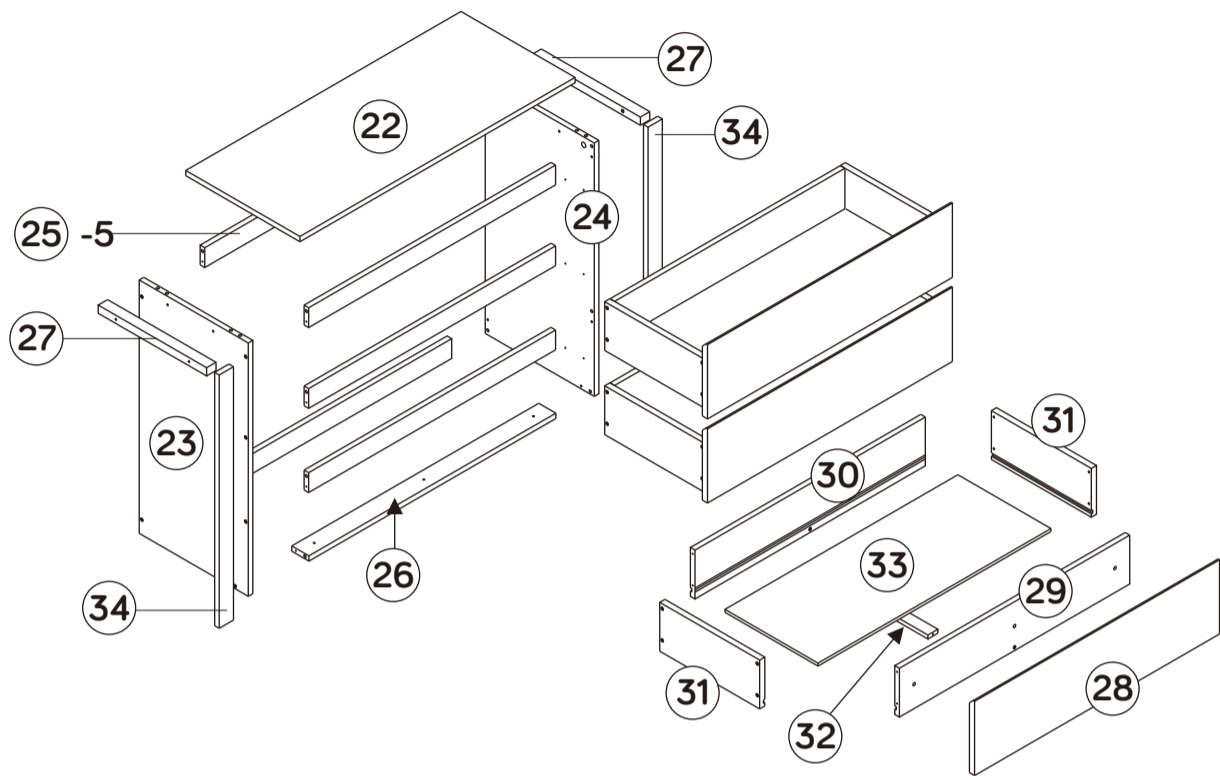
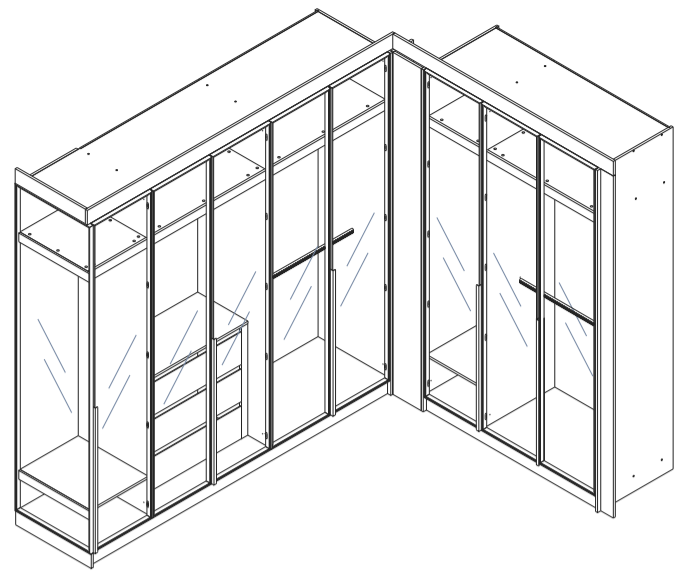


# CHAP-CL

## WARDROBE 419.1x60x240

### 160086741(N629)



# CHAP-CL

## WARDROBE 419.1x60x240

### 160086741(N629)

