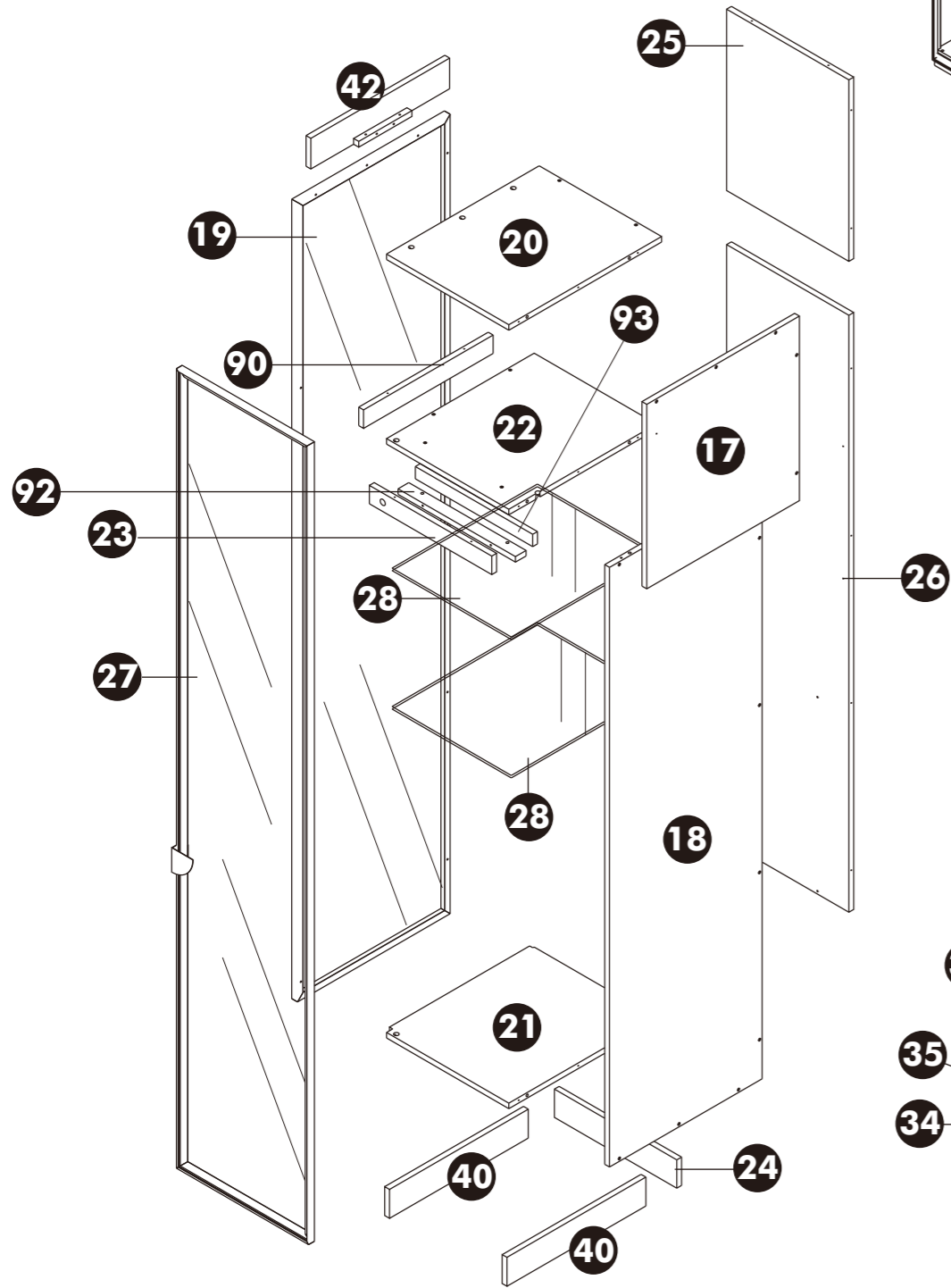
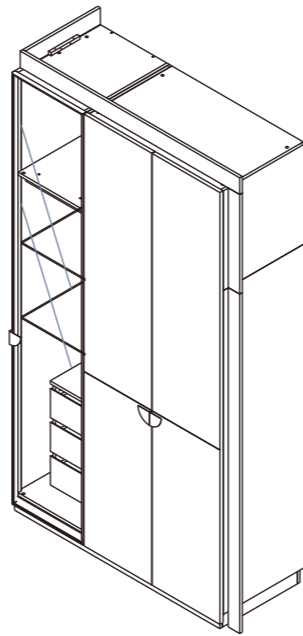


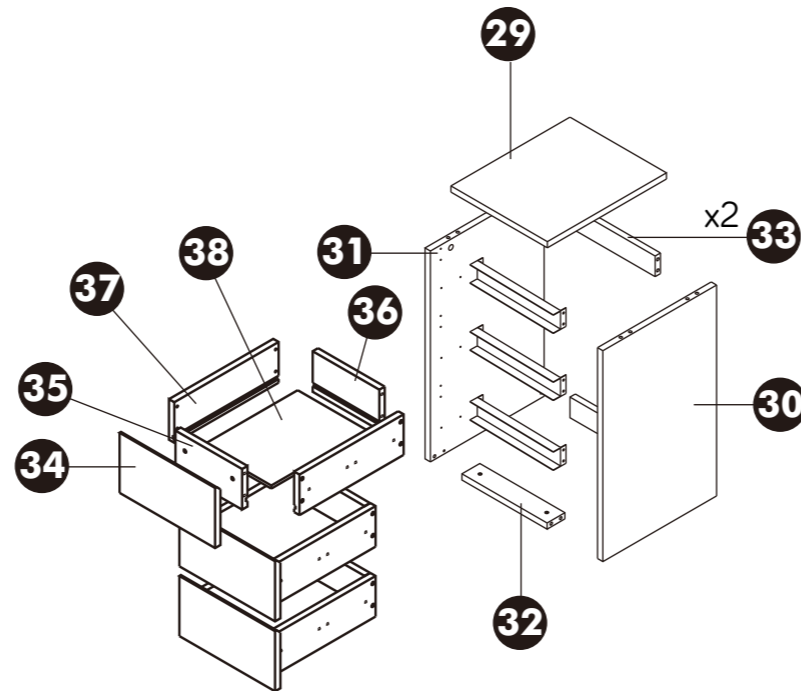
# CHAP-CN

## WARDROBE 150x60x270

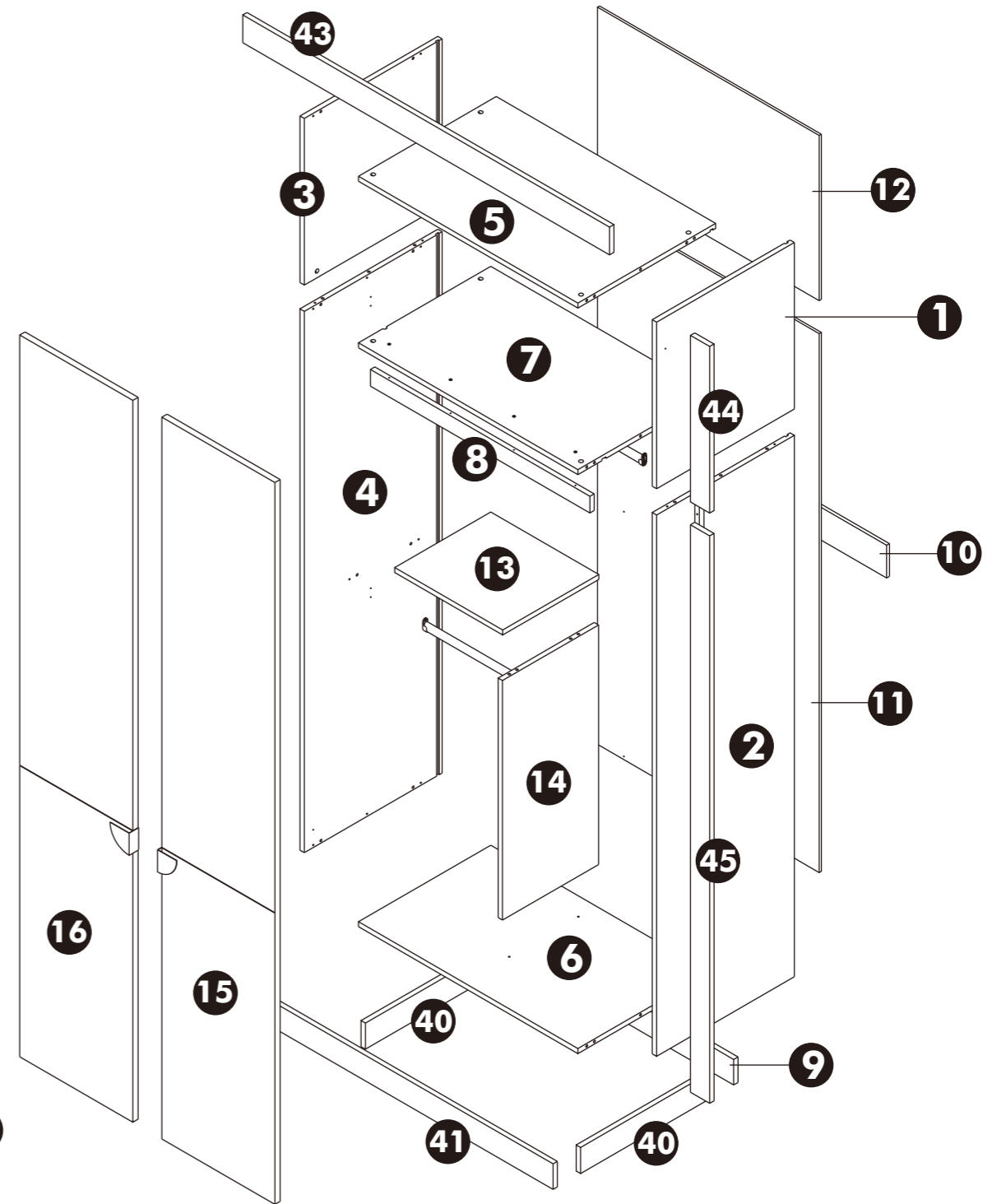
### 160084424 (N2R)



ELEVATION A



ELEVATION B



ELEVATION C

