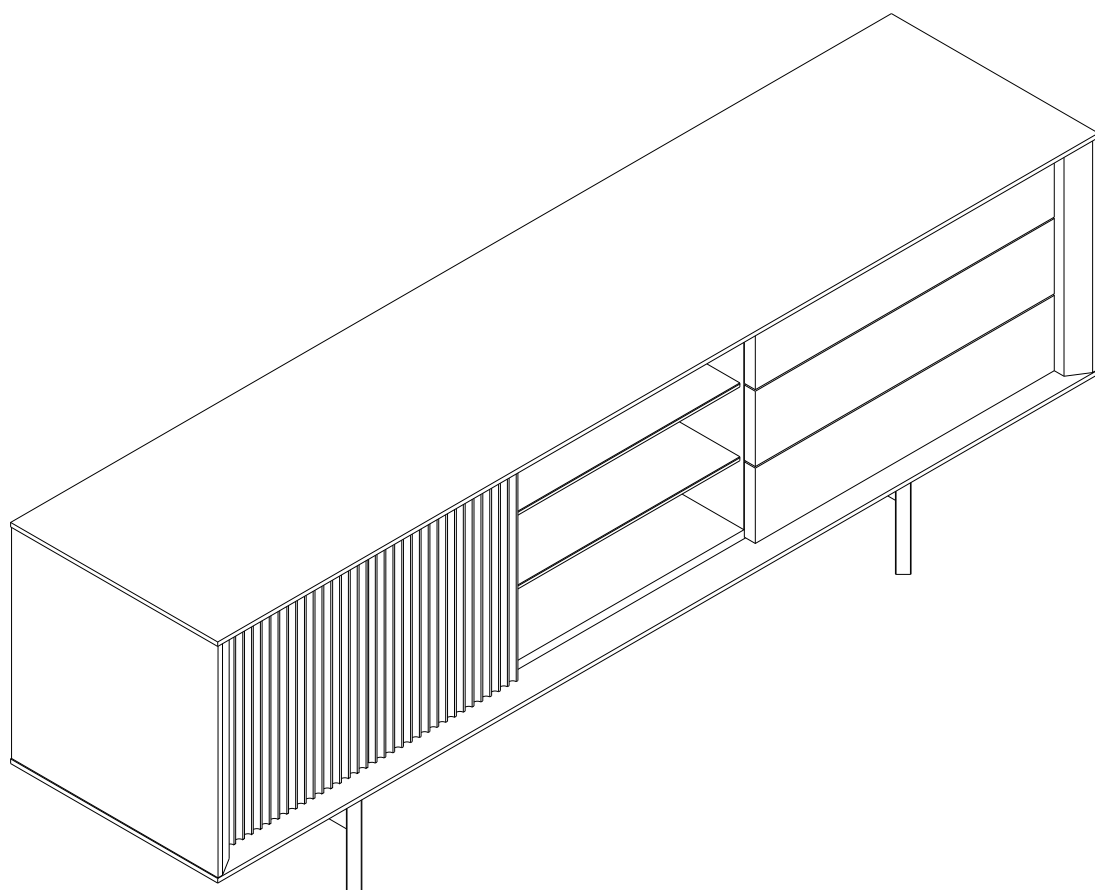


FLOVIN

TV UNIT 200 CM.



CONNECT SYSTEM

1

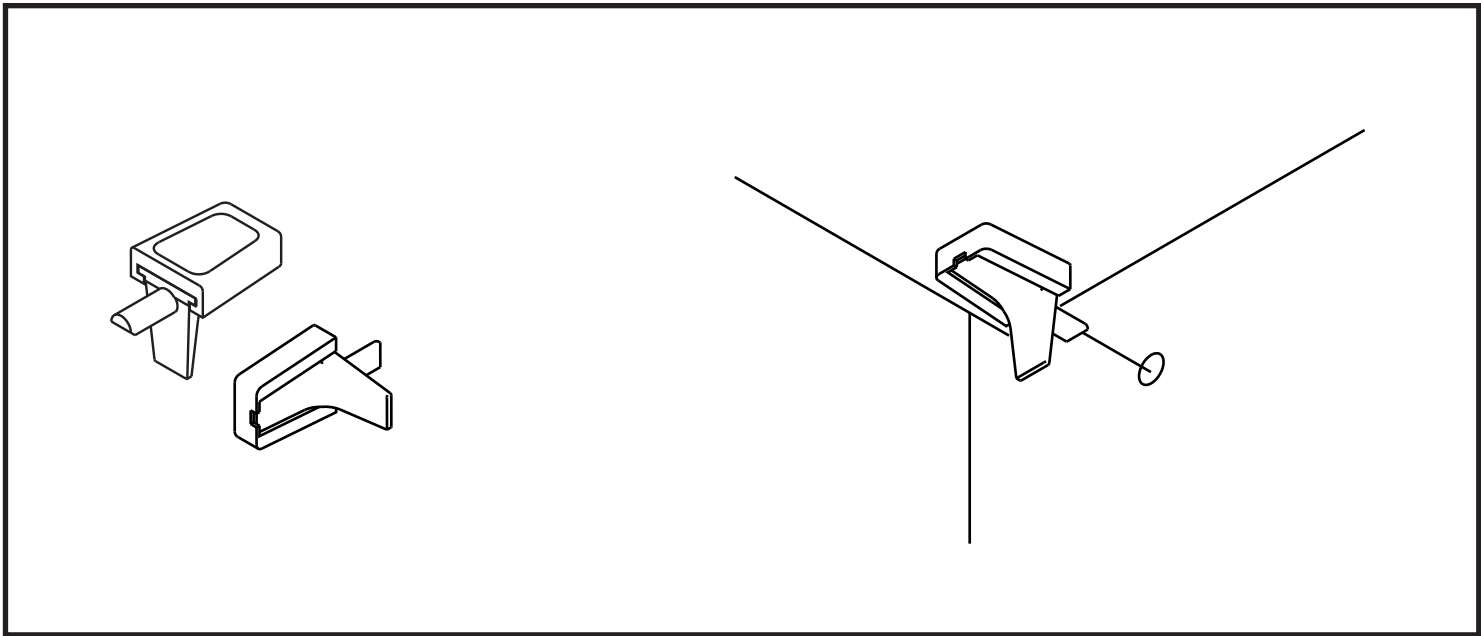
3

2

(Connecting bolts)

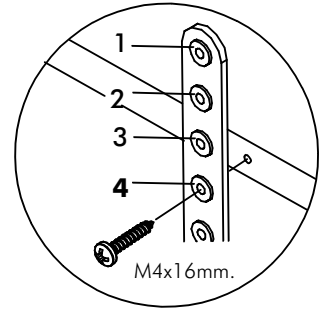
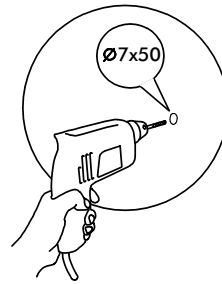
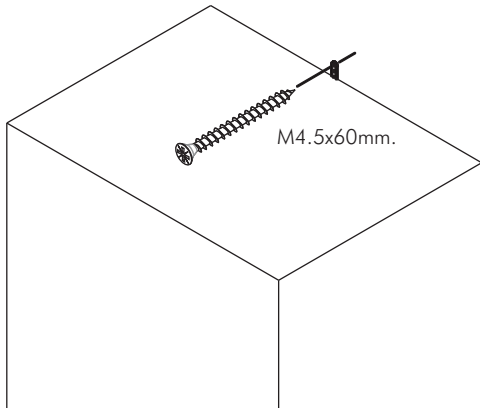
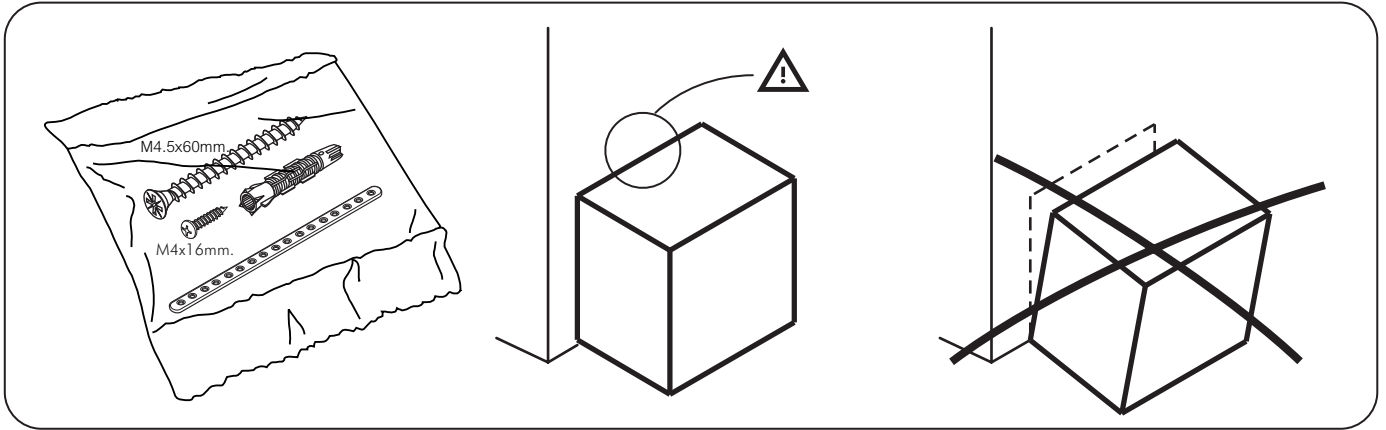
WHEN FITTING CAMS
 ENSURE STARTING POSITION IS CORRECT
 BEFORE YOU INSERT CONNECTING BOLT
 TURN CLOCKWISE UNTIL SECURE

✓			✗
↑			
CORRECT		WRONG	



M4x16mm.

DOOR PANEL



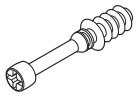
ควรยึดเฟอร์นิเจอร์เข้ากับผนังด้วยอุปกรณ์ยึดเพื่อความปลอดภัย
ตามความเหมาะสมการใช้งานจริงของสินค้า

The furniture should be attached to the wall with safety fasteners.

As appropriate, the actual use of the product.

HARDWARE

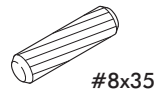
-BODY SET



x 16



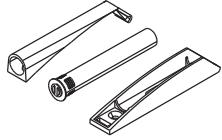
x 16



x 16



x 8



x 2



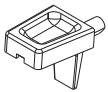
x 4



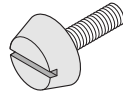
x 2



x 2



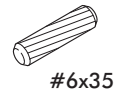
x 4



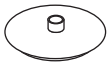
x 4



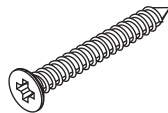
x 8



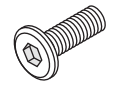
x 4



x 6



x 29

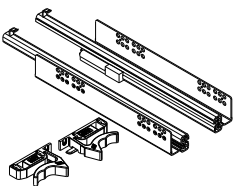


x 8



x 4

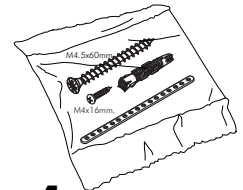
-DRAWER SET



x 3



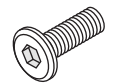
x 4



x 1



x 18



x 9



x 6



x 12

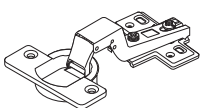


x 1

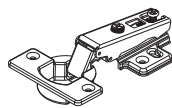


x 24

-DOOR SET



x 2



x 2



x 16

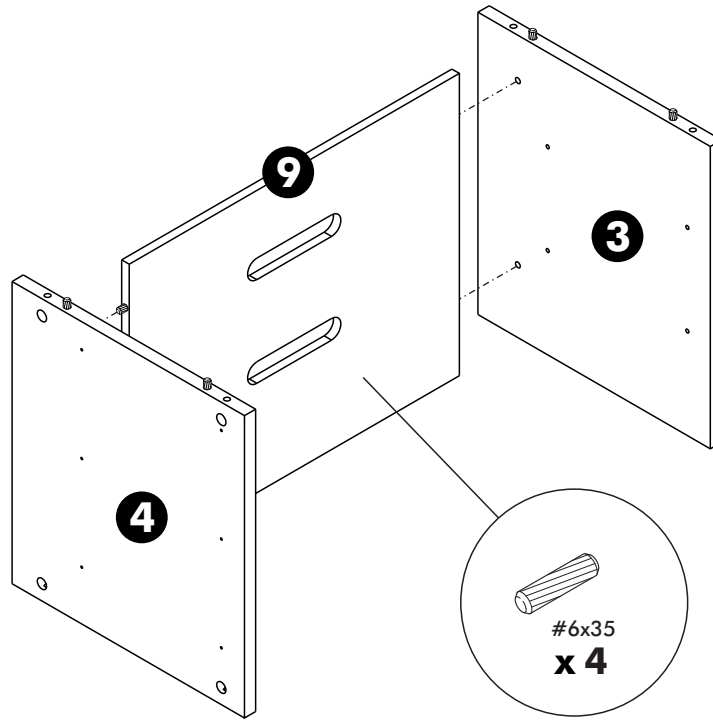


x 2

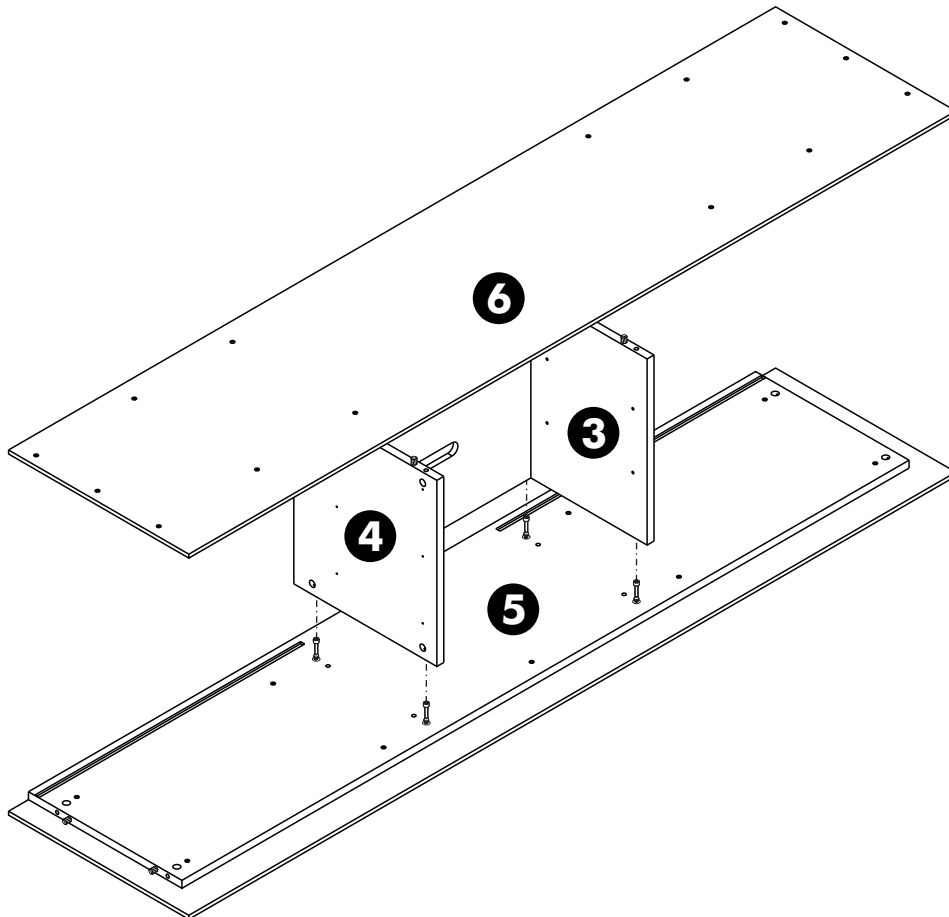
ASSEMBLY

-BODY SET

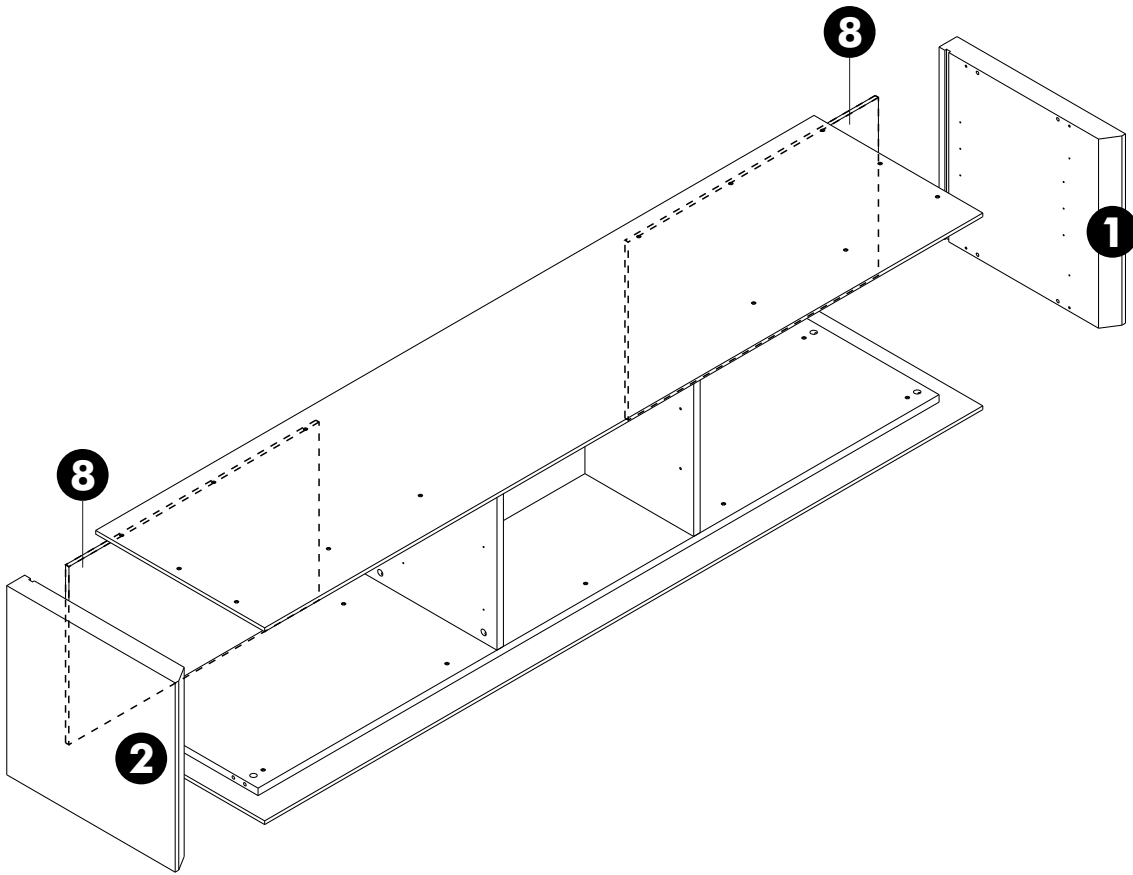
1.



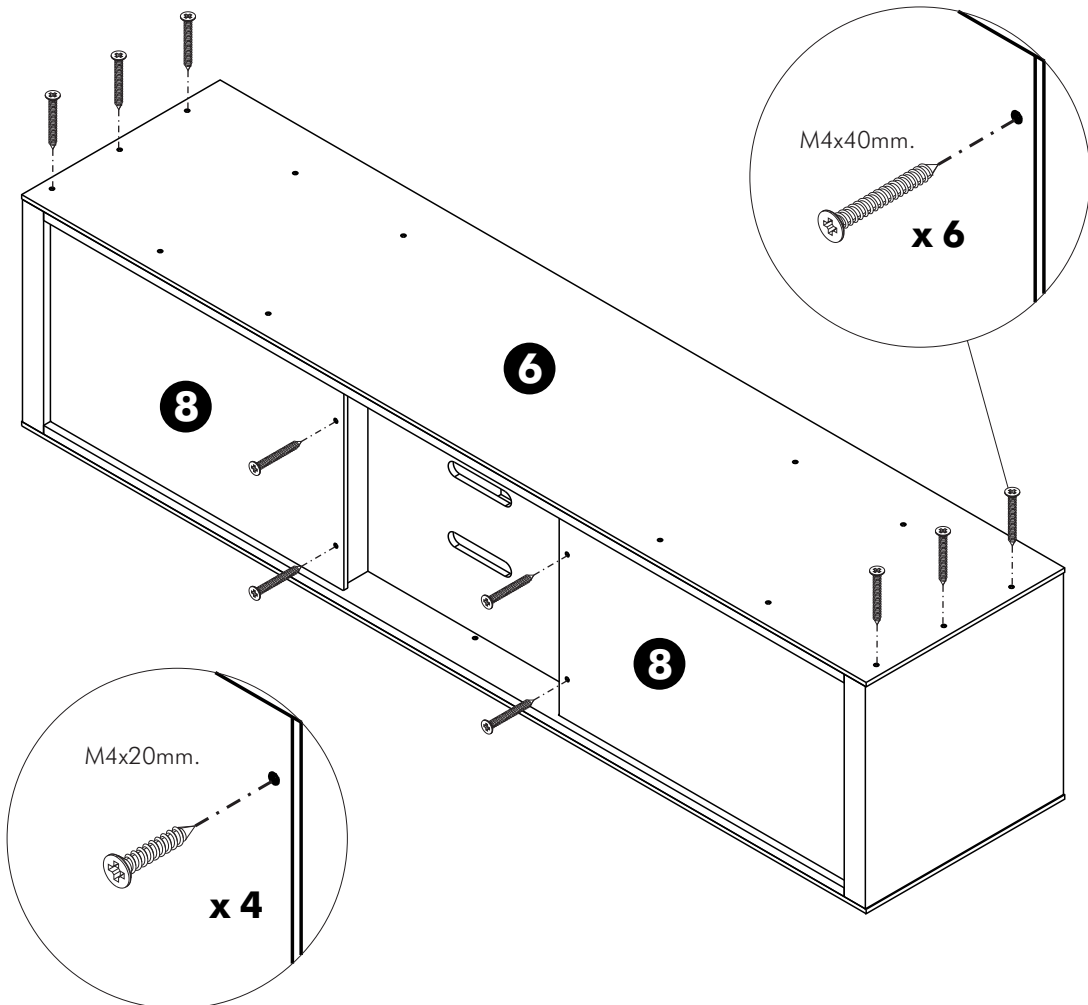
2.



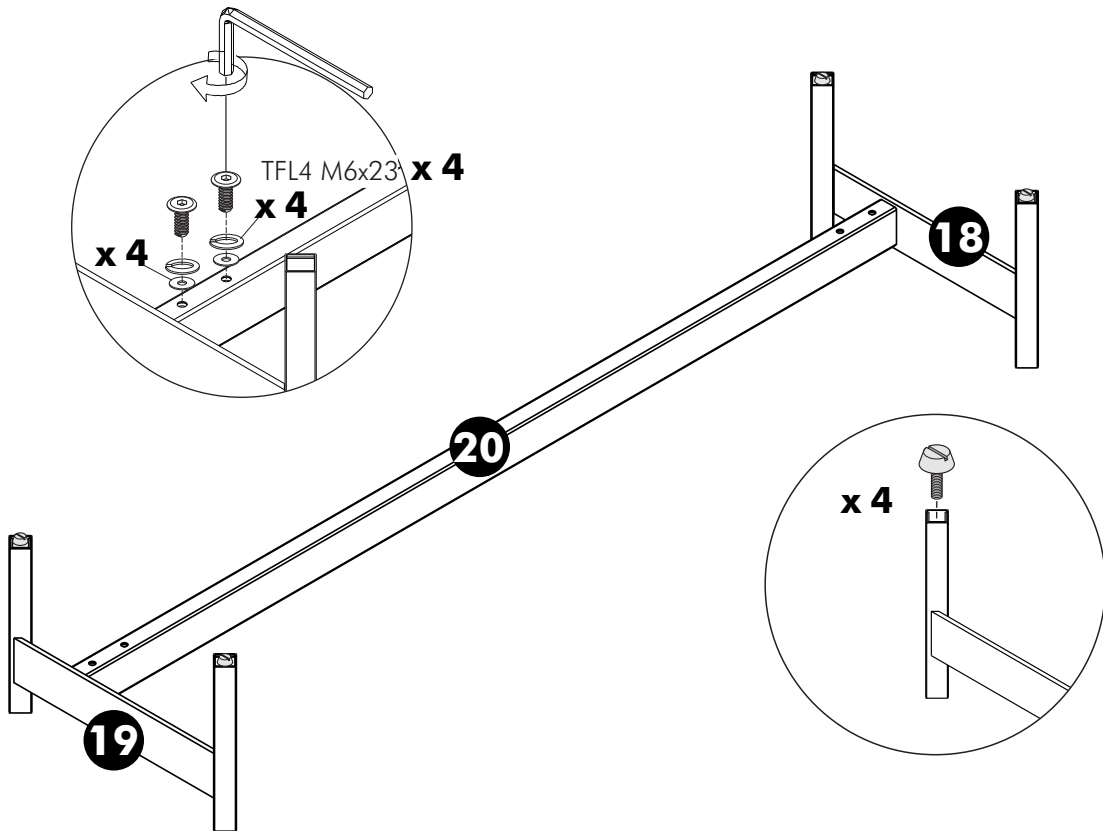
3.



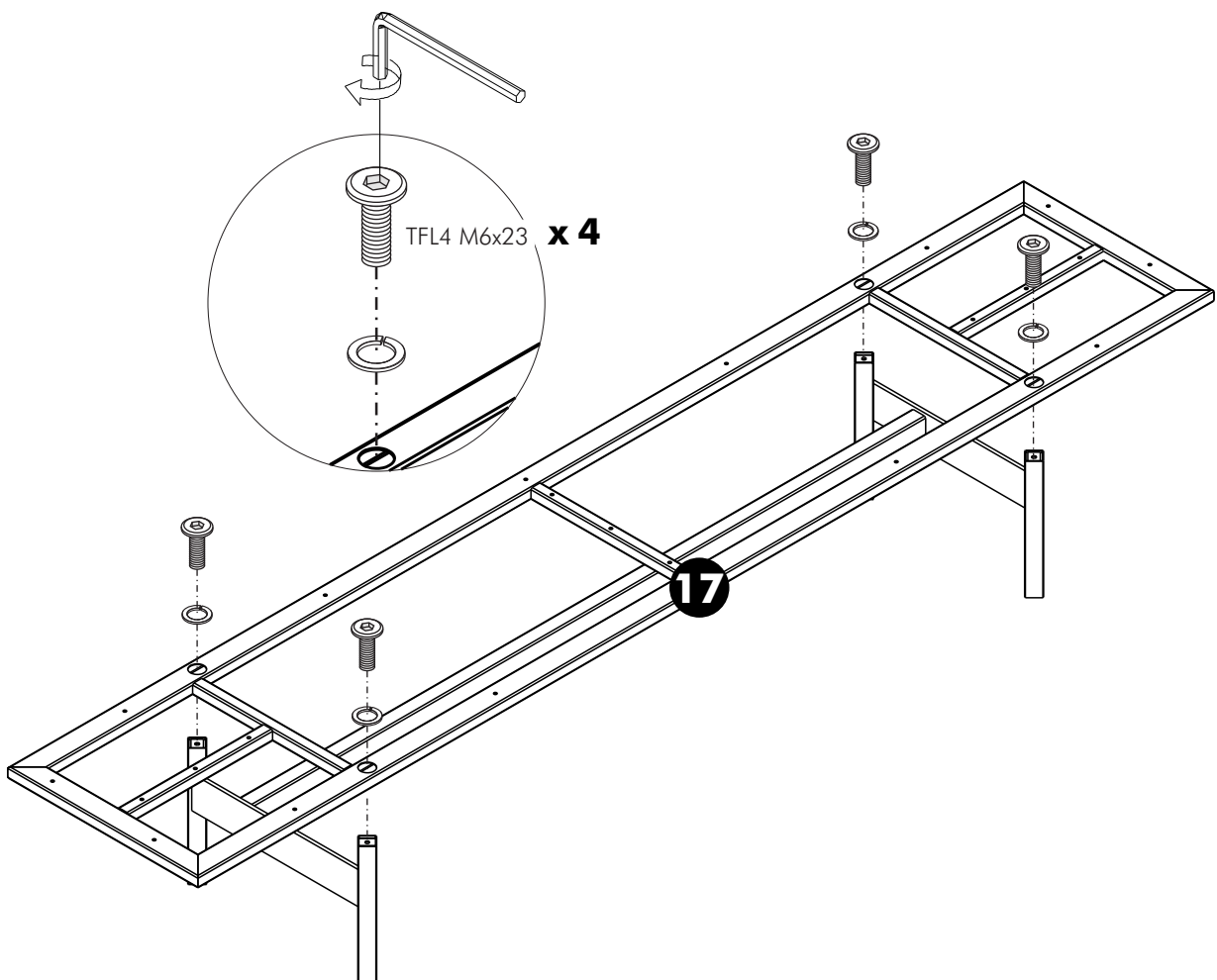
4.



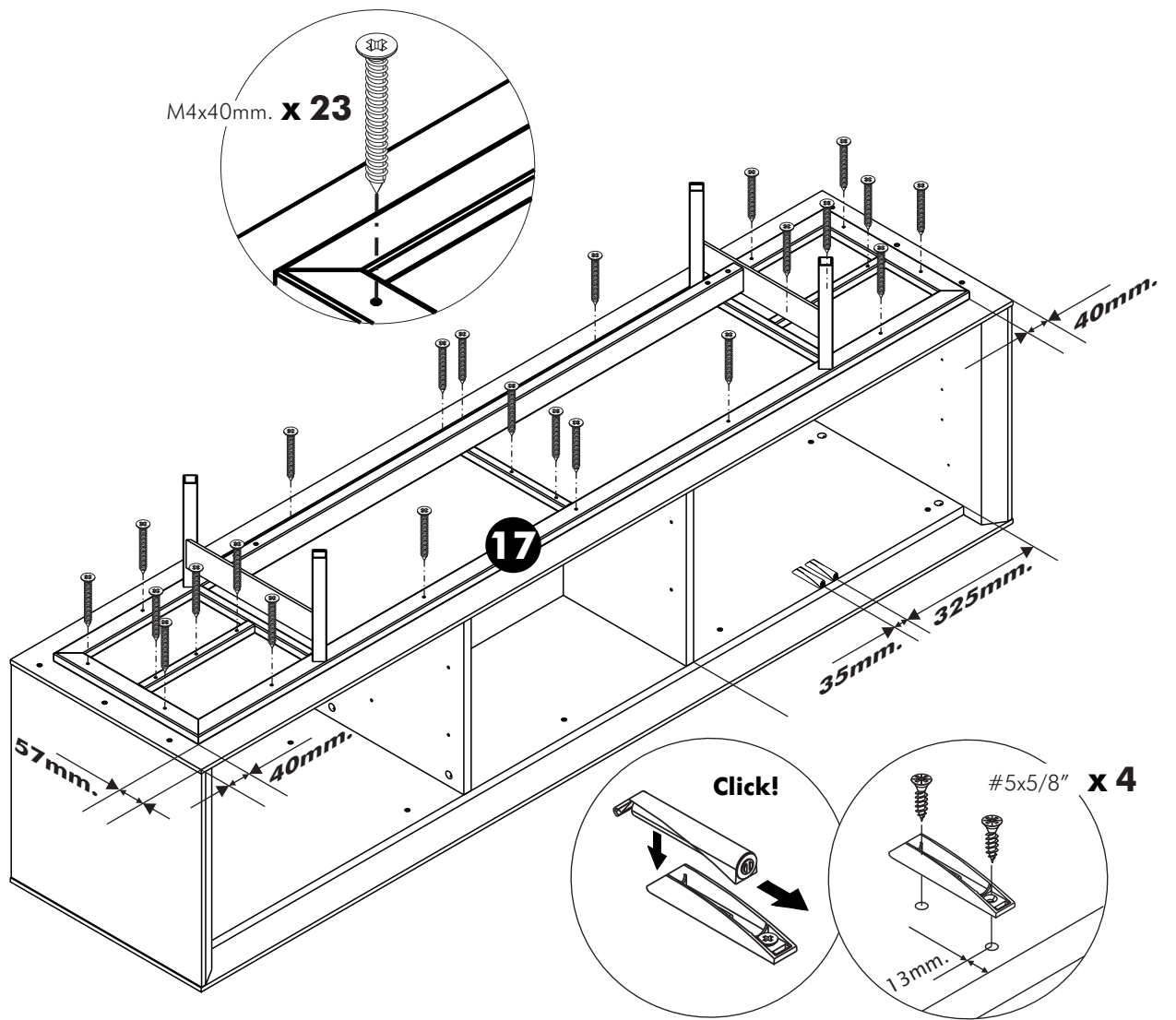
5.



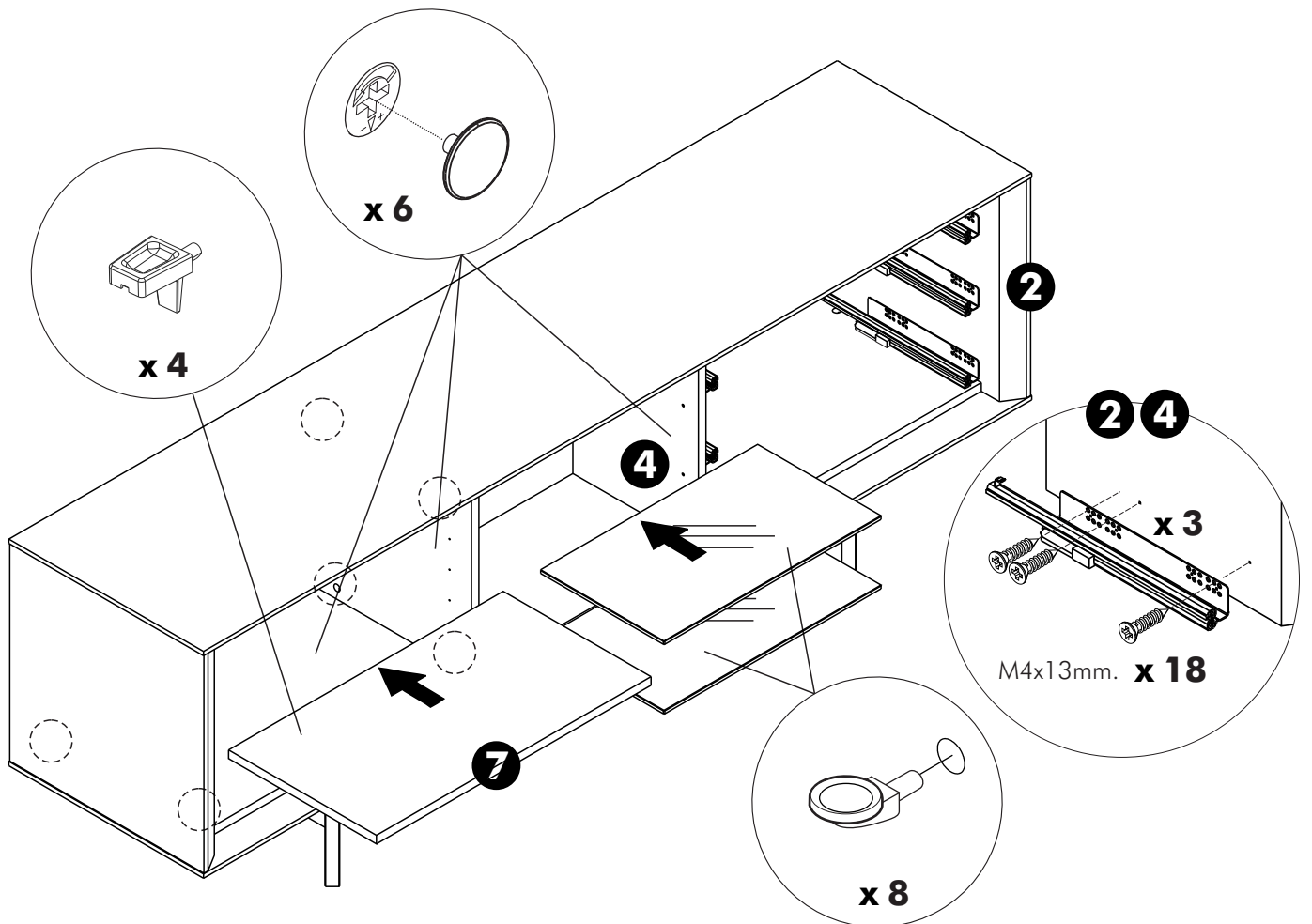
6.



7.



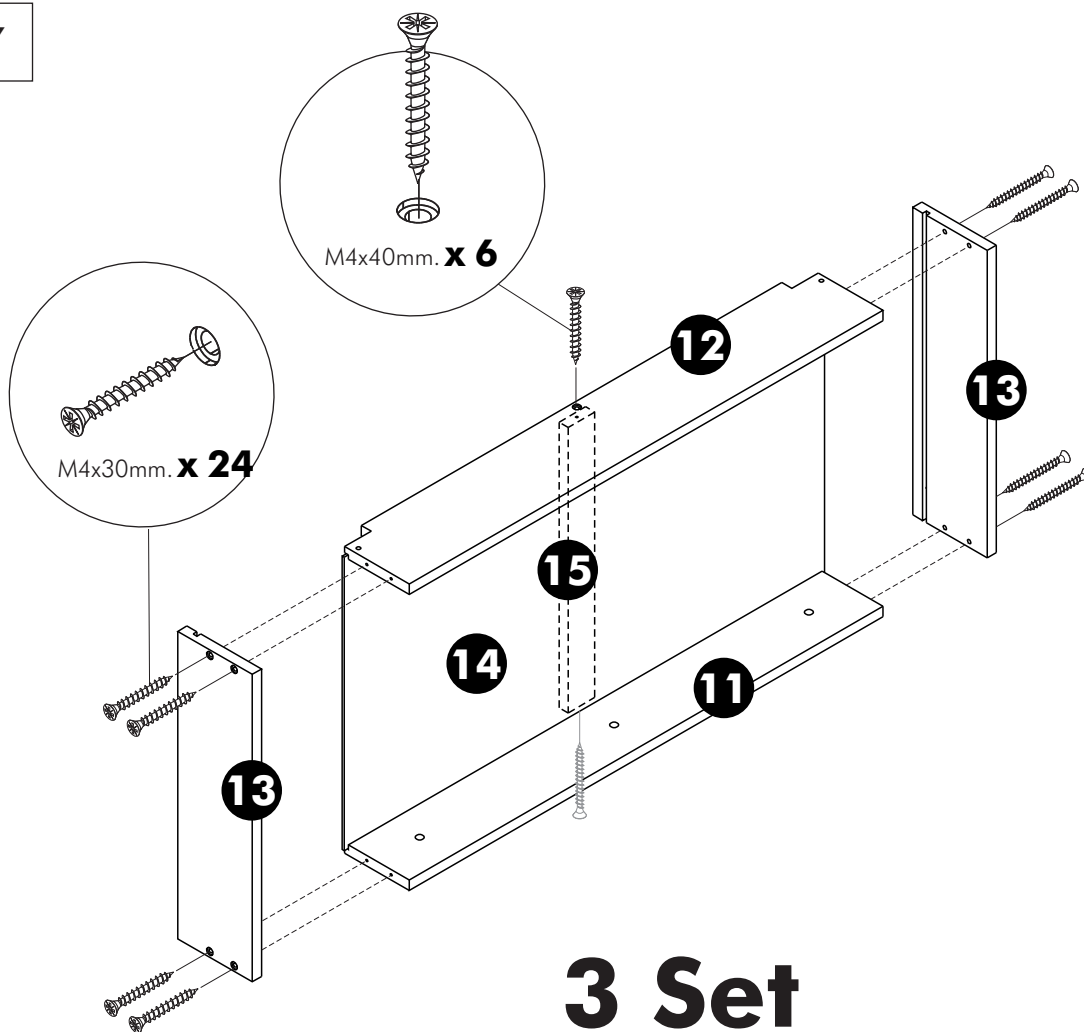
8.



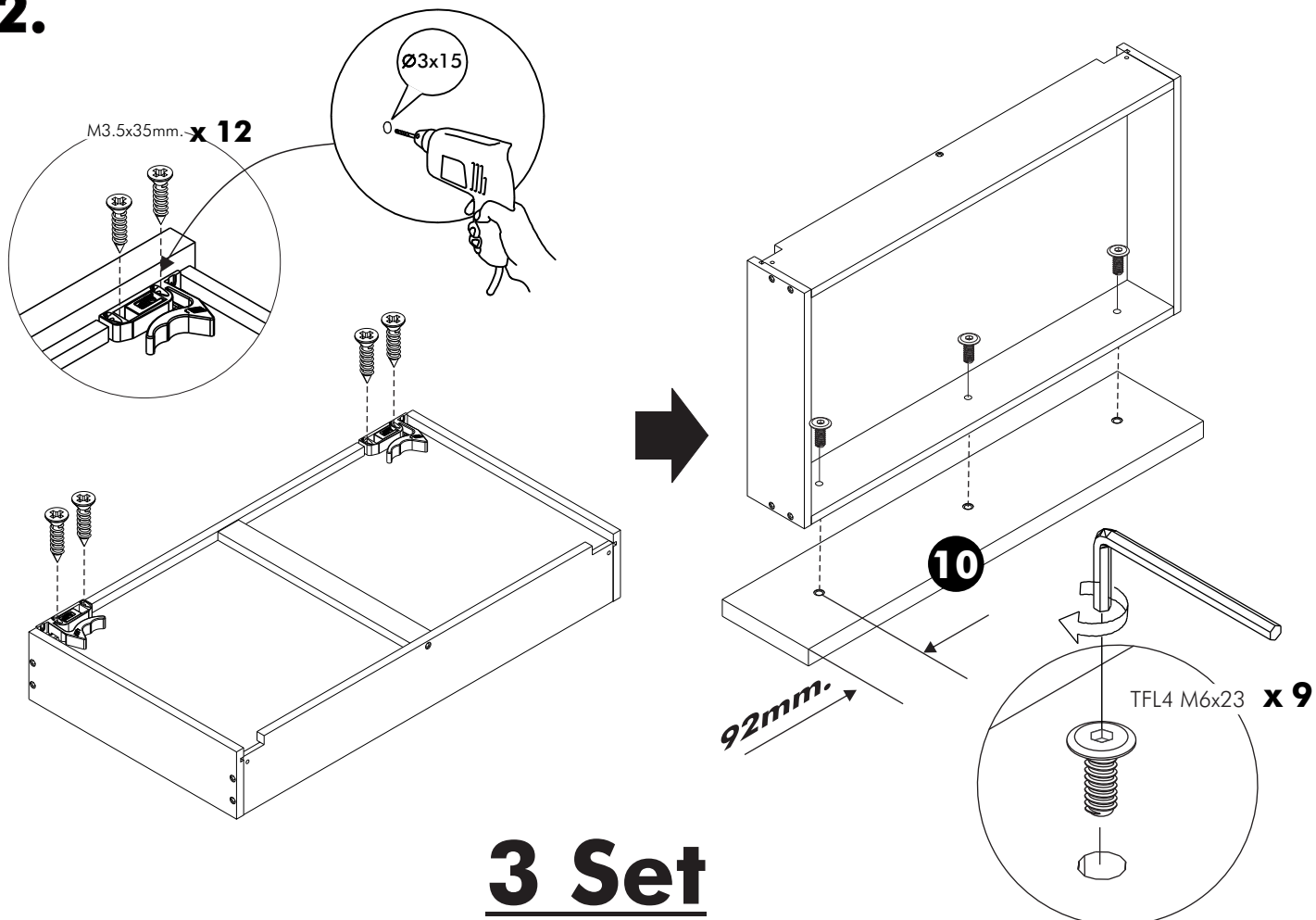
ASSEMBLY

-DRAWER SET

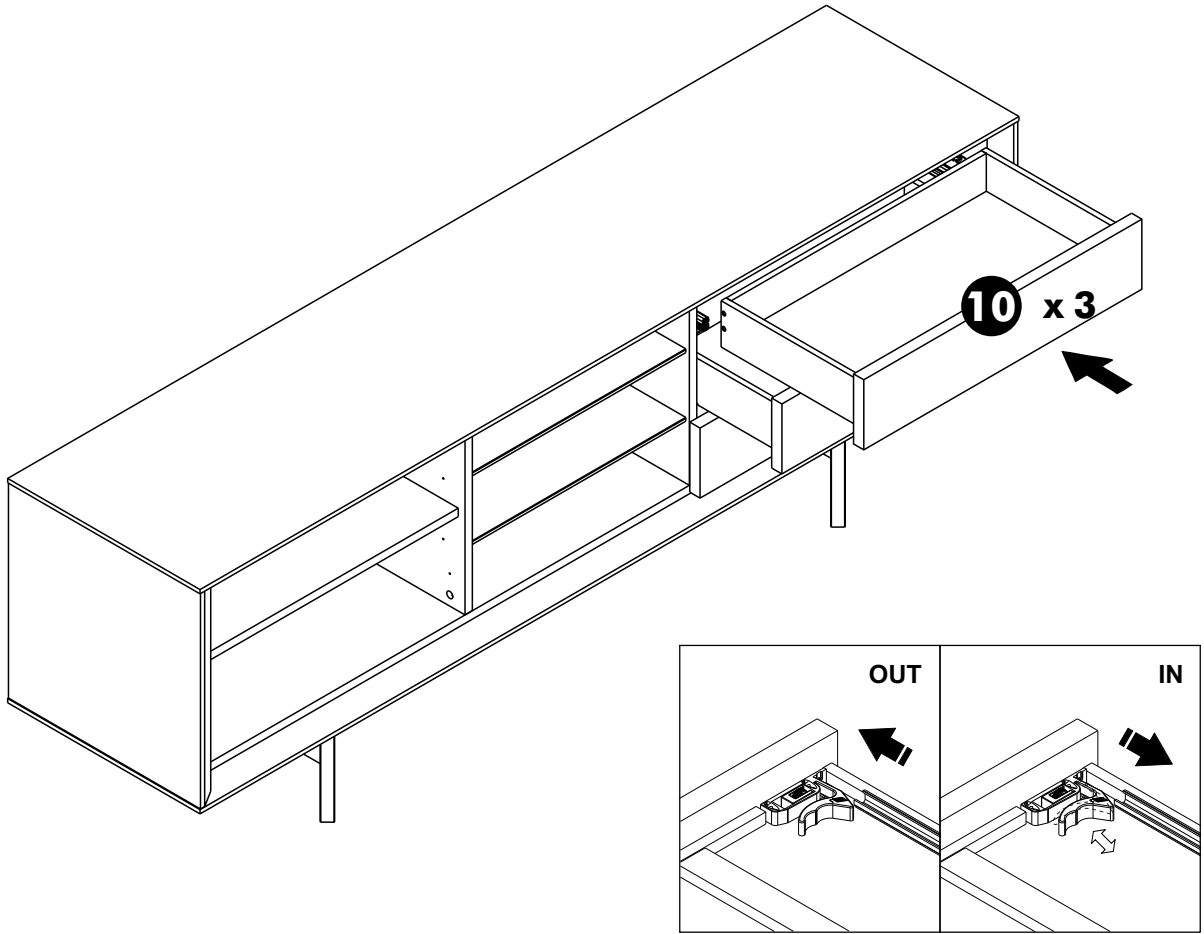
1.



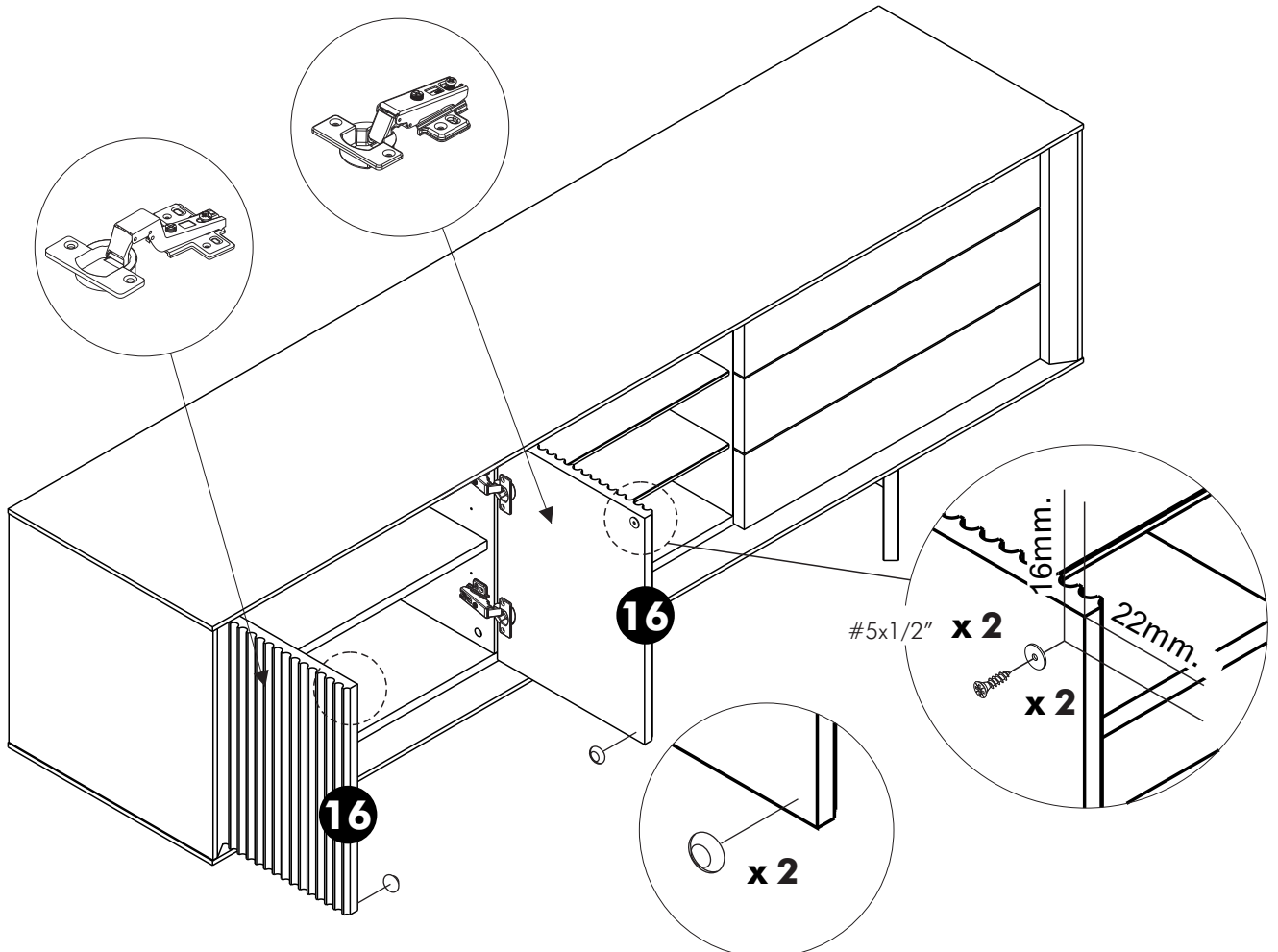
2.

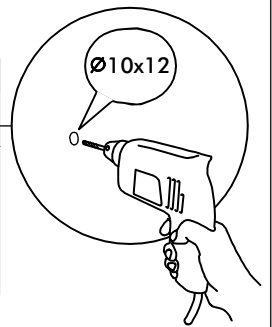
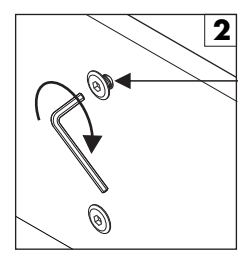
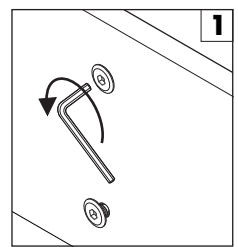
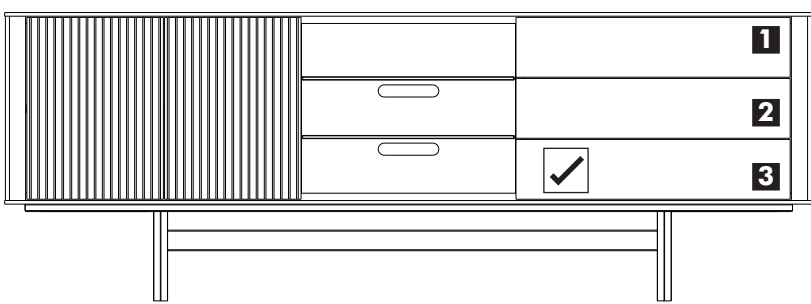
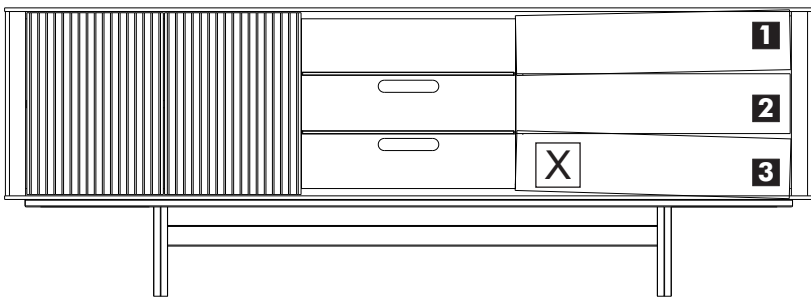


3.



4.





AFTER FINISHED ASSEMBLY.

INCASE OF GAP BETWEEN DRAWERS ARE NOT ALIGN.
PLEASE ADJUST AS BELOW.

1. LOOSE SCREW A LITTLE BIT.
2. THEN MOVE FRONT DRAWER TO ALINGNMENT POSITION.
3. TIGHTEN SCREW

