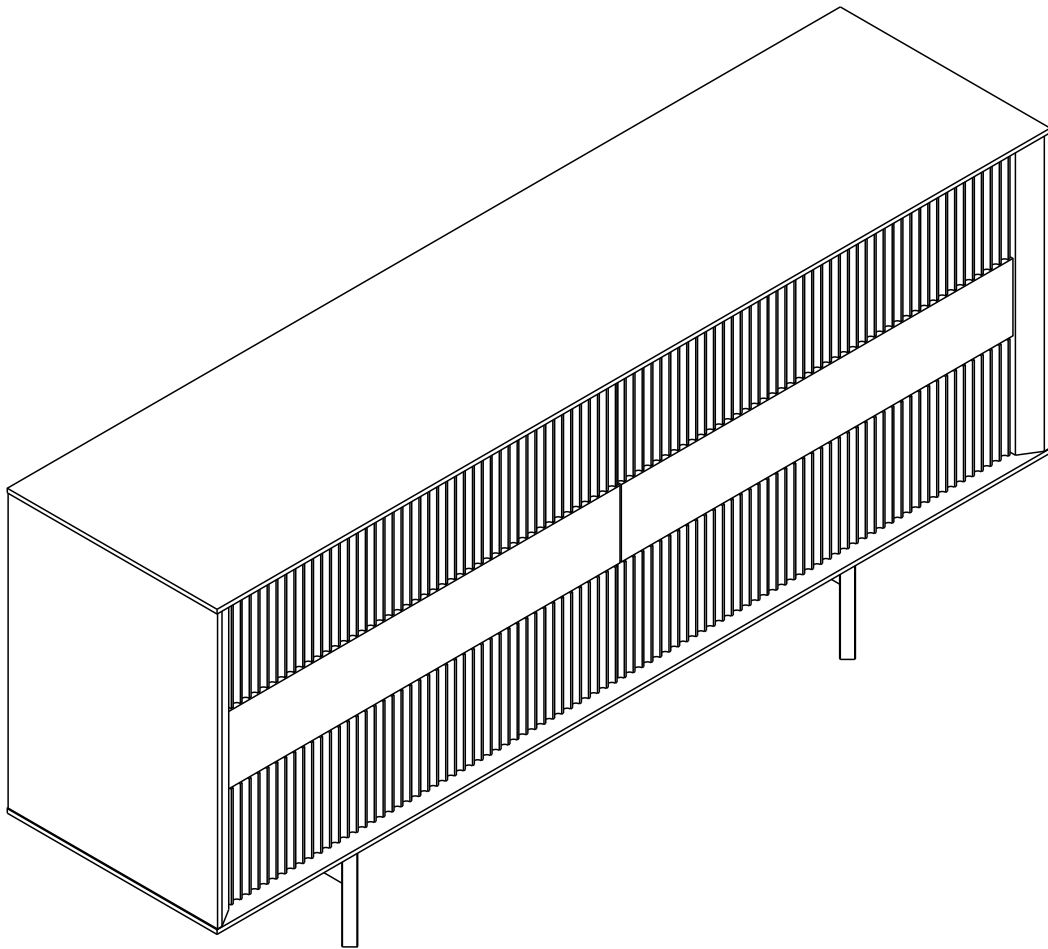
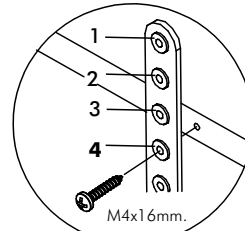
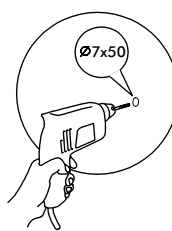
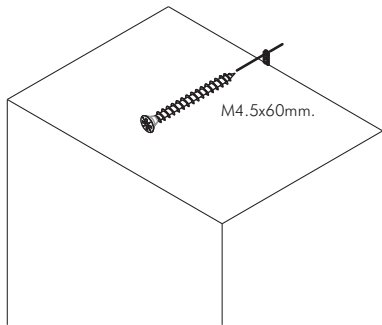
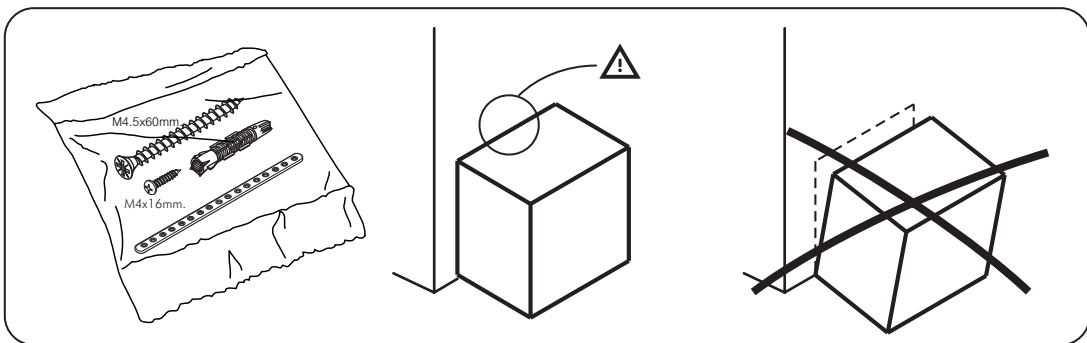
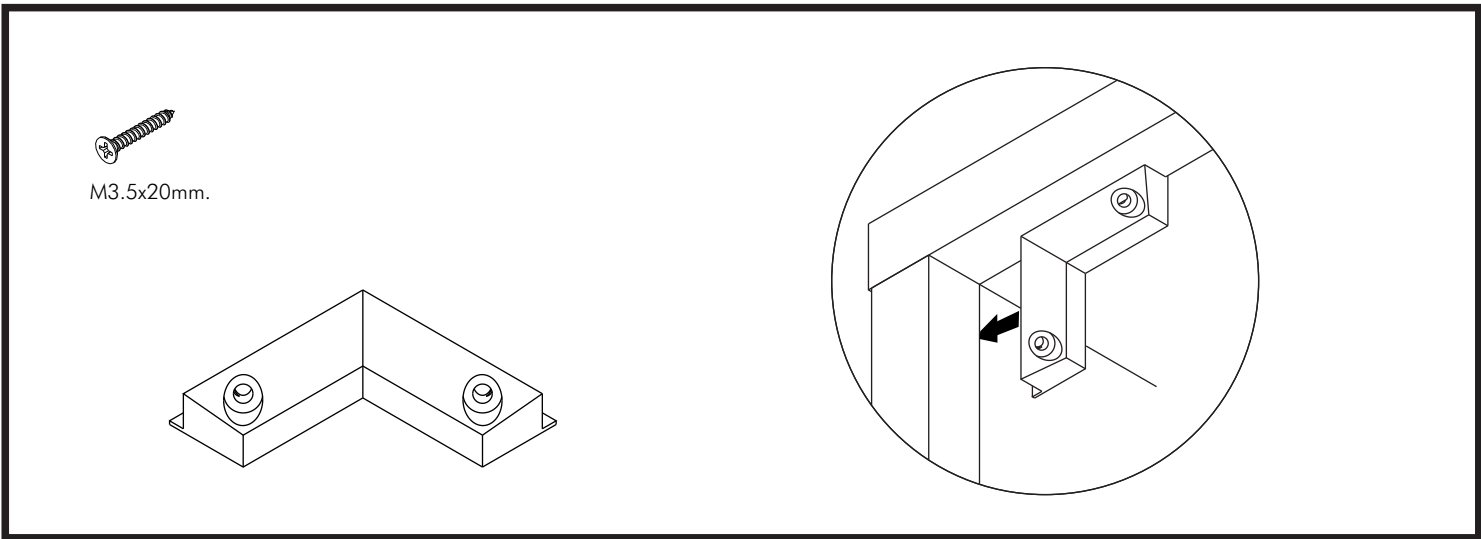
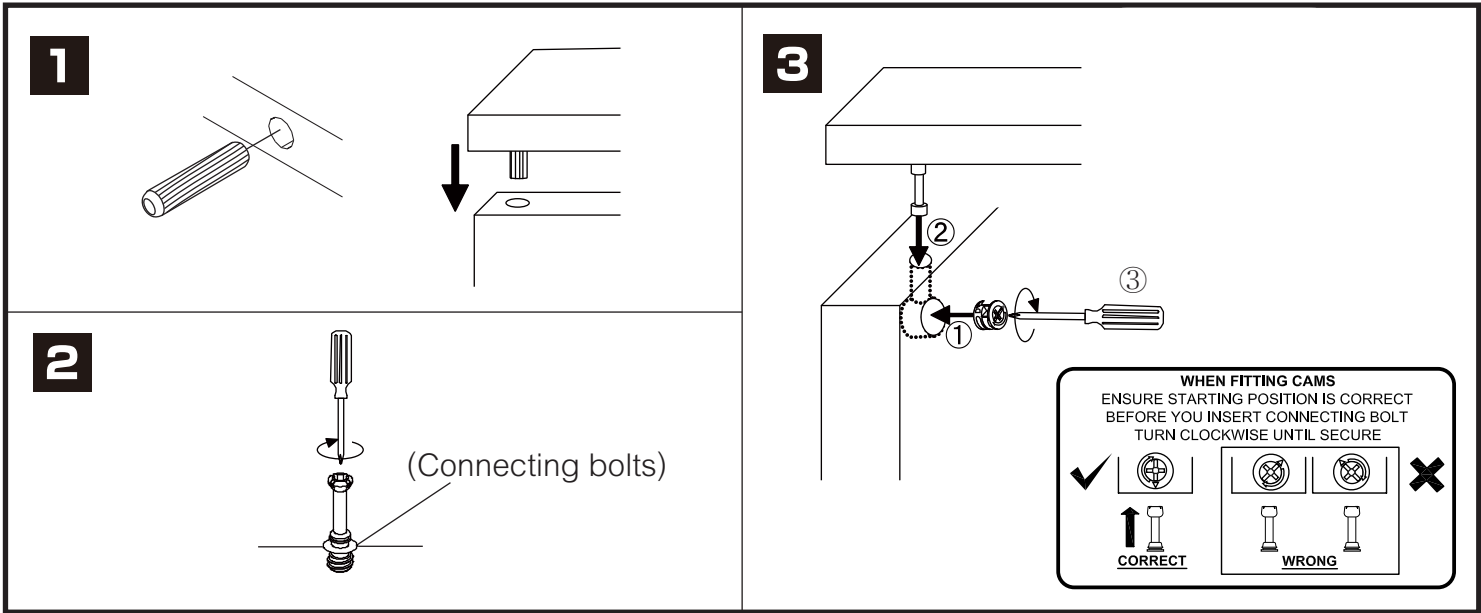


FLOVIN

DOUBLE CHEST 187 CM.



CONNECT SYSTEM



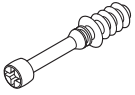
ควรยึดเฟอร์นิเจอร์เข้ากับผนังด้วยอุปกรณ์ยึดเพื่อความปลอดภัย
 ตามความเหมาะสมการใช้งานจริงของสินค้า

The furniture should be attached to the wall with safety fasteners.

As appropriate, the actual use of the product.

HARDWARE

-BODY SET

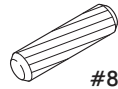


x 12



19mm.

x 12



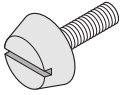
#8x35

x 12



#M6

x 8

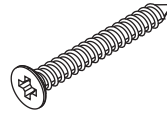


x 4



TFL4 M6x23

x 8



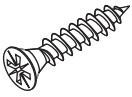
M4x40mm.

x 29



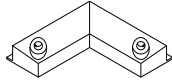
M4x13mm.

x 8



M4x30mm.

x 6

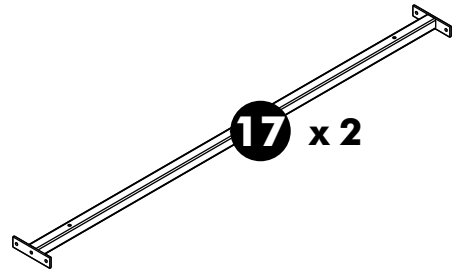


x 8

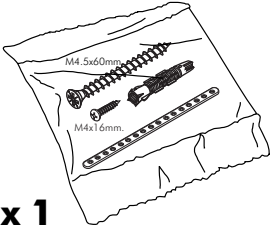


M3.5x20mm.

x 16



17 x 2



M4.5x60mm

M4x16mm

x 1



#M6

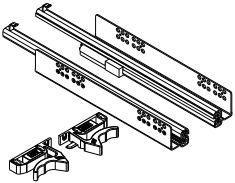
x 4



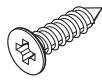
#M6x16

x 8

-DRAWER SET



x 6



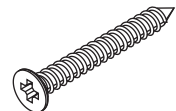
M4x13mm.

x 36



TFL4 M6x23

x 30



M4x40mm.

x 24

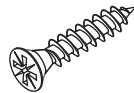


M3.5x35mm.

x 24



x 1



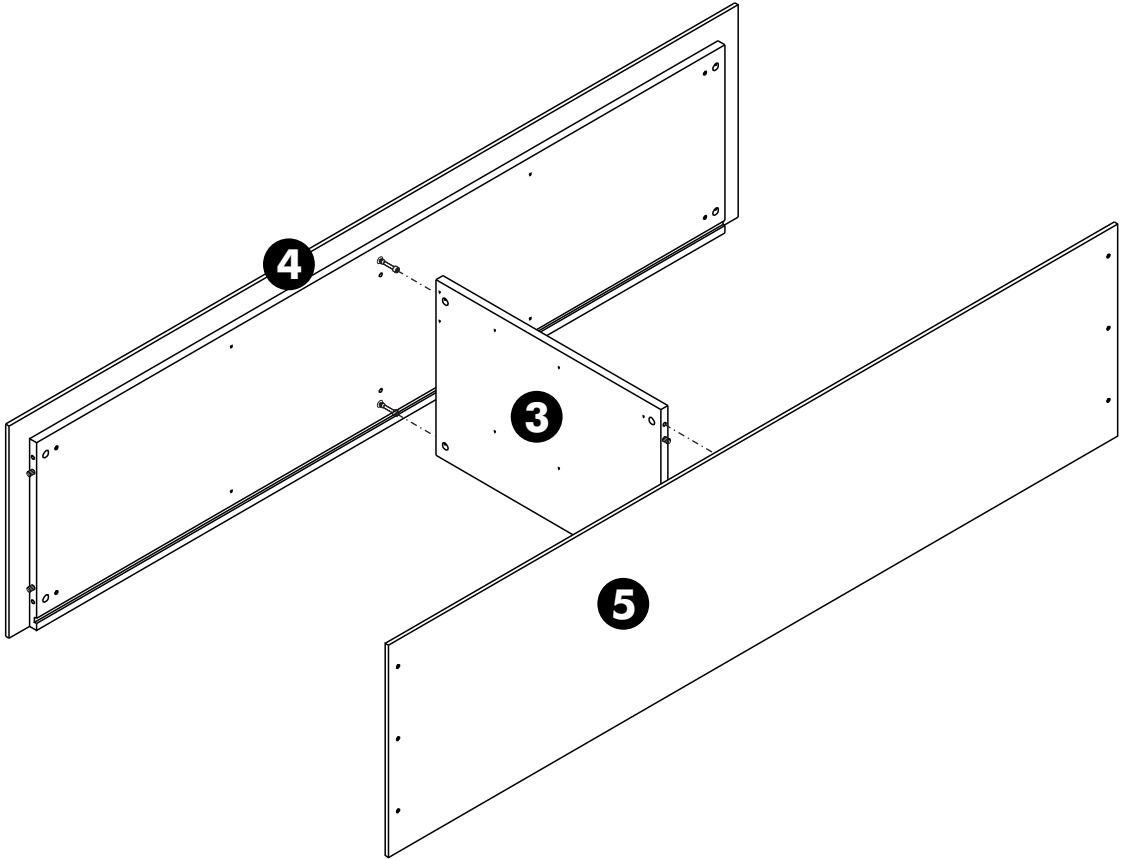
M4x30mm.

x 48

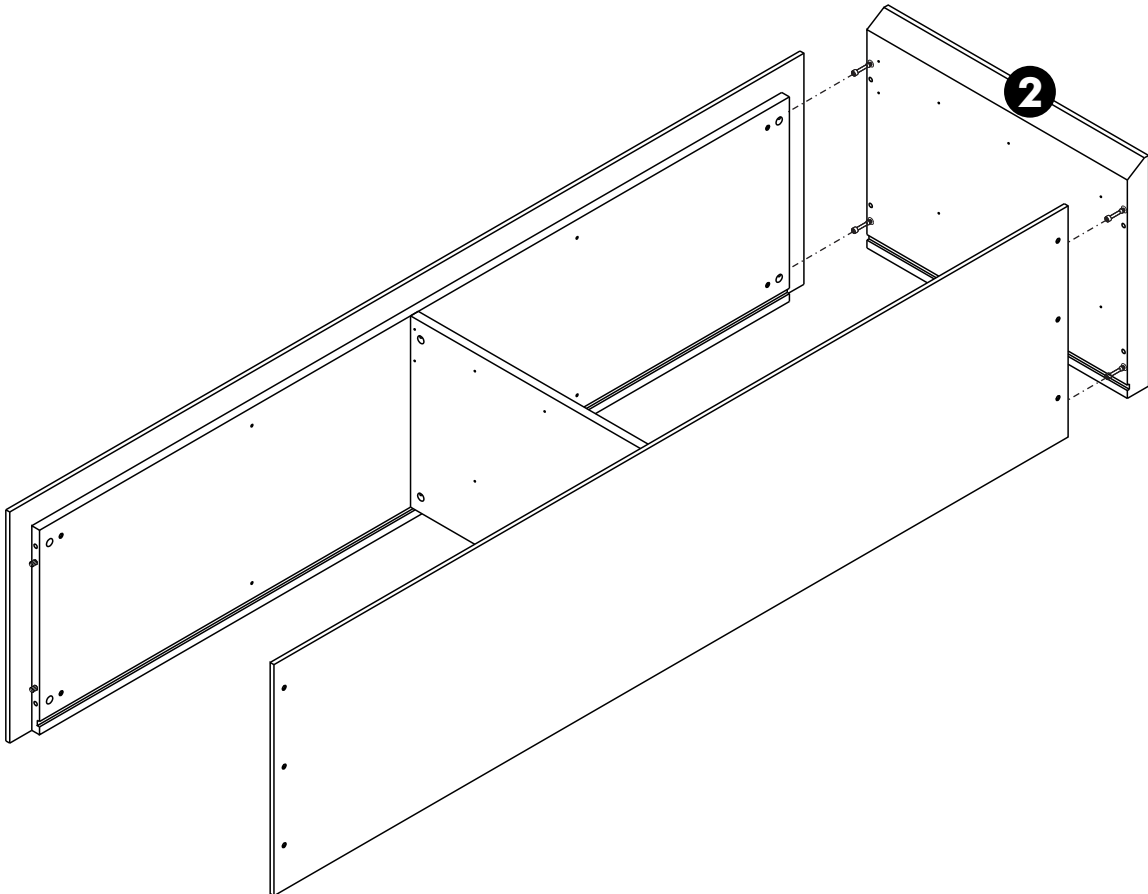
ASSEMBLY

-BODY SET

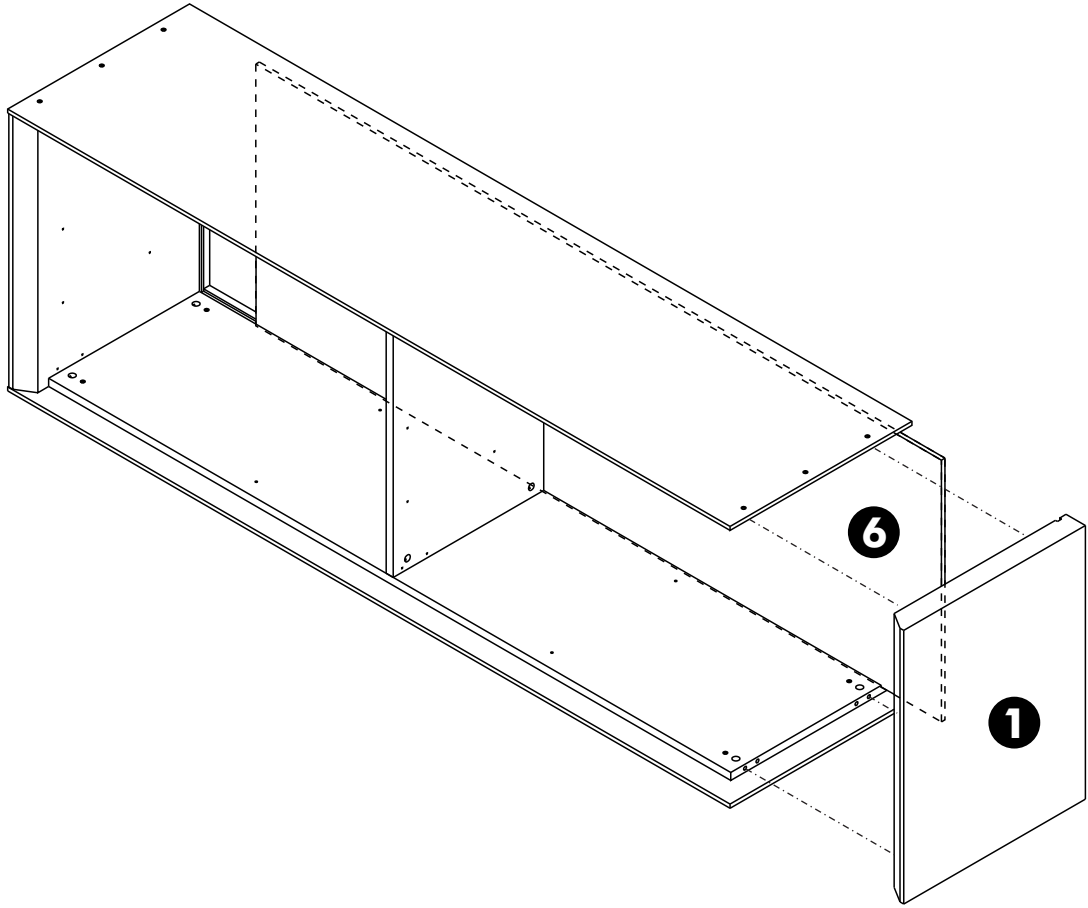
1.



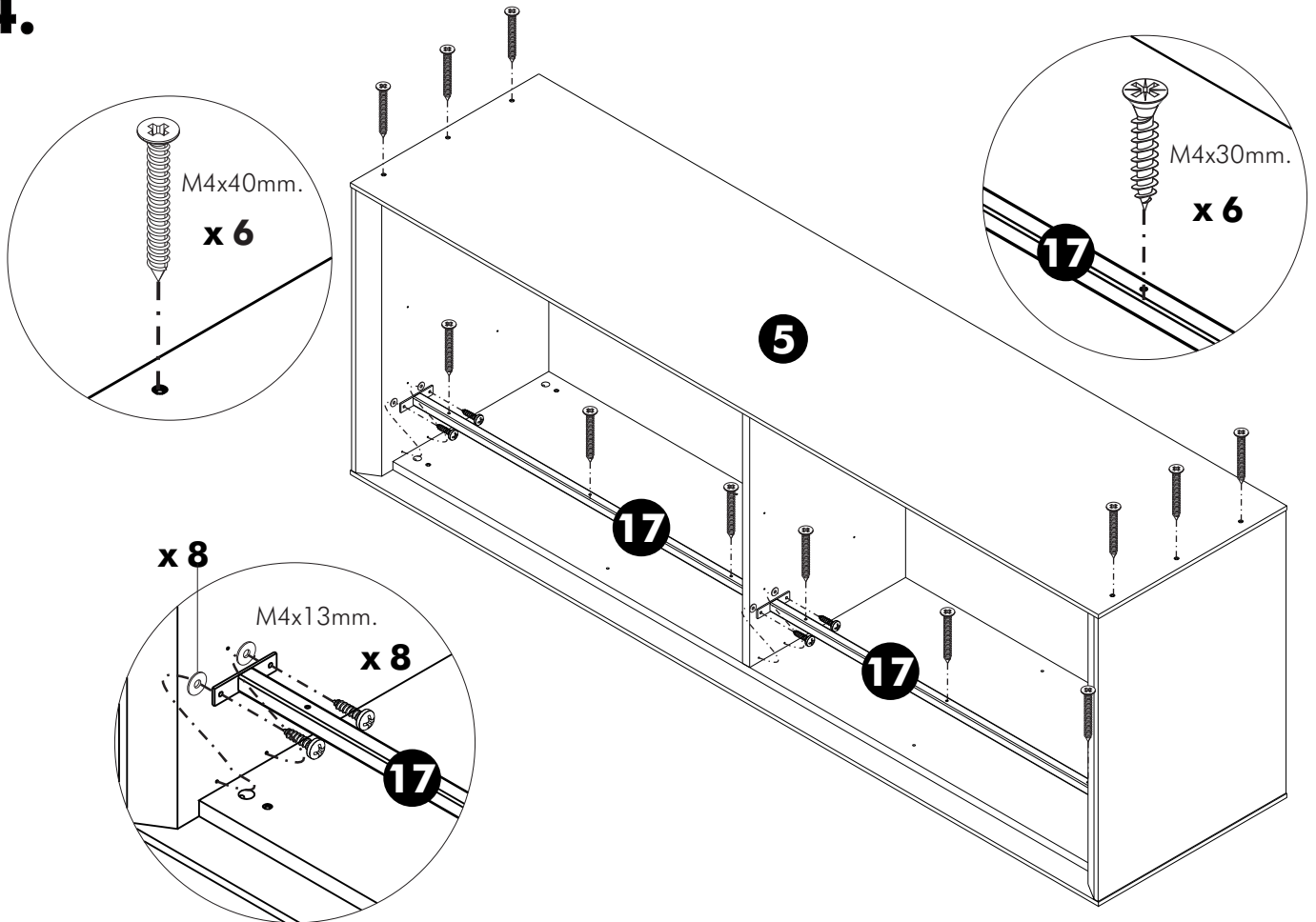
2.



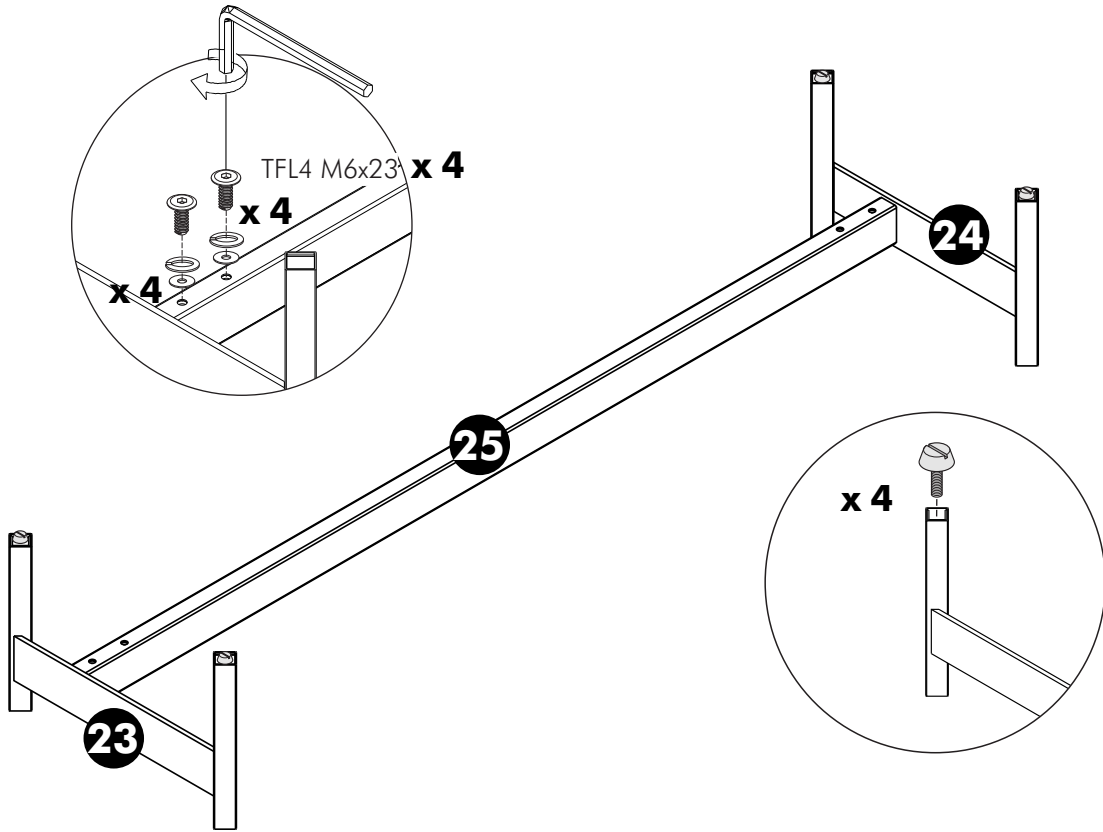
3.



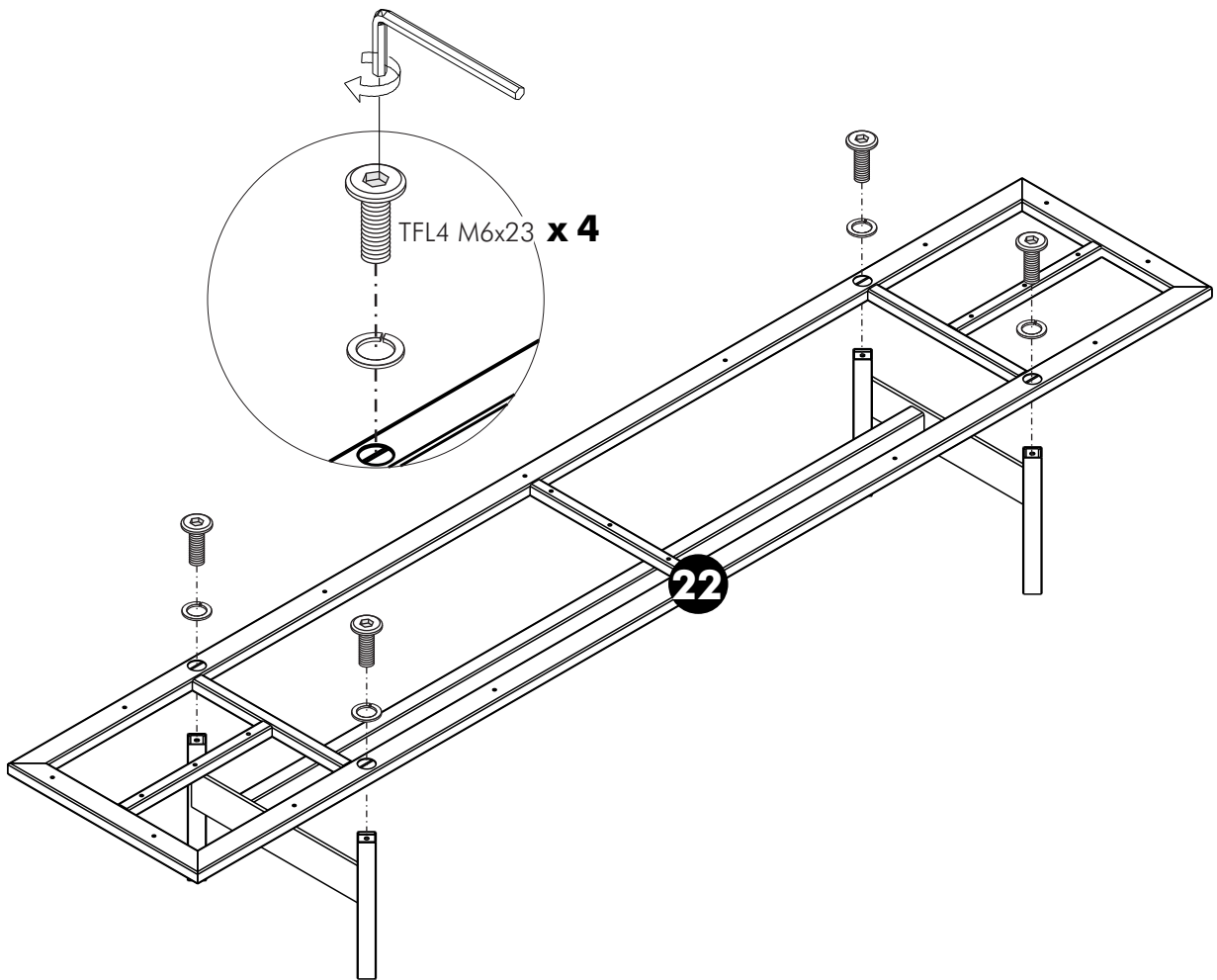
4.



5.

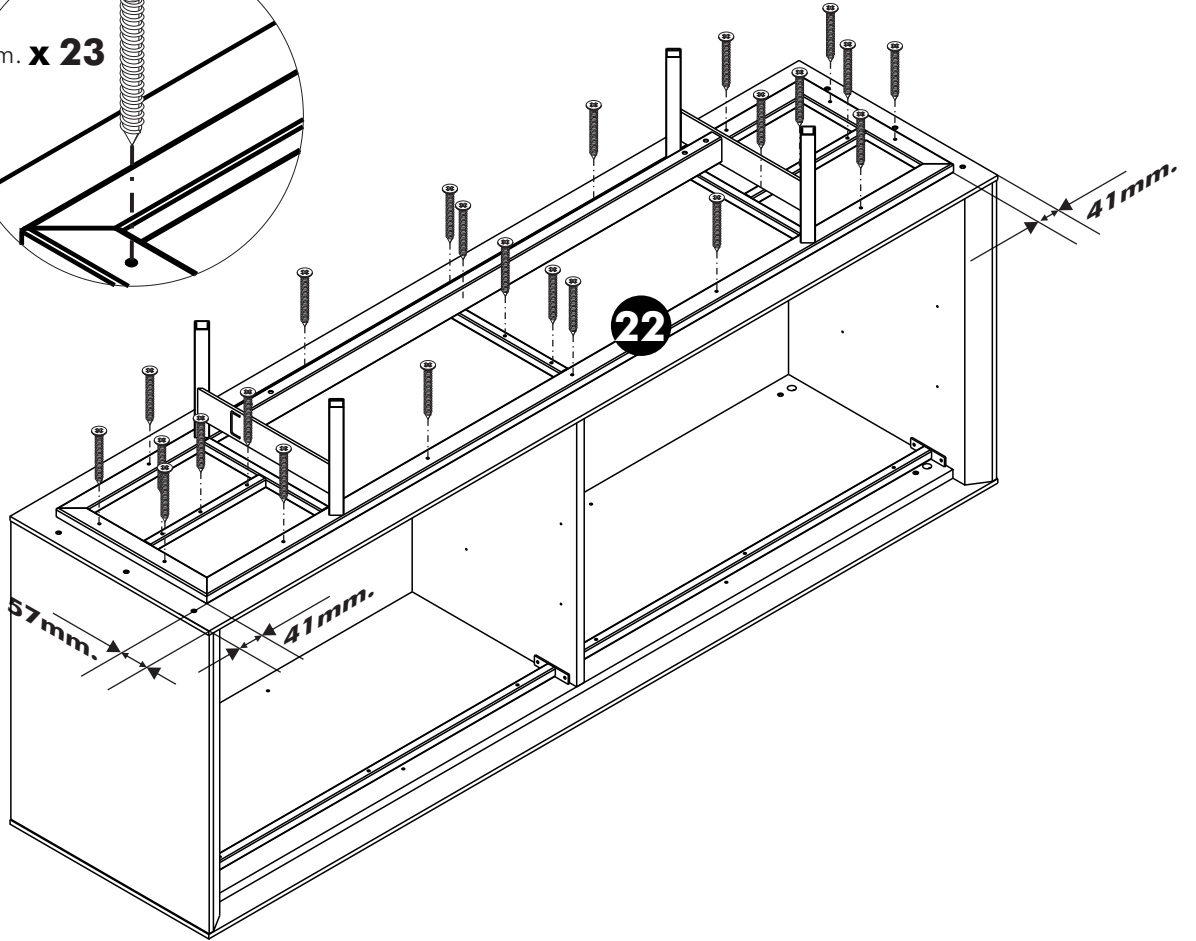
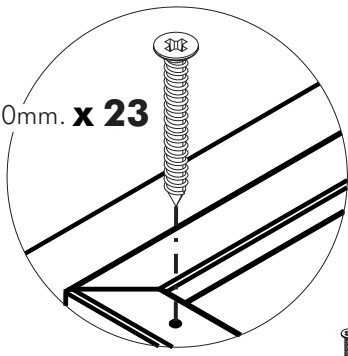


6.

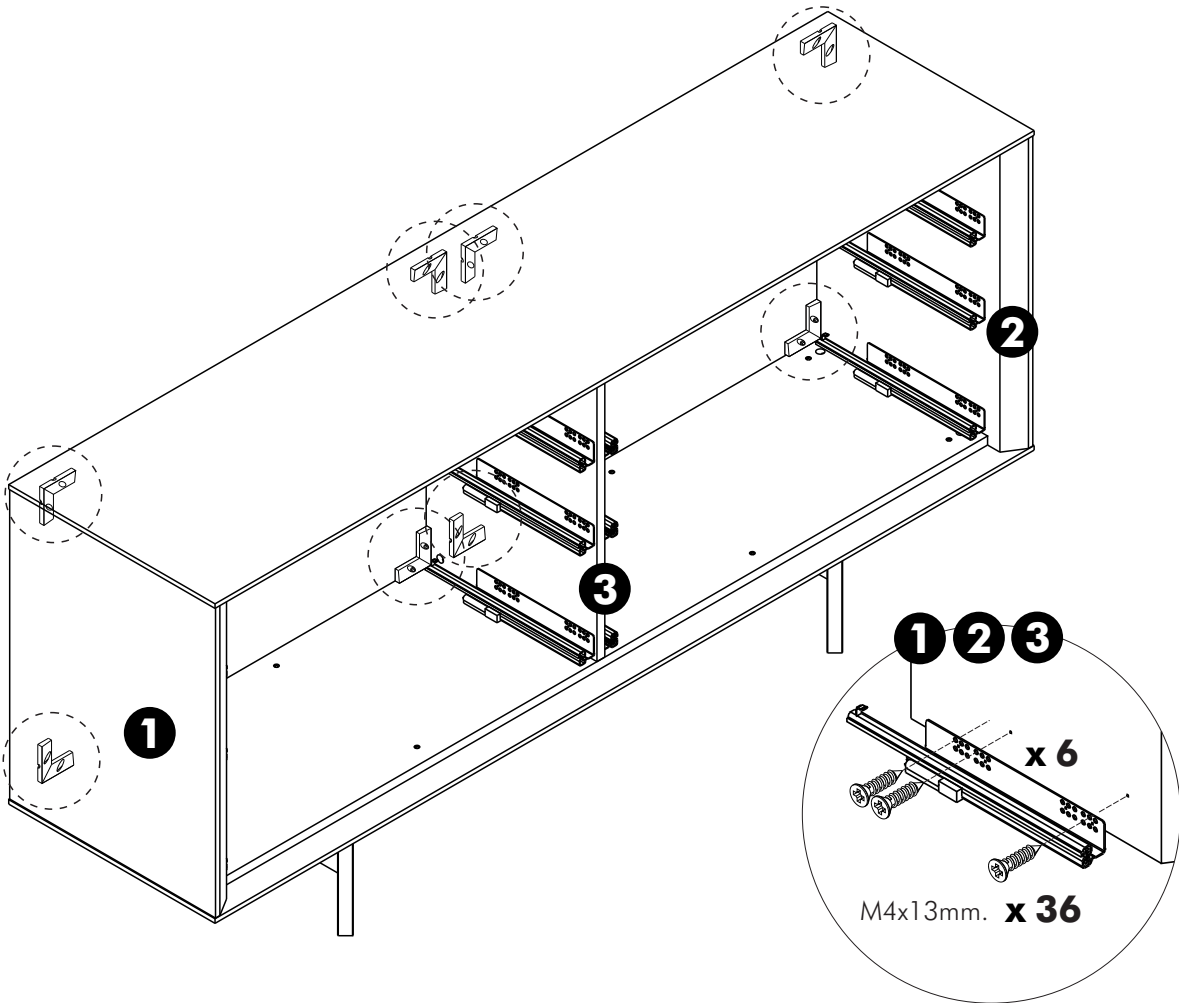


7.

M4x40mm. **x 23**



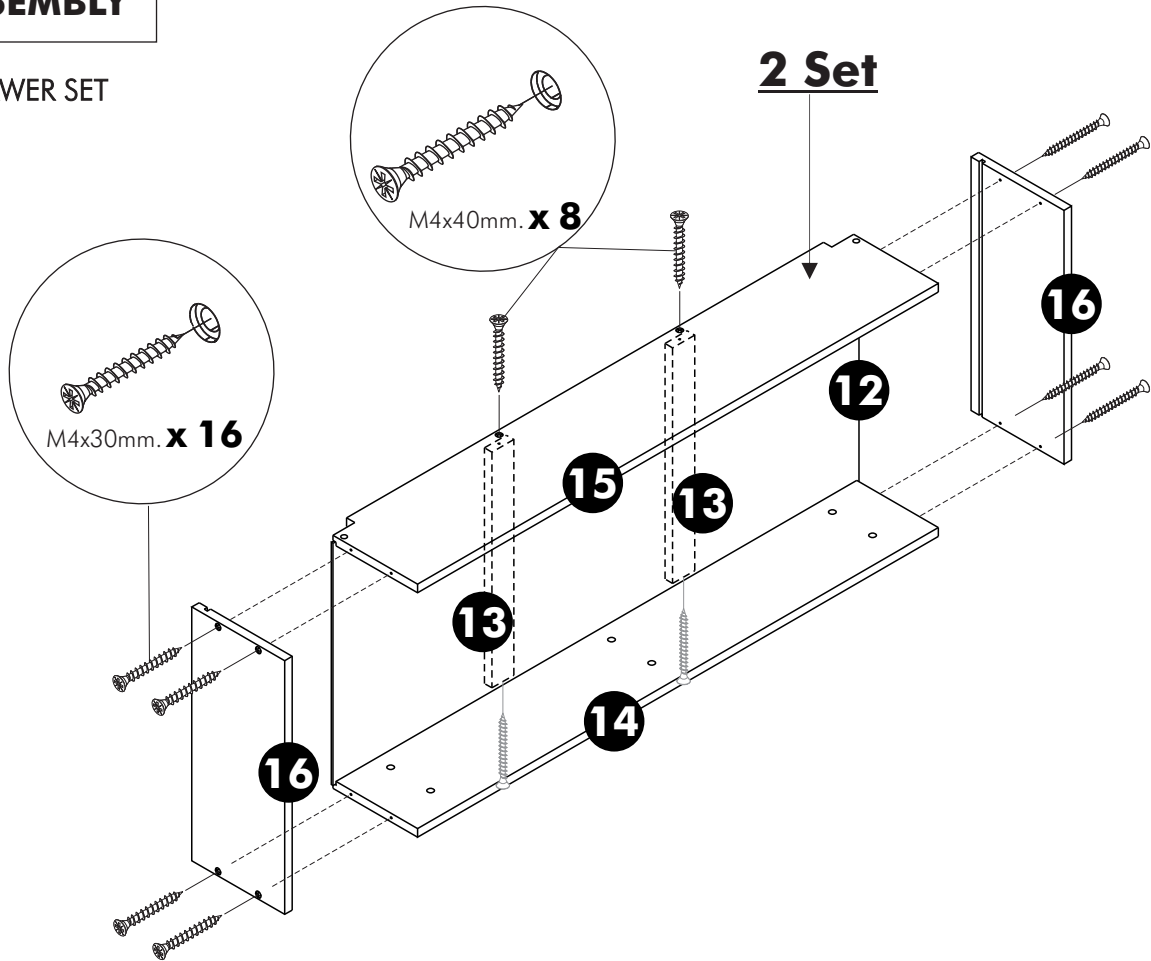
8.



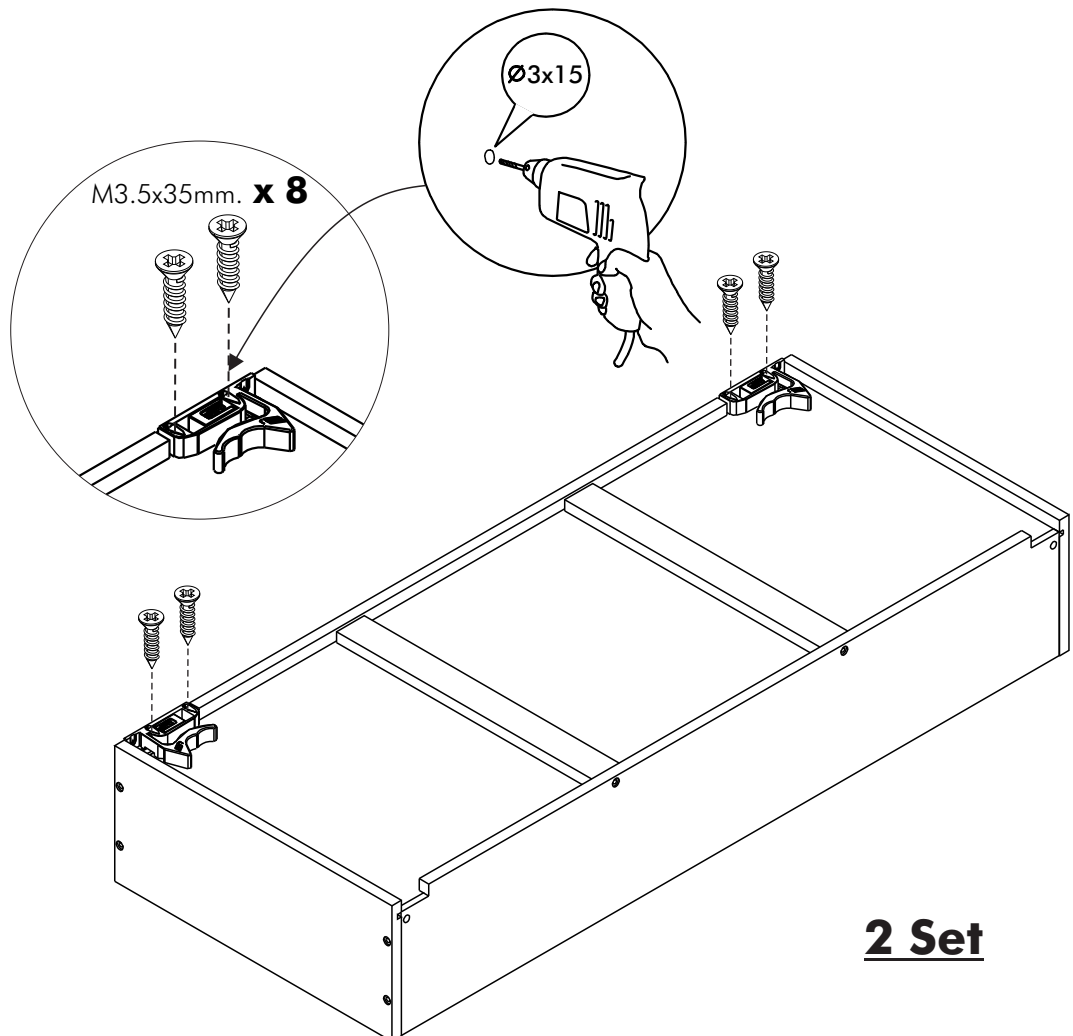
ASSEMBLY

-DRAWER SET

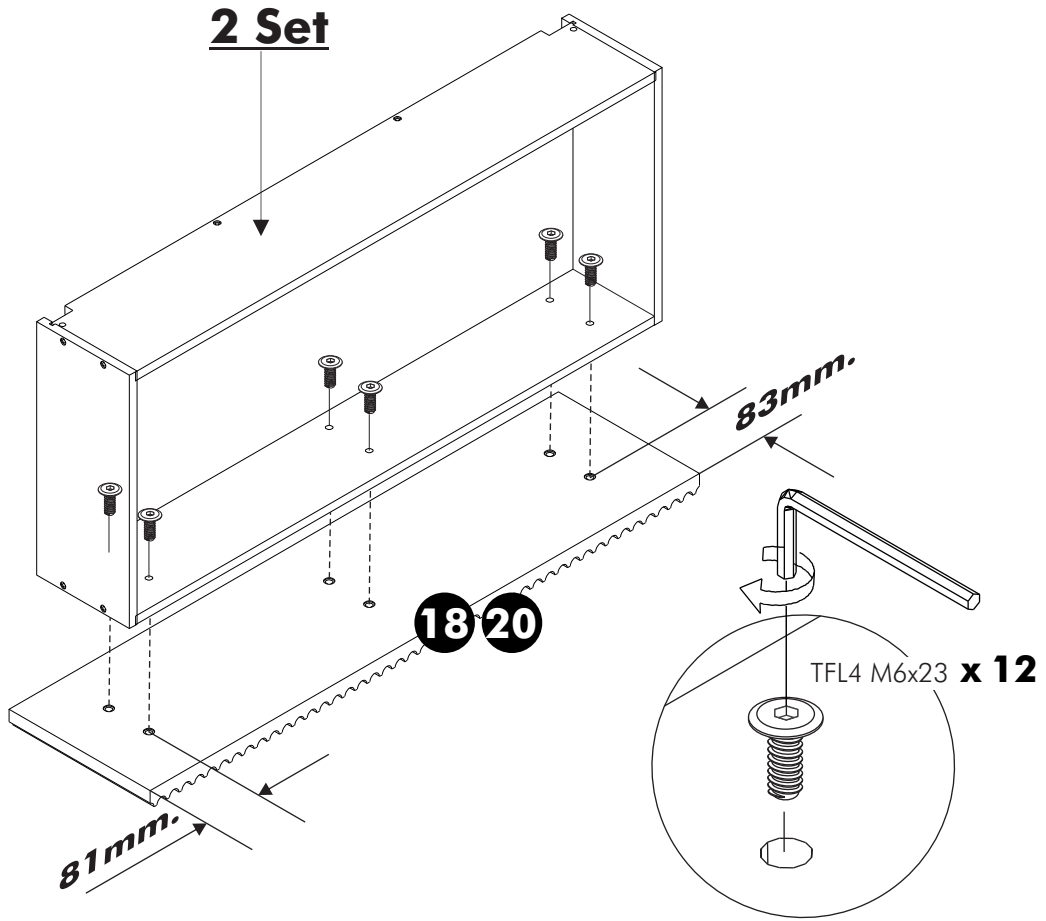
1.



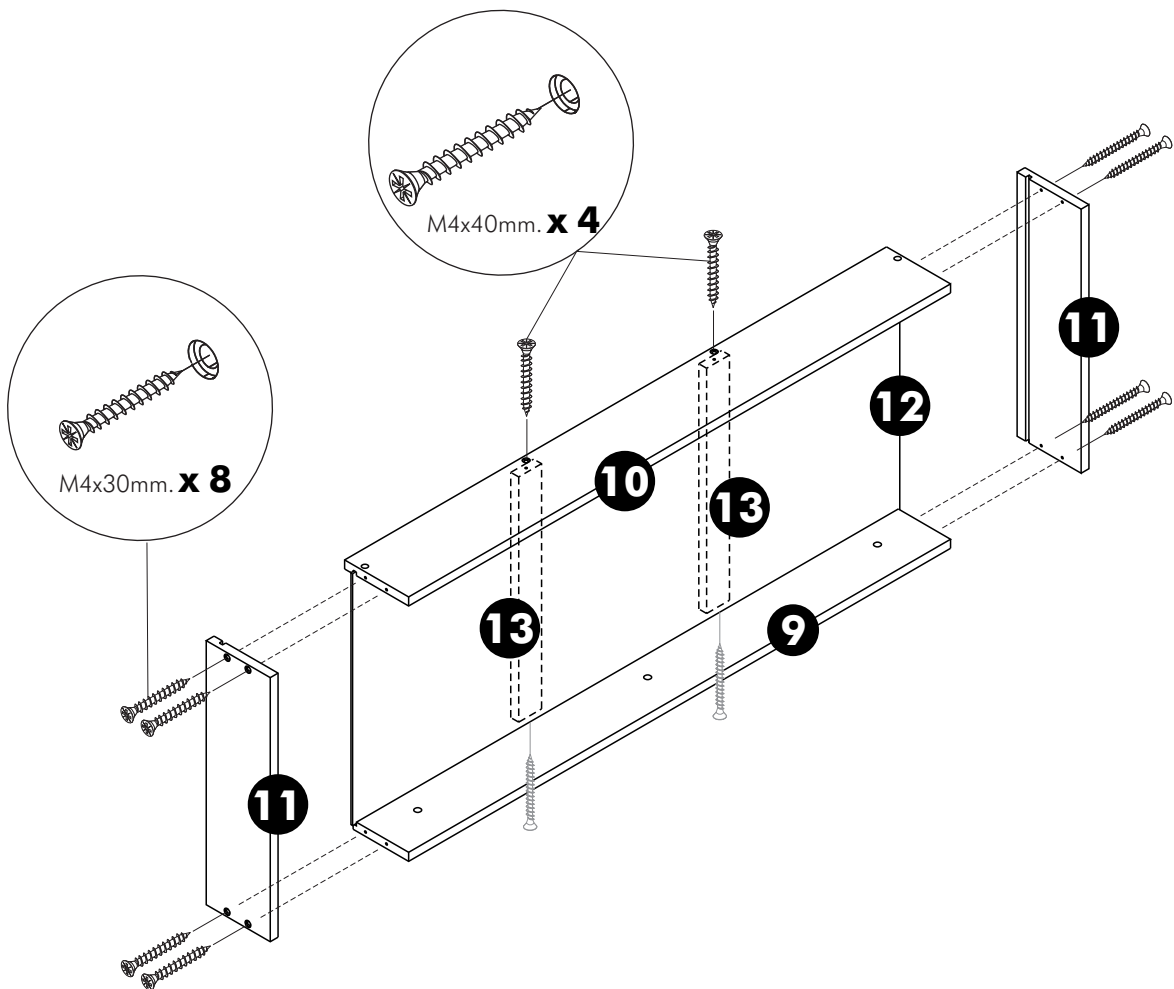
2.



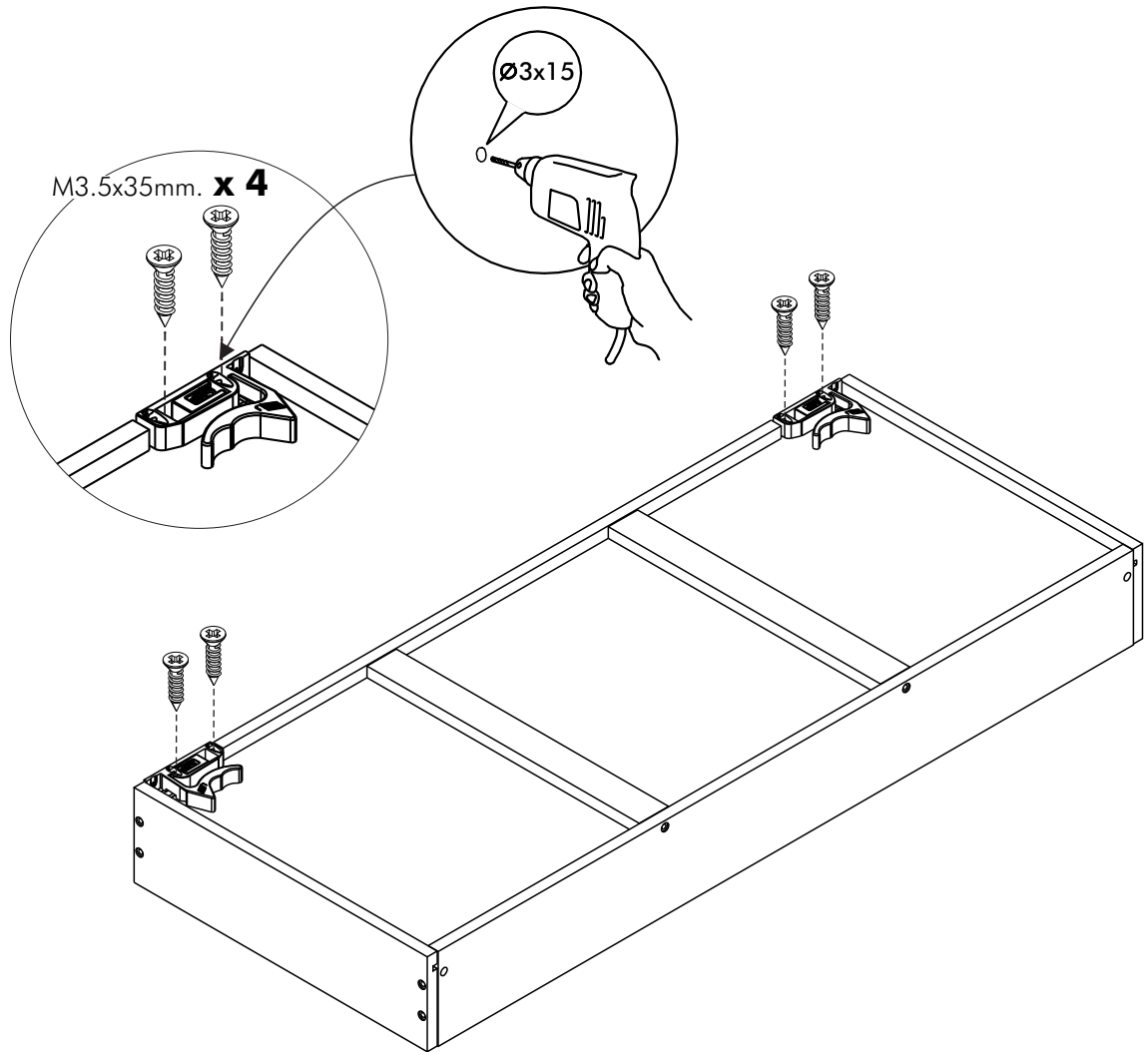
3.



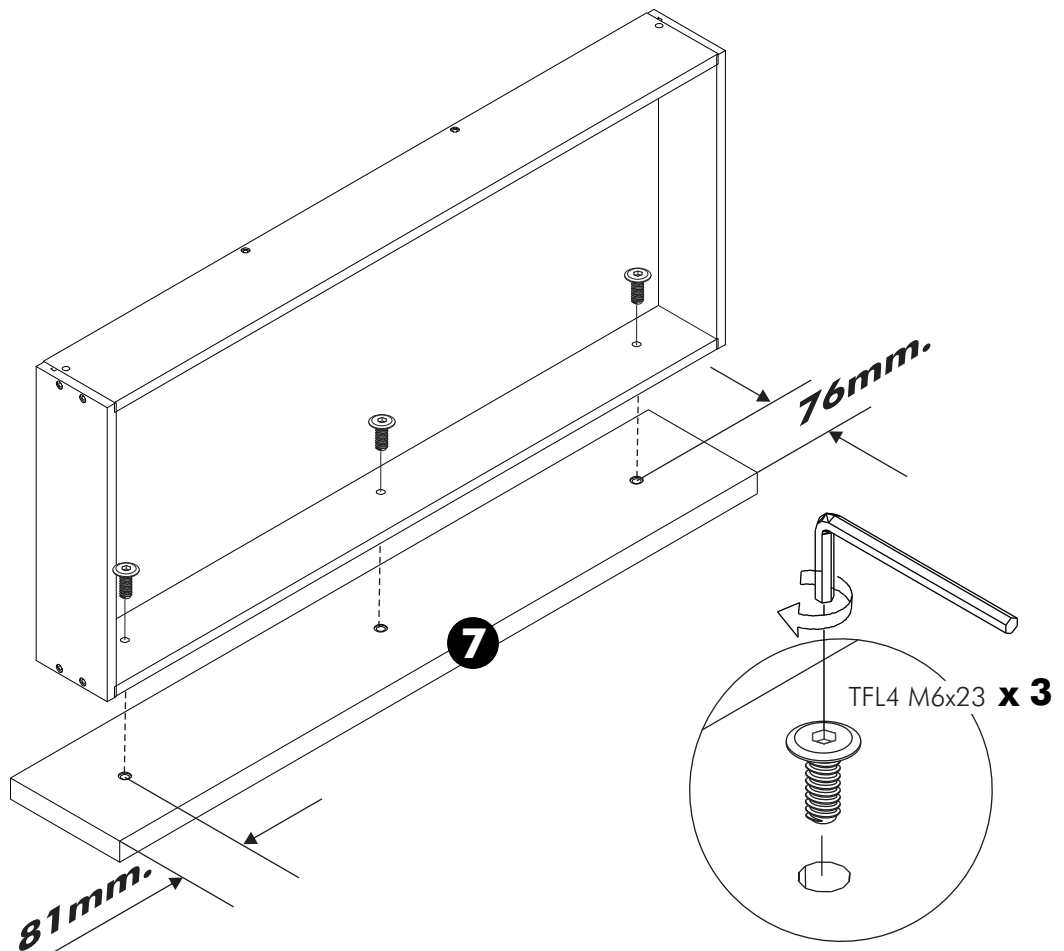
4.



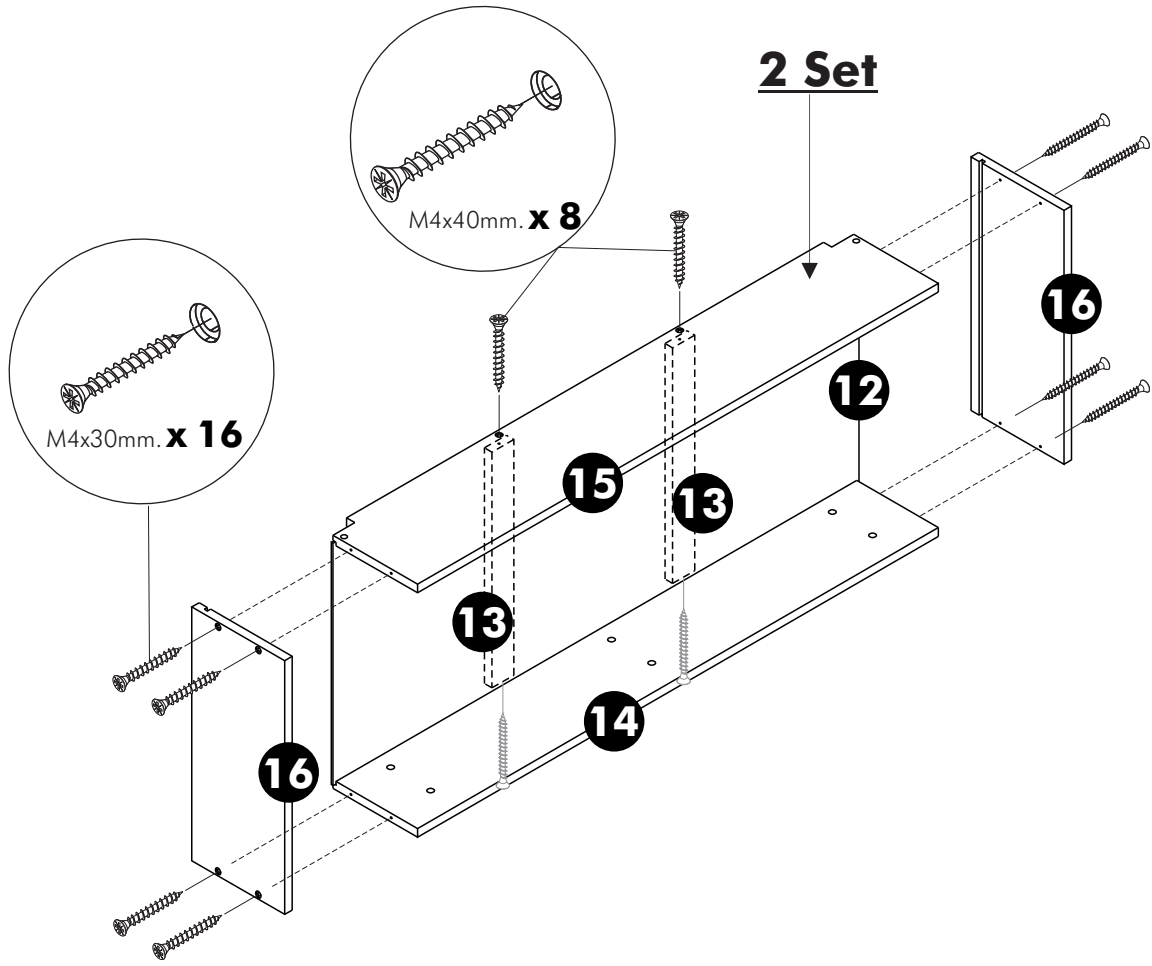
5.



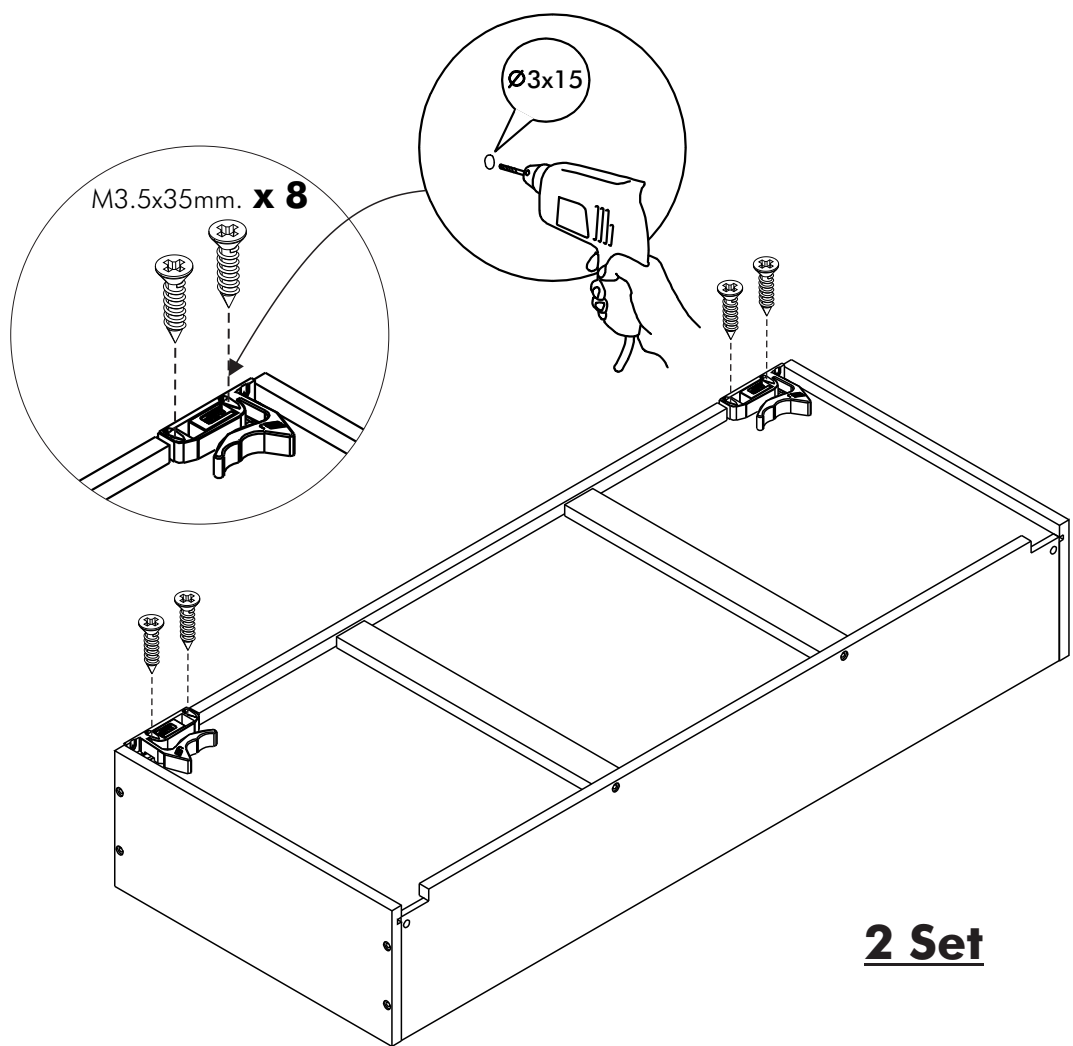
6.



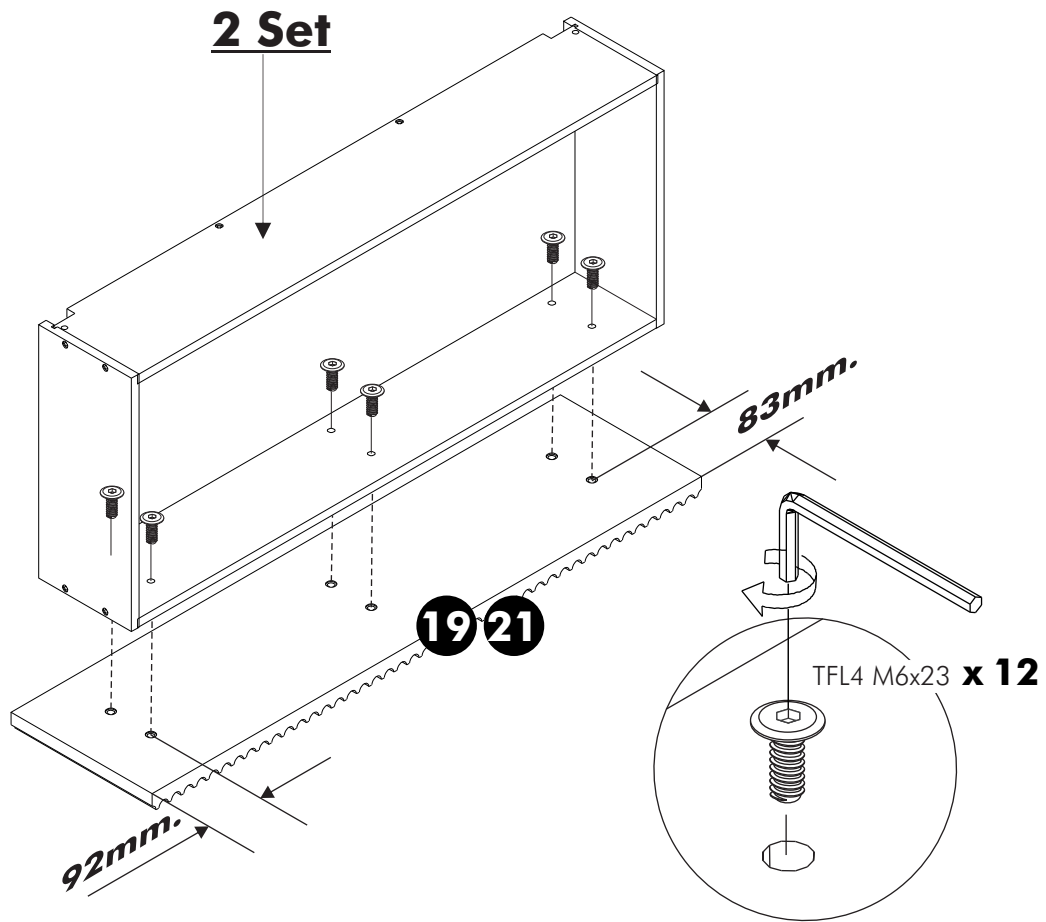
7.



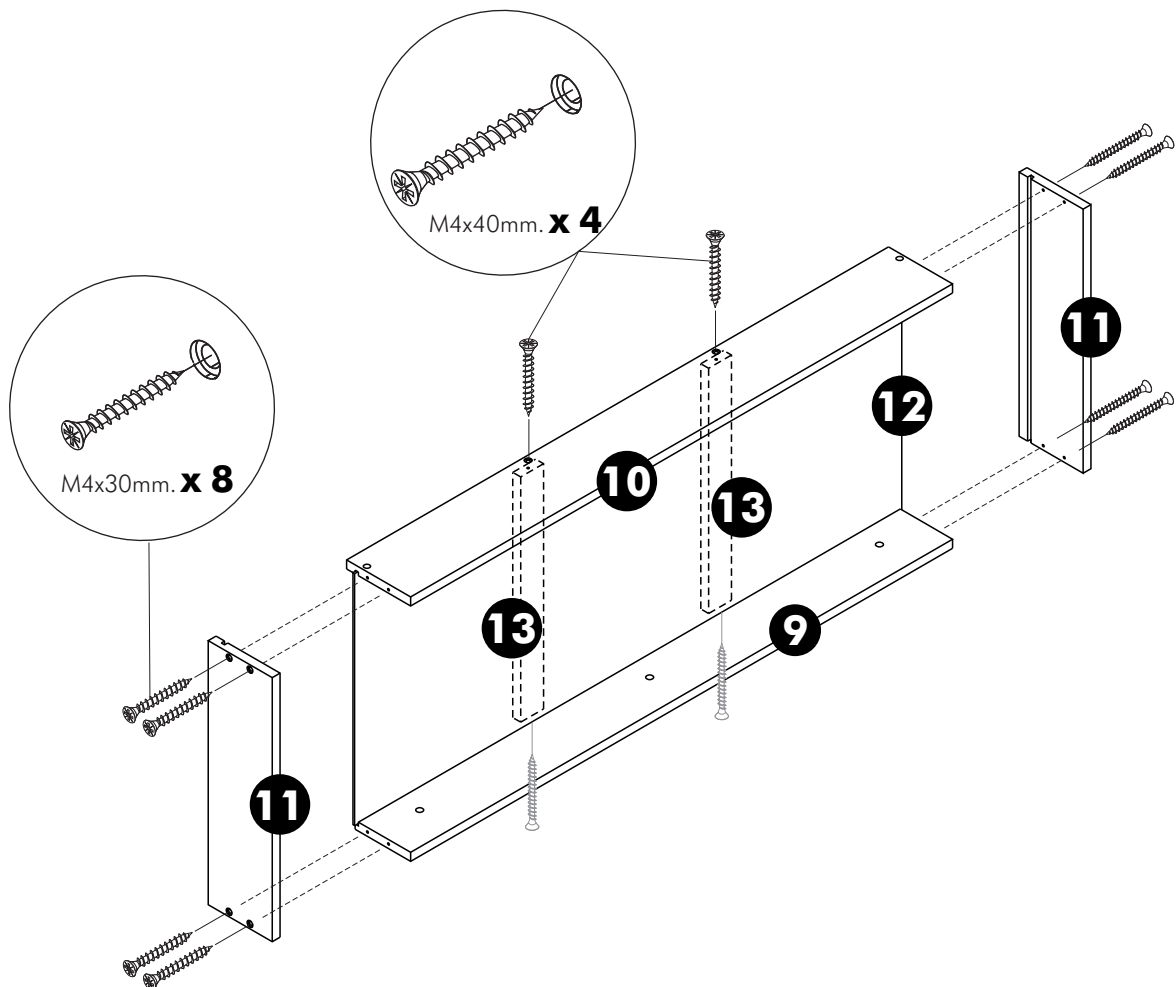
8.



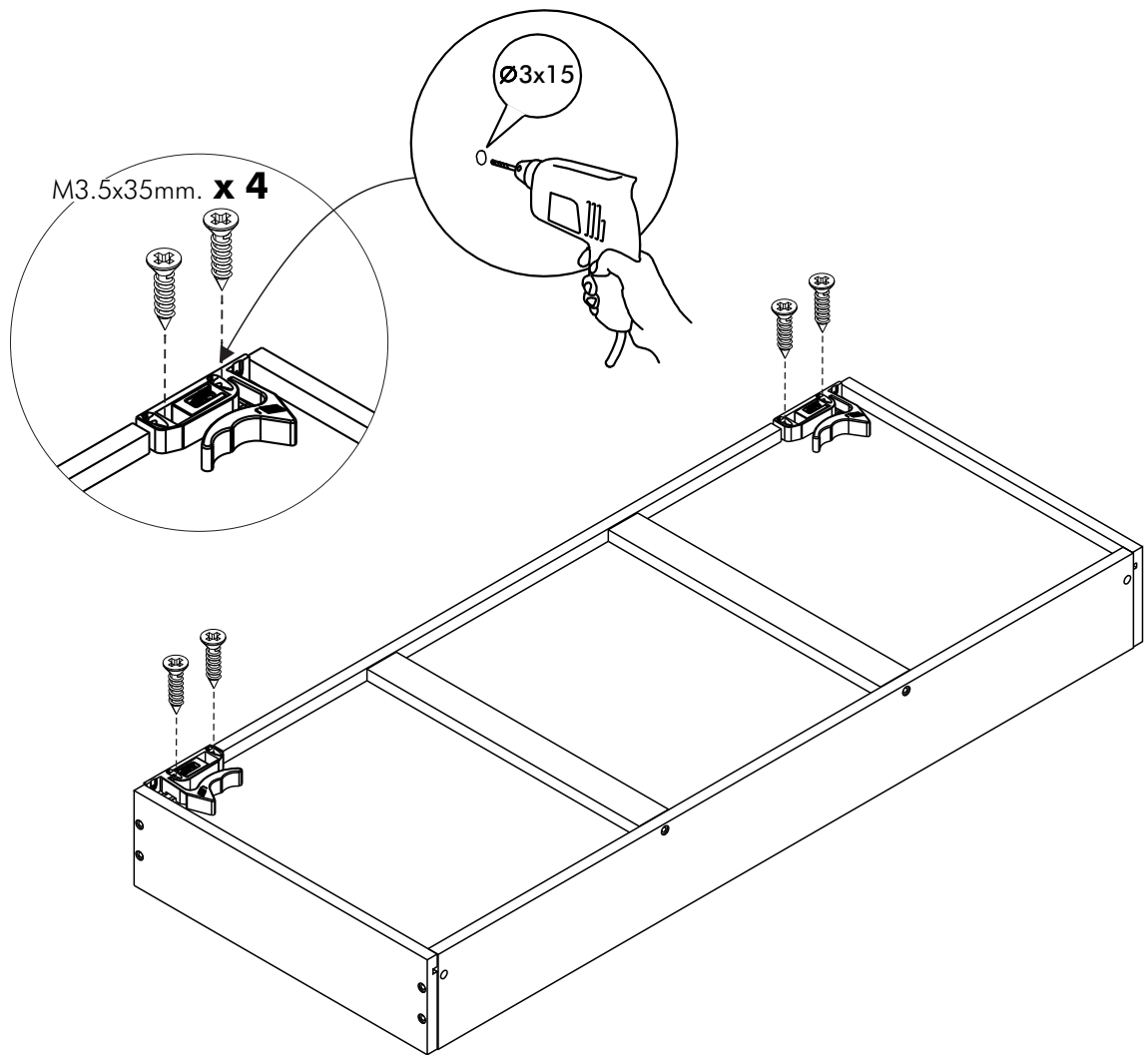
11.



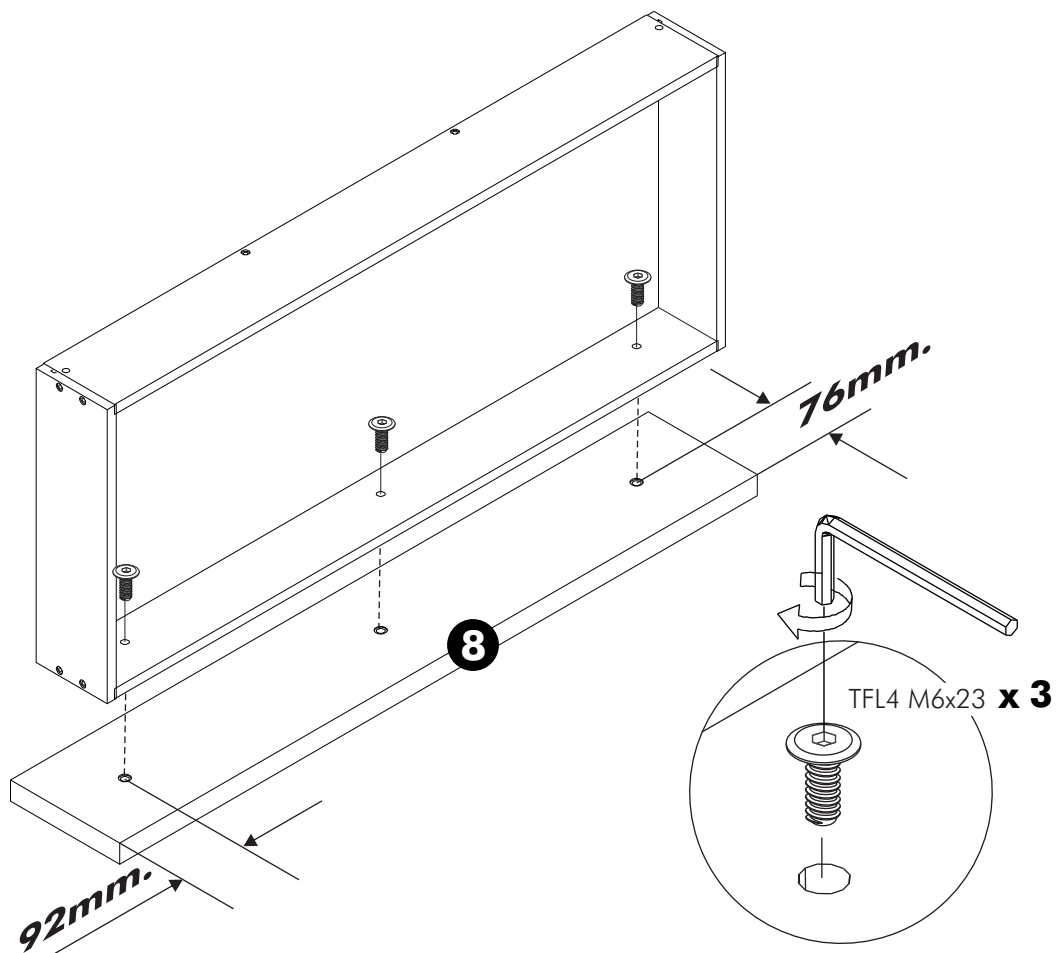
12.



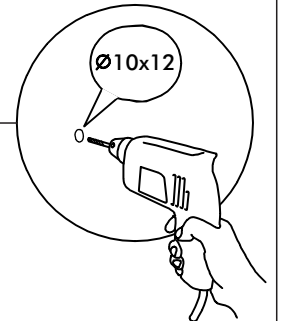
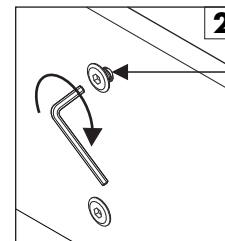
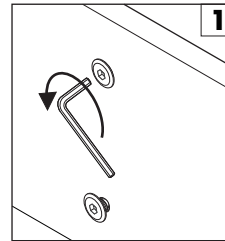
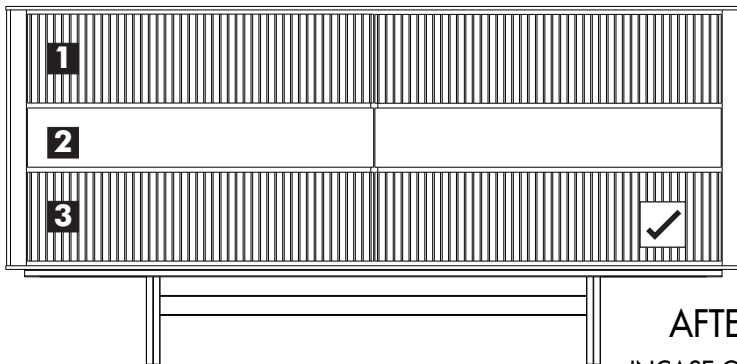
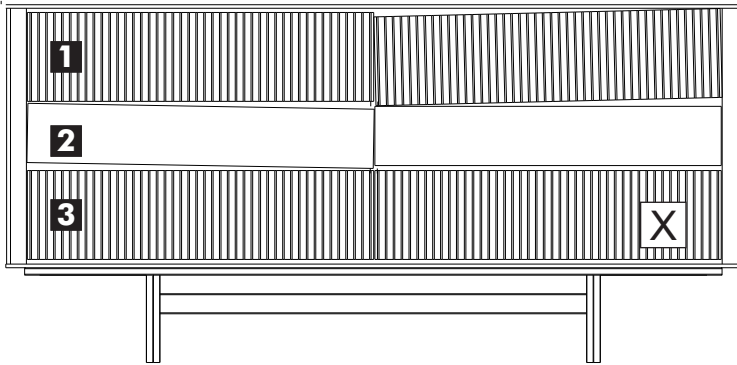
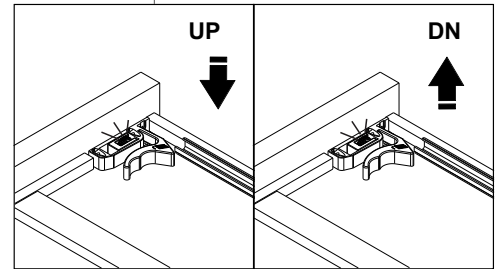
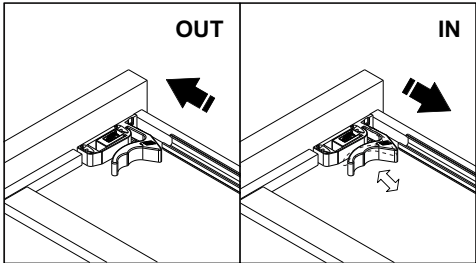
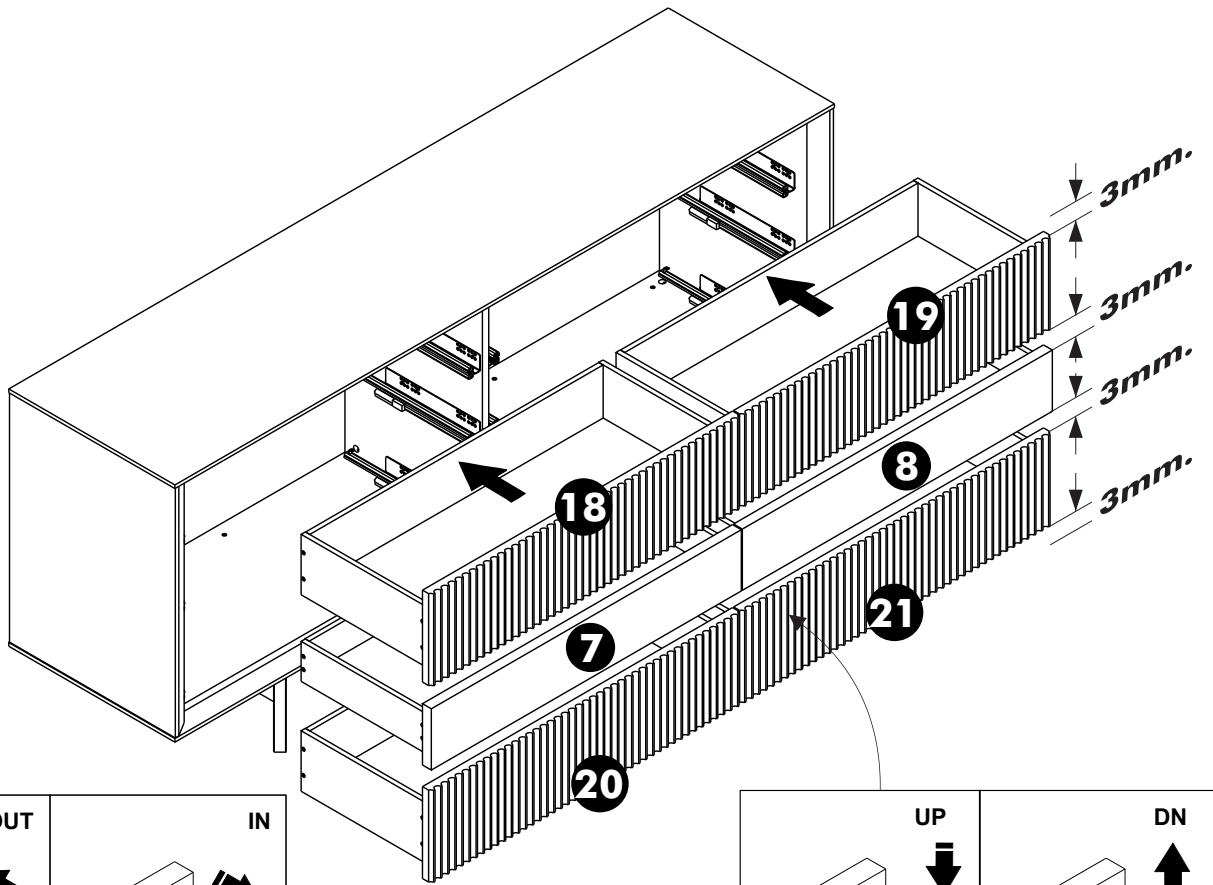
13.



14.



15.



AFTER FINISHED ASSEMBLY.

INCASE OF GAP BETWEEN DRAWERS ARE NOT ALIGN.
PLEASE ADJUST AS BELOW.

1. LOOSE SCREW A LITTLE BIT.
2. THEN MOVE FRONT DRAWER TO ALINGMENT POSITION.
3. TIGHTEN SCREW

