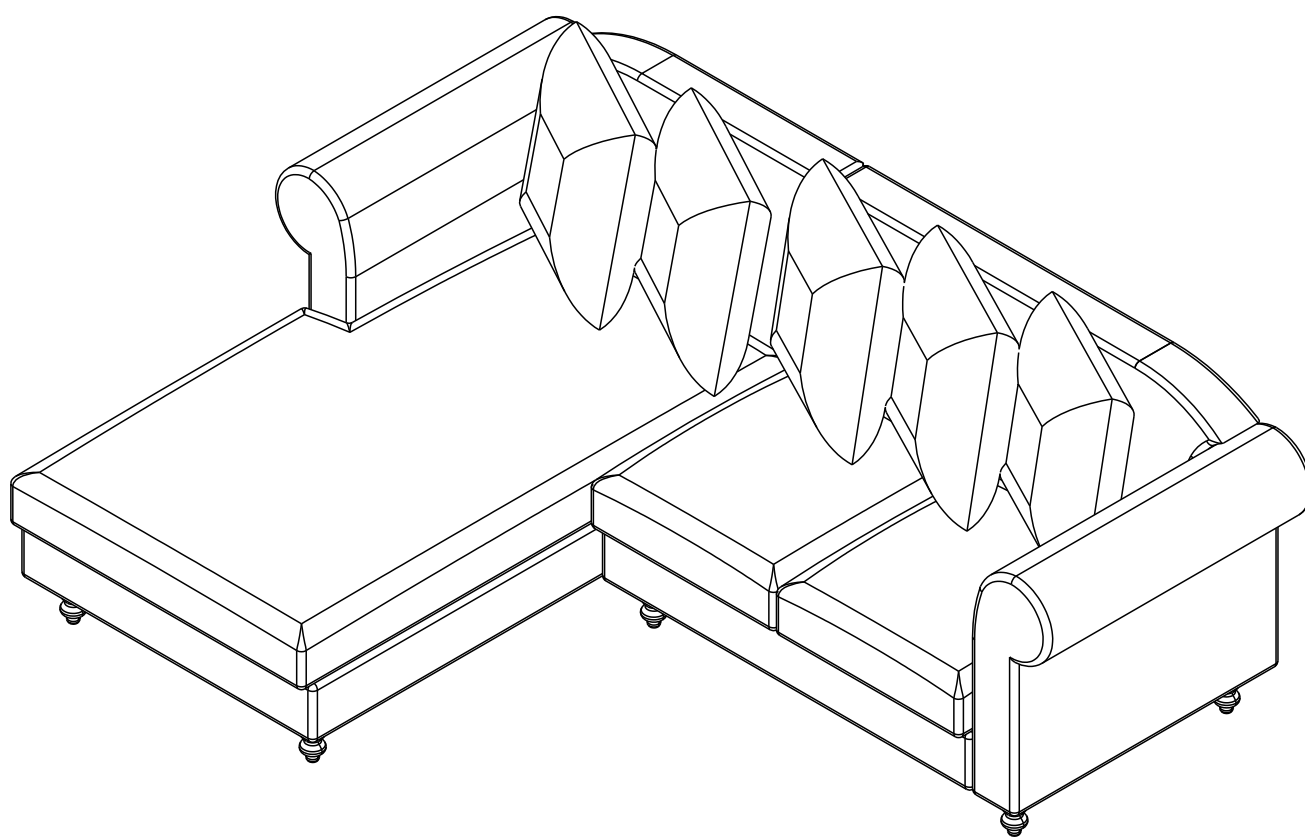


# MONAR

SOFA L-SHAPE/R

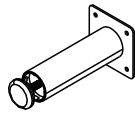


# HARDWARE

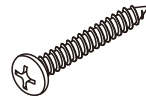
-BODY SET



**x 8**



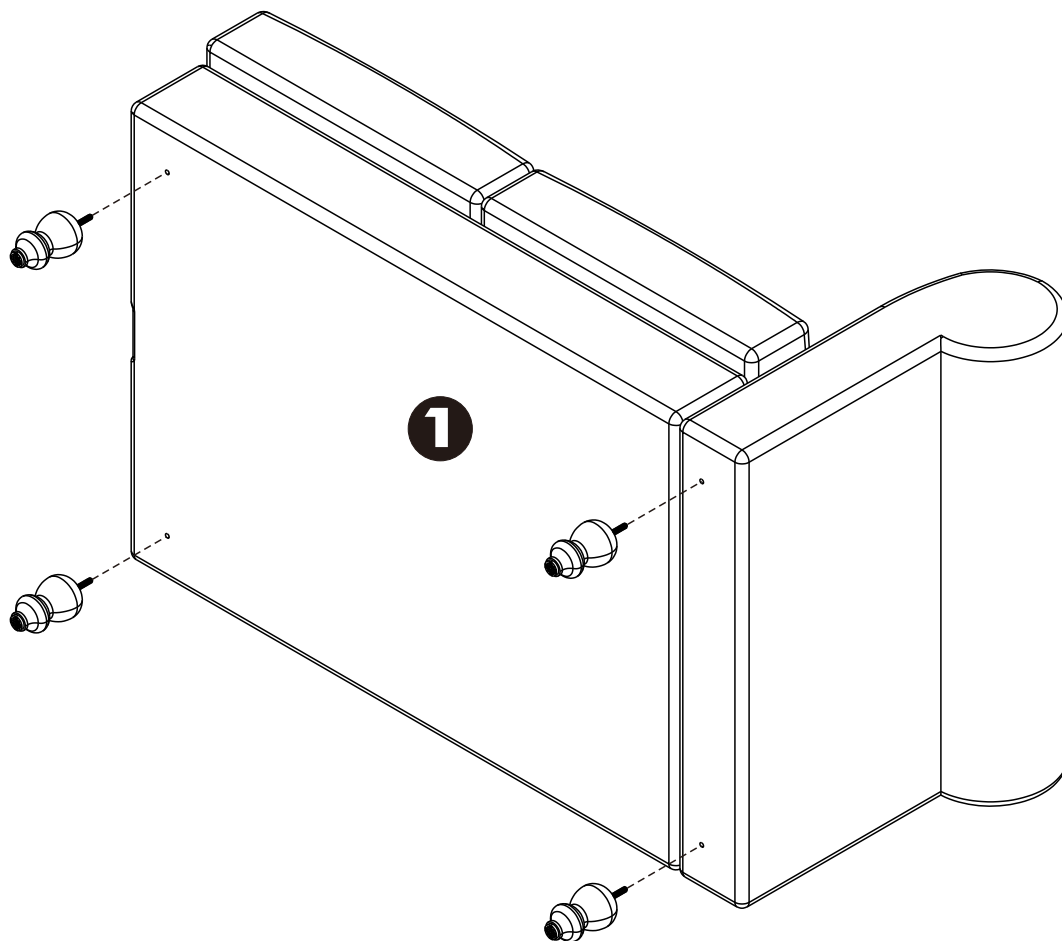
**x 2**



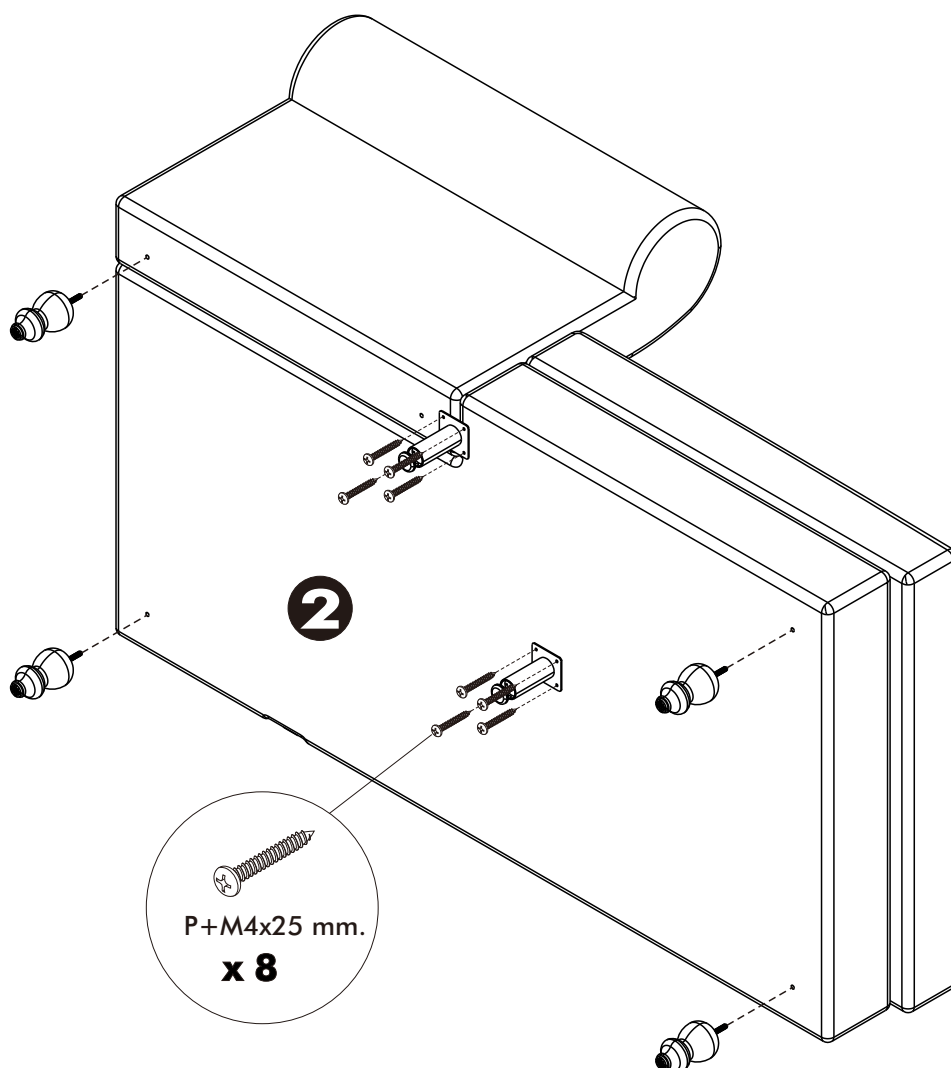
P+M4x25 mm.

**x 8**

**1.**



**2.**



**3.**

