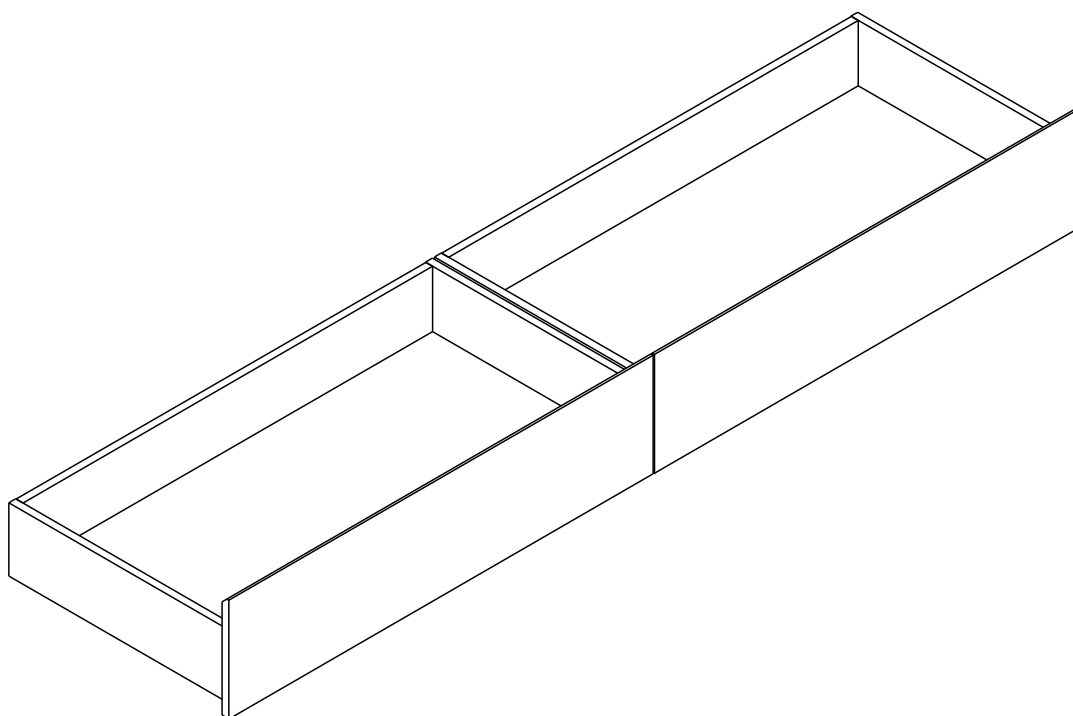


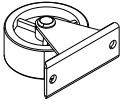
ROME

Drawer box



HARDWARE

-BODY SET



x 10



x 24



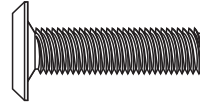
M4x13mm.

x 20



M4x40mm.

x 36



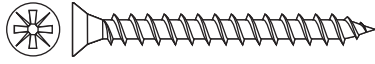
M6x25mm.

x 6

ASSEMBLY

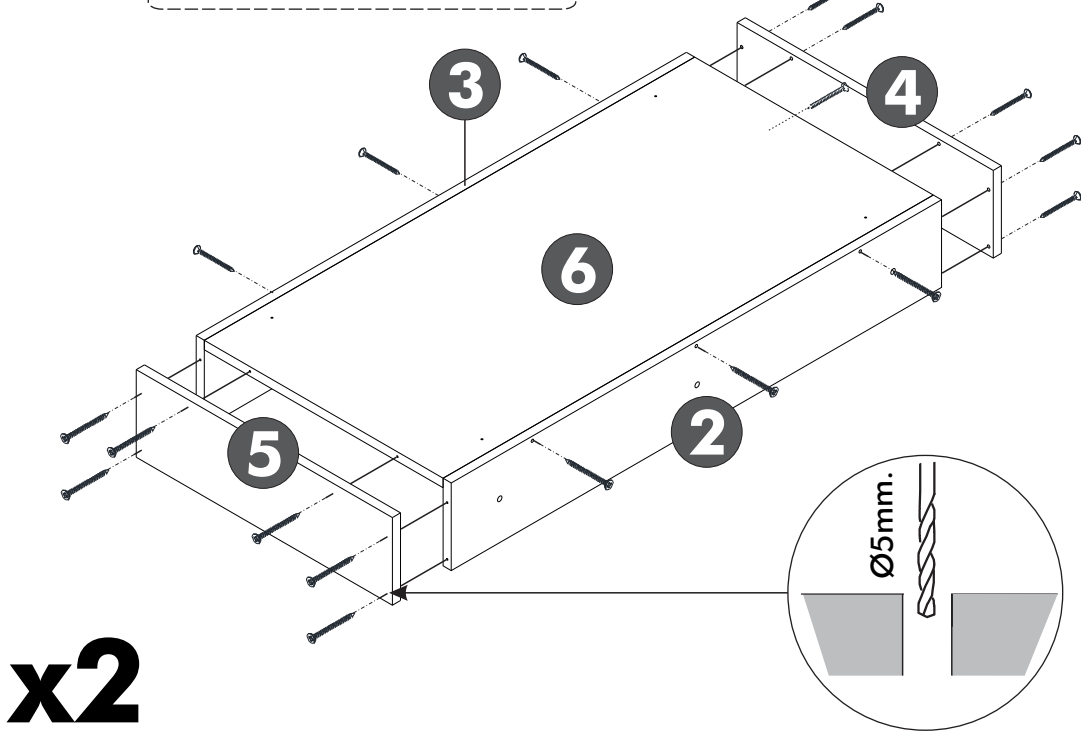
-BODY SET

M4x40mm.

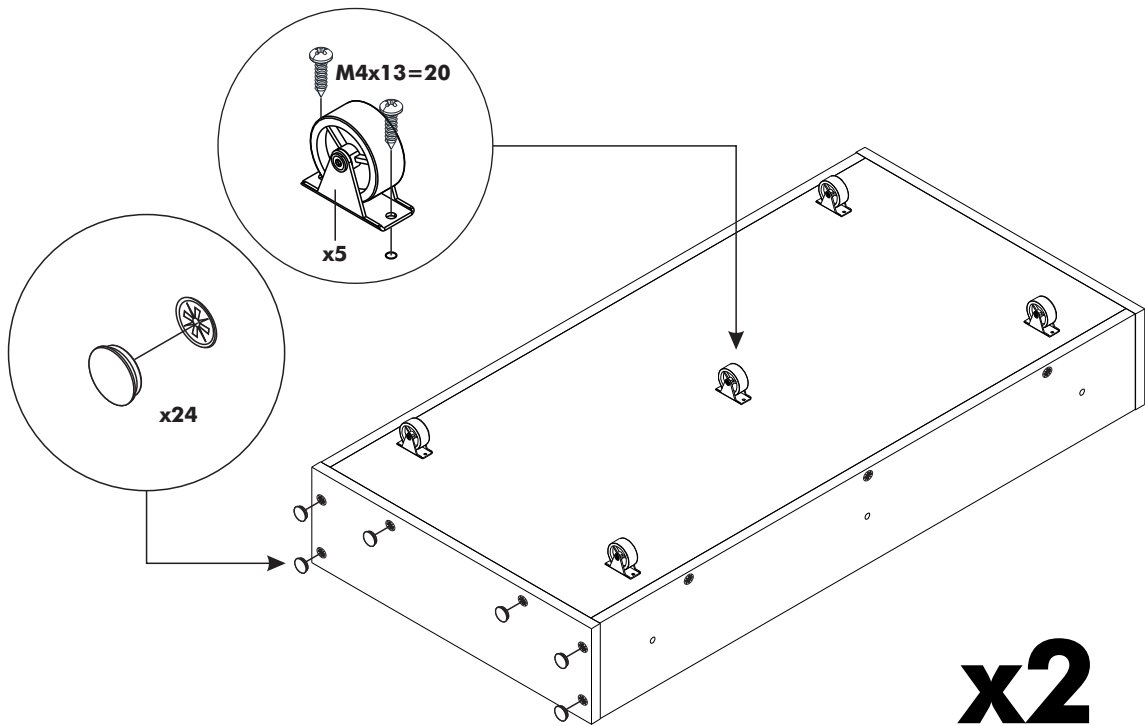


x 36

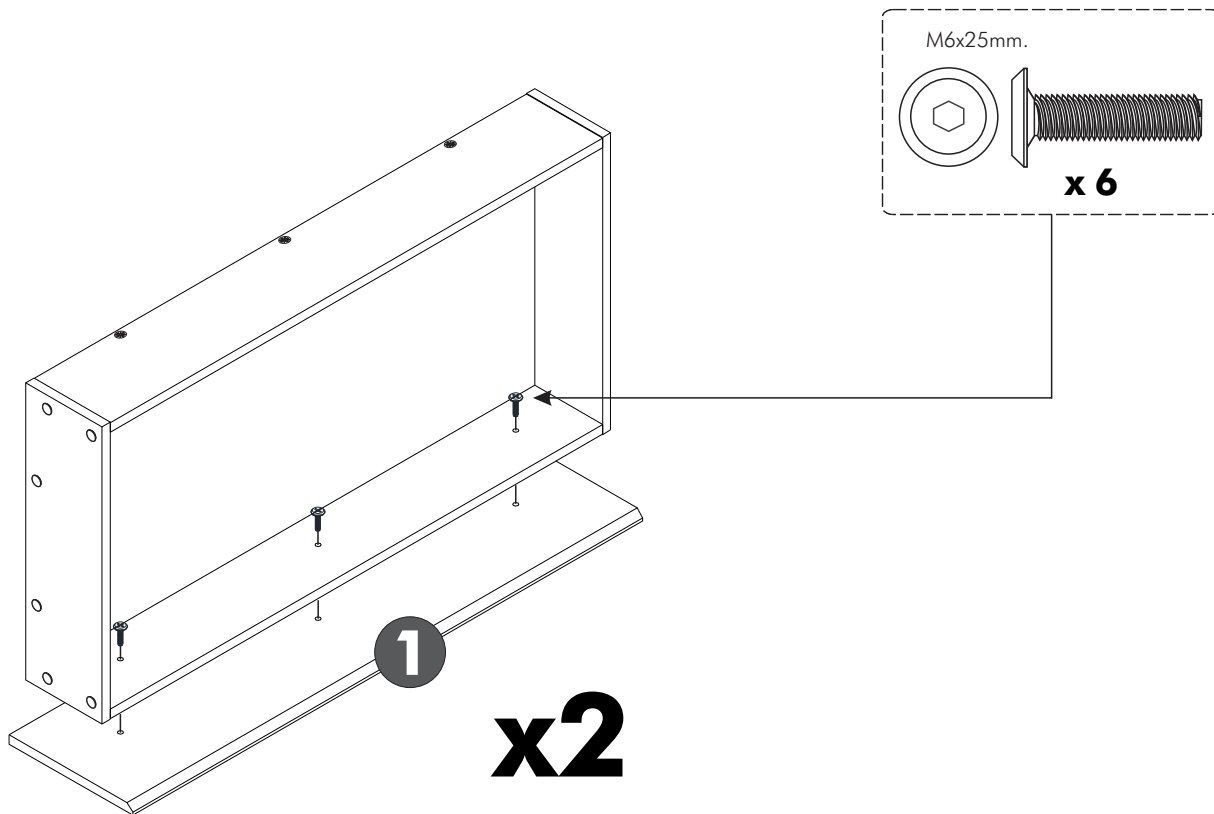
1.



2.



3.



4.

