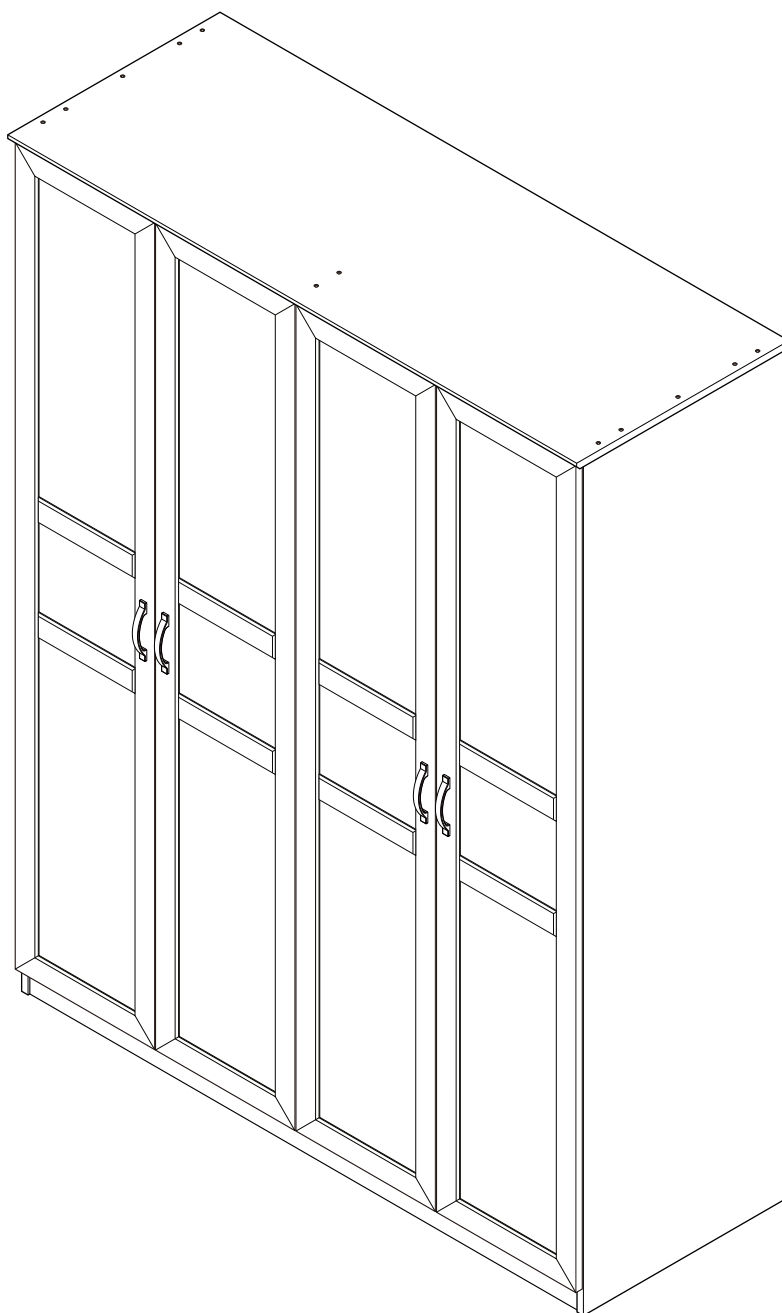
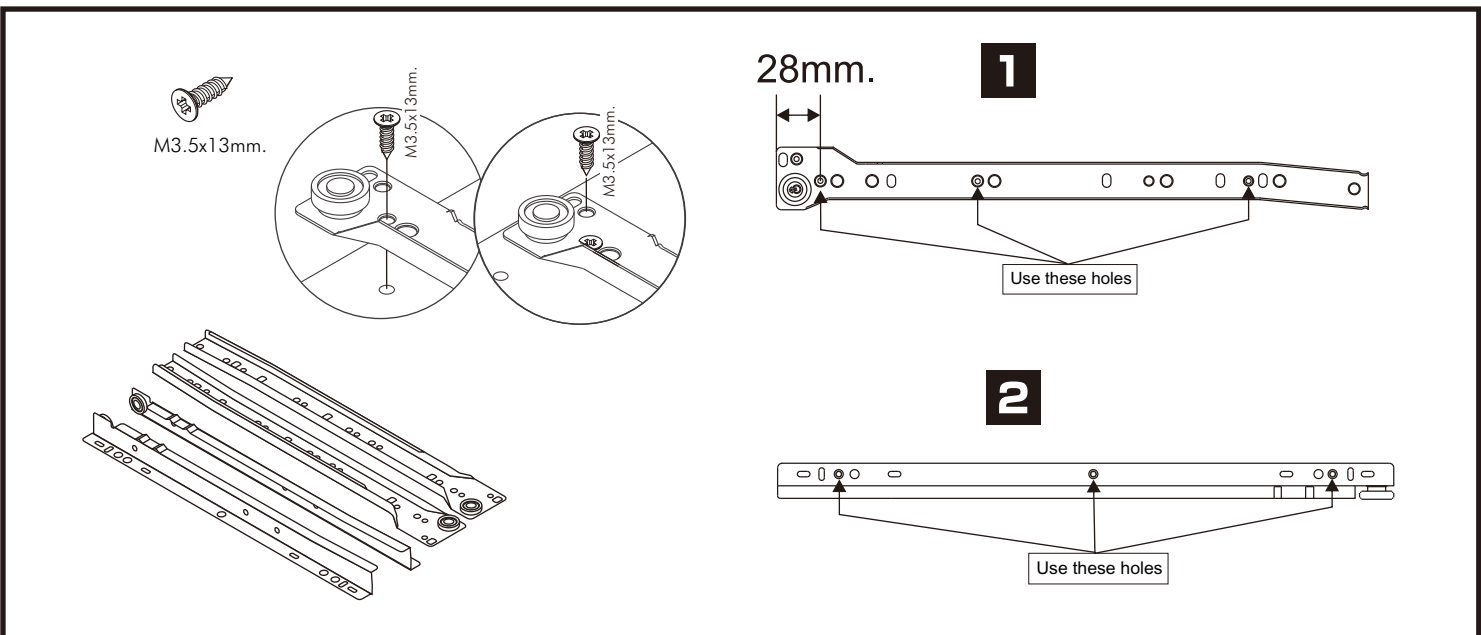
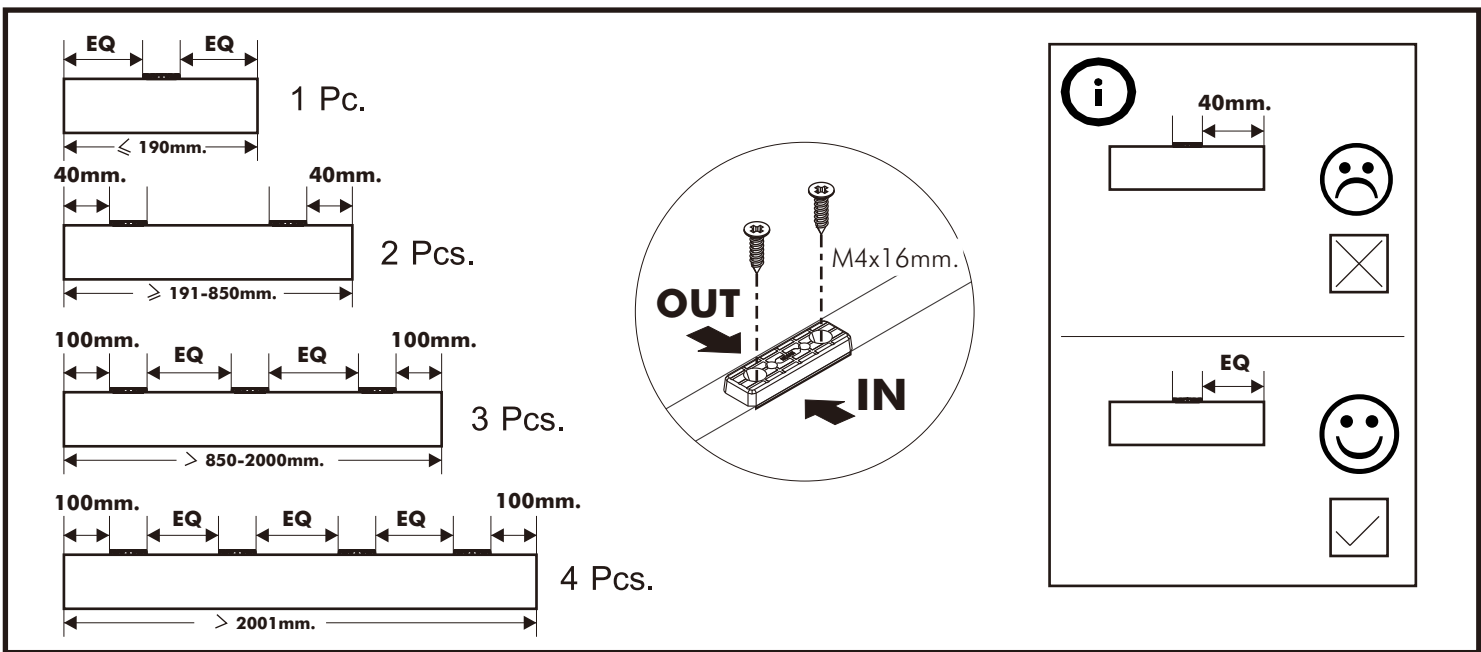
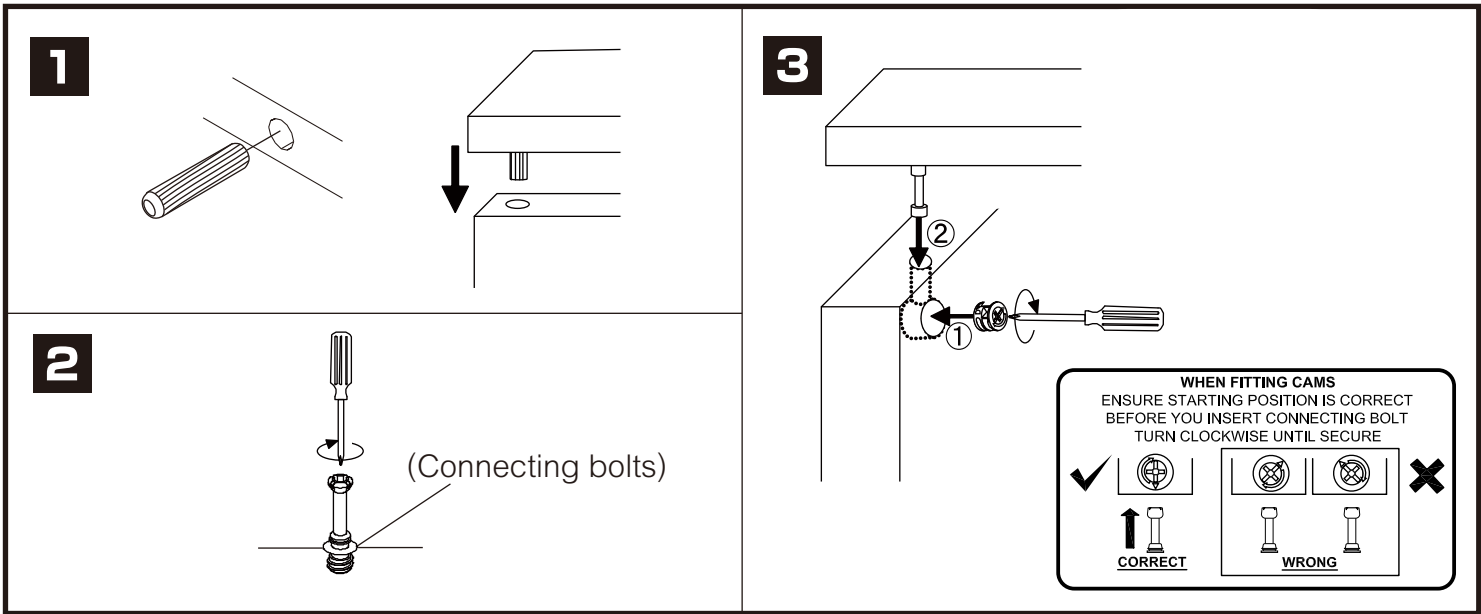


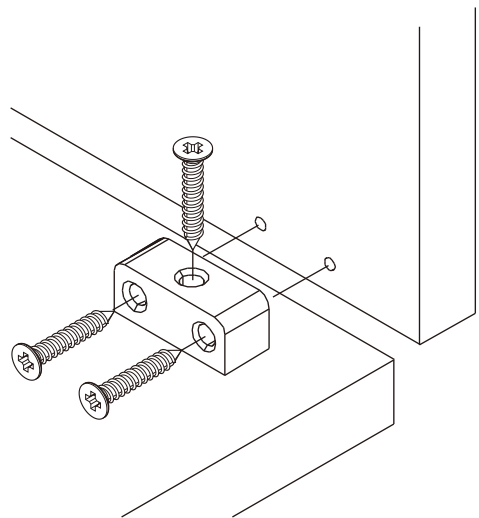
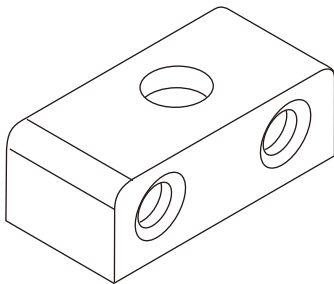
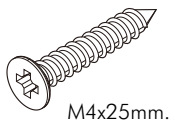
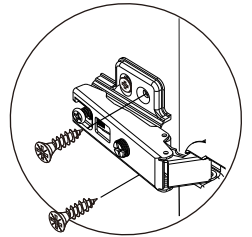
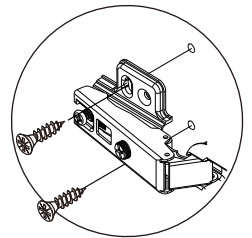
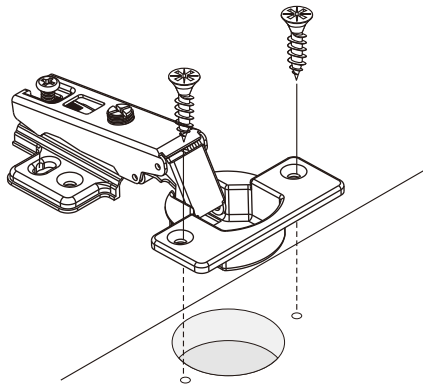
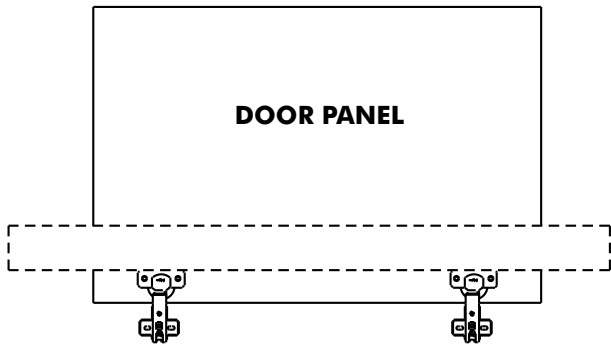
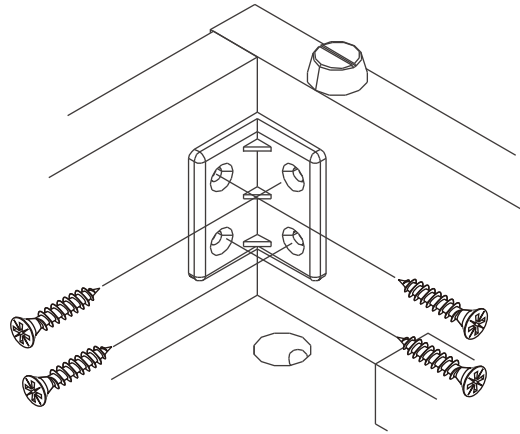
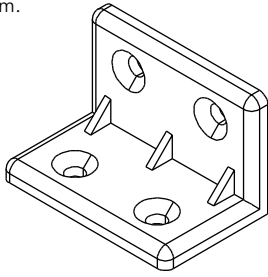
ROME

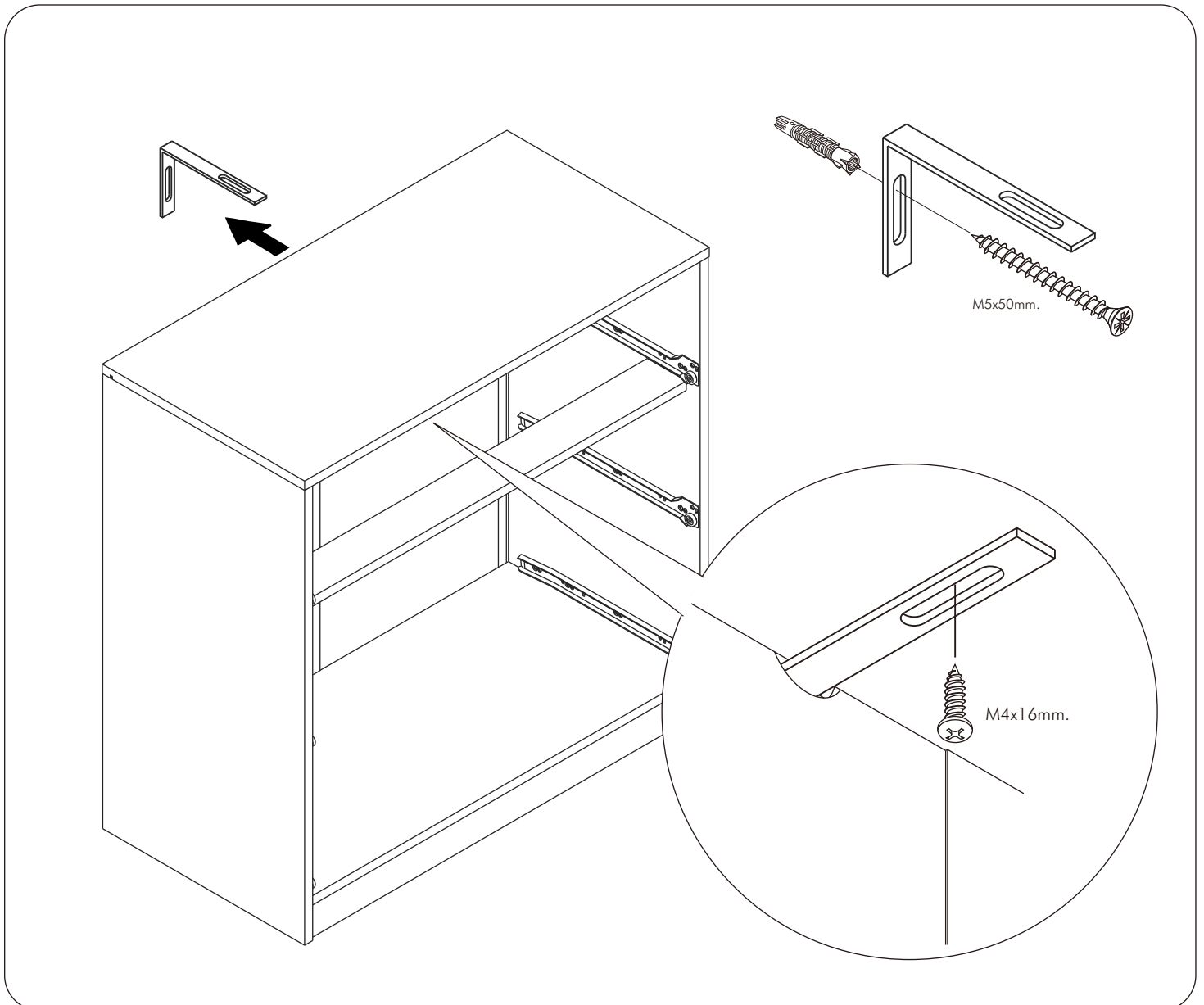
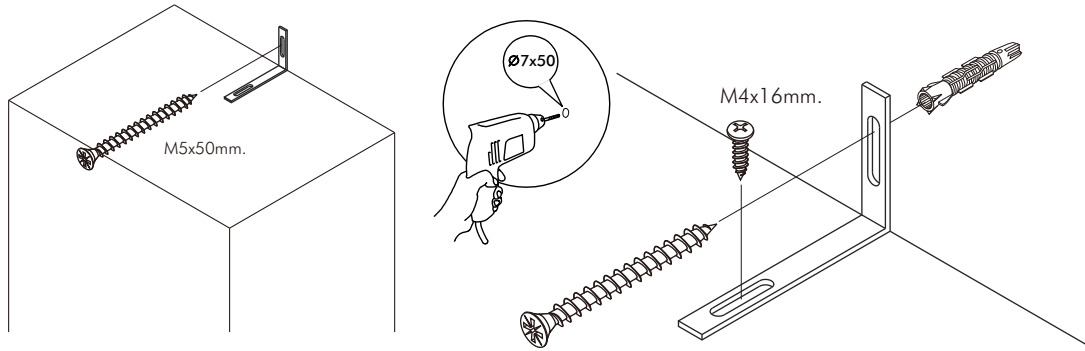
Wardrobe 4 doors



CONNECT SYSTEM

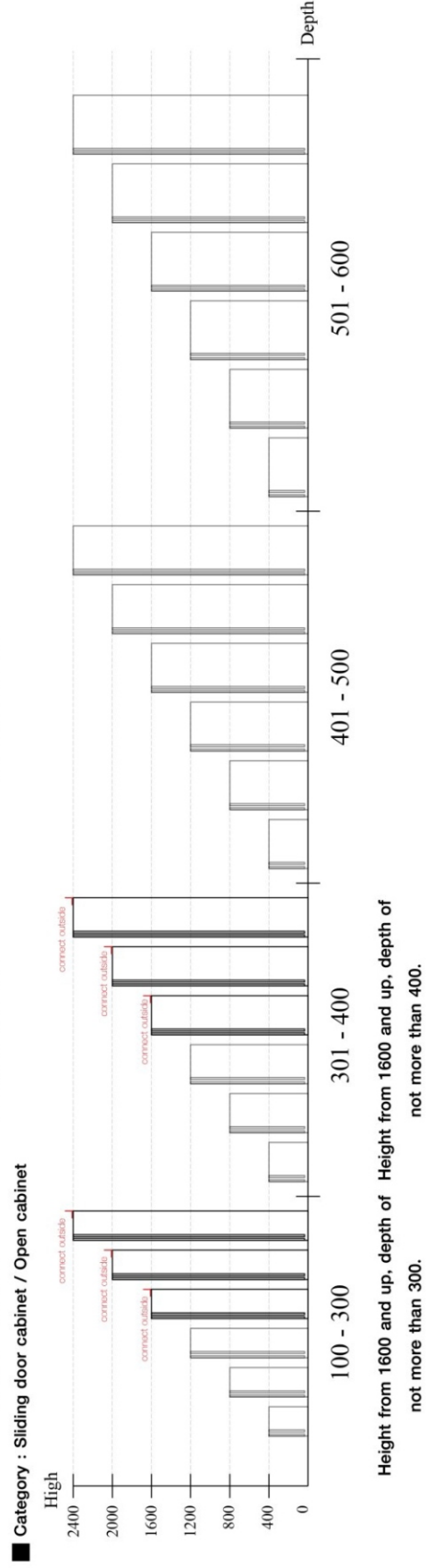
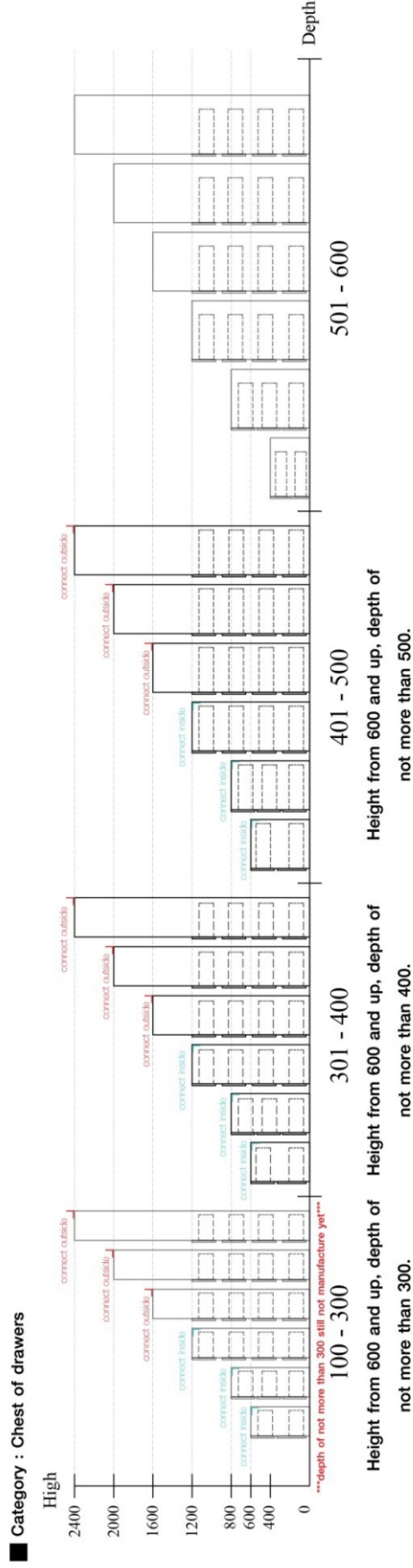
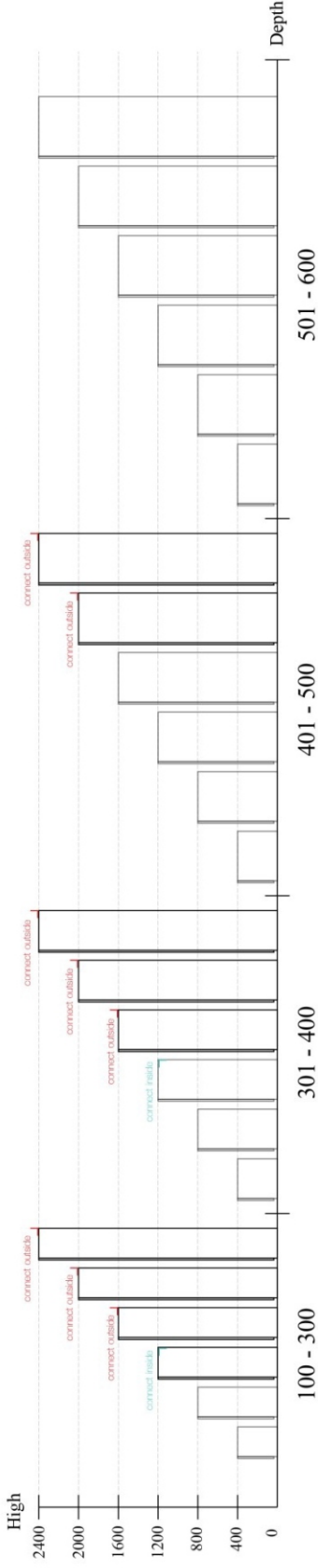
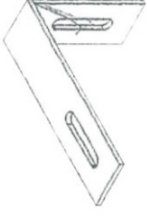






■ The Standard for identifying which mounted safety fall protection fitting to use **Note : That children's products must be installed with all anti-falling fittings.**

■ Mounted fall protection fittings



HARDWARE

-BODY SET



x 10

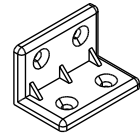


x 10

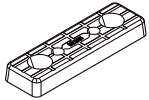


#8x35

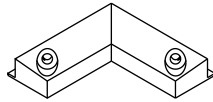
x 28



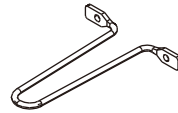
x 23



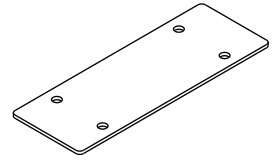
x 12



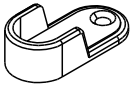
x 2



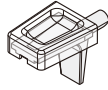
x 1



x 2



x 2



x 8



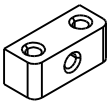
Ø 5x18 mm.

x 2

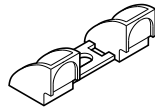


Ø 11mm.

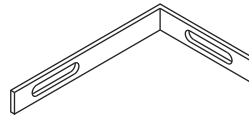
x 4



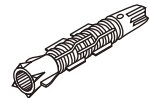
x 12



x 2



x 2



x 2



M3.5x13mm.

x 4



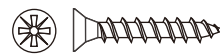
M4x13mm.

x 8



M4x16mm.

x 116



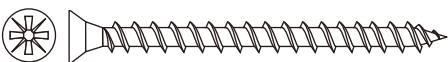
M3.5x20mm.

x 4



M4x25mm.

x 44



M4x50mm.

x 19



M5x50mm.

x 2



M3.5x13mm.

x 4



M4x13mm.

x 4



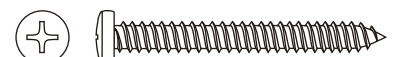
M4x16mm.

x 25



M4x30mm.

x 12

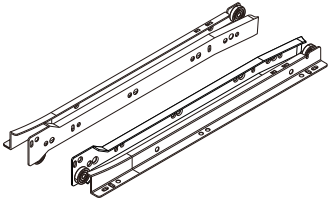


M4x45mm.

x 6

HARDWARE

-DRAWER SET



x 1 Set



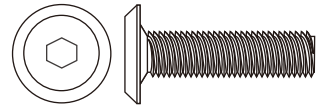
M3.5x13mm.

x 14



M4x40mm.

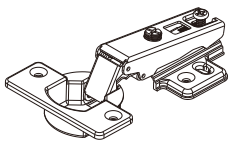
x 10



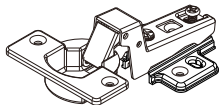
M6x23mm.

x 3

-DOOR SET



x 8



x 8

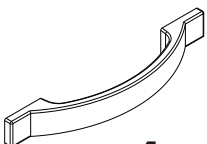


M4x16mm.

x 96



x 8



x 4



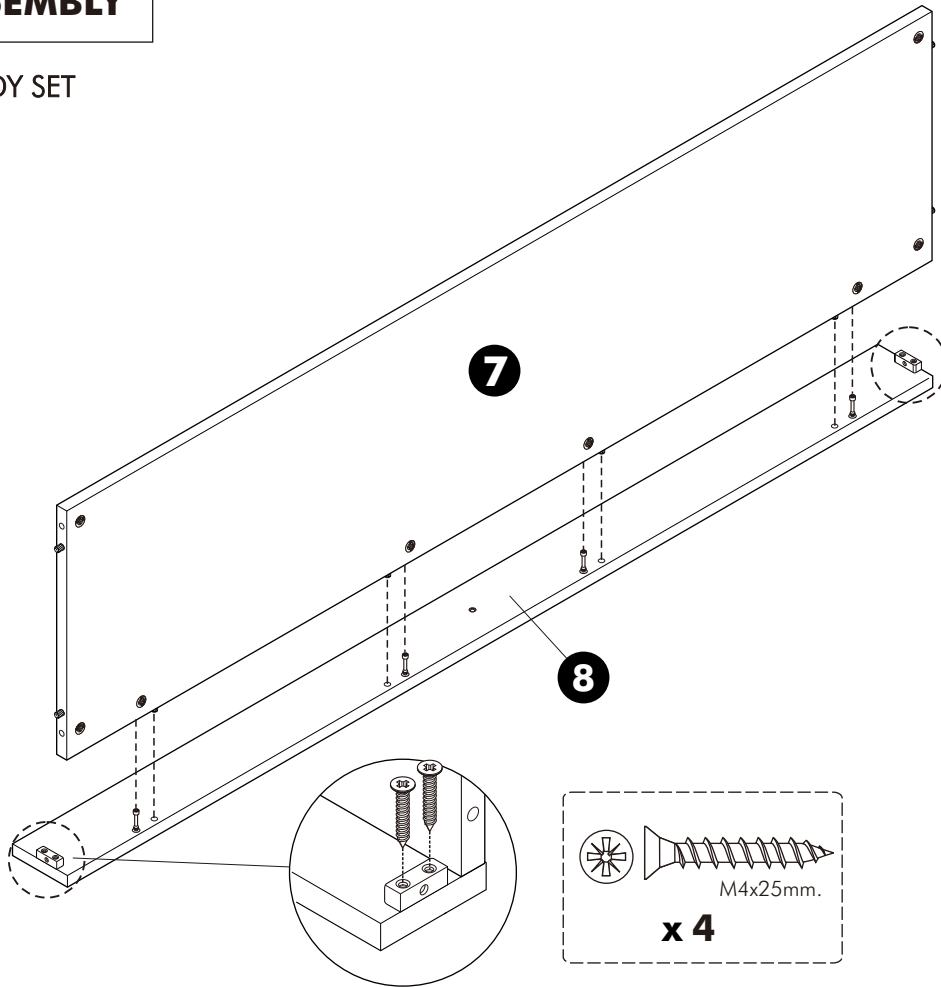
M4x22mm.

x 8

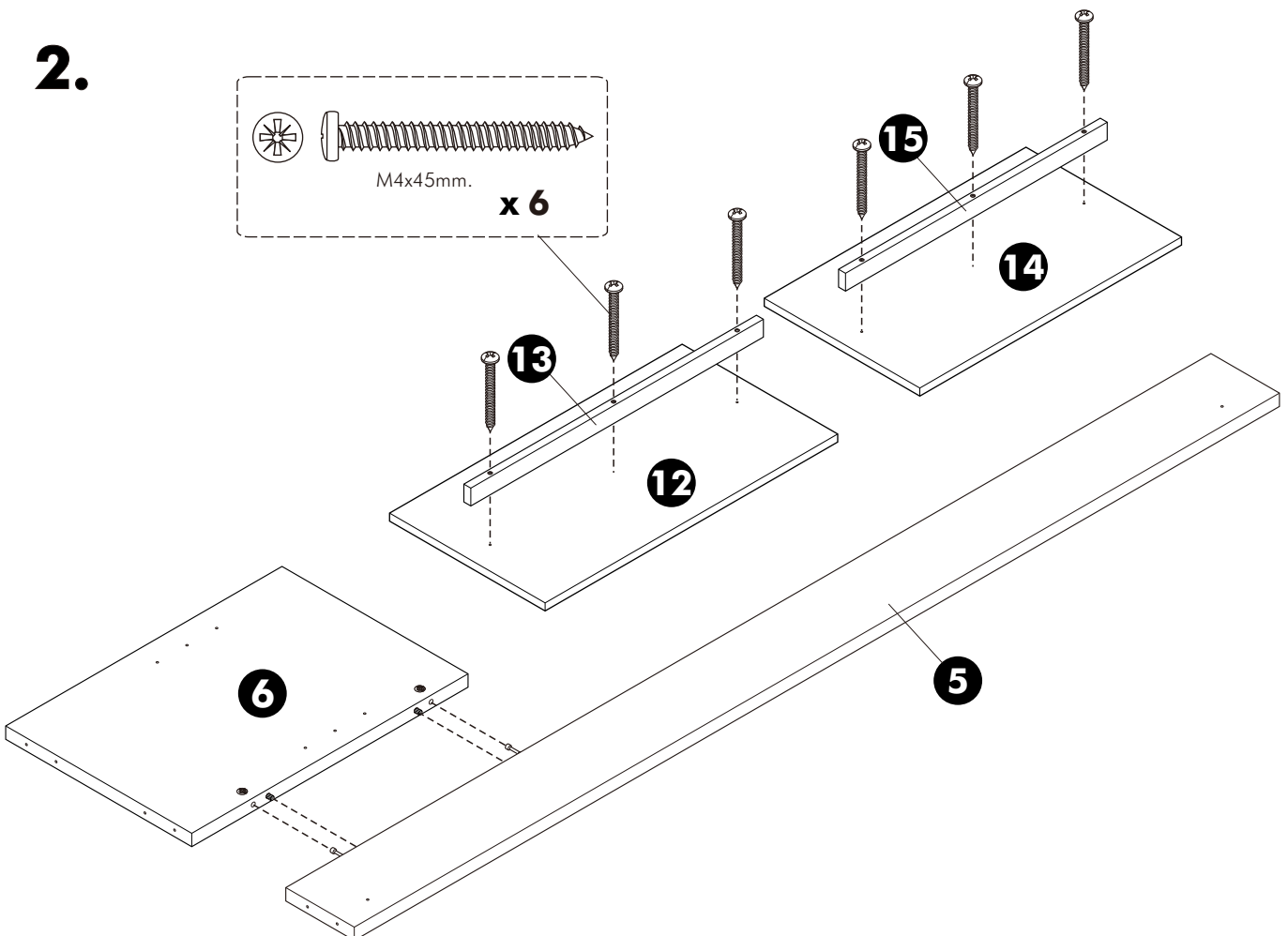
ASSEMBLY

-BODY SET

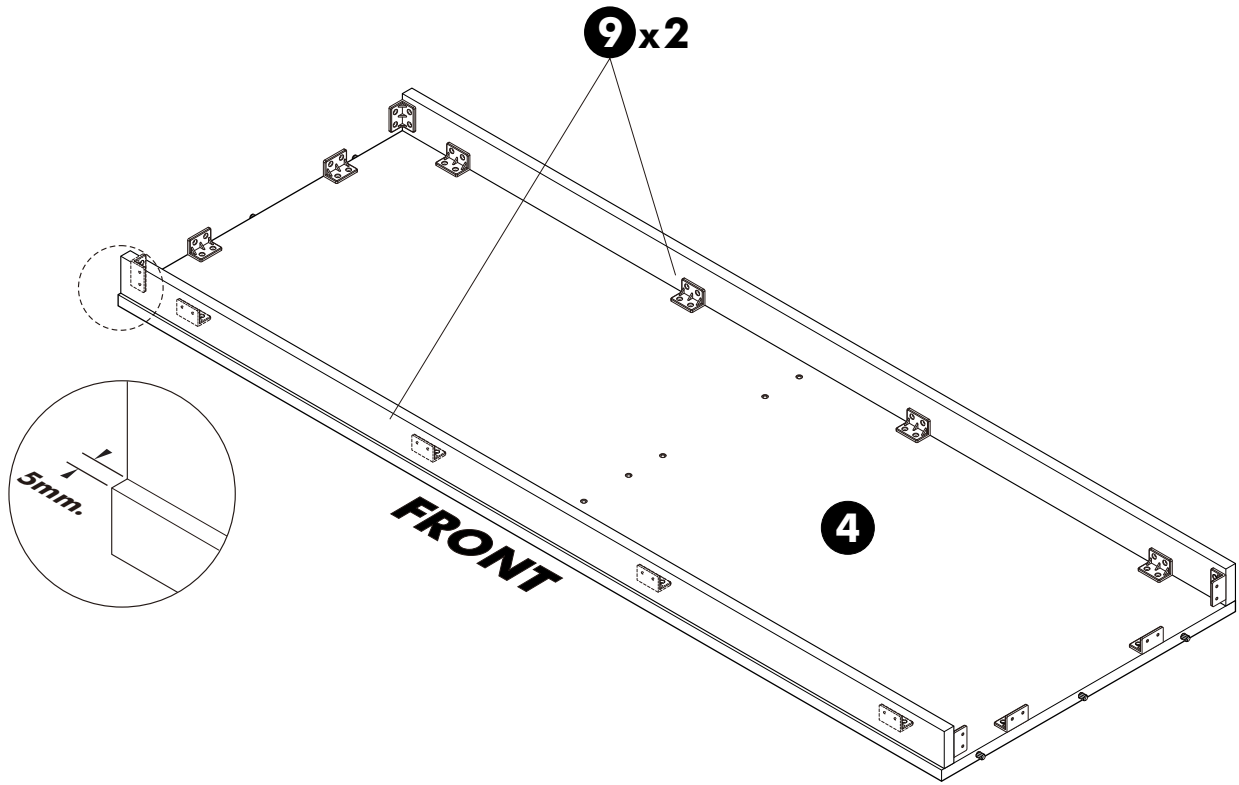
1.



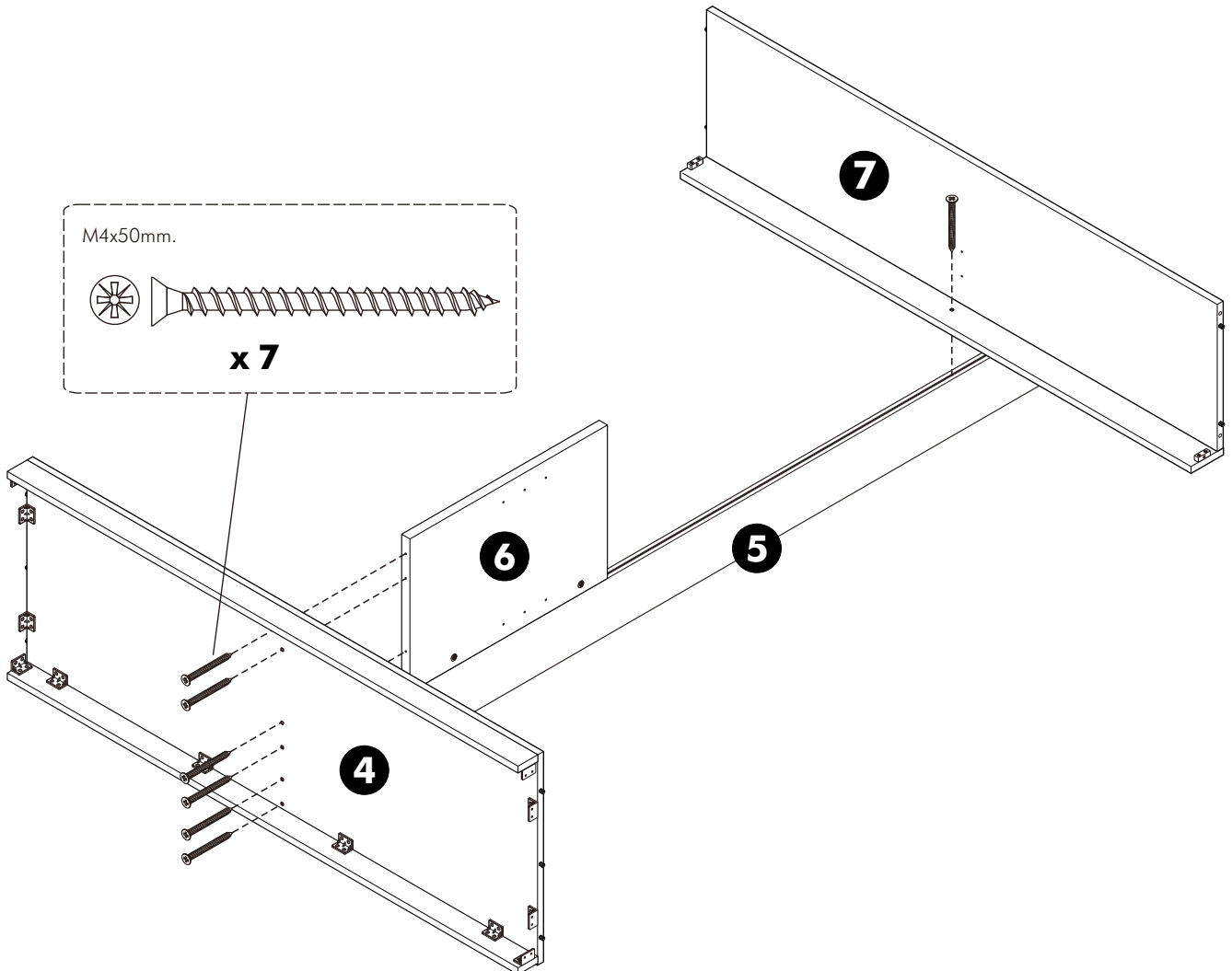
2.



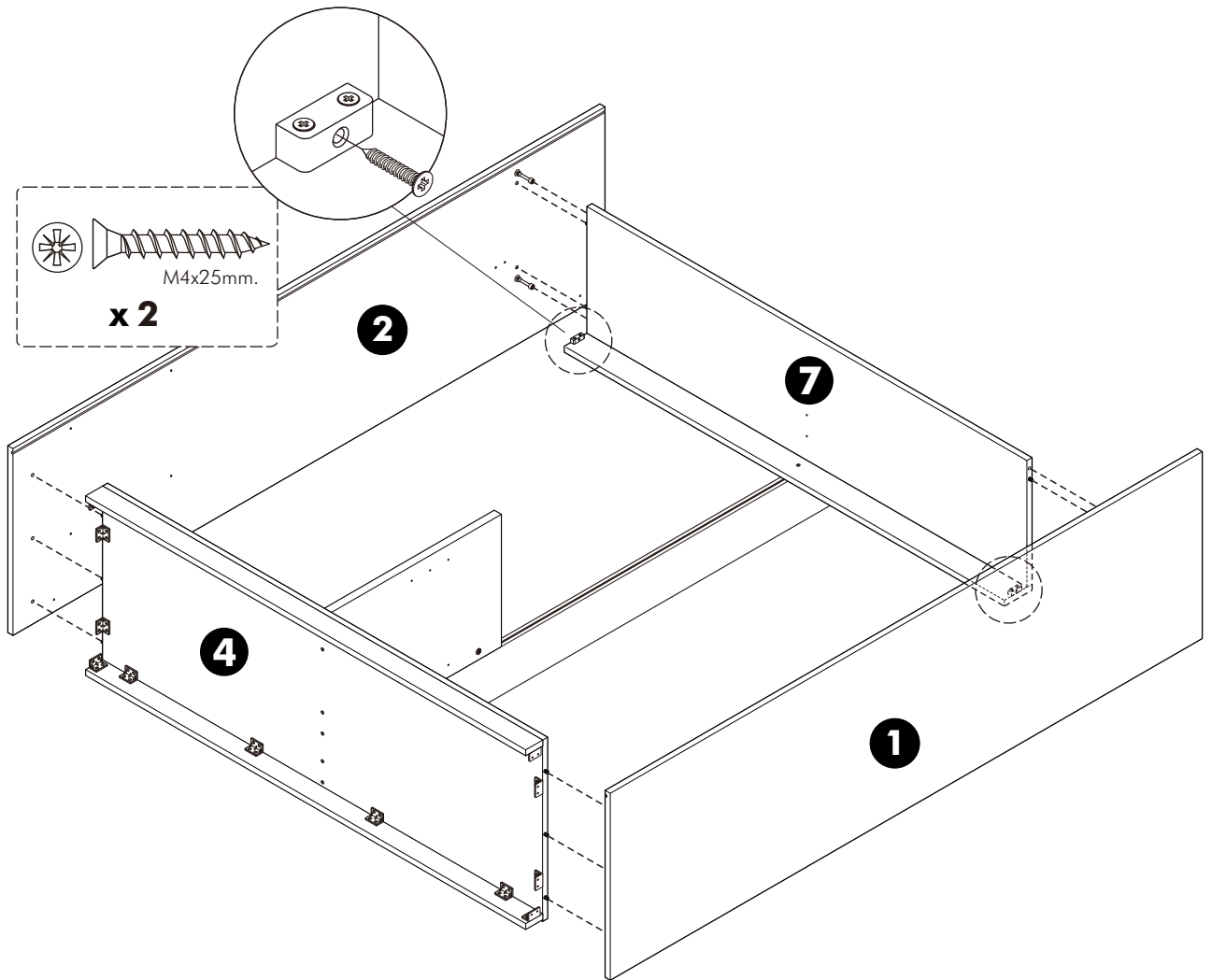
3.



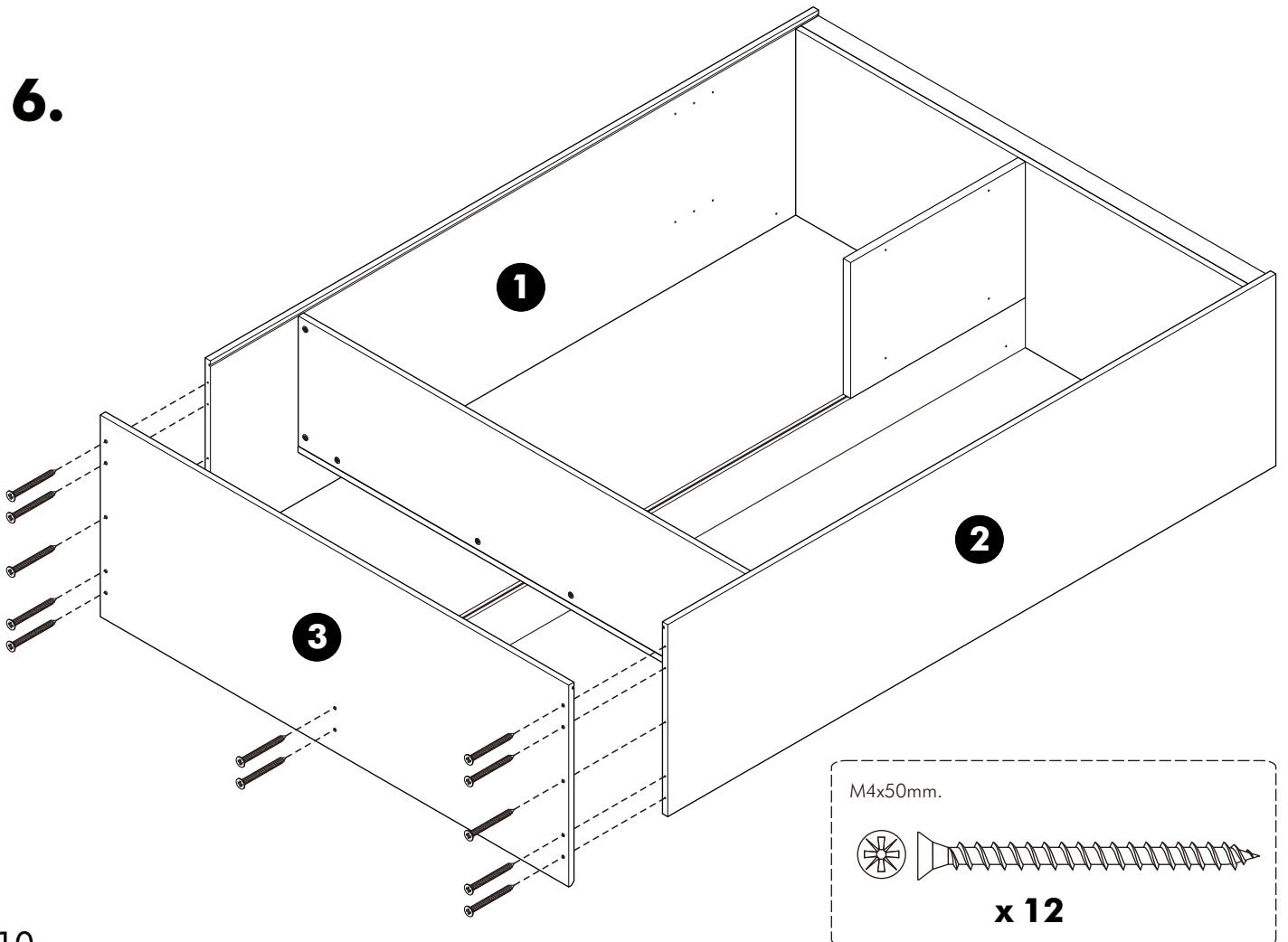
4.



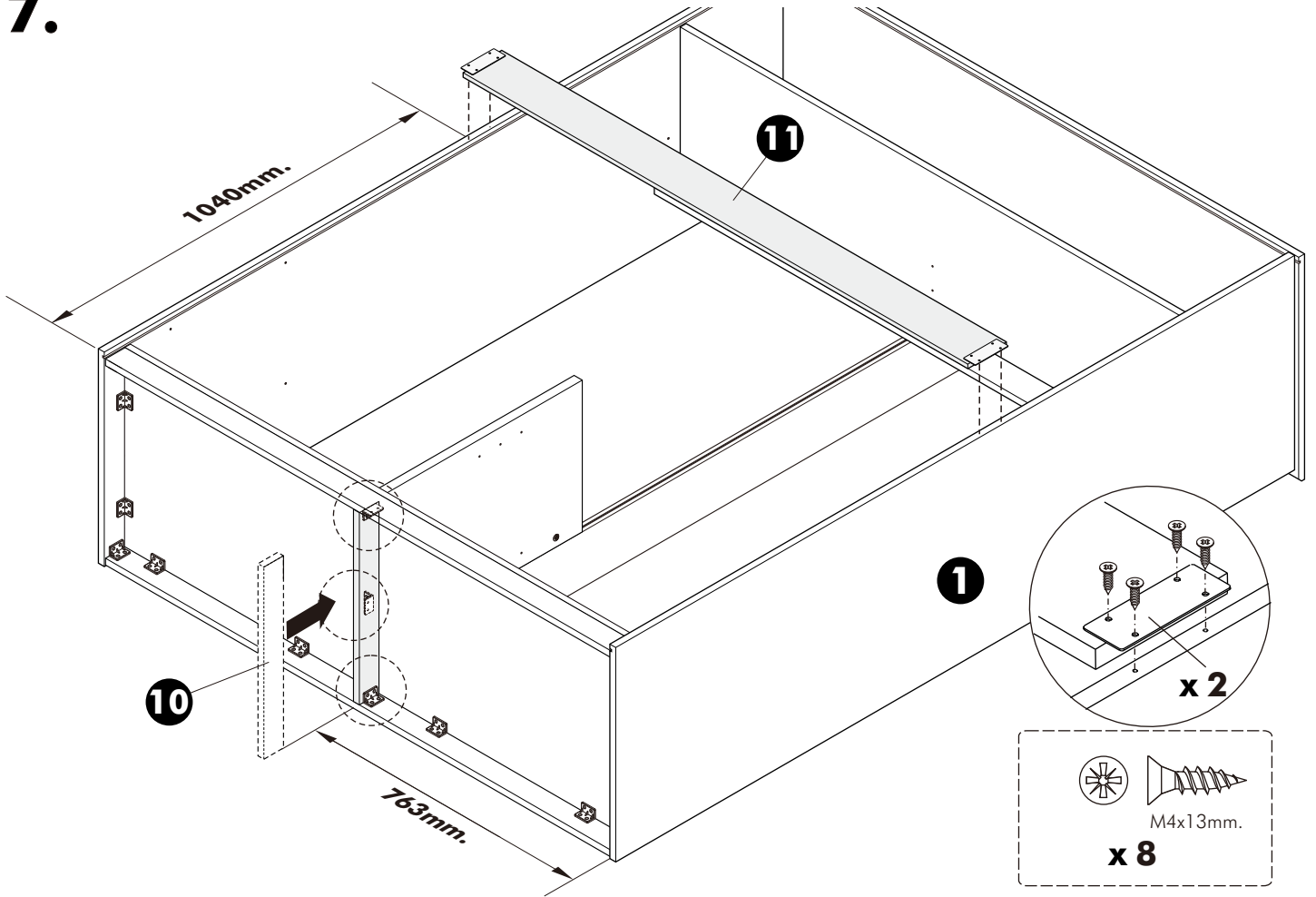
5.



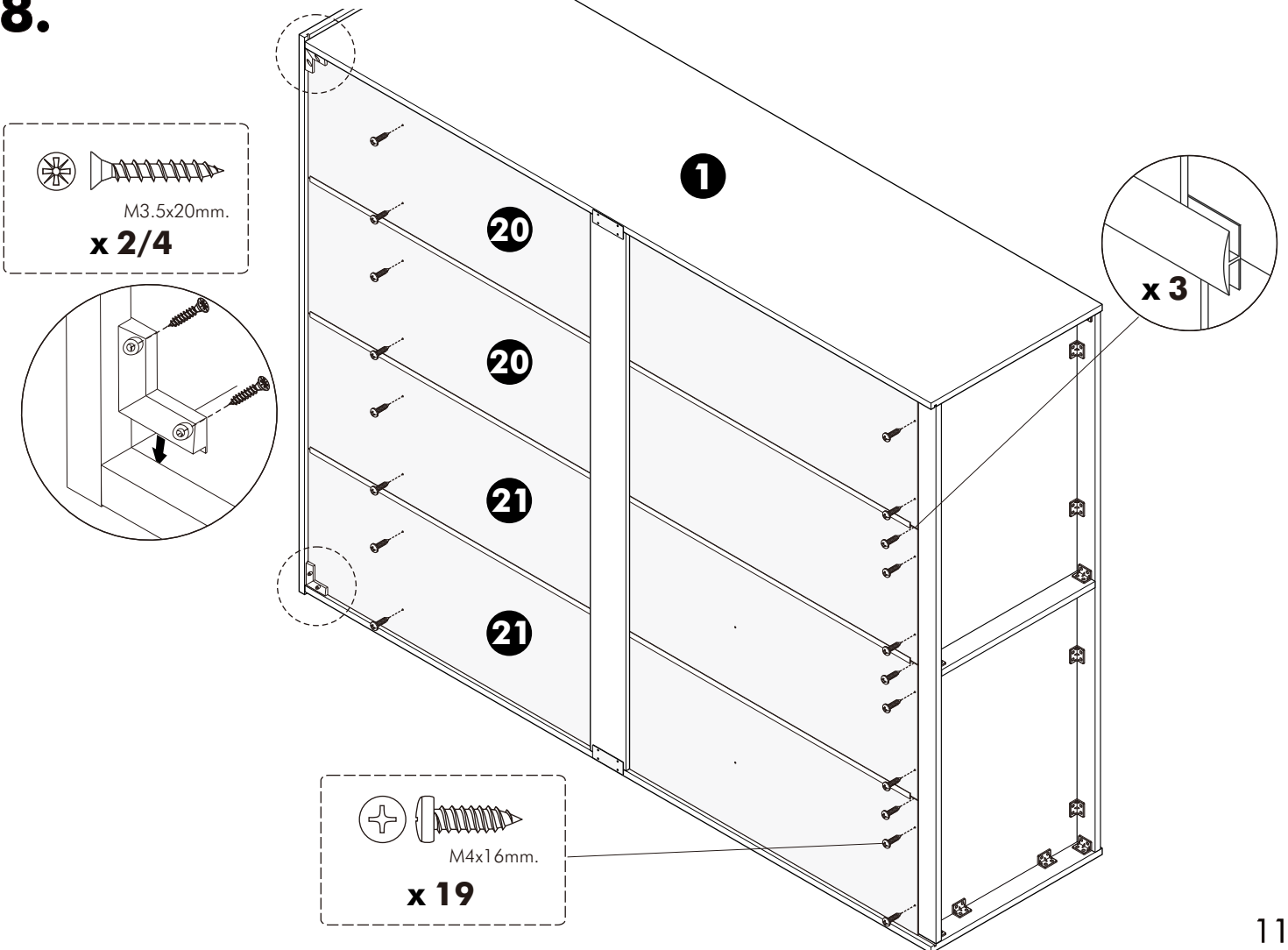
6.



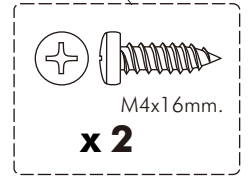
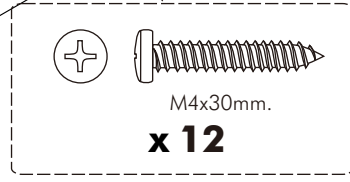
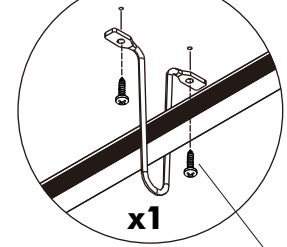
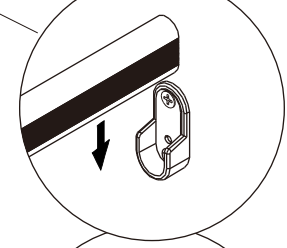
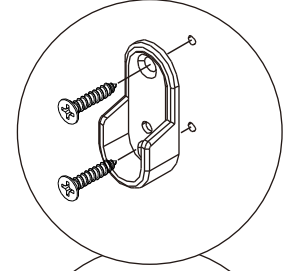
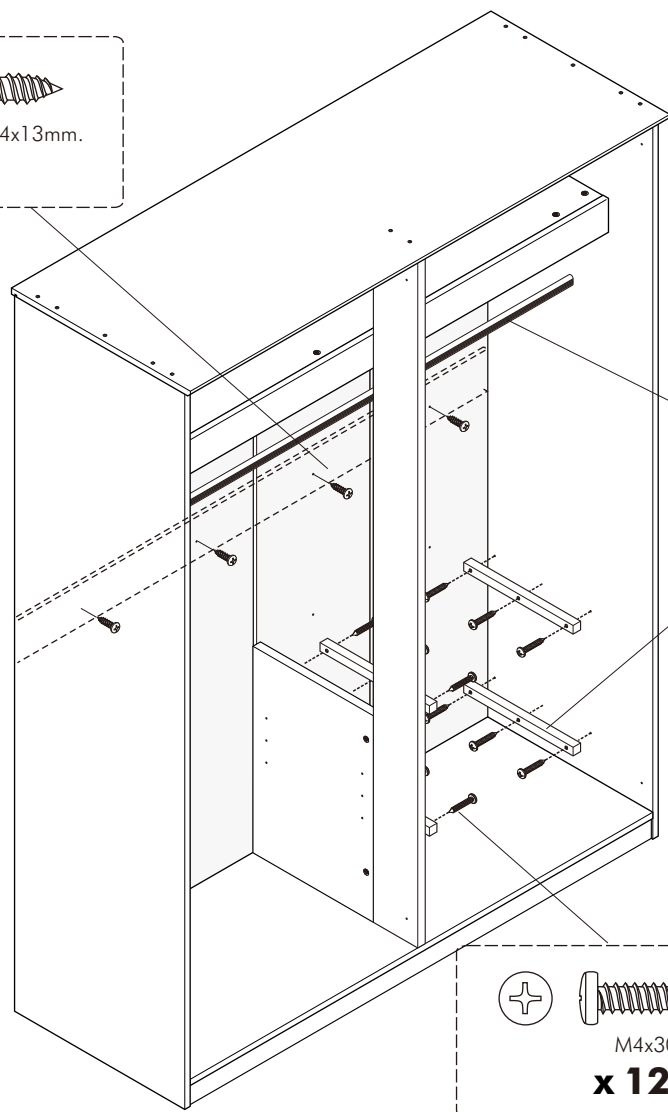
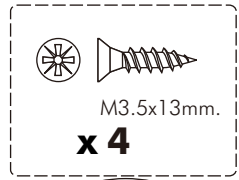
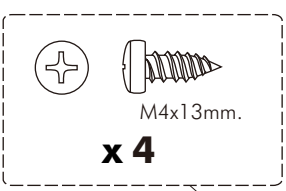
7.



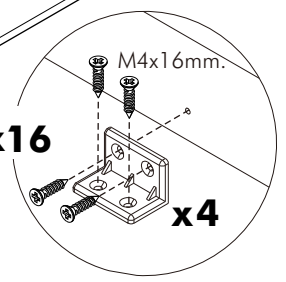
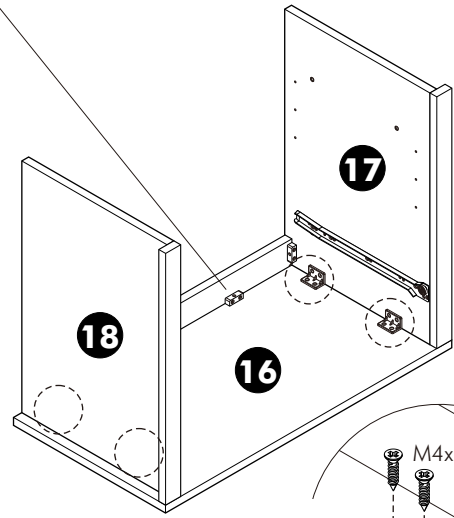
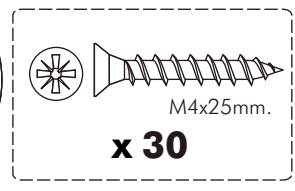
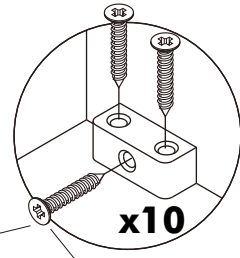
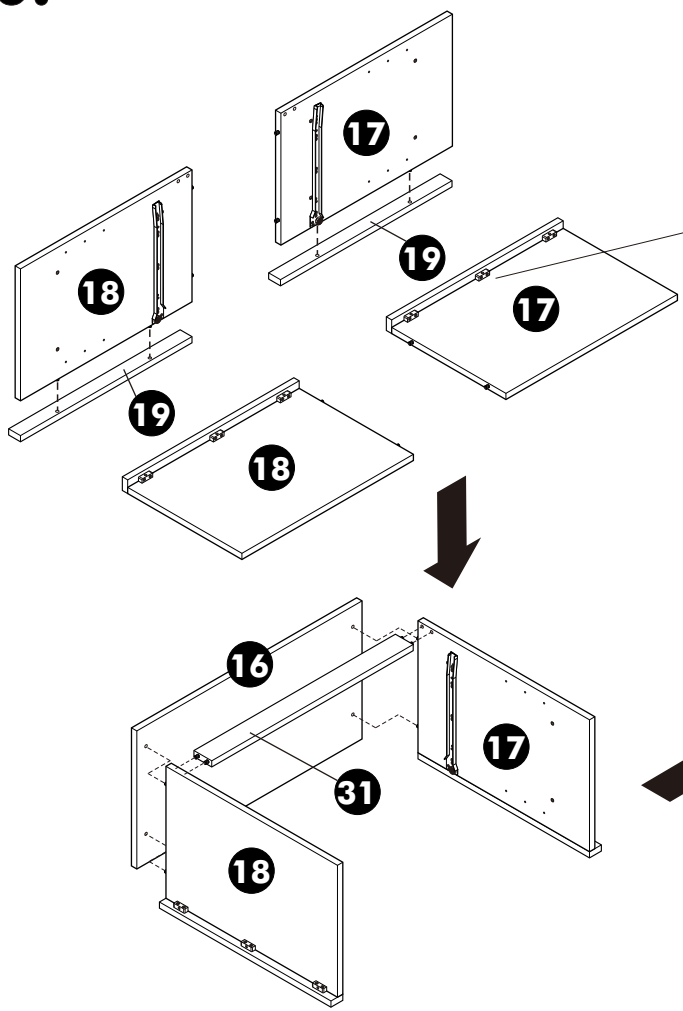
8.



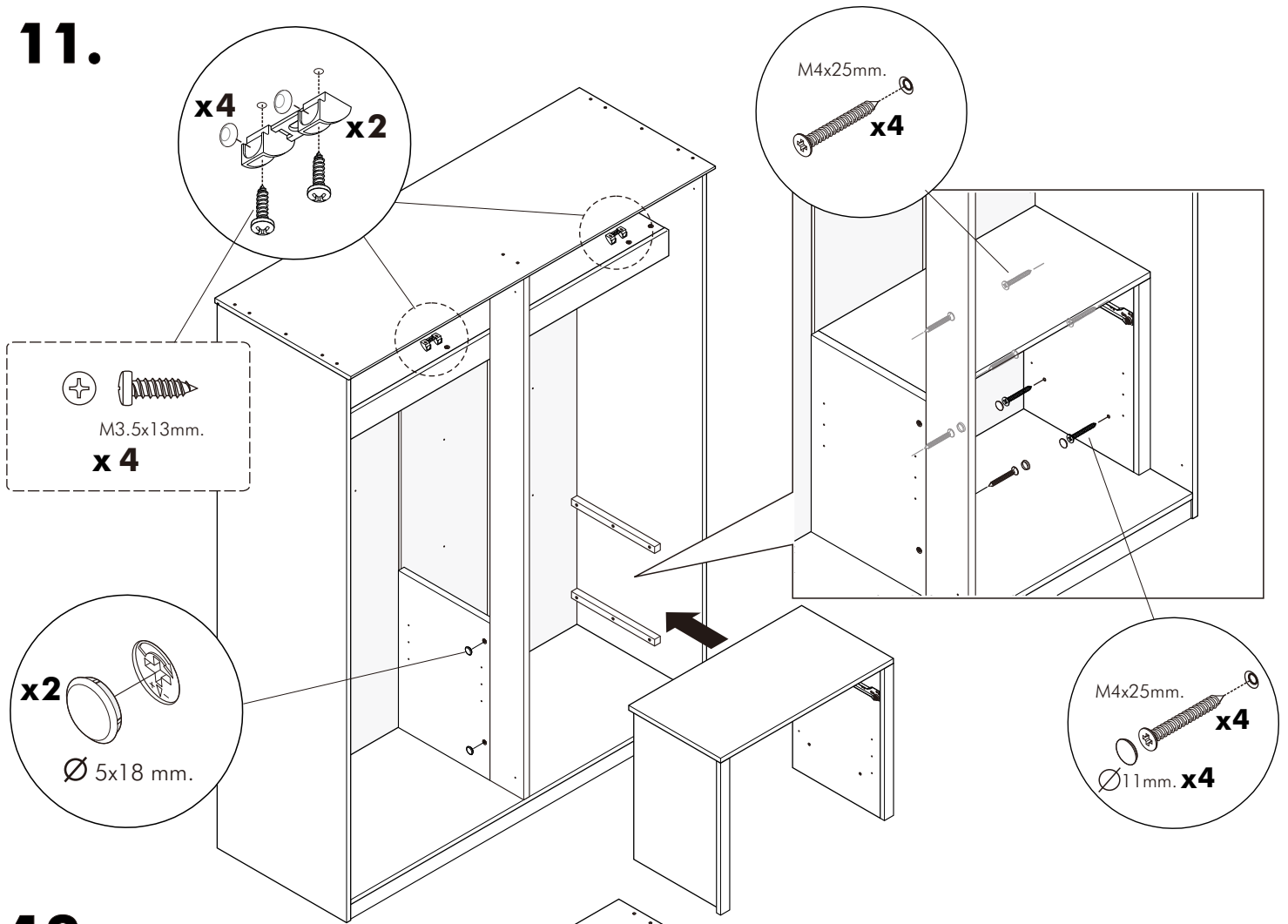
9.



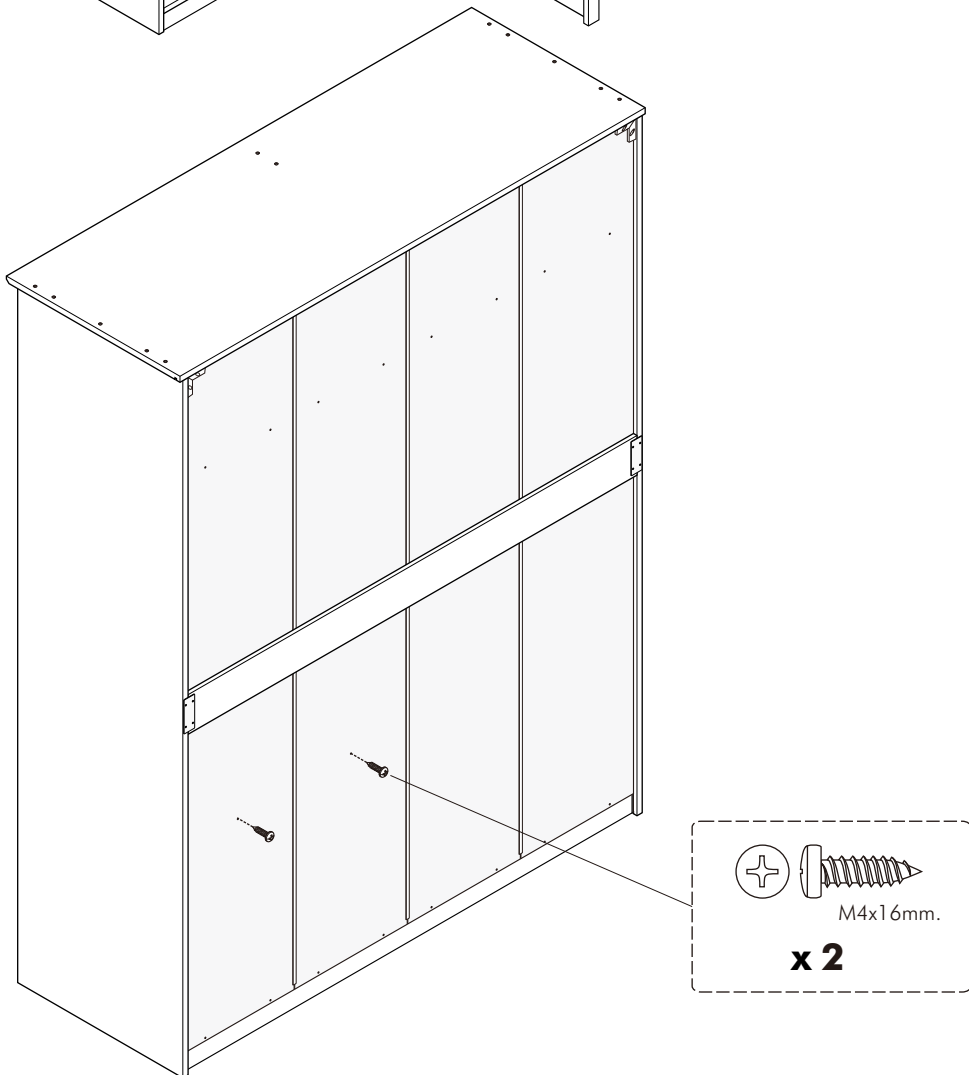
10.



11.

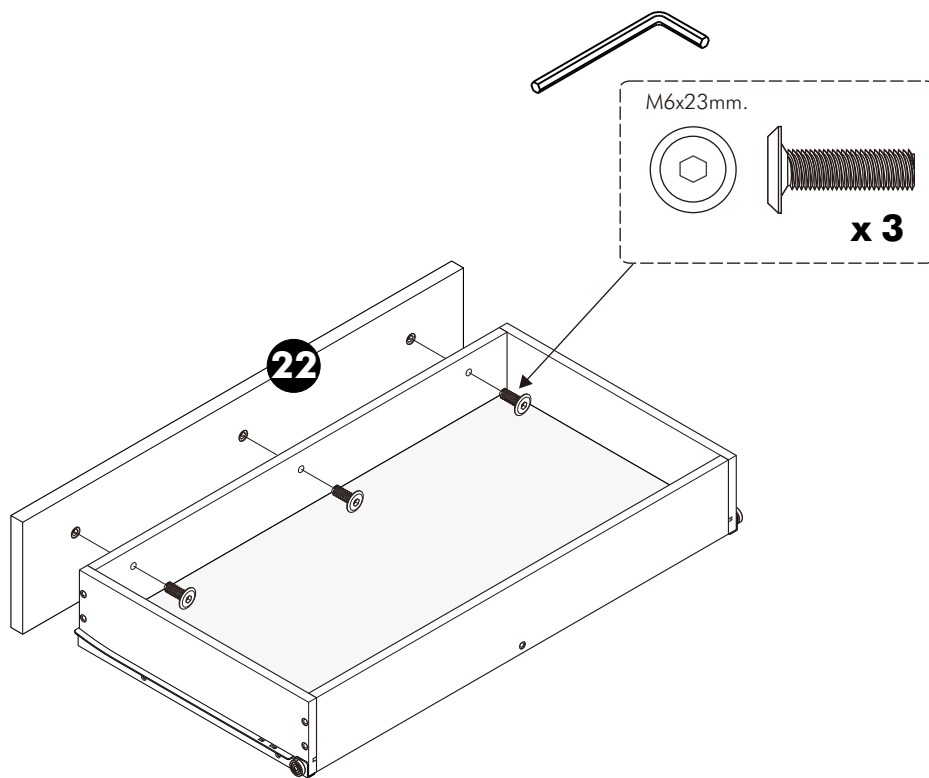
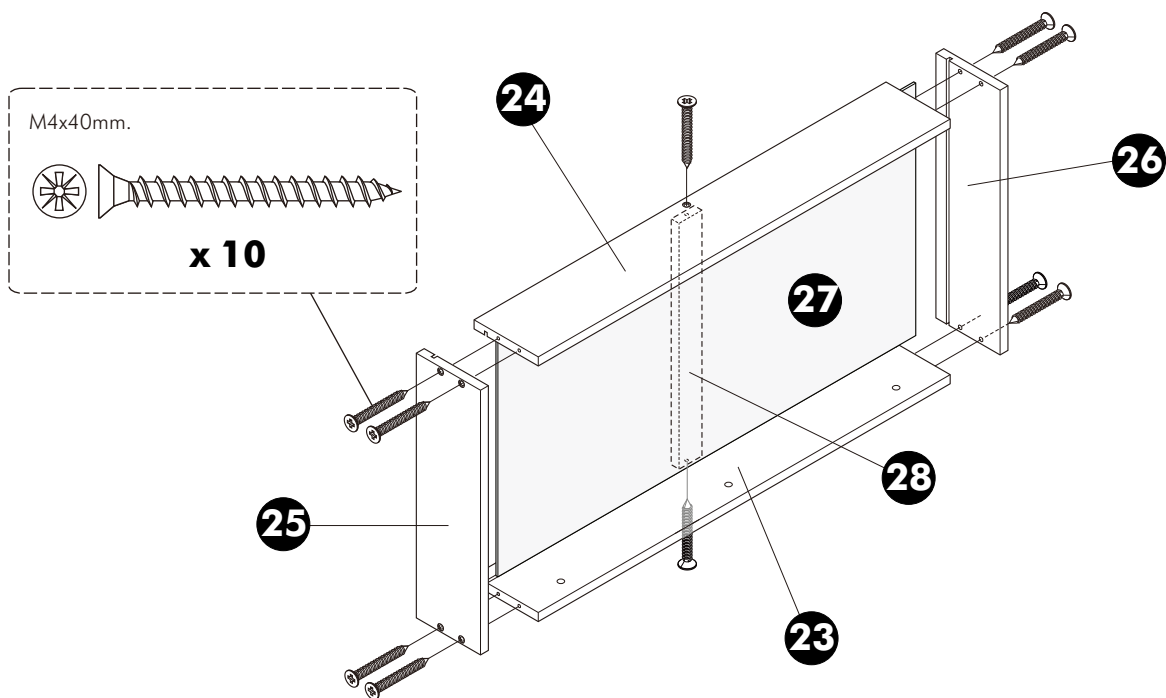


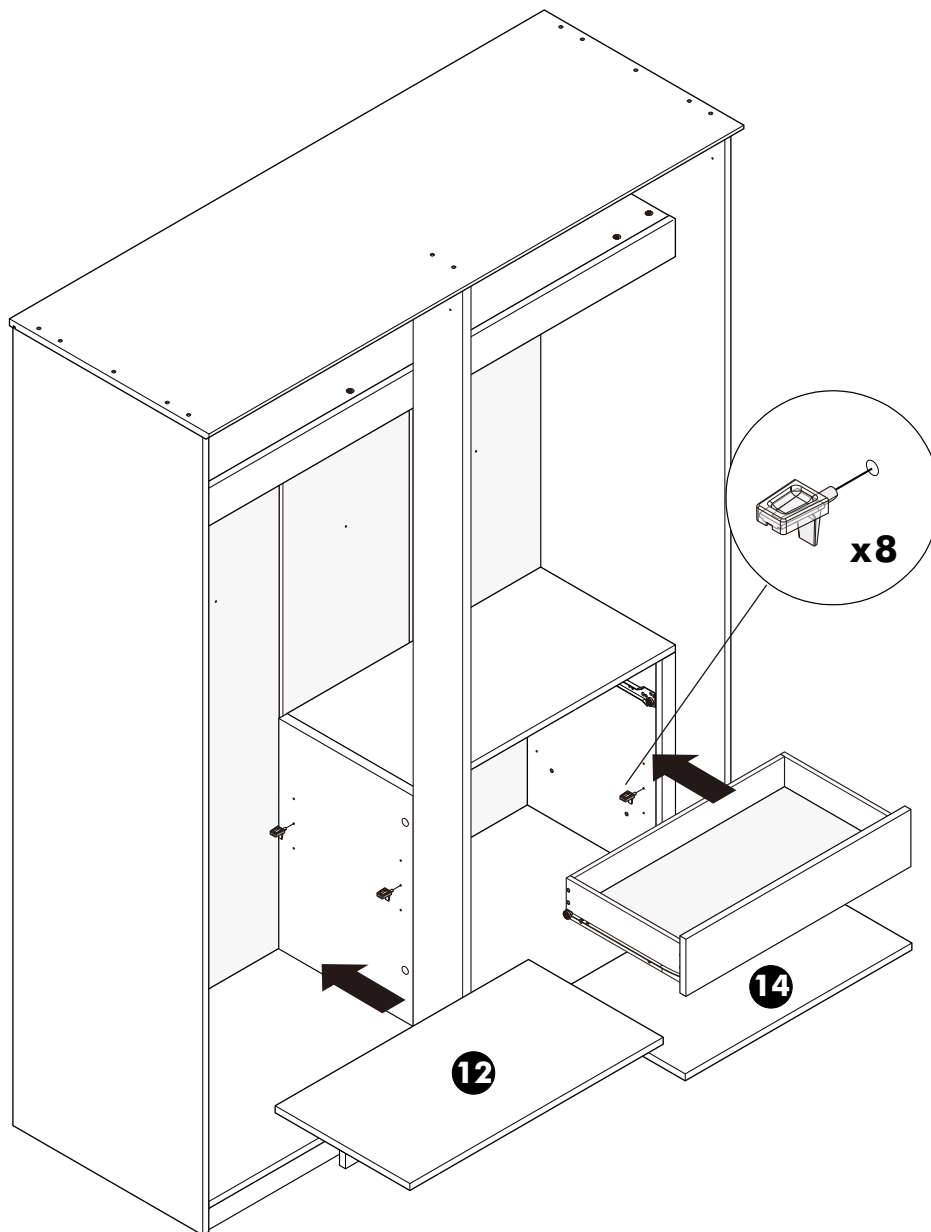
12.



ASSEMBLY

-DRAWER SET

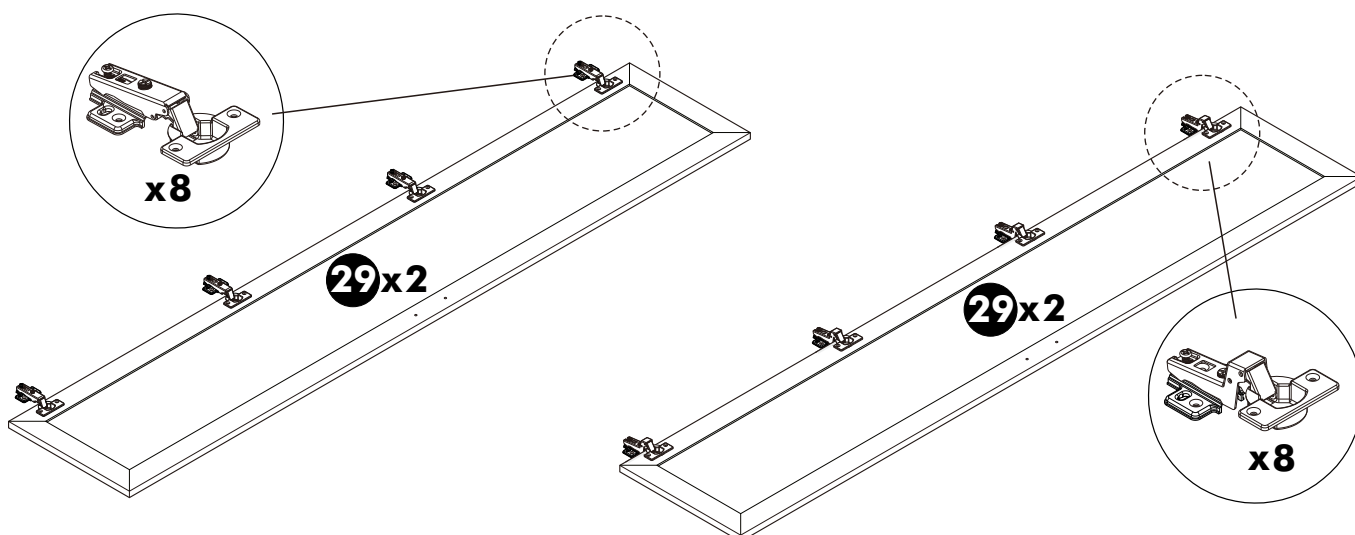




ASSEMBLY

-DOOR SET

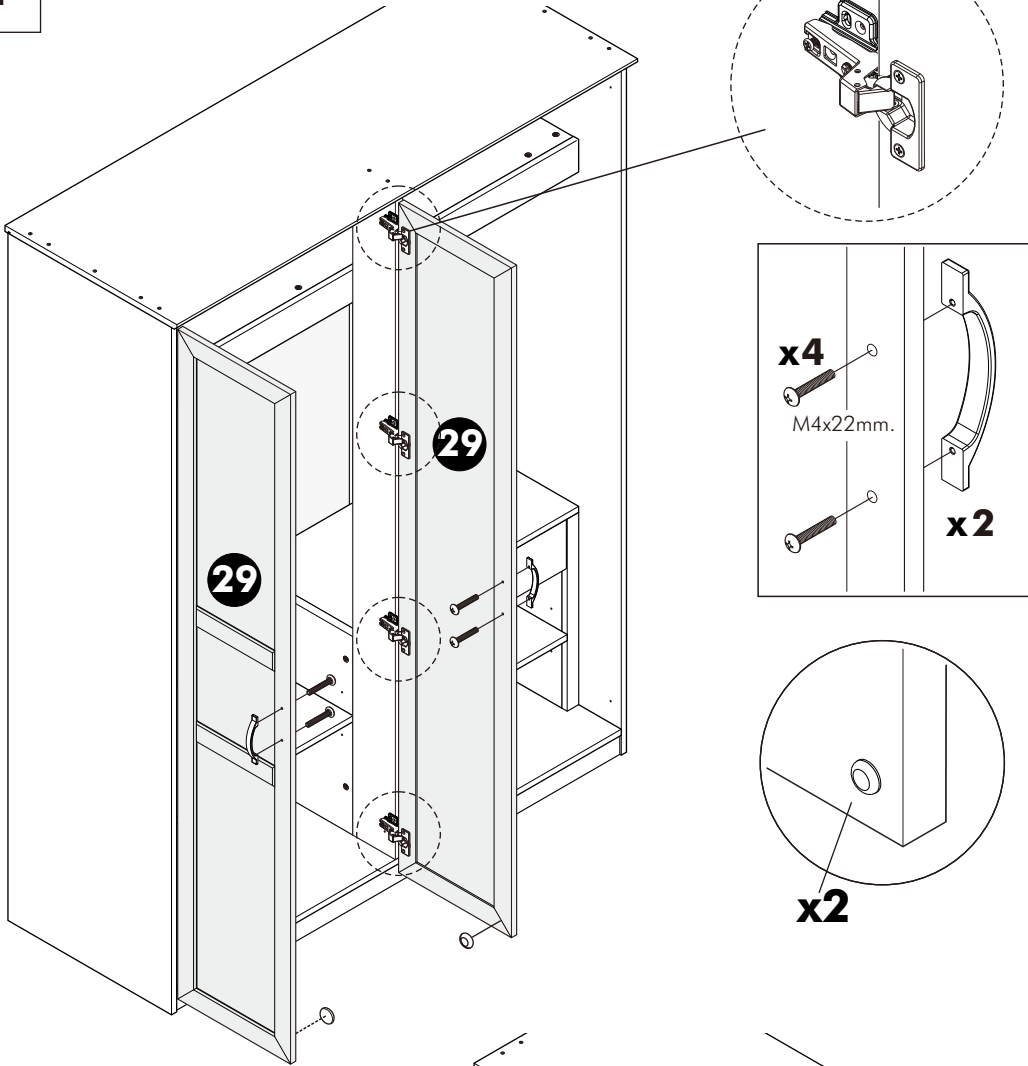
1.



ASSEMBLY

-DOOR SET

2.



3.

