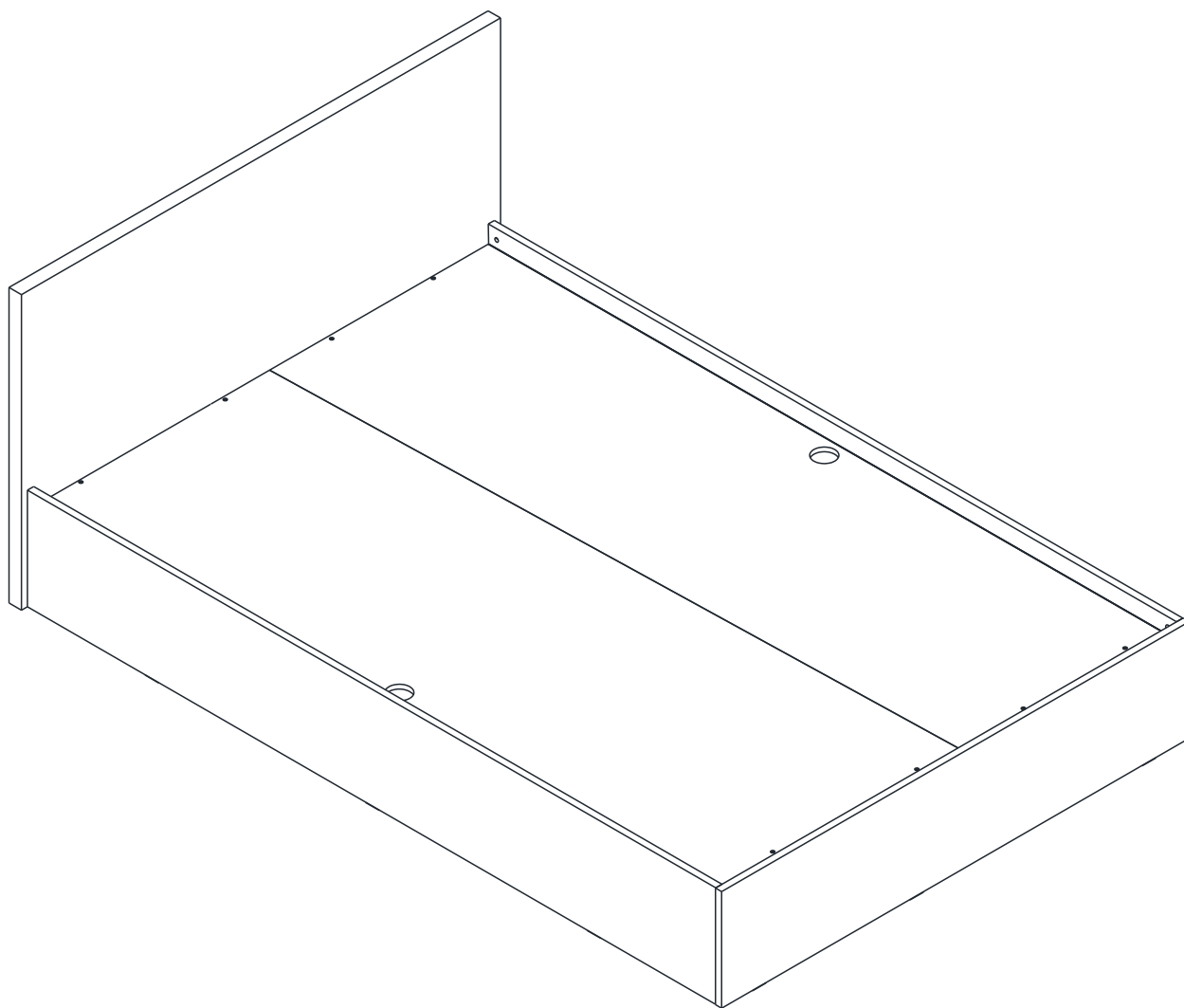


VINCE

BED 3.5 FT.



CONNECT SYSTEM

1

3

2

(Connecting bolts)

WHEN FITTING CAMS
 ENSURE STARTING POSITION IS CORRECT
 BEFORE YOU INSERT CONNECTING BOLT
 TURN CLOCKWISE UNTIL SECURE

✓				✗
↑				
CORRECT		WRONG		

M4x16mm.

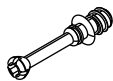
i

40mm.

EQ

HARDWARE

-BODY SET

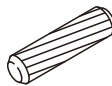


x 4



19 mm.

x 4



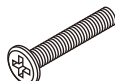
Ø8*35

x 8



C/B P+4x16

x 18



TF+M6x45

x 2



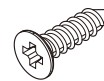
#M6

x 2



#M6

x 2



M4x16mm.

x 24



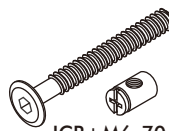
C/B F+M4x30

x 38



No.10

x 1



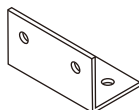
JCB+M6x70

x 6

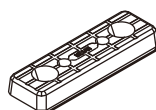


No.1

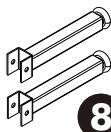
x 2



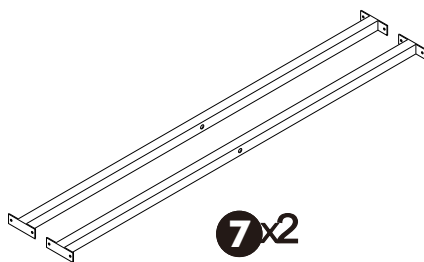
x 2



x 12



8x2

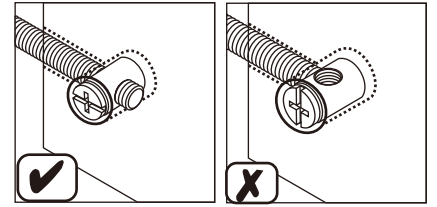
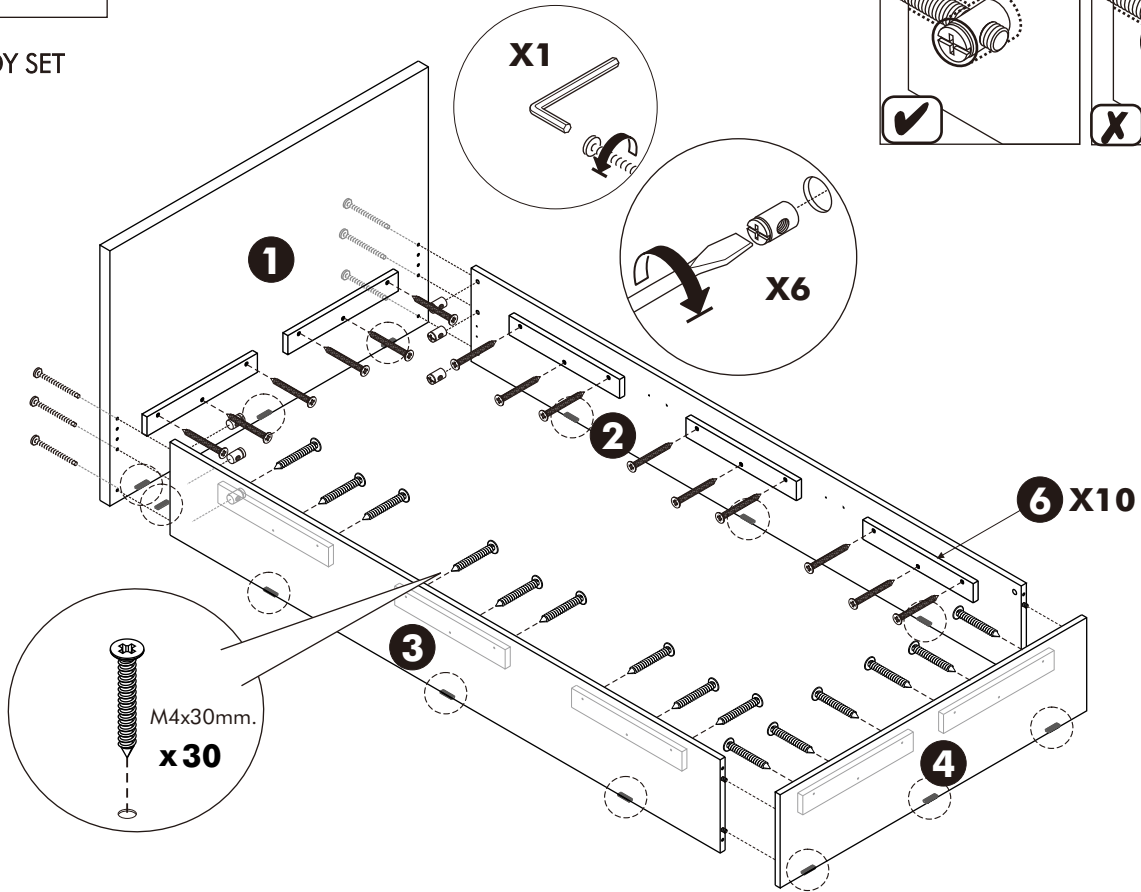


7x2

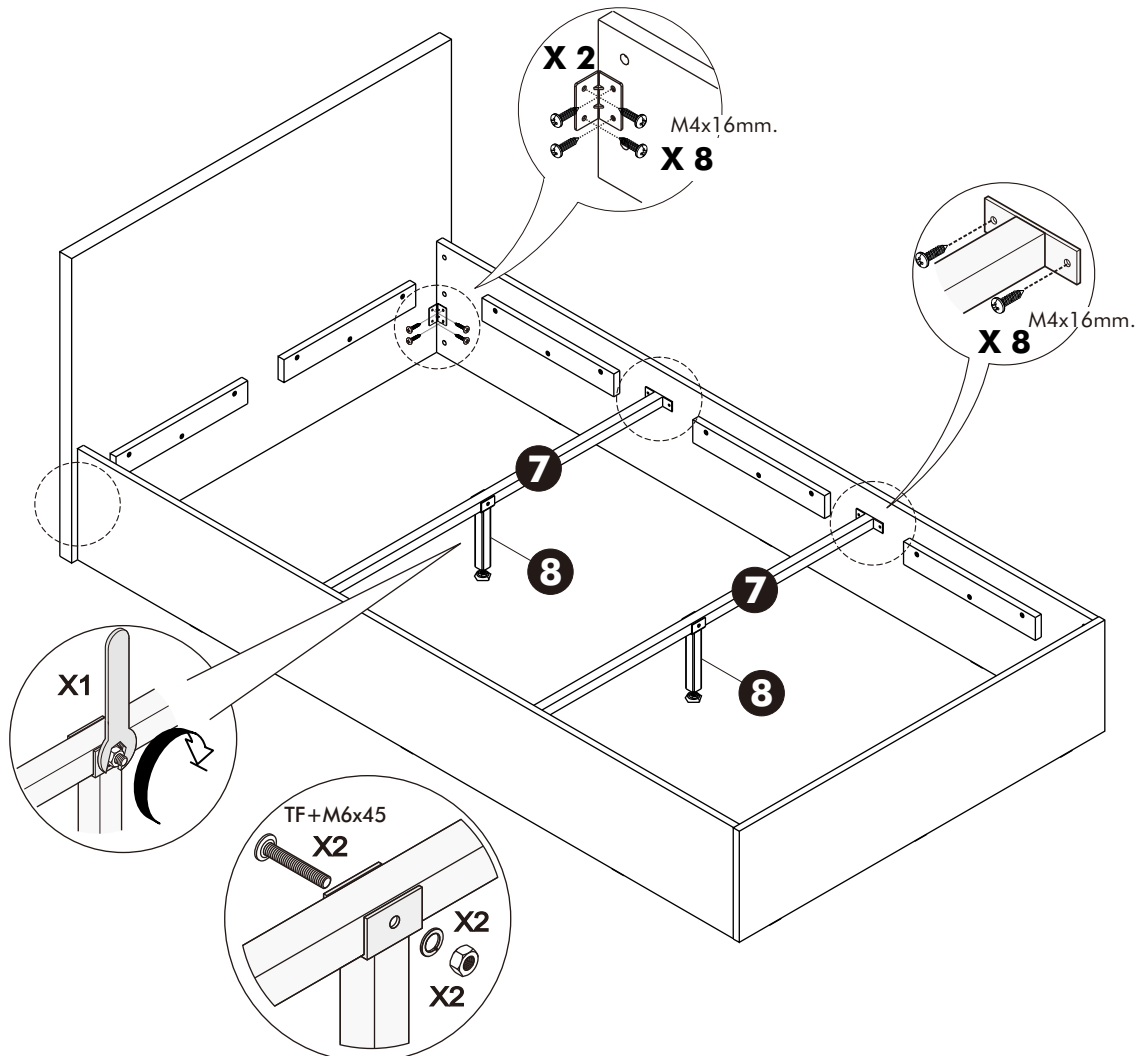
ASSEMBLY

-BODY SET

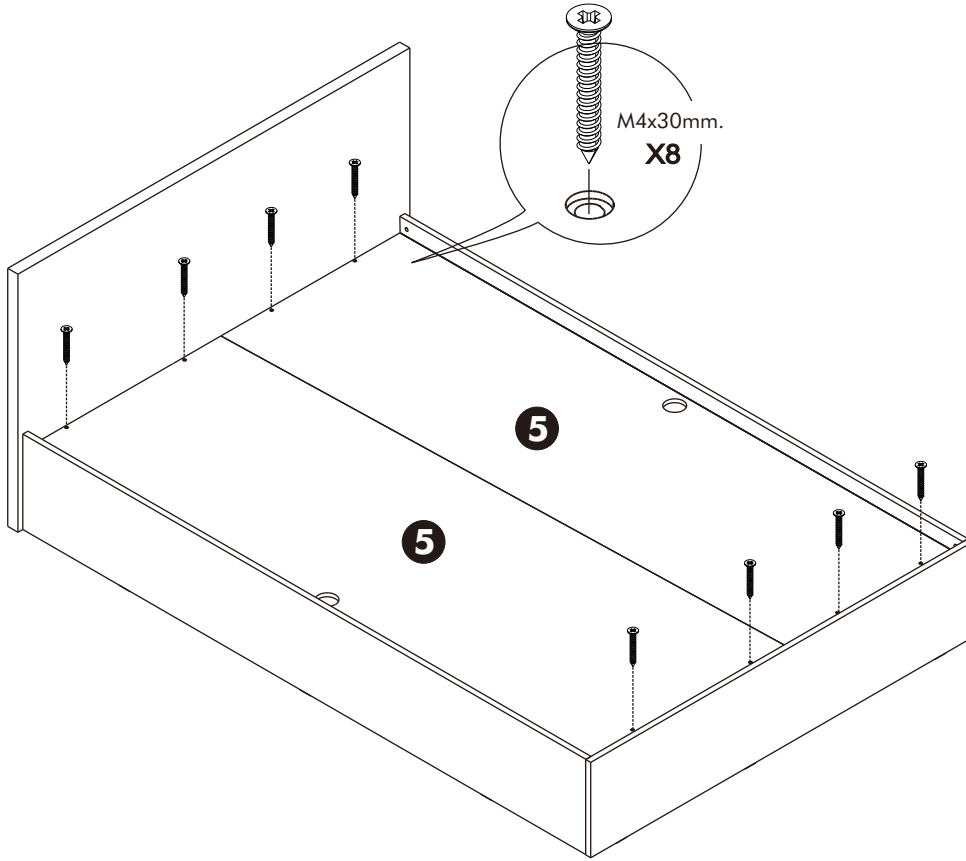
1.



2.



3.



4.

