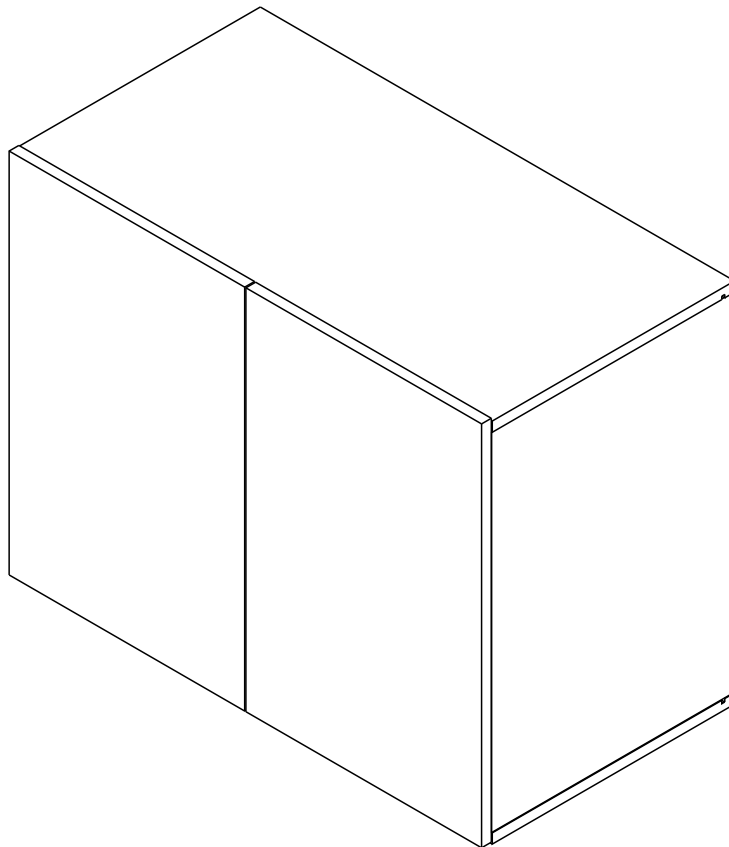


# SMART FLEX

**Open Cabinet 80 cm.**



# CONNECT SYSTEM

**1**

**3**

**2**

(Connecting bolts)

**WHEN FITTING CAMS**  
ENSURE STARTING POSITION IS CORRECT  
BEFORE YOU INSERT CONNECTING BOLT  
TURN CLOCKWISE UNTIL SECURE

✓

↑

**CORRECT**

✗

↓

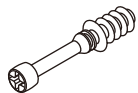
**WRONG**

M3.5x20mm.

M4x16mm.

# HARDWARE

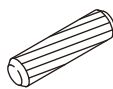
## -BODY SET



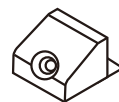
**x 4**



**x 4**



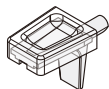
**x 15**



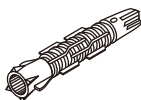
**x 4**



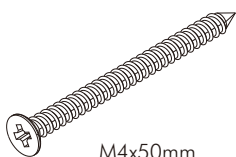
**x 4**



**x 4**

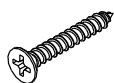


**x 3**



M4x50mm.

**x 4**



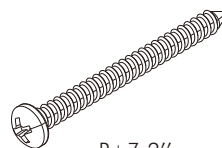
M3.5x20mm.

**x 4**



M4x30mm.

**x 4**



P+7x2"

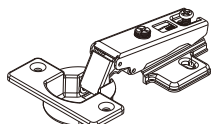
**x 3**



M4x16mm.

**x 2**

## -DOOR SET



**x 4**



**x 4**



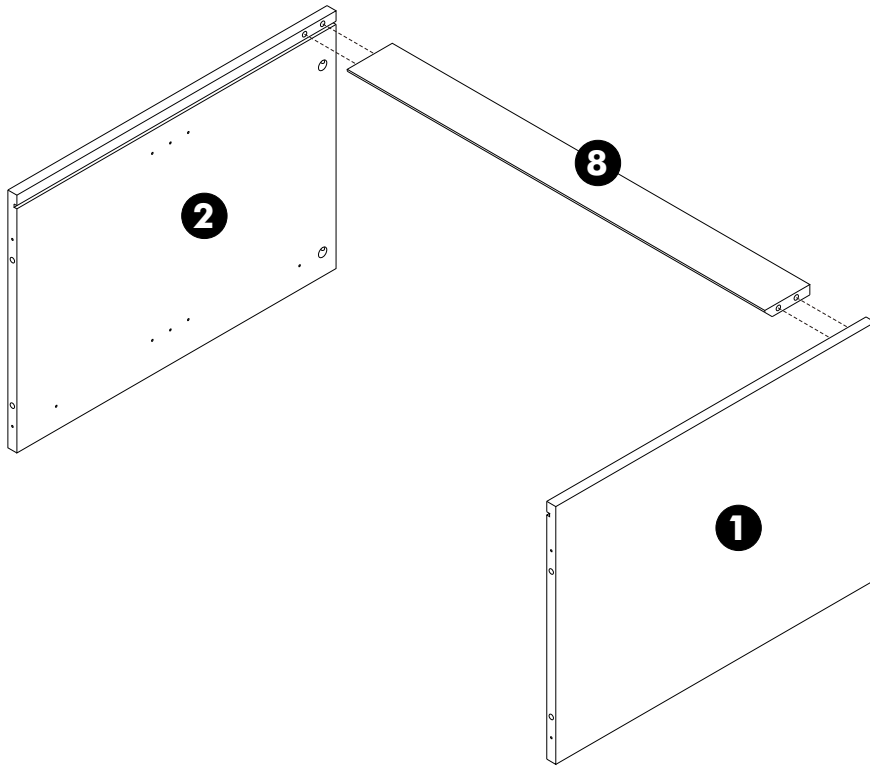
M4x16mm.

**x 24**

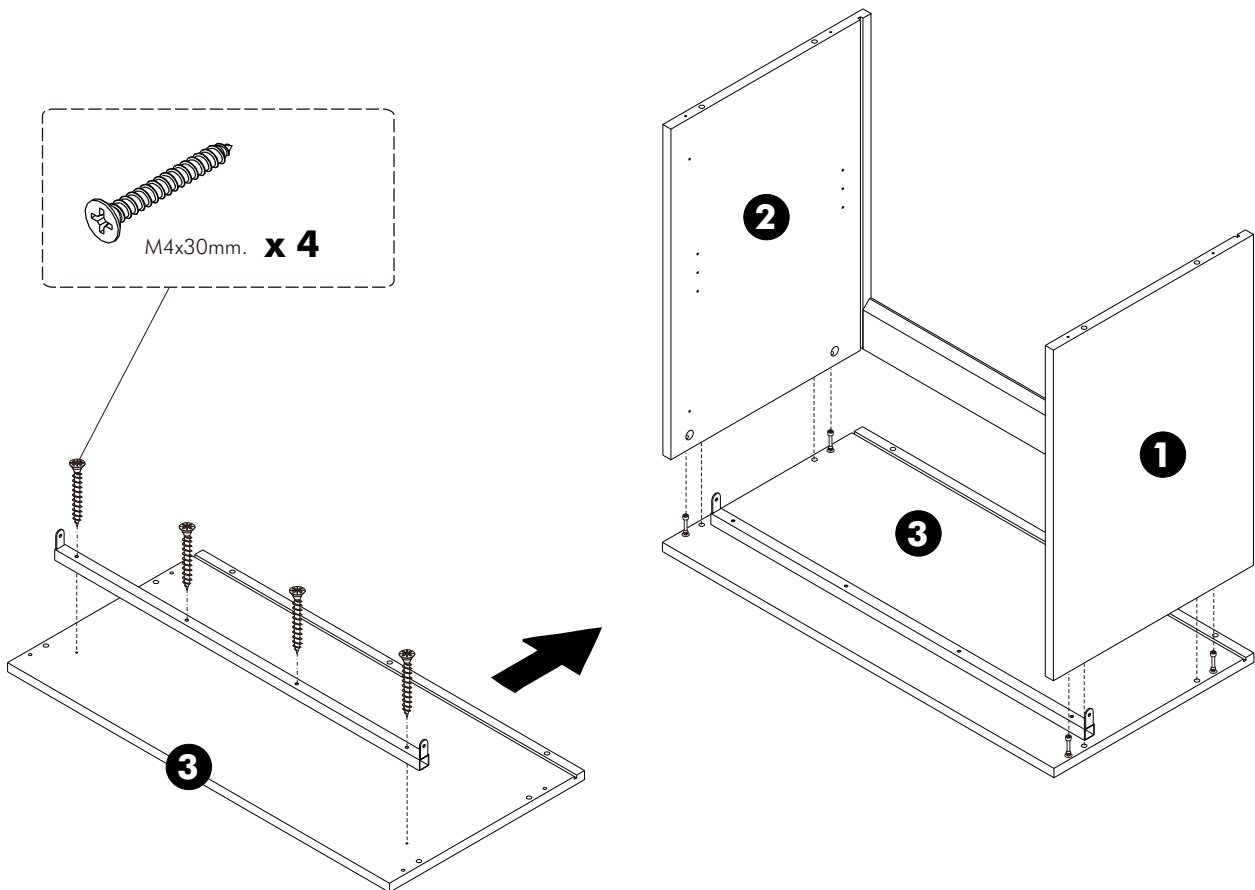
# ASSEMBLY

-BODY SET

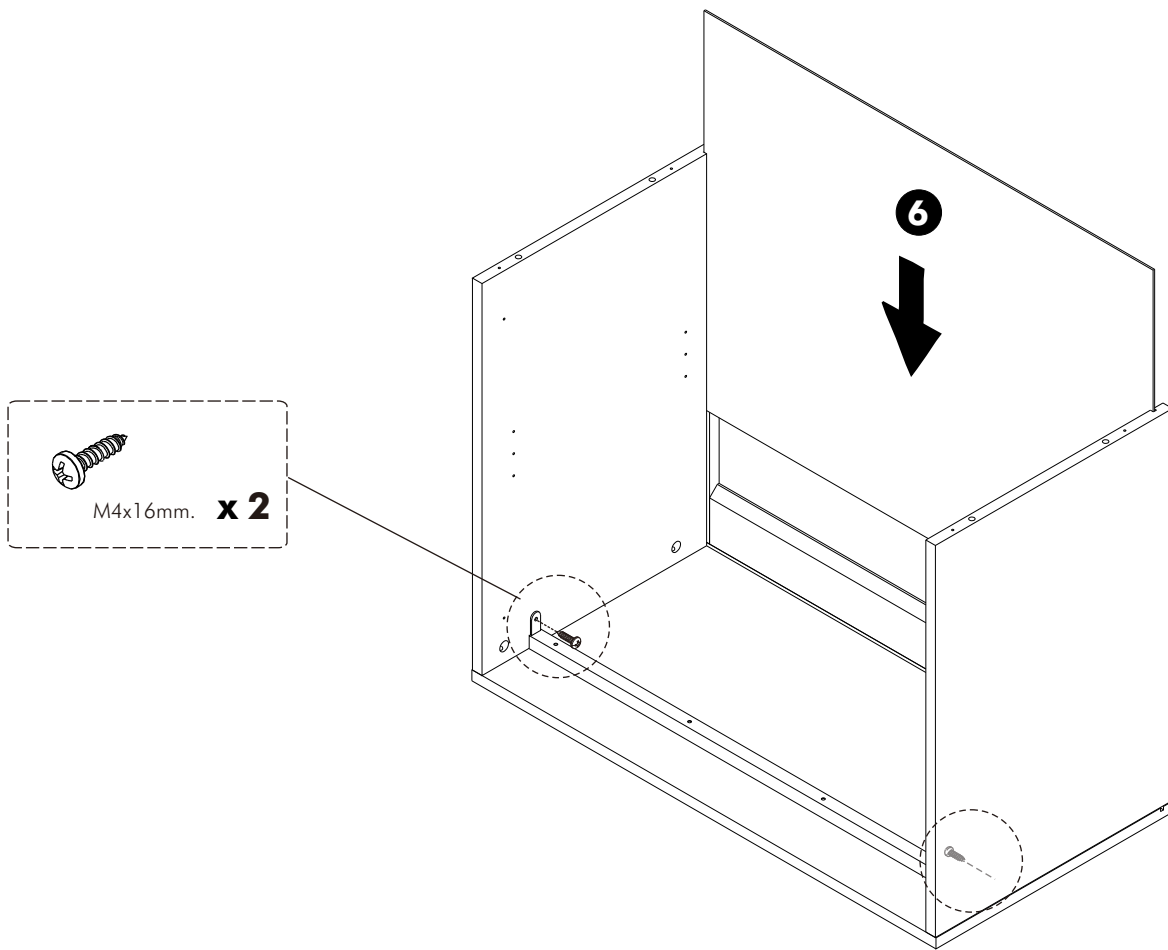
**1.**



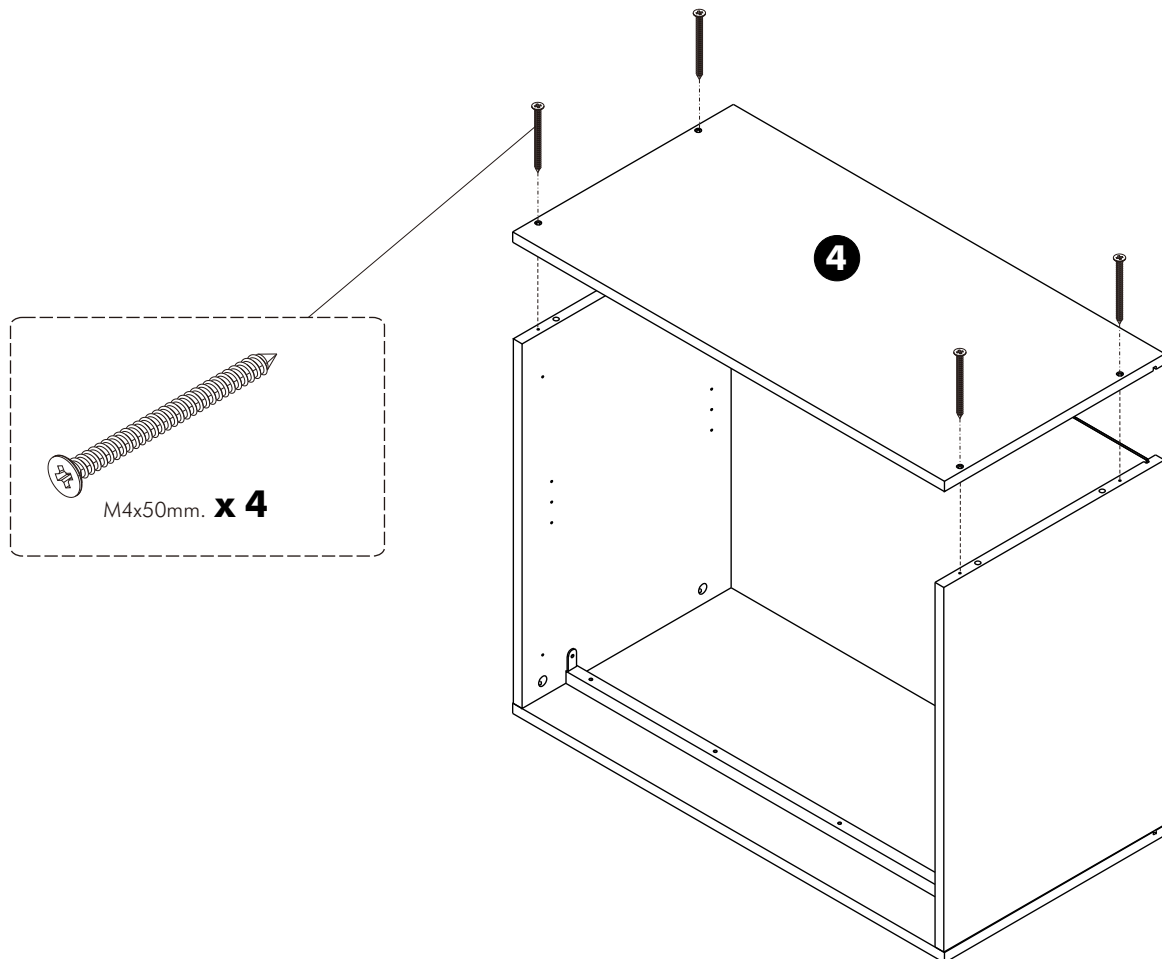
**2.**



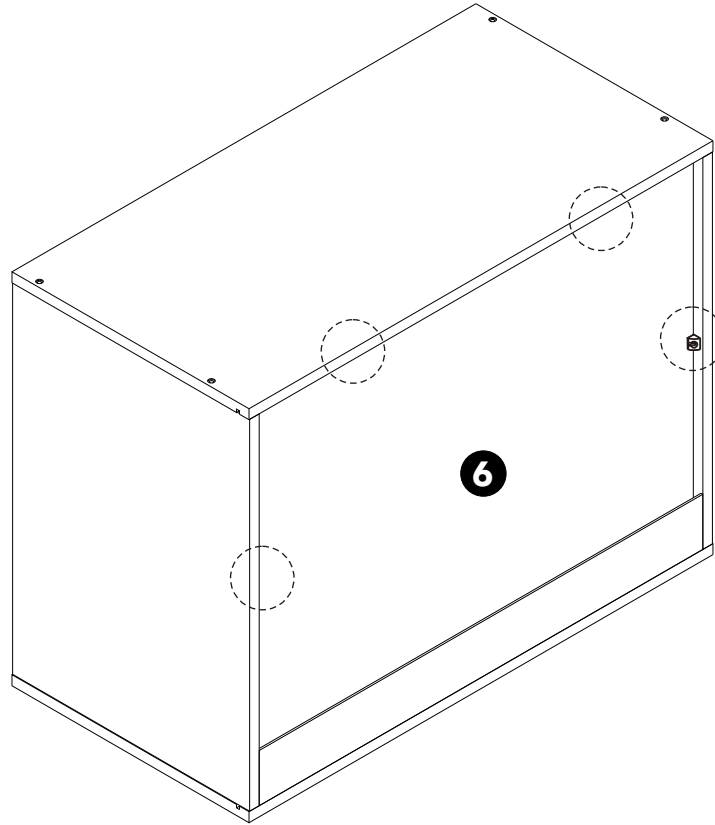
**3.**



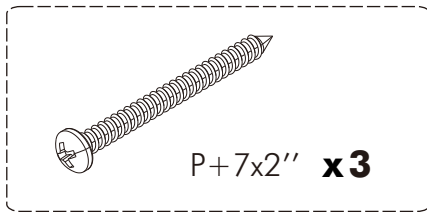
**4.**



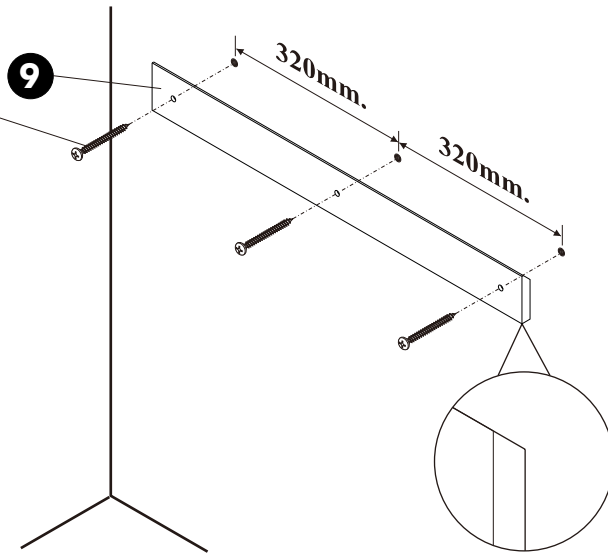
5.



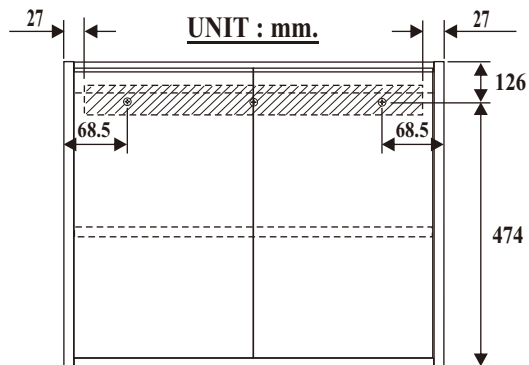
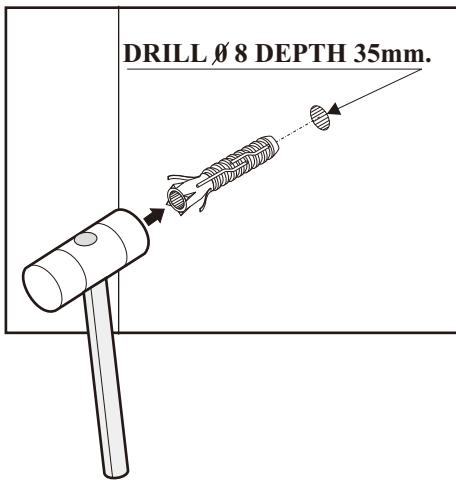
6.



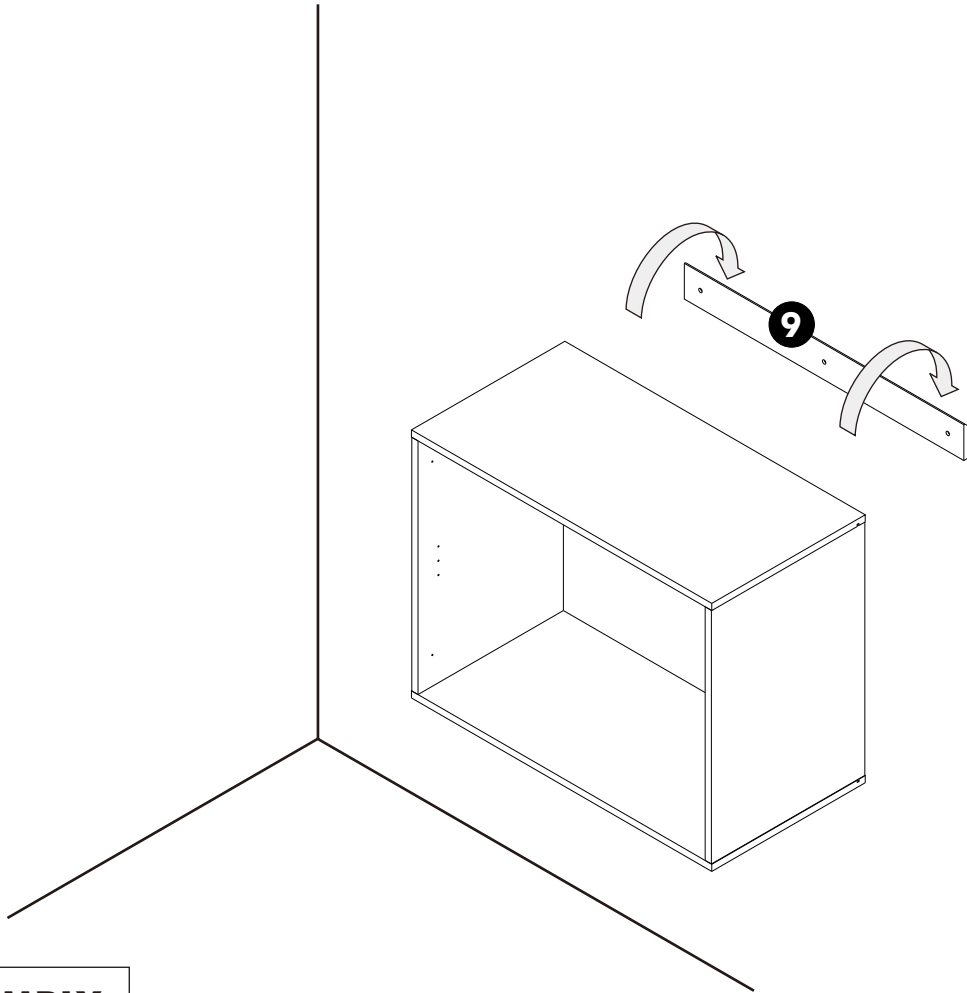
HANG ON THE WALL



FOR CONCRETE WALL



**7.**



**ASSEMBLY**

-DOOR SET

**8.**

