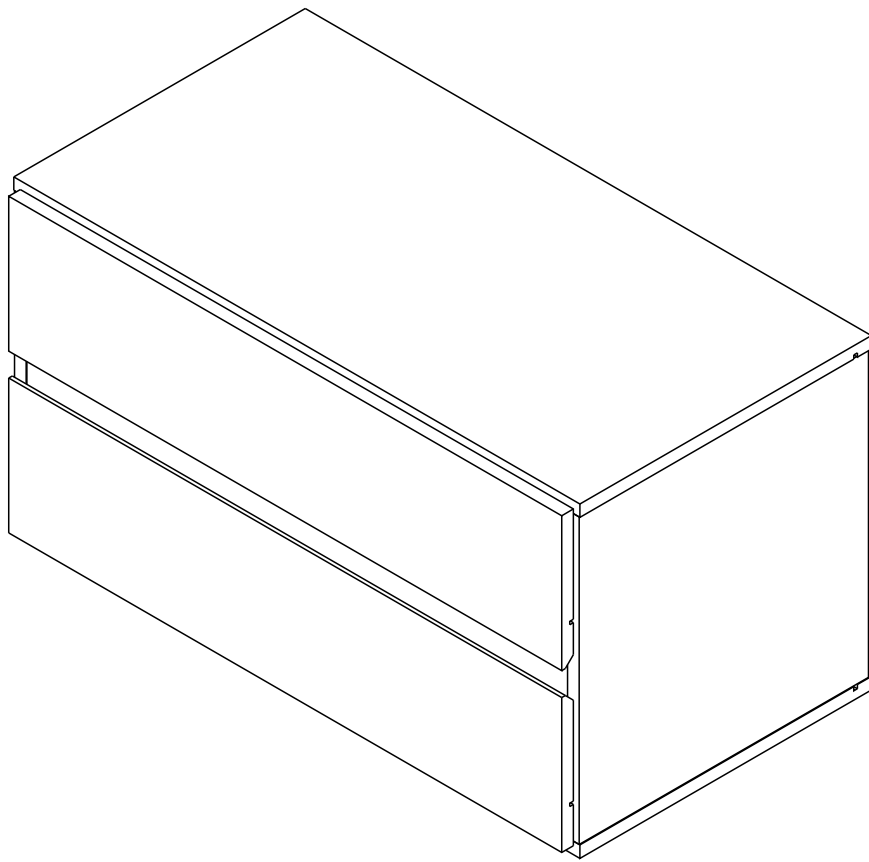
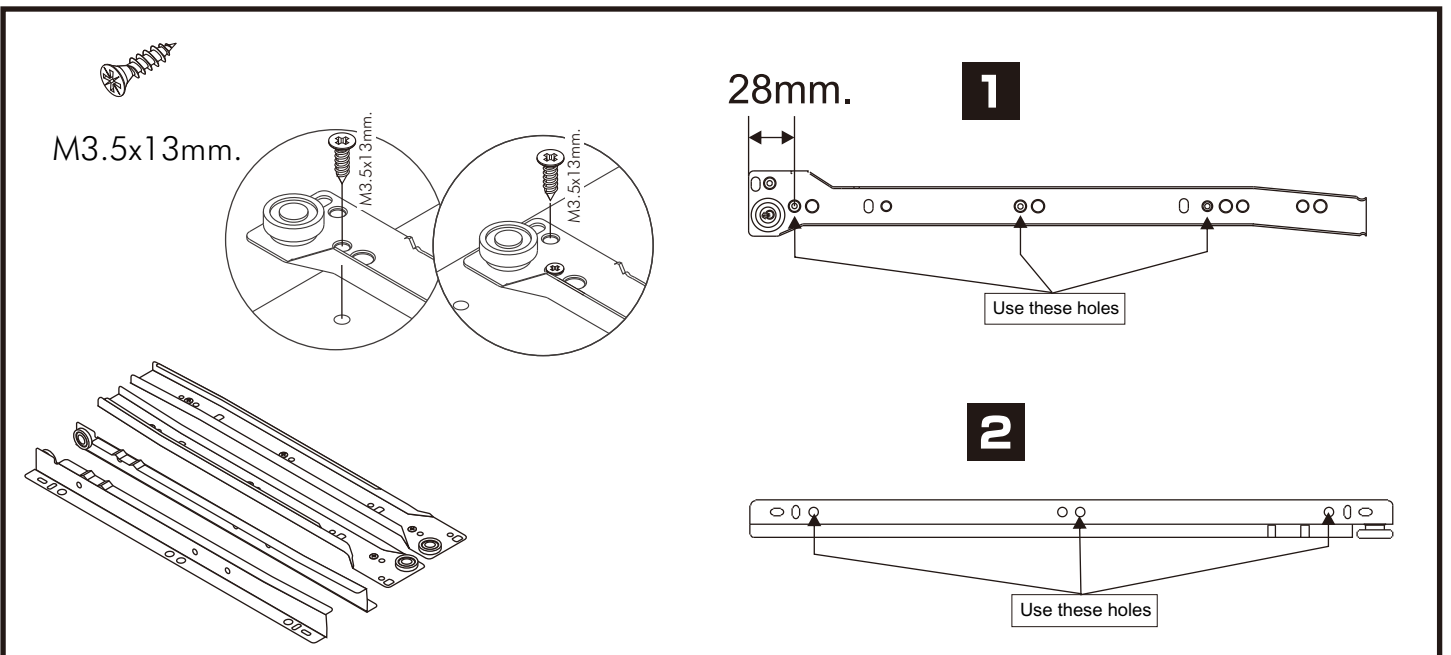
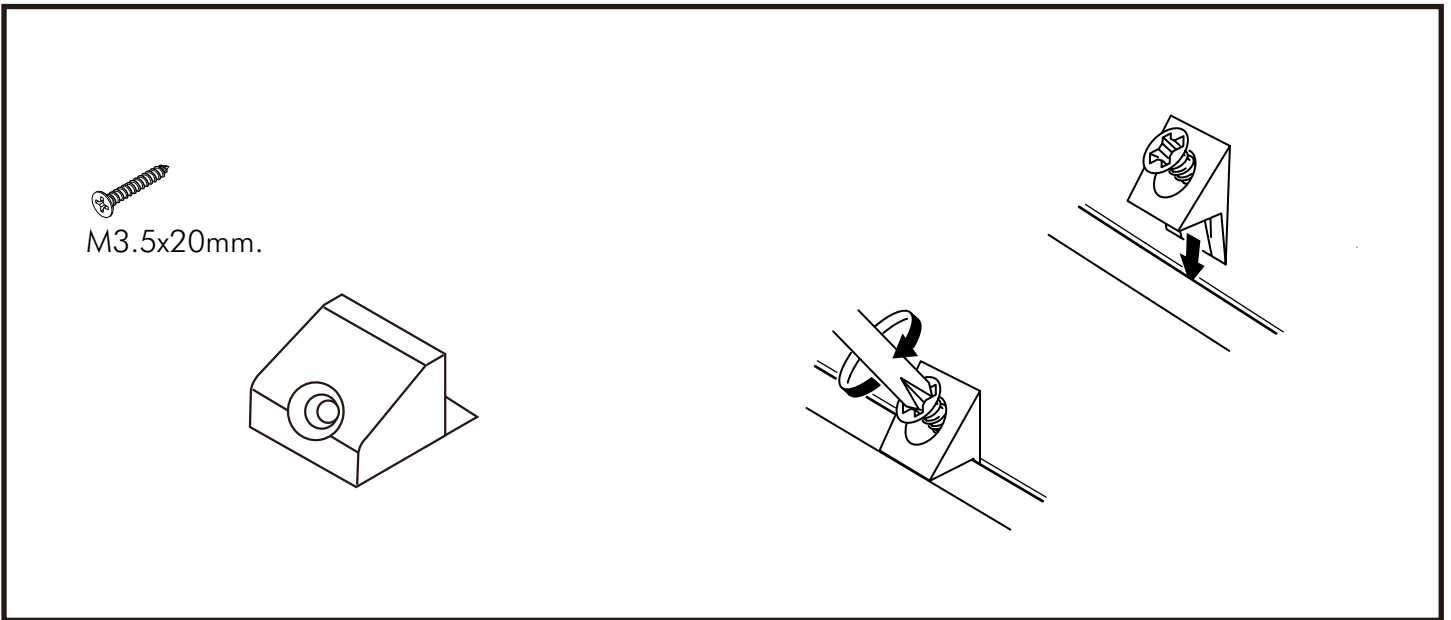
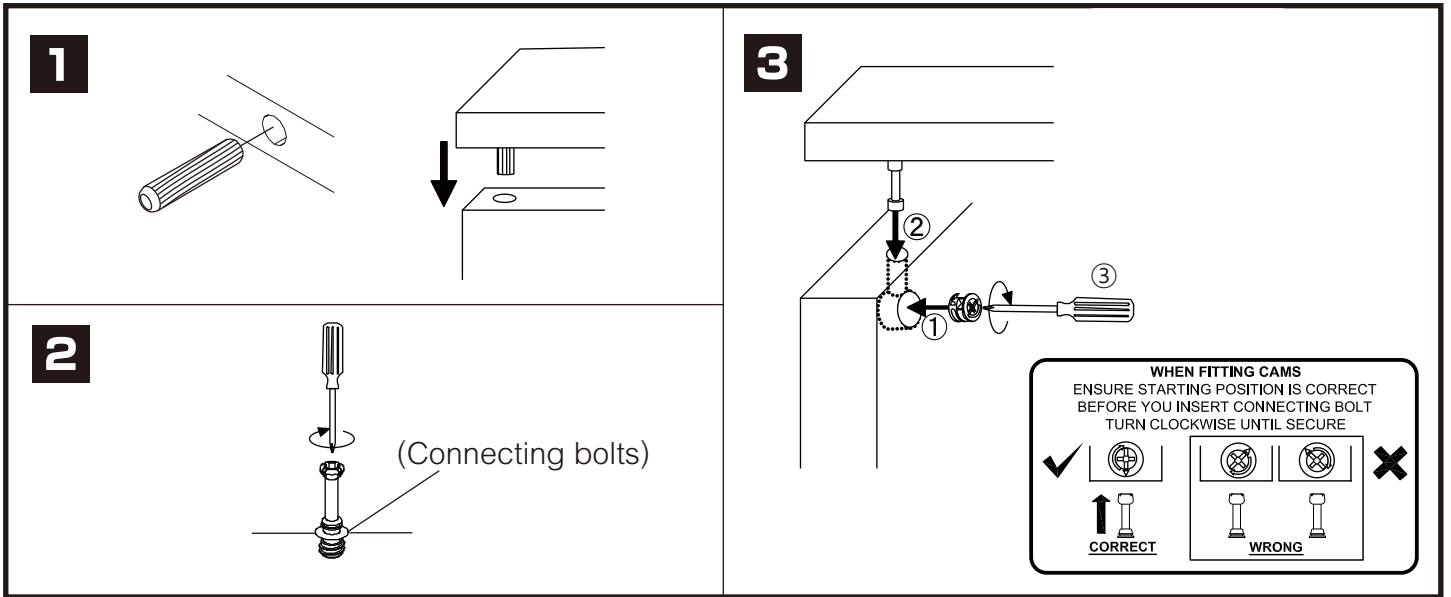


SMART FLEX

Drawers Cabinet 80 cm.

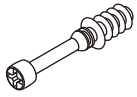


CONNECT SYSTEM



HARDWARE

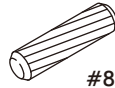
-BODY SET



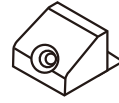
x 10



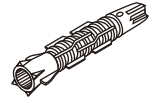
x 6



#8x35
x 17



x 4

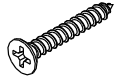


x 3



M4x50mm.

x 4



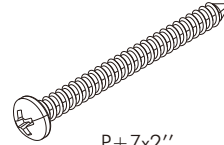
M3.5x20mm.

x 4



M4x30mm.

x 4



P+7x2"

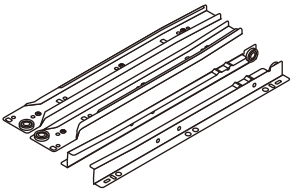
x 3



M4x16mm.

x 2

-DRAWER SET

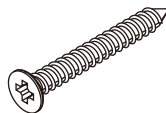


x 2



M3.5x13mm.

x 28



M4x40mm.

x 8



#6x35

x 16

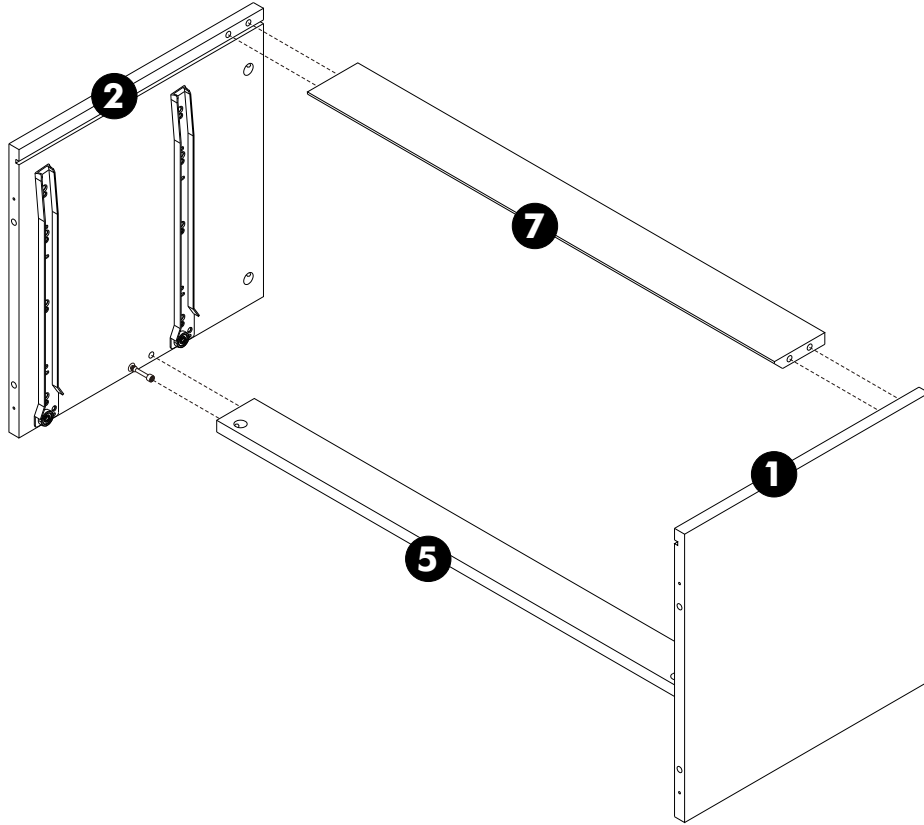


x 4

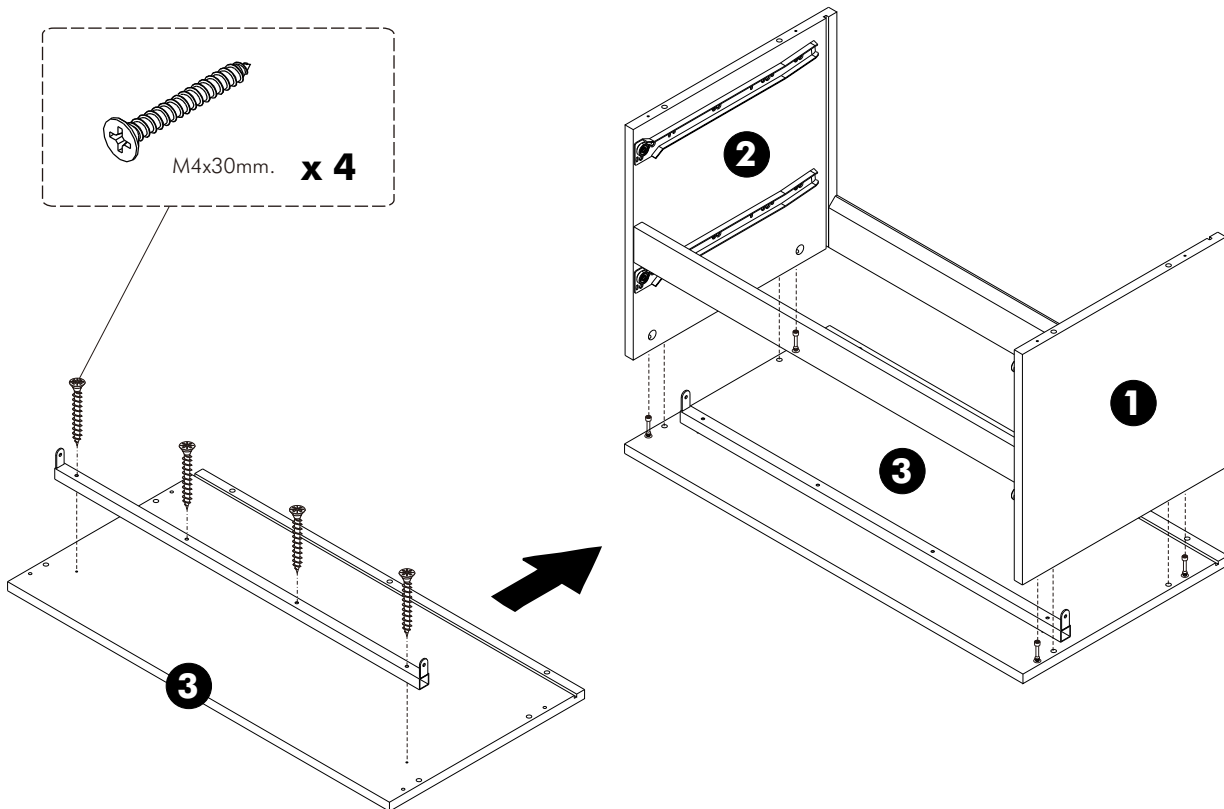
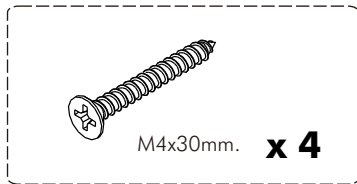
ASSEMBLY

-BODY SET

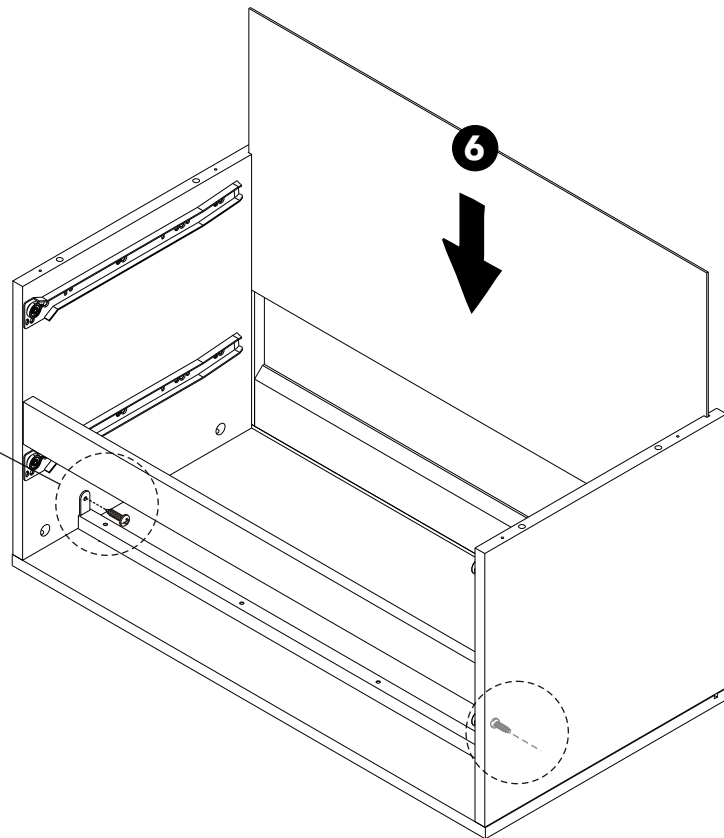
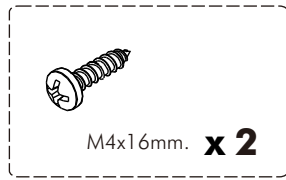
1.



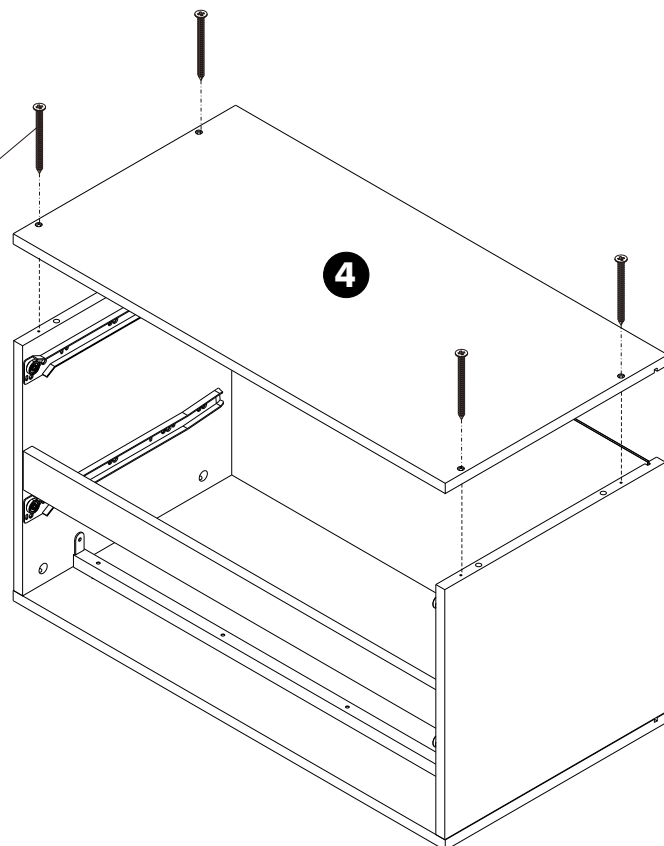
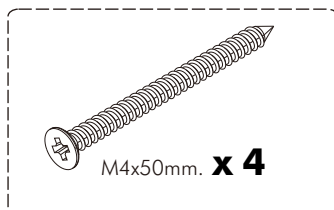
2.



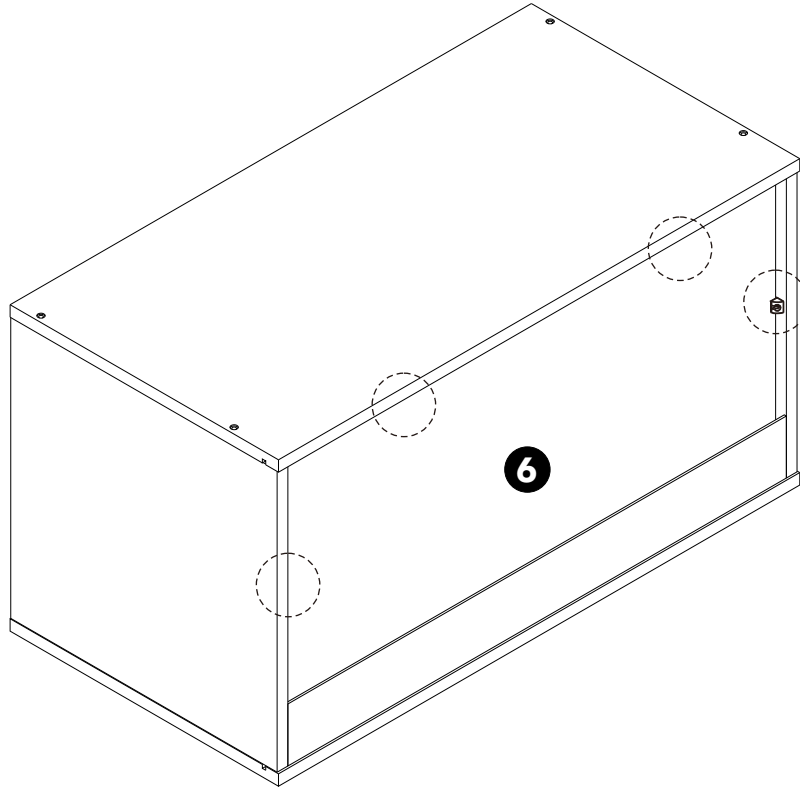
3.



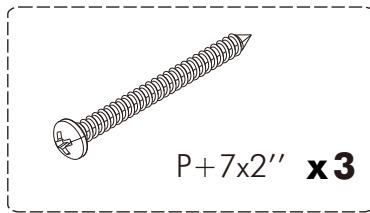
4.



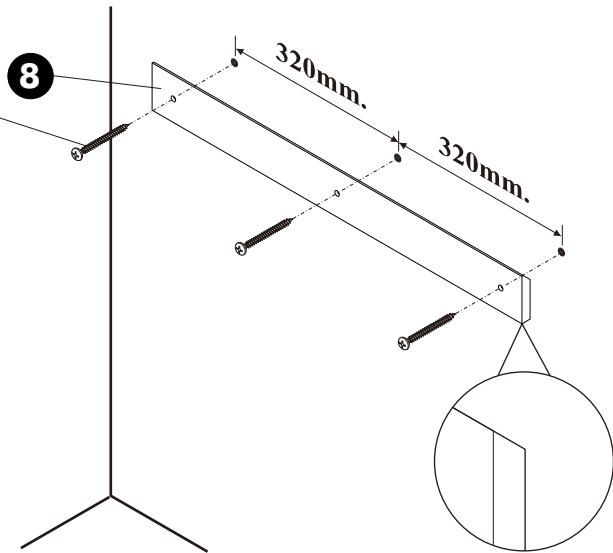
5.



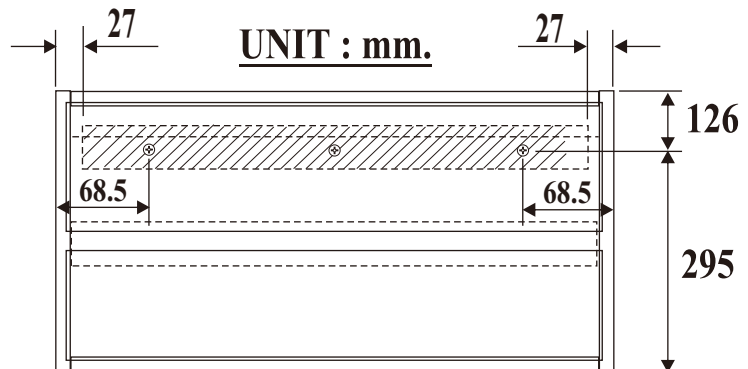
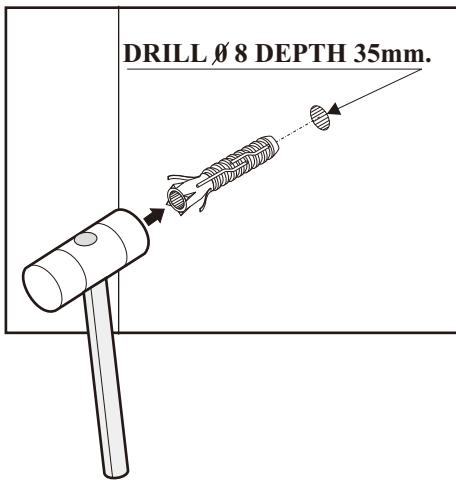
6.



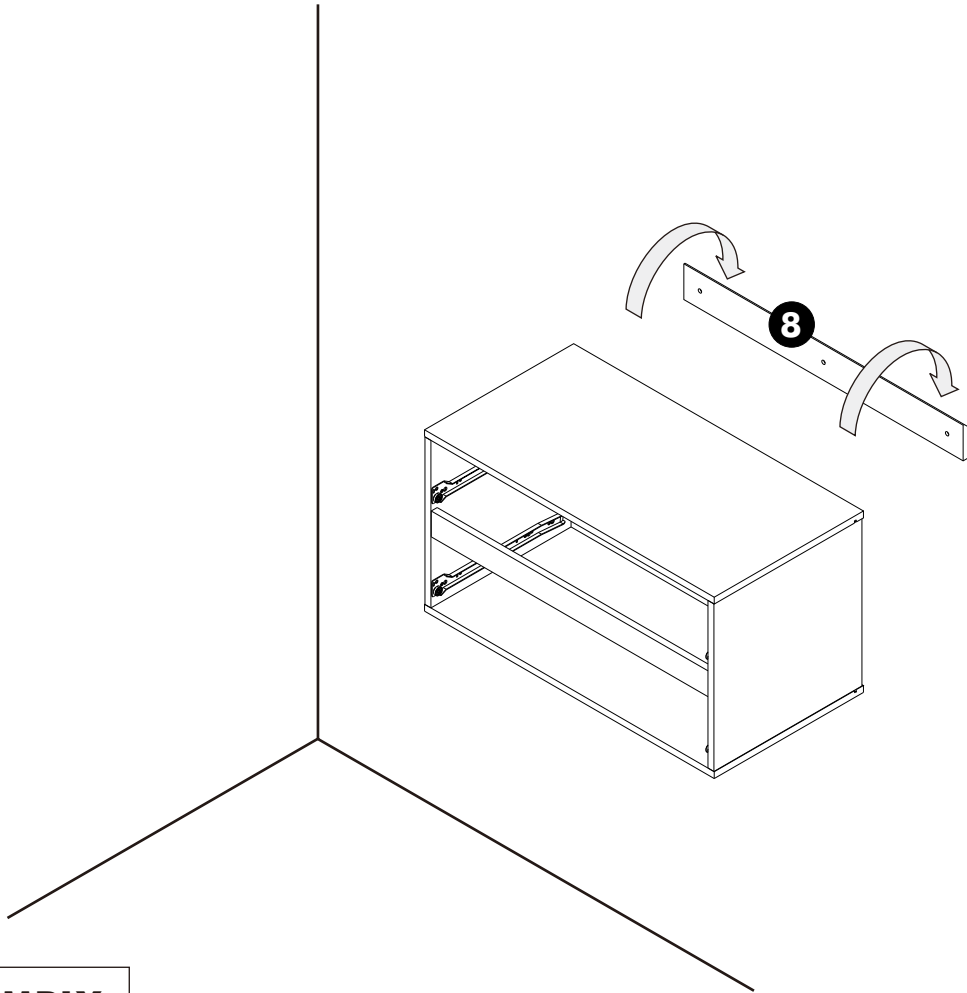
HANG ON THE WALL



FOR CONCRETE WALL



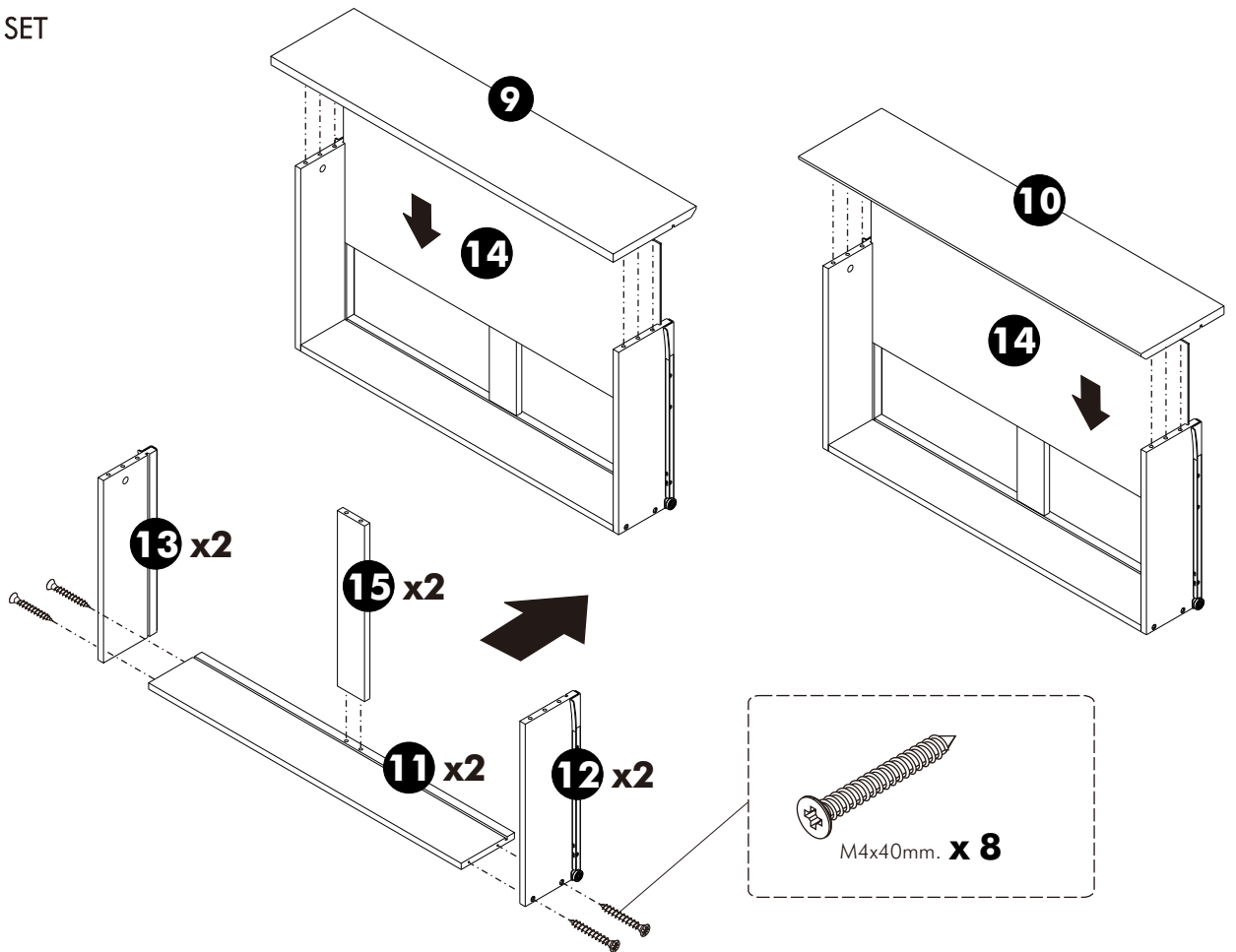
7.



ASSEMBLY

-DRAWER SET

8.



9.

