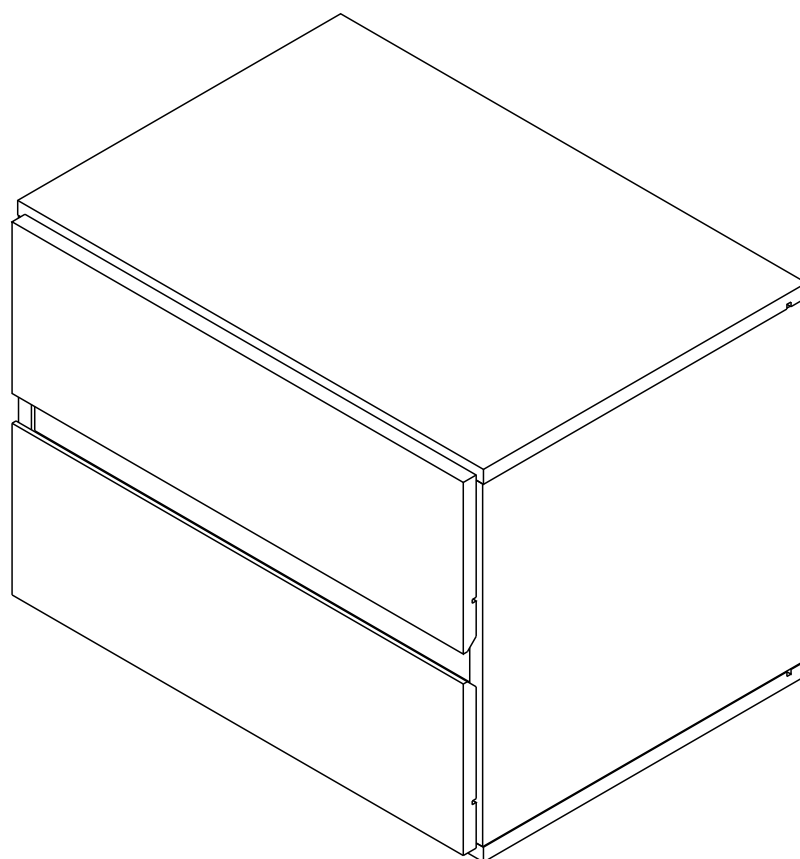
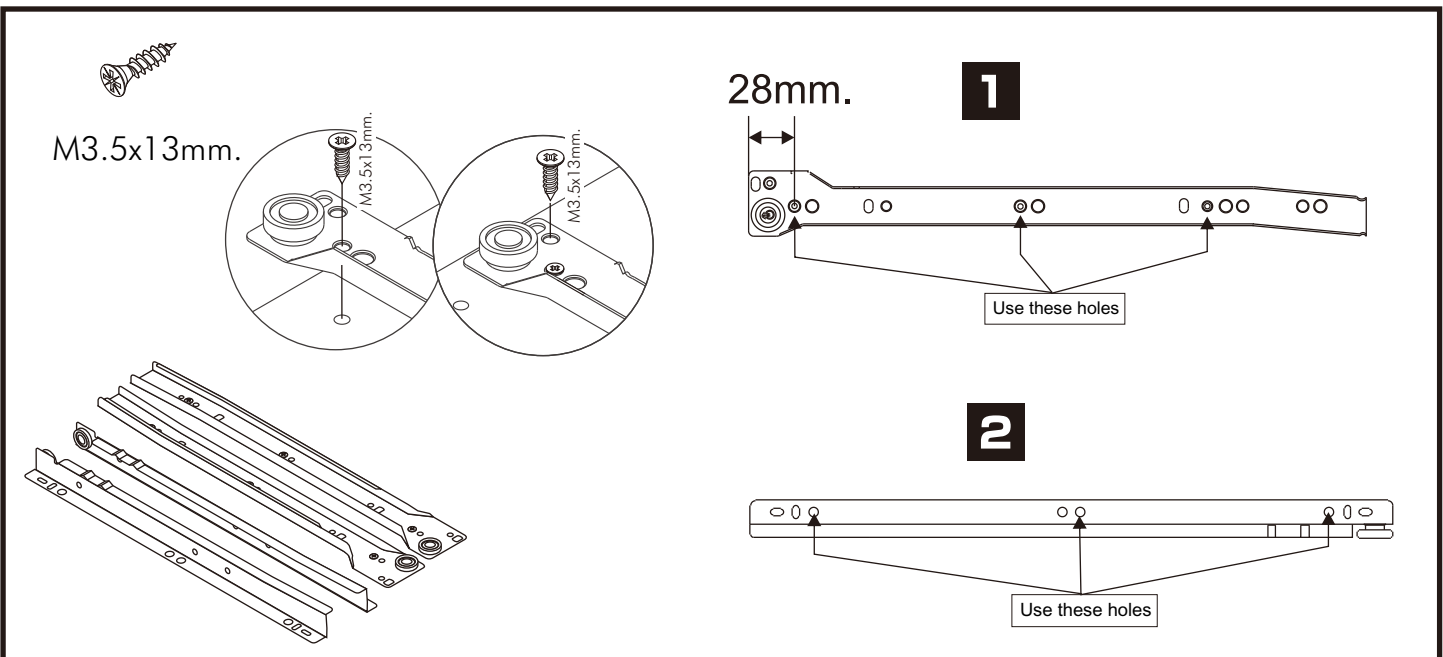
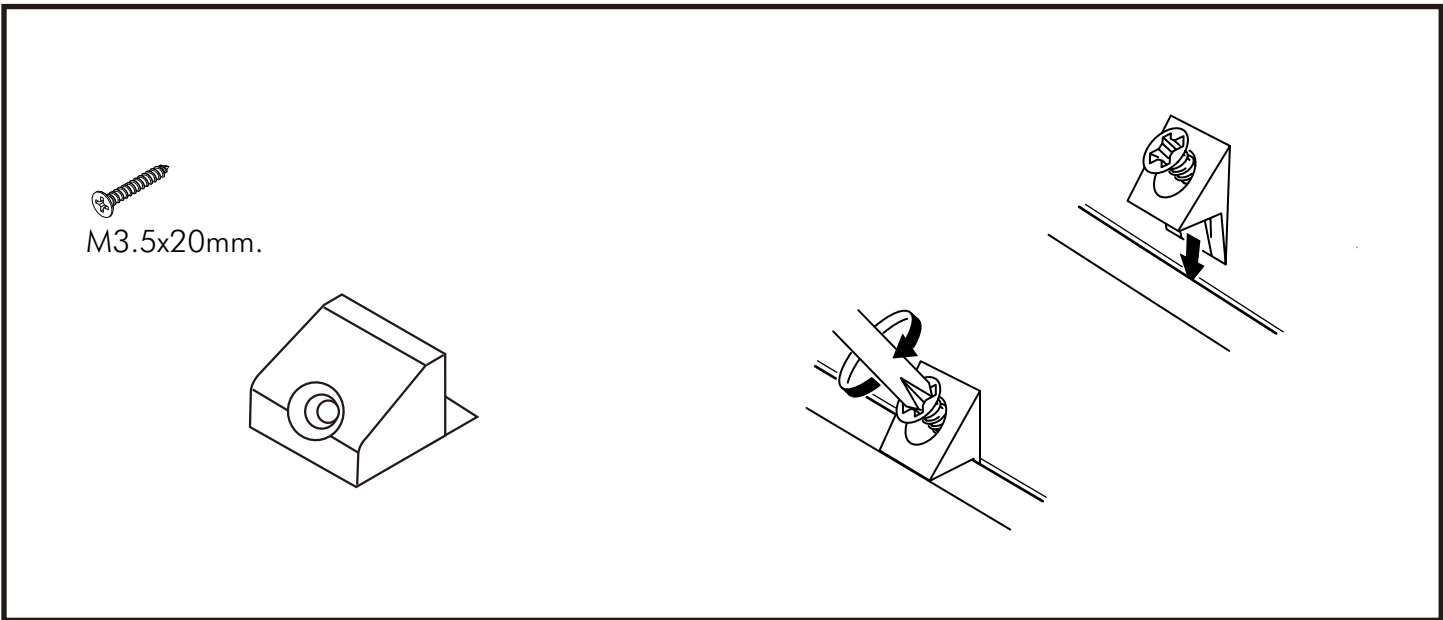
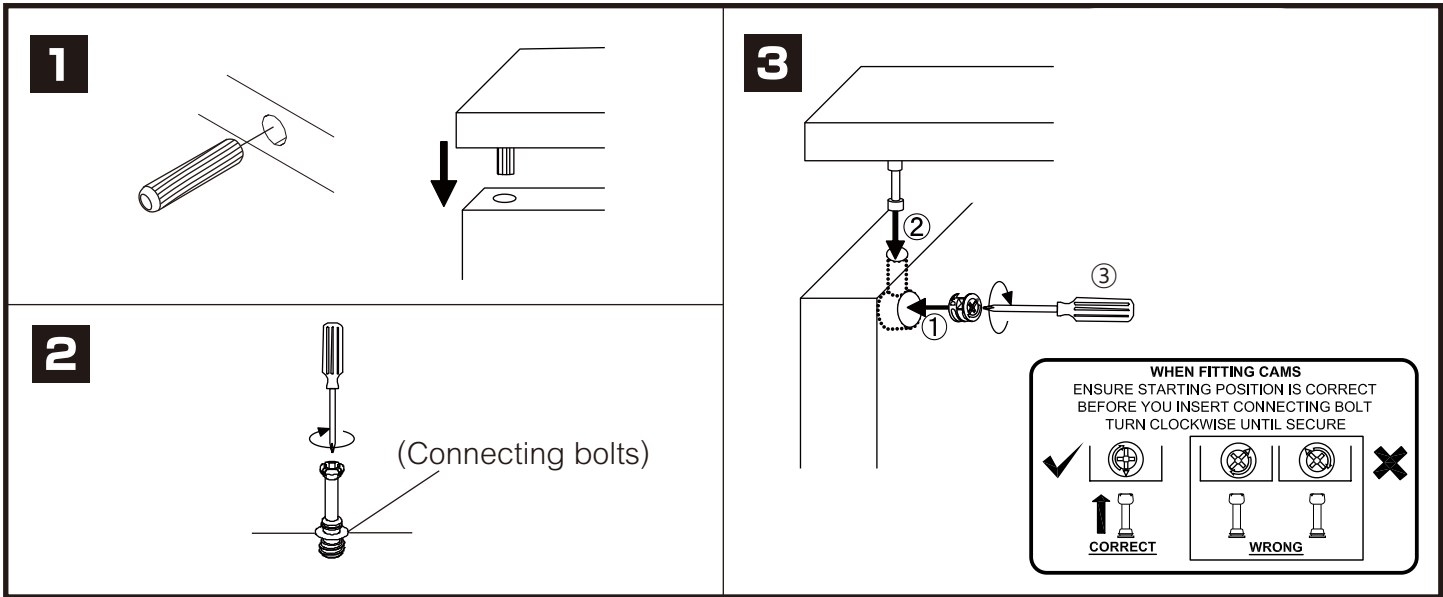


SMART FLEX

Drawers Cabinet 60 cm.

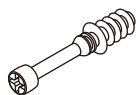


CONNECT SYSTEM



HARDWARE

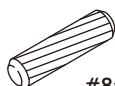
-BODY SET



x 10

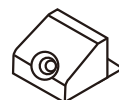


x 6

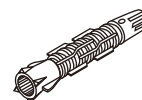


#8x35

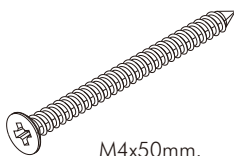
x 17



x 4



x 3



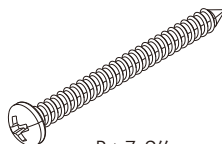
M4x50mm.

x 4



M3.5x20mm.

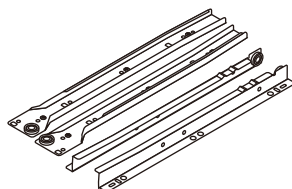
x 4



P+7x2''

x 3

-DRAWER SET

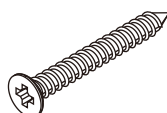


x 2



M3.5x13mm.

x 28



M4x40mm.

x 8



#6x35

x 16

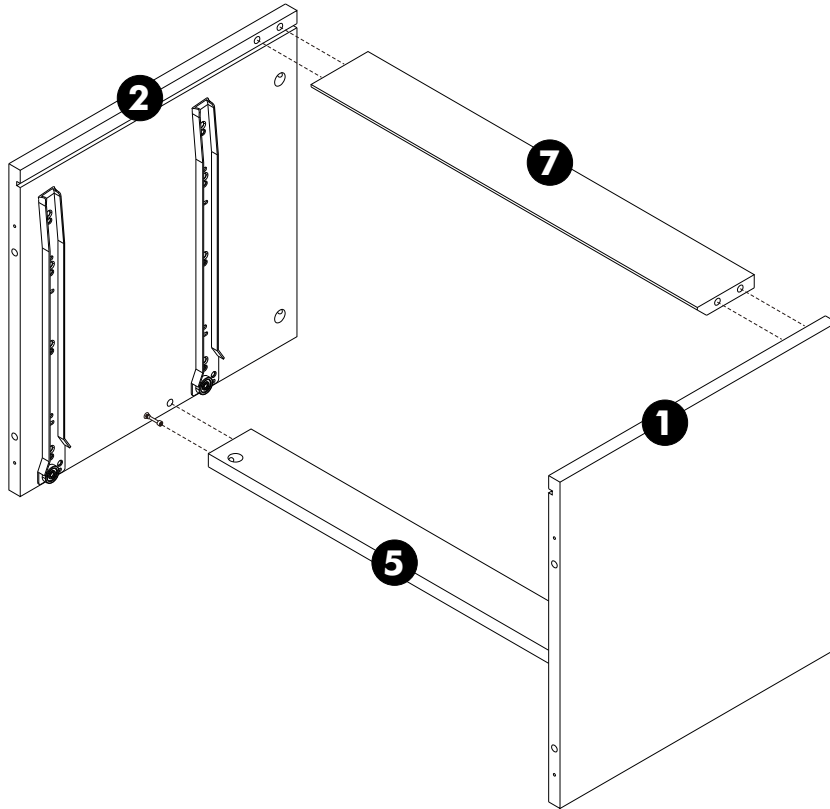


x 4

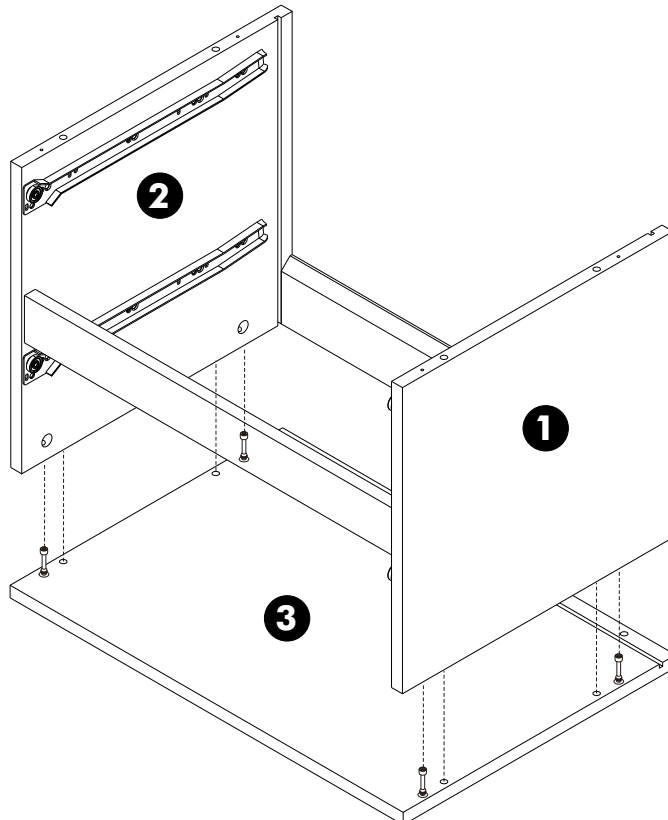
ASSEMBLY

-BODY SET

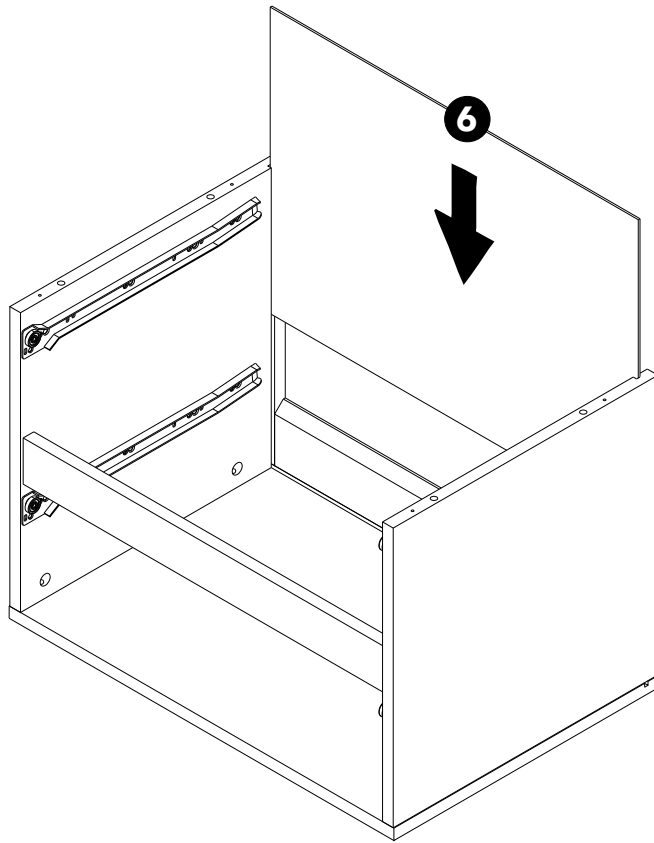
1.



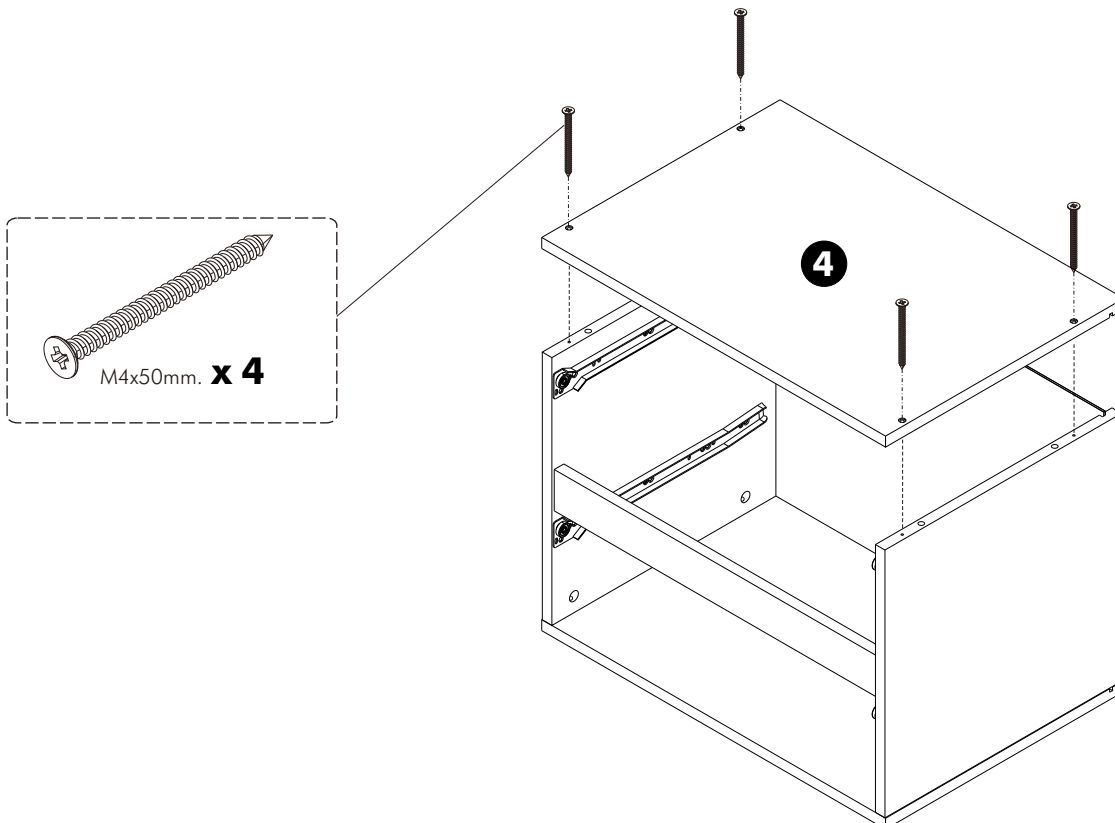
2.



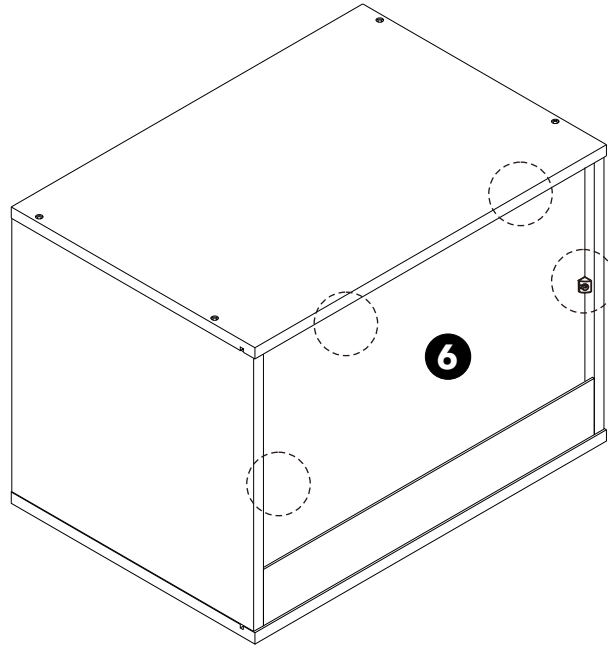
3.



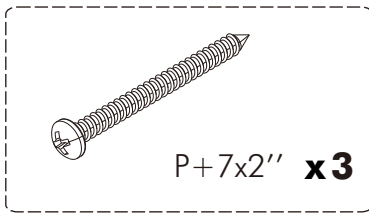
4.



5.

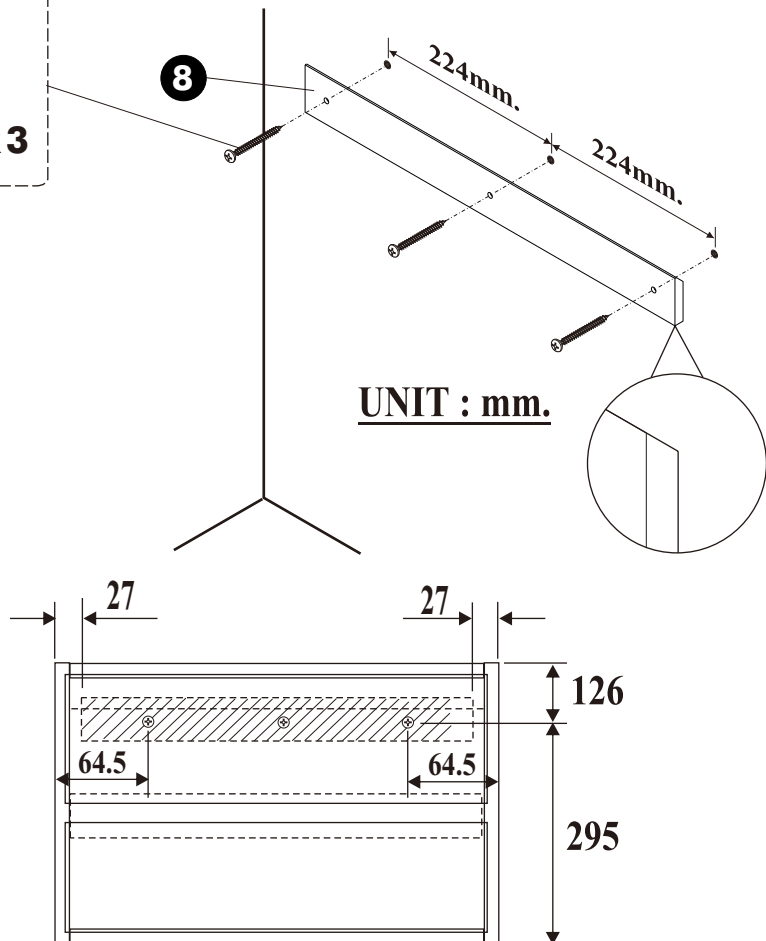
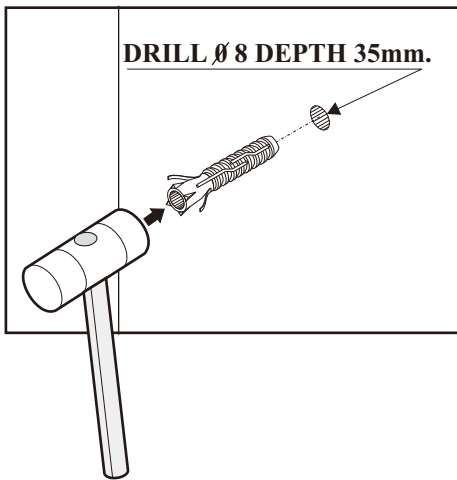


6.

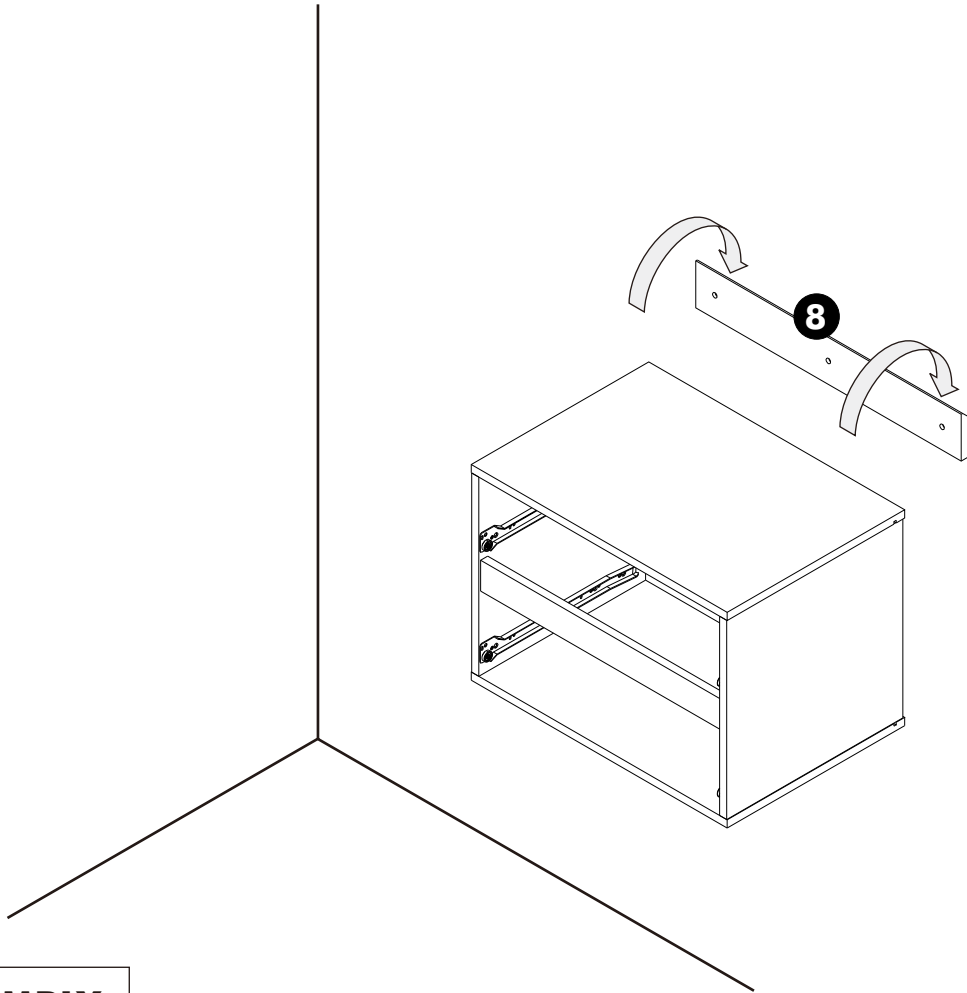


HANG ON THE WALL

FOR CONCRETE WALL



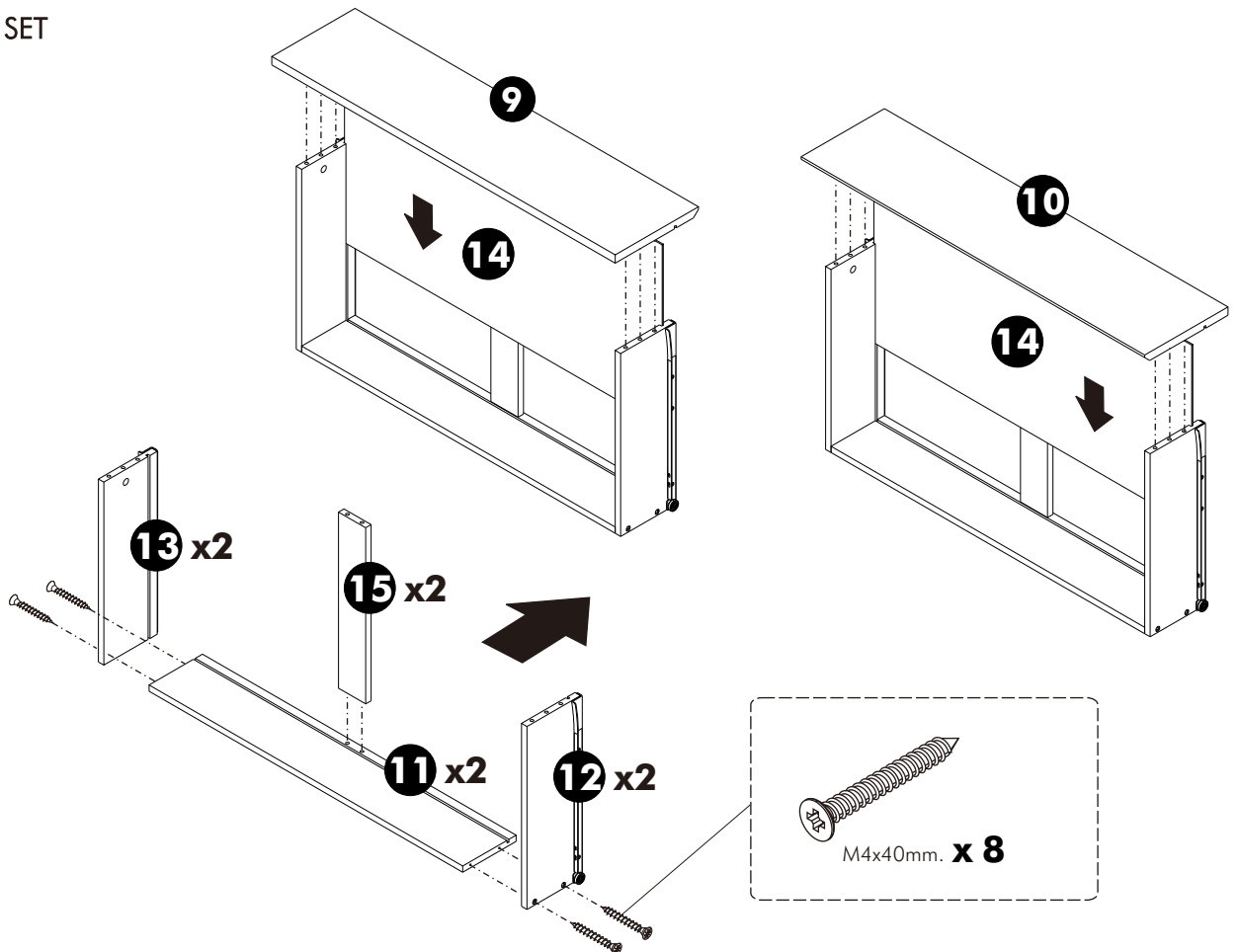
7.



ASSEMBLY

-DRAWER SET

8.



9.

