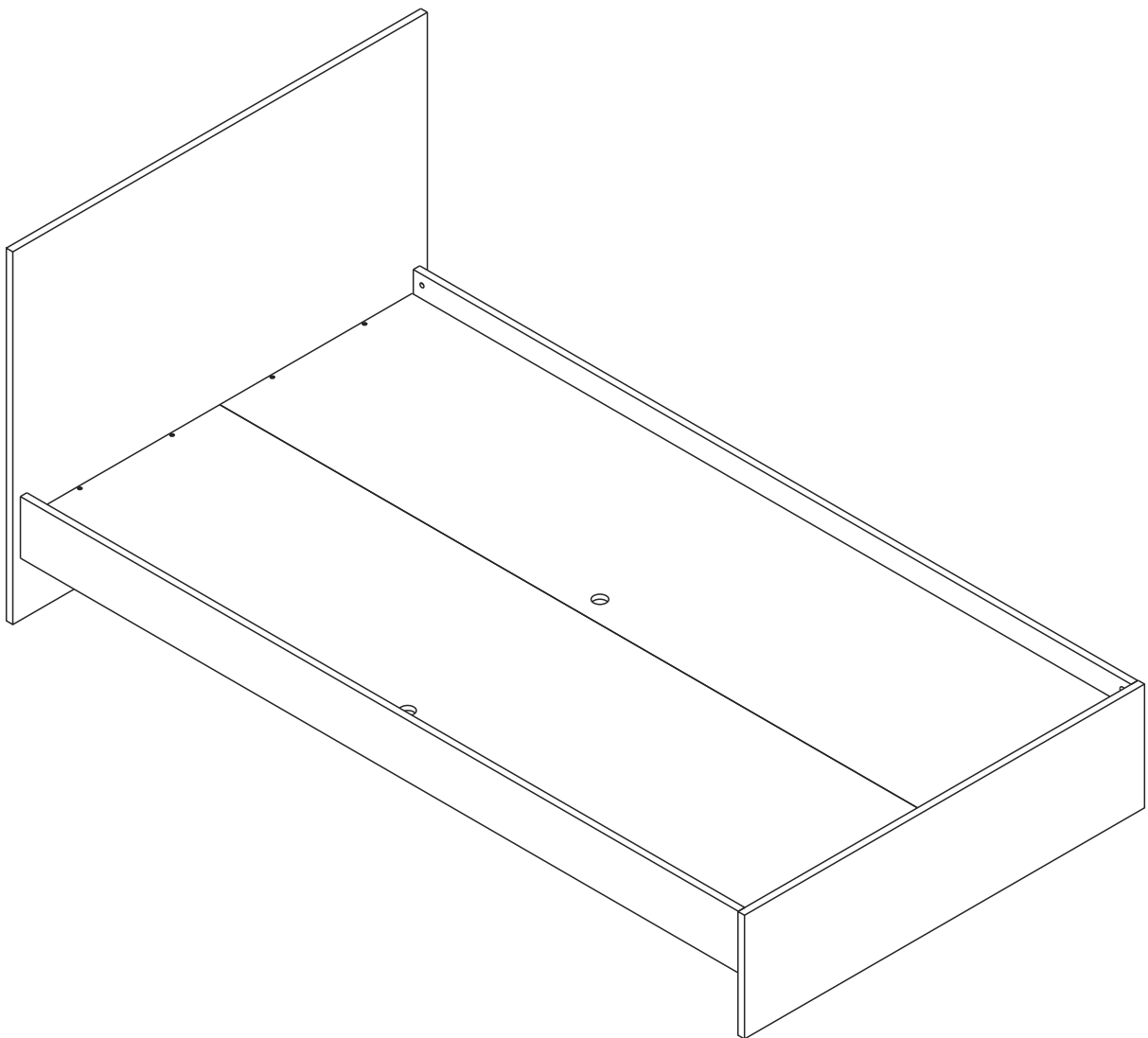
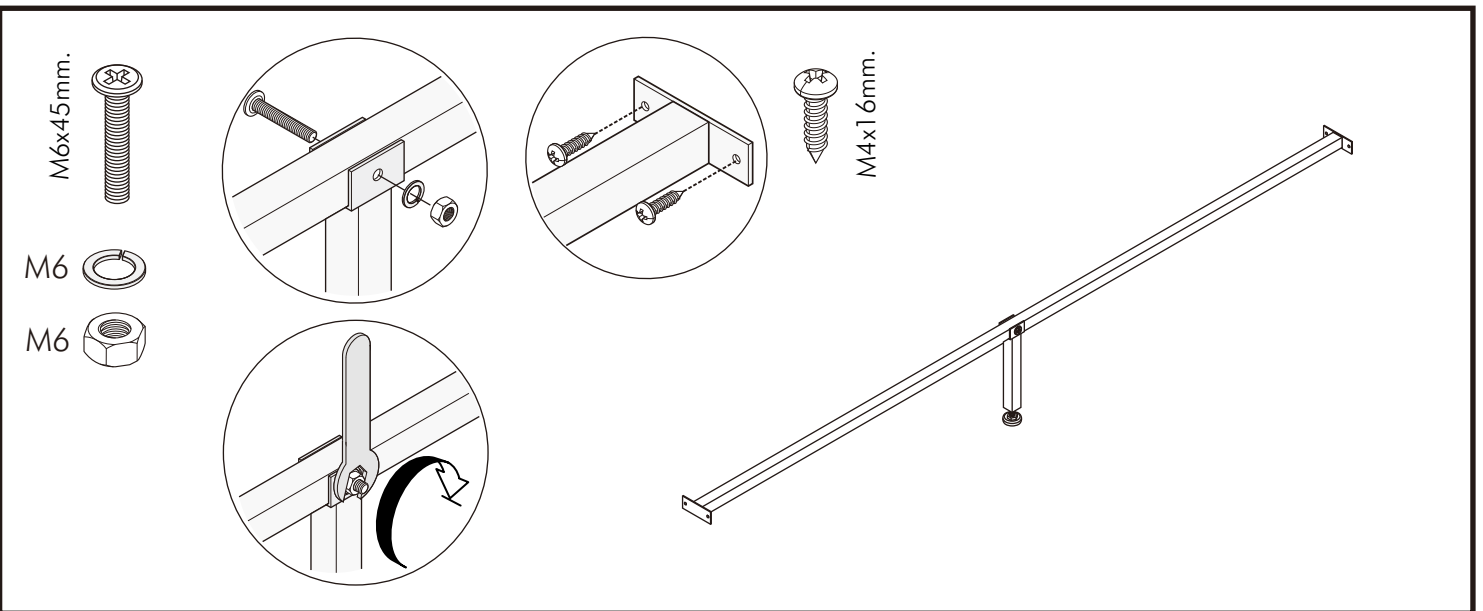
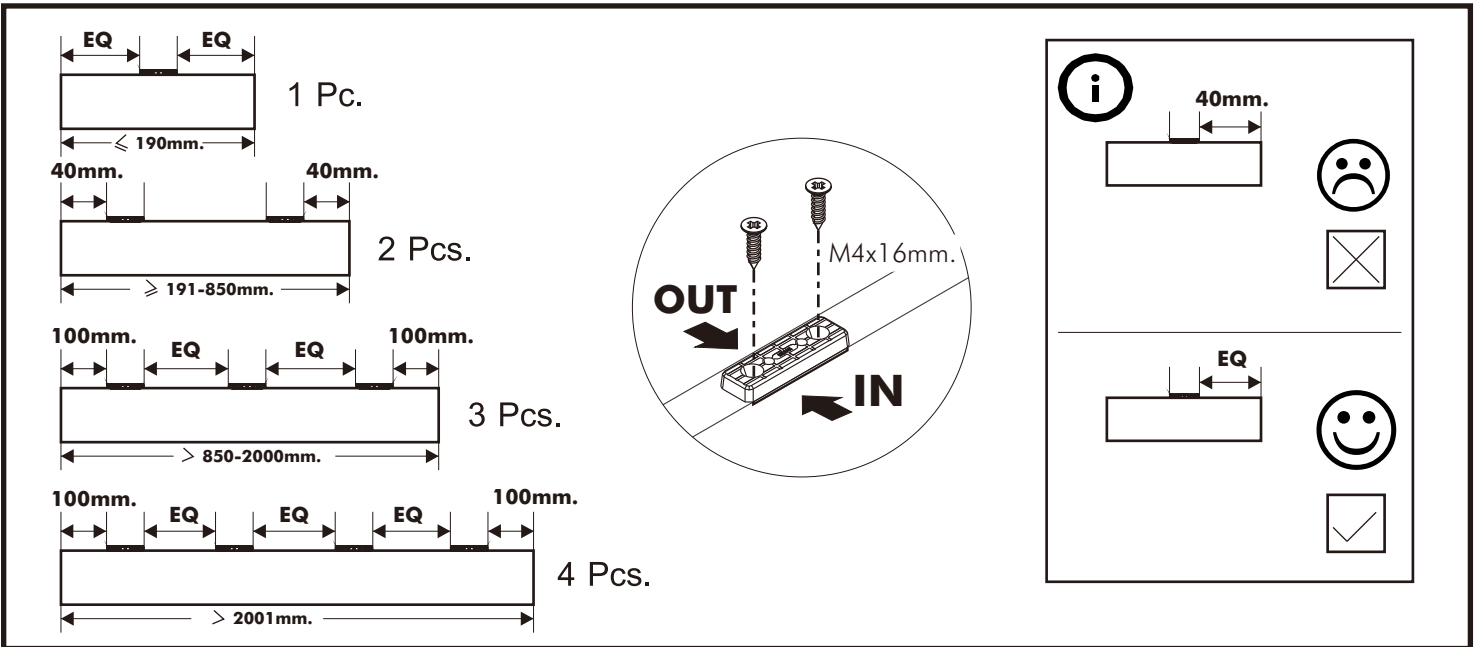
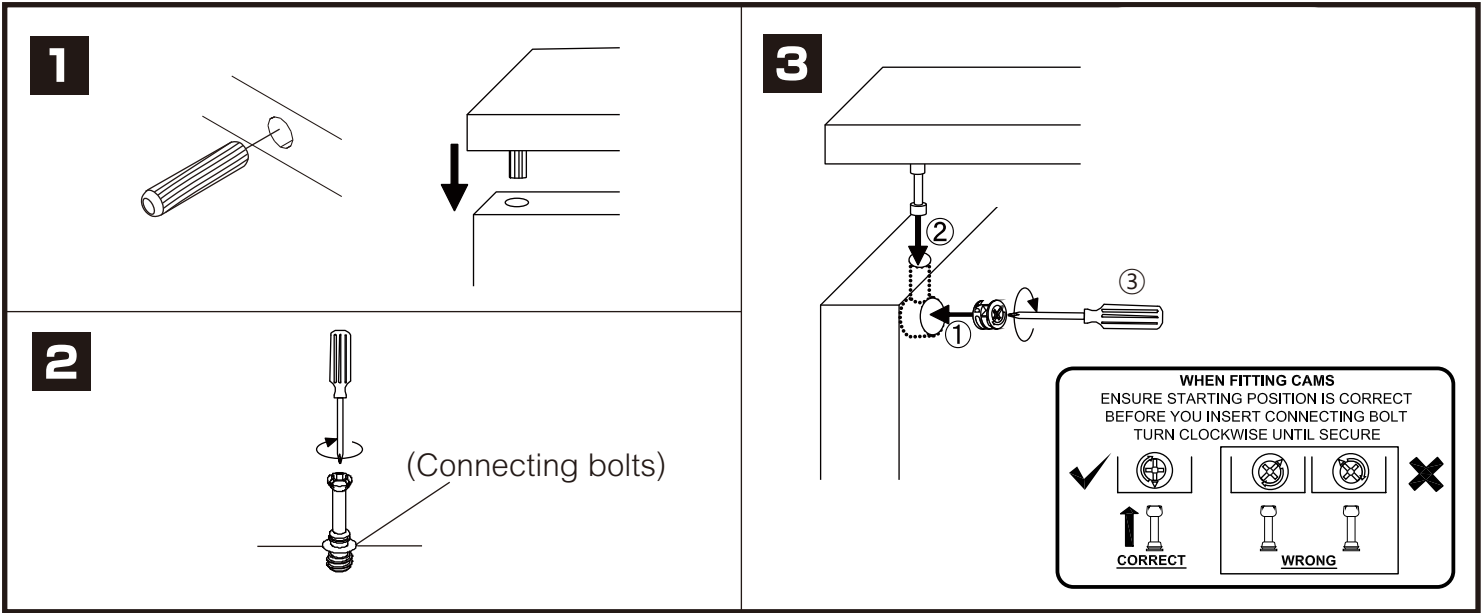


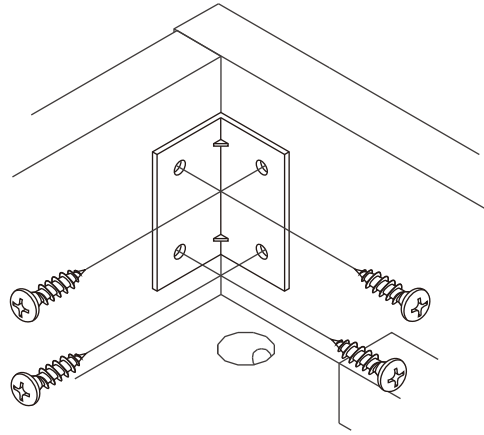
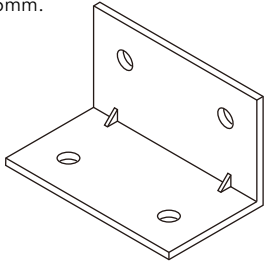
# VIVID

**BED 3.5 ft.**



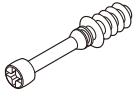
# CONNECT SYSTEM





# HARDWARE

## -BODY SET

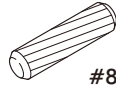


**x 4**



**x 4**

19mm.



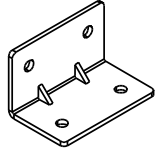
**x 8**

#8x35

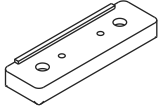


**x 26**

M4x16mm.



**x 4**



**x 6**



**x 2**

#M6



**x 2**

#M6



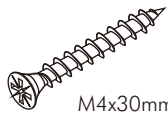
**x 2**

TF+M6x45



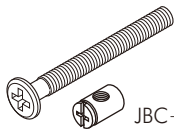
**x 12**

M4x16mm.



**x 38**

M4x30mm.



**x 4**

JBC+M6x60



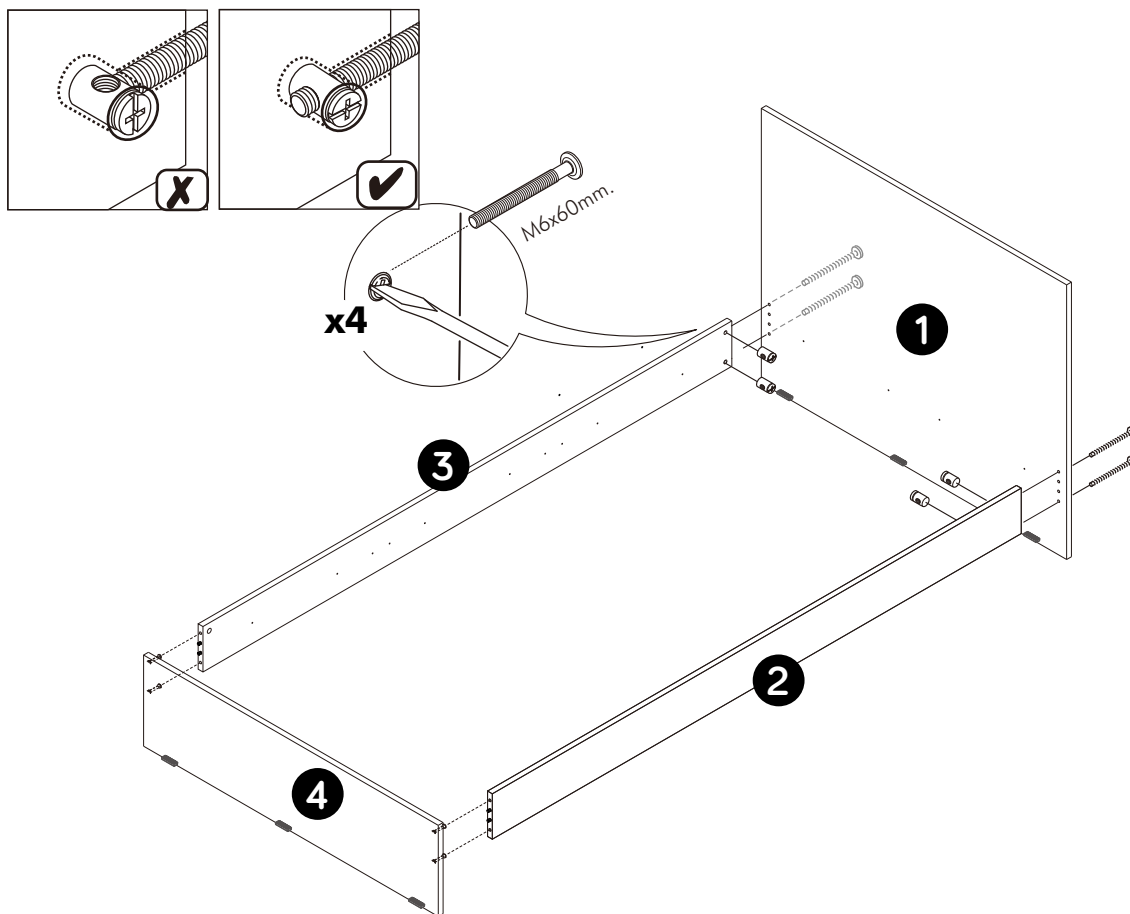
**x 2**

No.1

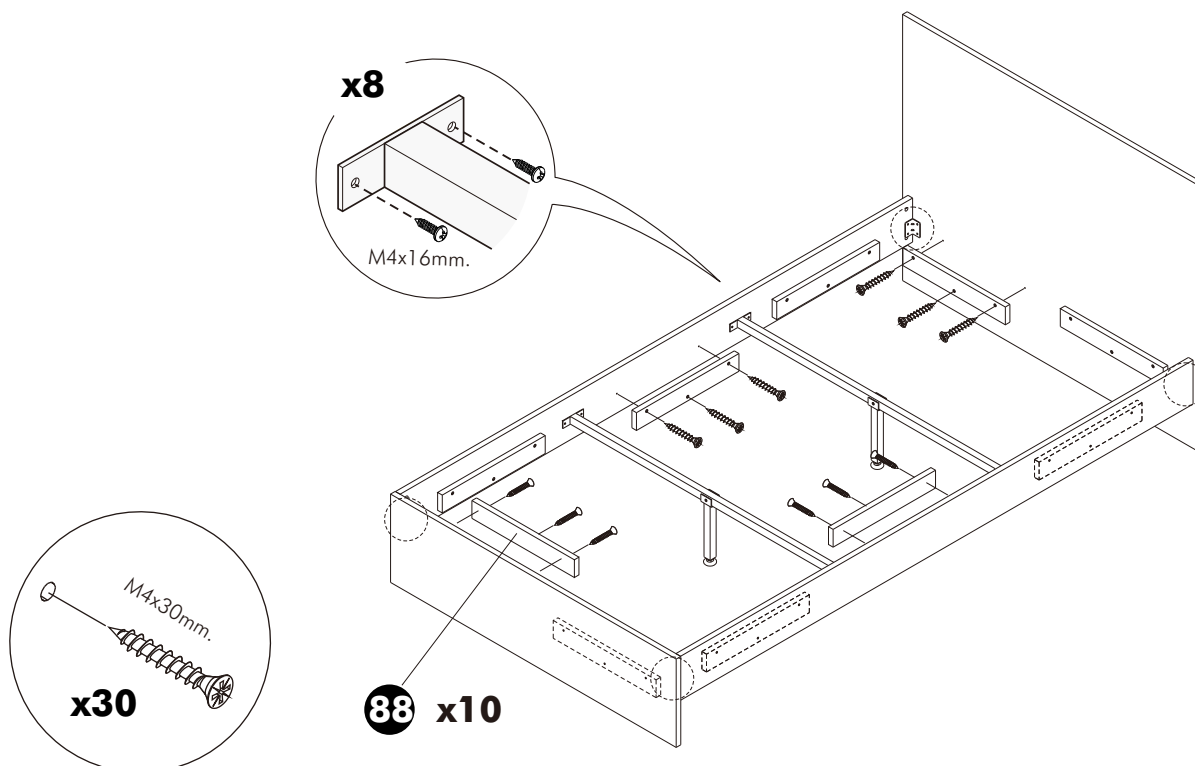
# ASSEMBLY

-BODY SET

1.



2.



**3.**

