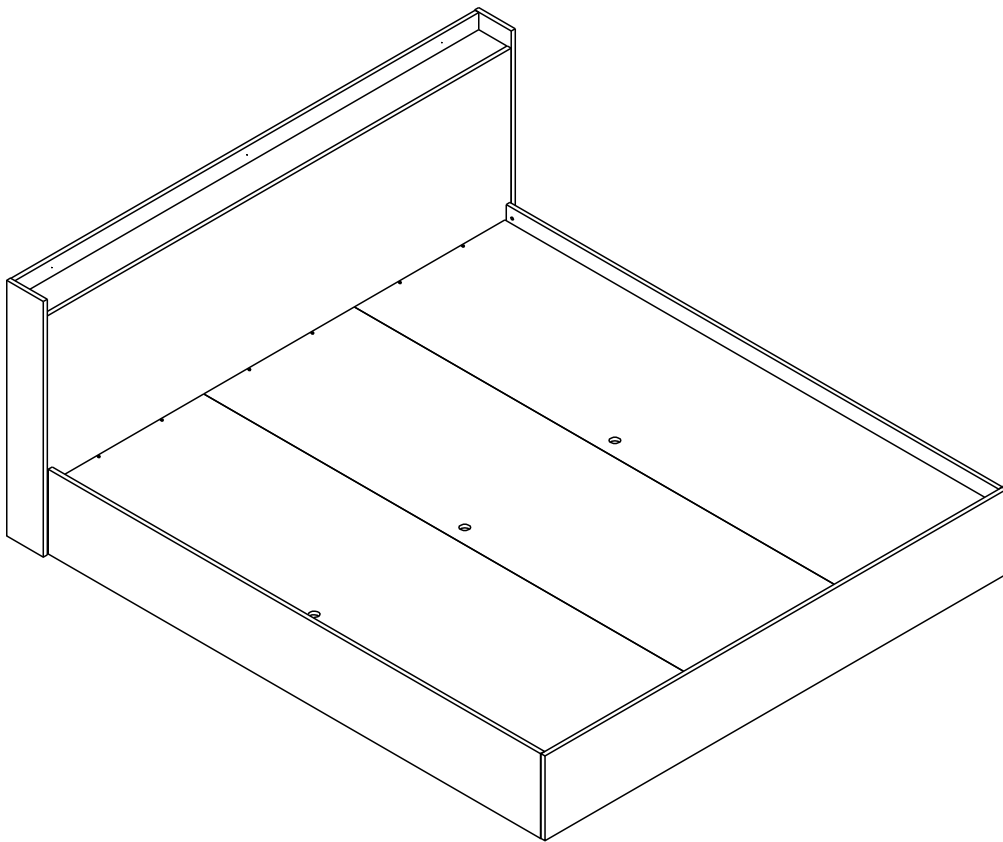


SYDNEY

BED 6 ft.



CONNECT SYSTEM

1

3

2

(Connecting bolts)

WHEN FITTING CAMS
 ENSURE STARTING POSITION IS CORRECT
 BEFORE YOU INSERT CONNECTING BOLT
 TURN CLOCKWISE UNTIL SECURE

✓				✗
↑	CORRECT	WRONG		

M4x16mm.

M4x16mm.

i

40mm.

☹️

✗

EQ

😊

✓

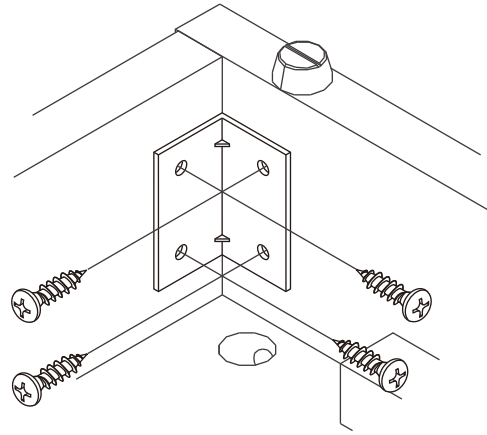
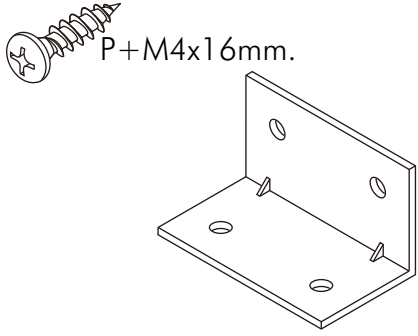
M6x45mm.

M6

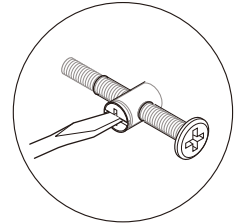
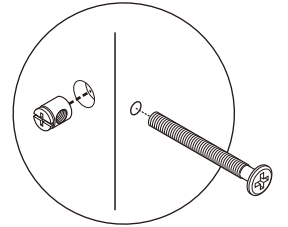
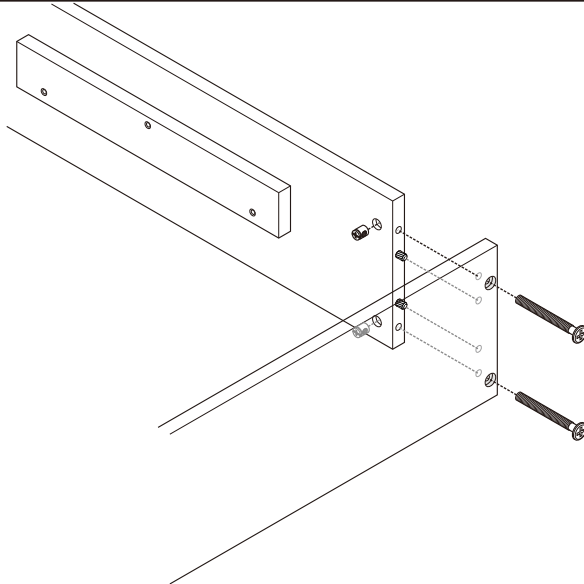
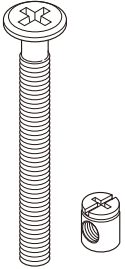
M6

M4x16mm.

P+M4x16mm.

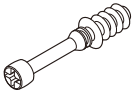


JBC+M6x60+CROSS



HARDWARE

-BODY SET

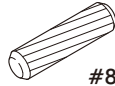


x 4



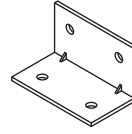
16mm.

x 4



#8x35

x 8

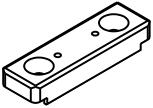


x 8



No.1

x 3



x 16



M4x16mm.

x 32



M4x30mm.

x 48



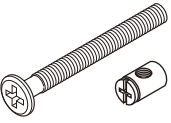
M4x16mm.

x 43



TF+M6x45

x 4



JCB+ M6x60

x 4



#M6

x 4



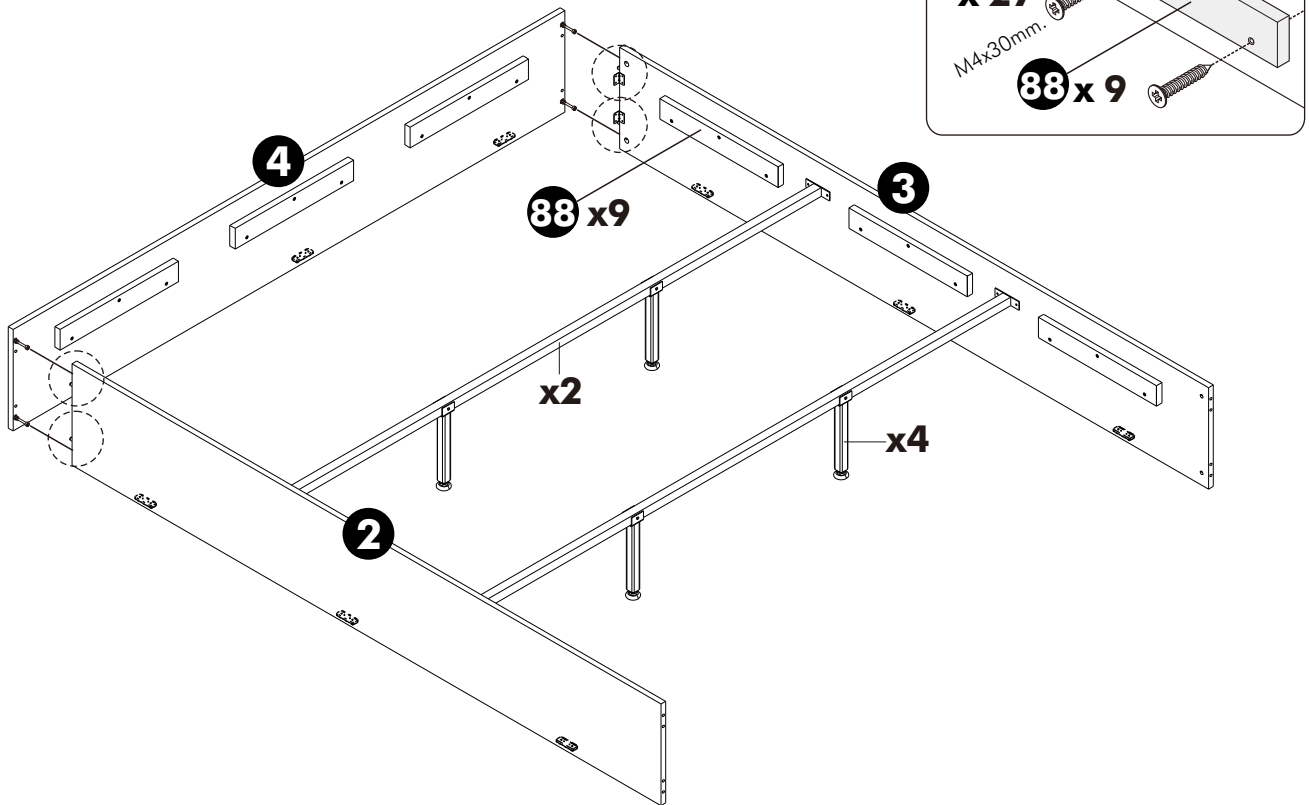
#M6

x 4

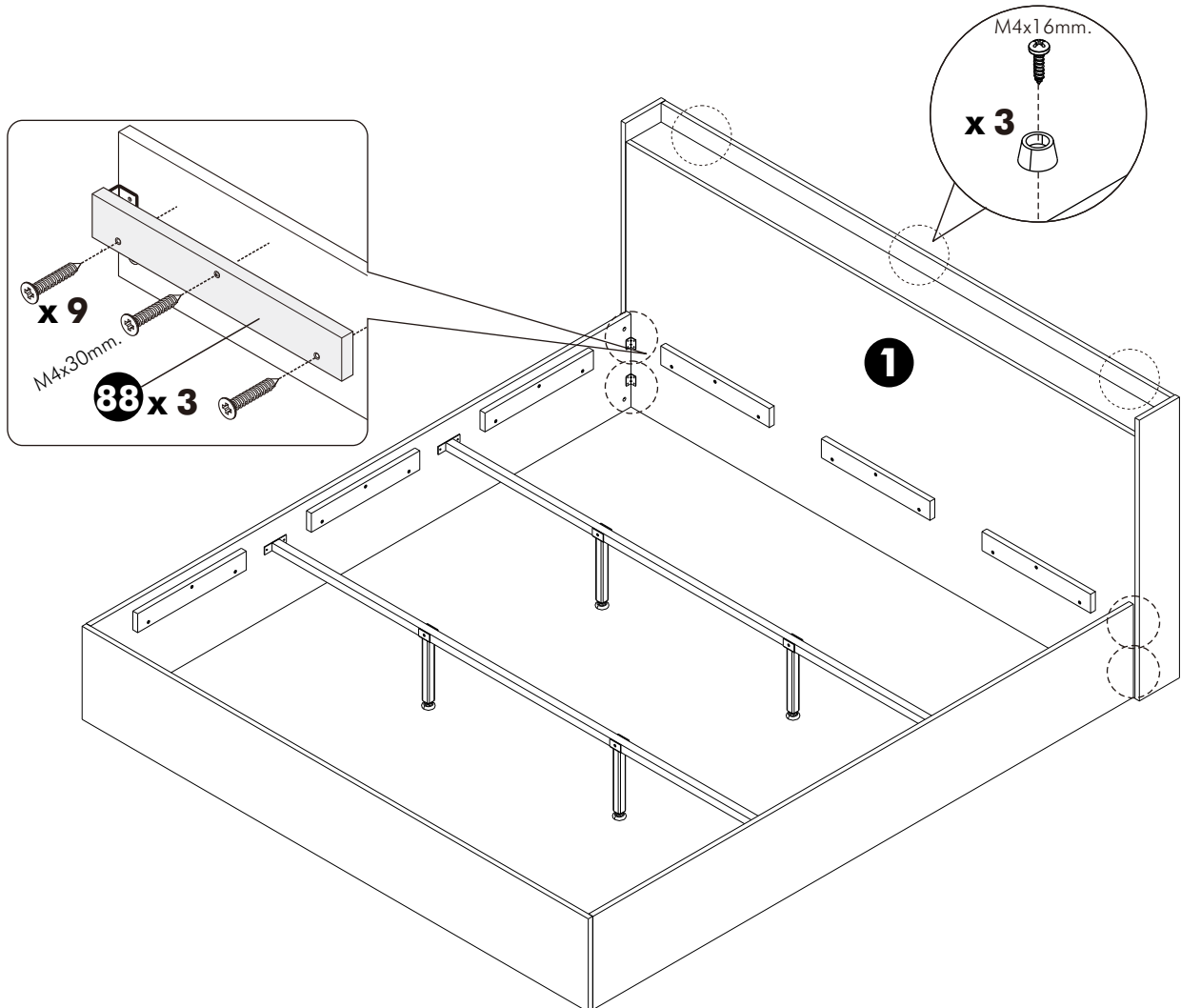
ASSEMBLY

-BODY SET

1.



2.



3.

