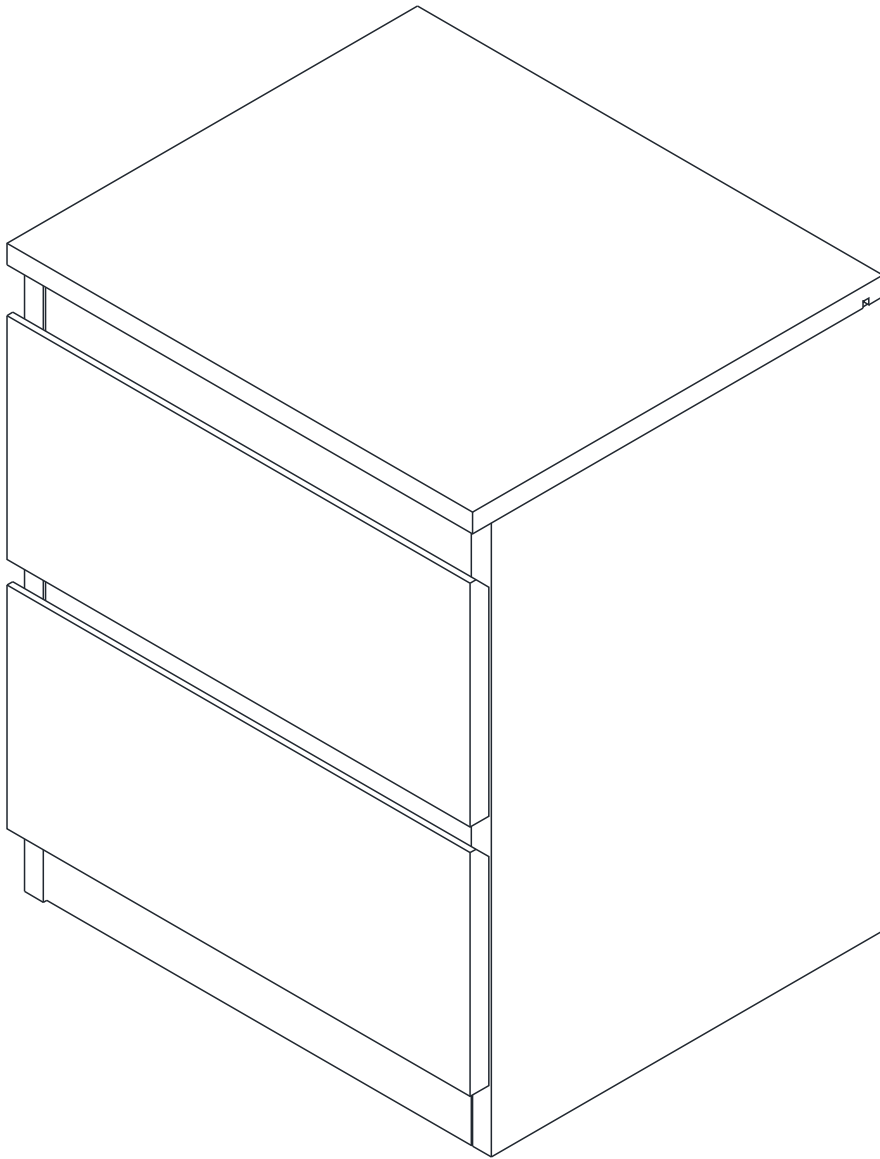


MAISON

Bedside cabinet 2 DW WT



CONNECT SYSTEM

1

3

2

(Connecting bolts)

WHEN FITTING CAMS
 ENSURE STARTING POSITION IS CORRECT
 BEFORE YOU INSERT CONNECTING BOLT
 TURN CLOCKWISE UNTIL SECURE

✓					✗
↑					
	CORRECT	WRONG	WRONG	WRONG	

M4x16mm.

i

M3.5x13mm.

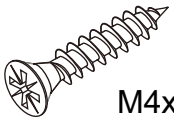
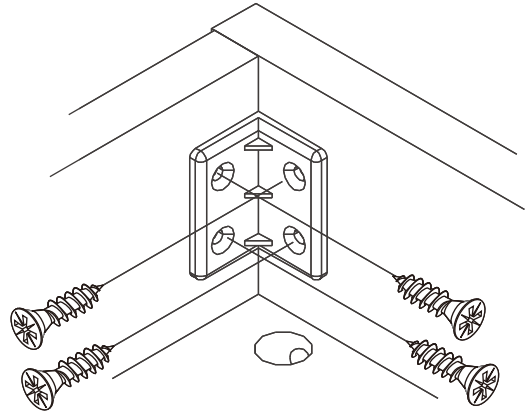
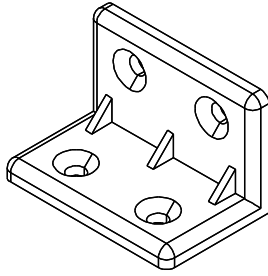
1

28mm.

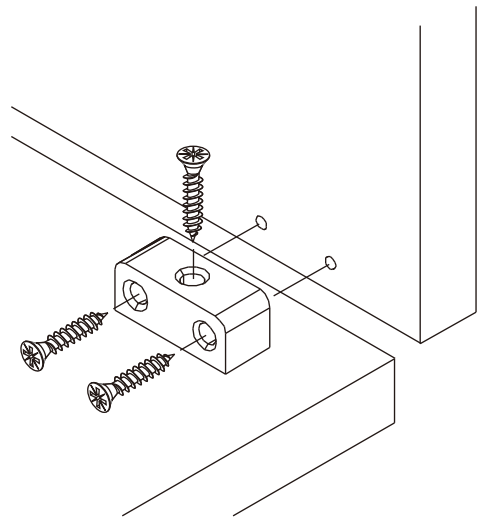
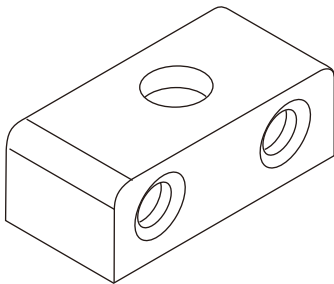
2

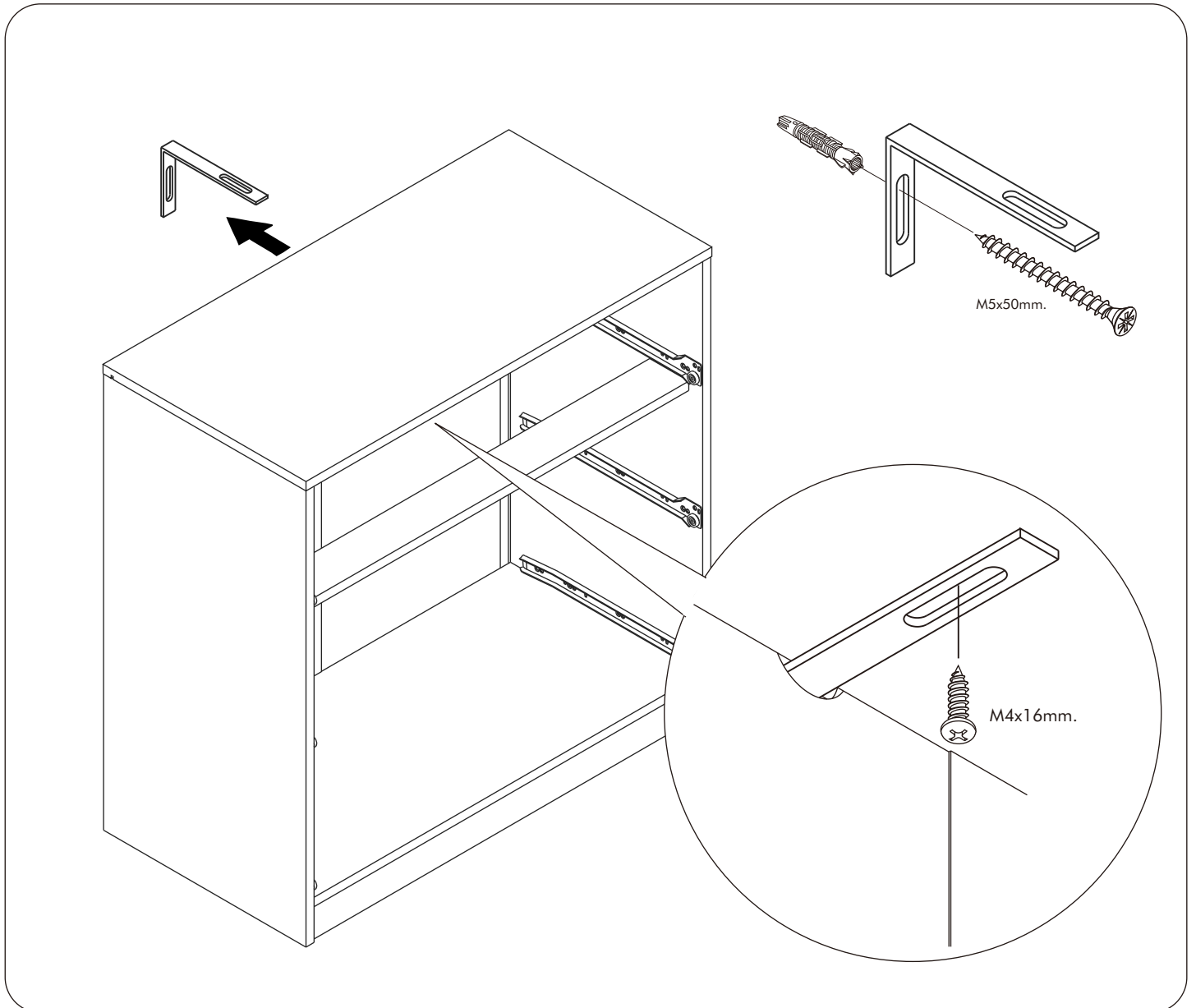
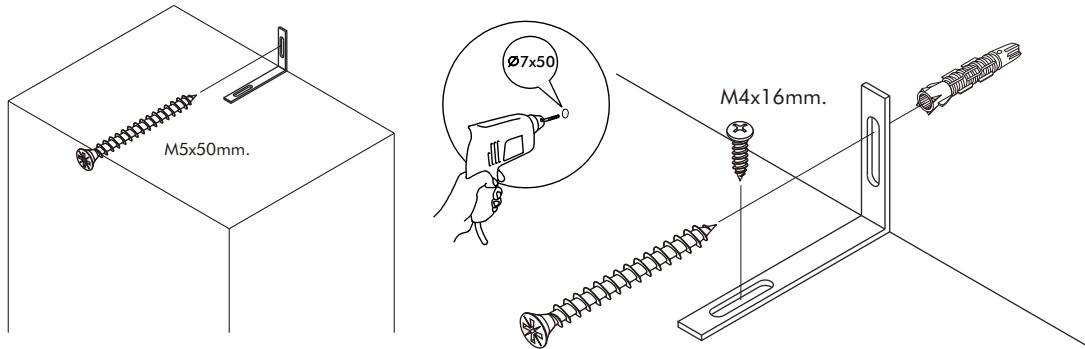
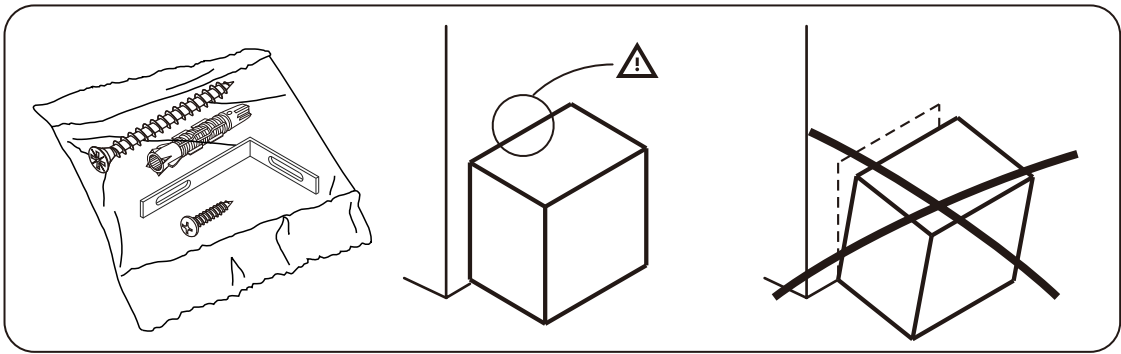


M4x16mm.



M4x25mm.





HARDWARE

-BODY SET



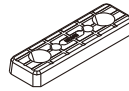
#8x35

x 20

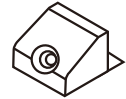


M4x16mm.

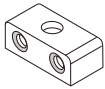
x 76



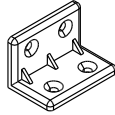
x 8



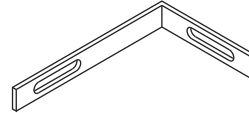
x 3



x 4



x 15

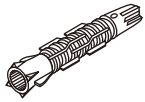


x 1



M4x16mm.

x 3

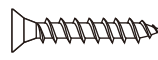


x 1



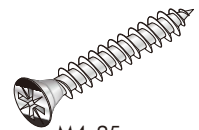
M5x50mm.

x 1



M3.5x20mm.

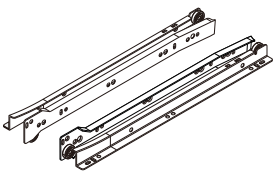
x 3



M4x25mm.

x 12

-DRAWER SET

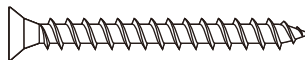


x 2



M3.5x13mm.

x 28



M4x40mm.

x 16



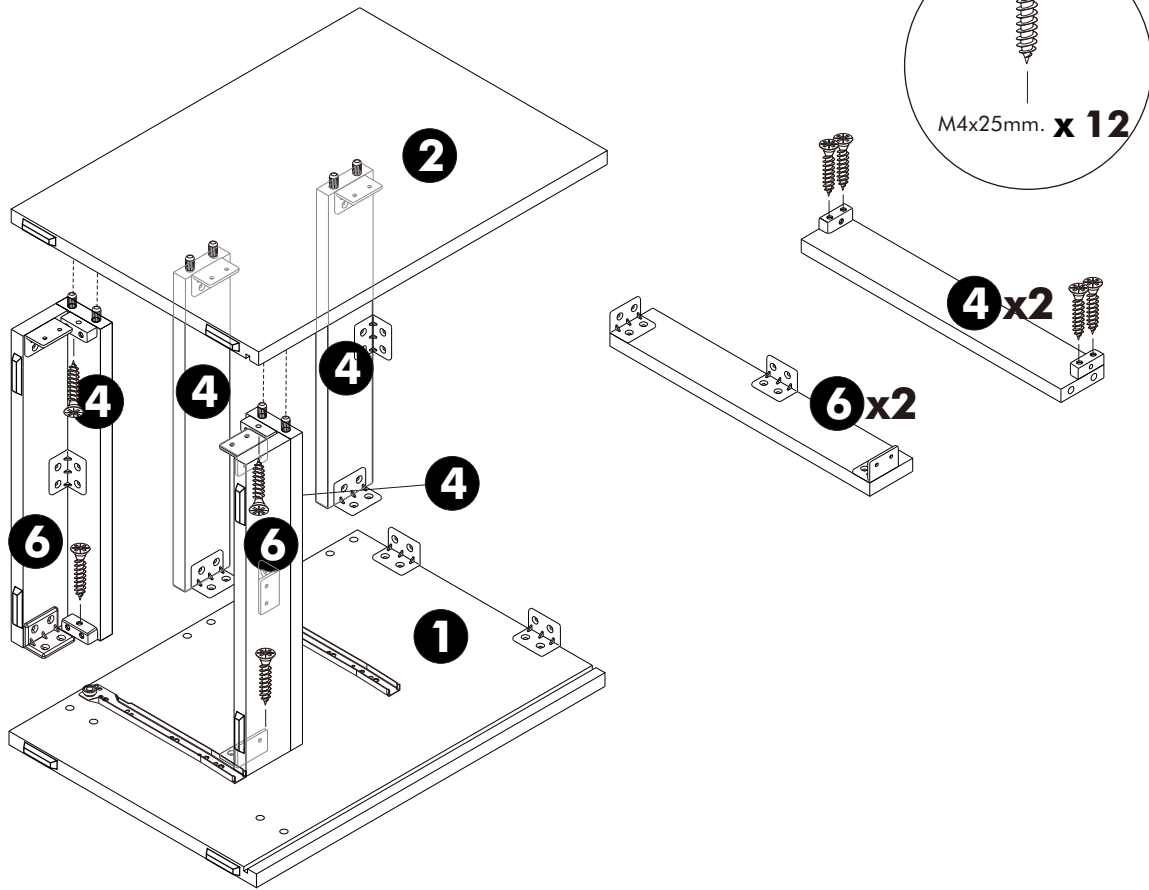
TFL4 M6x23

x 4

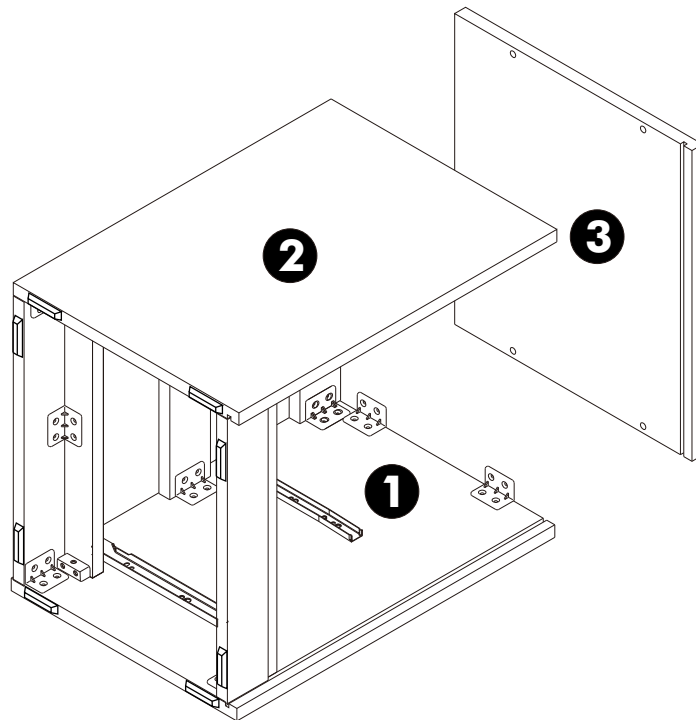
ASSEMBLY

-BODY SET

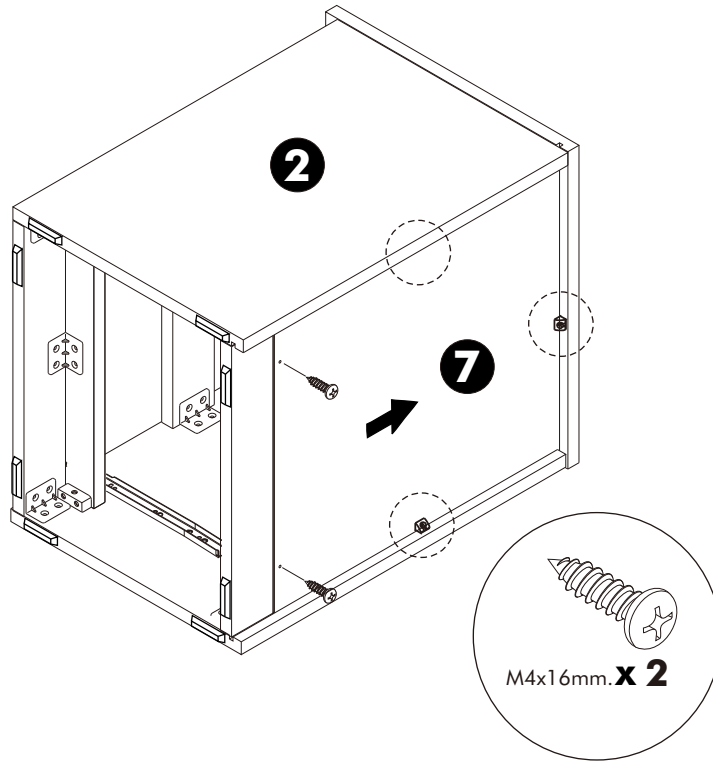
1.



2.



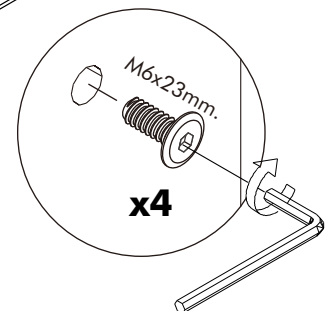
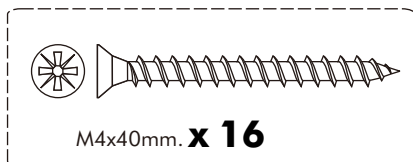
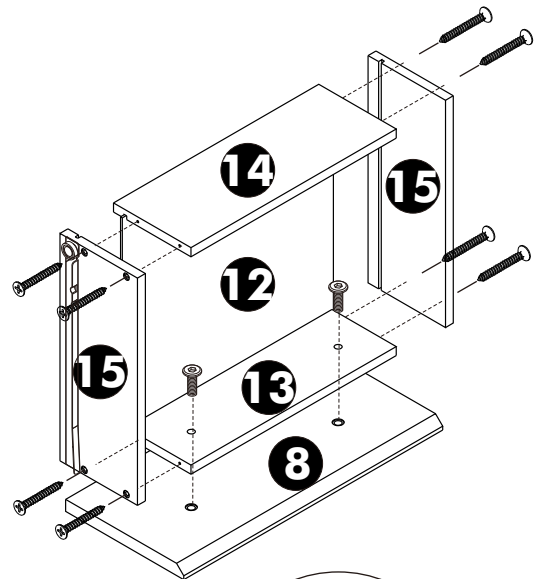
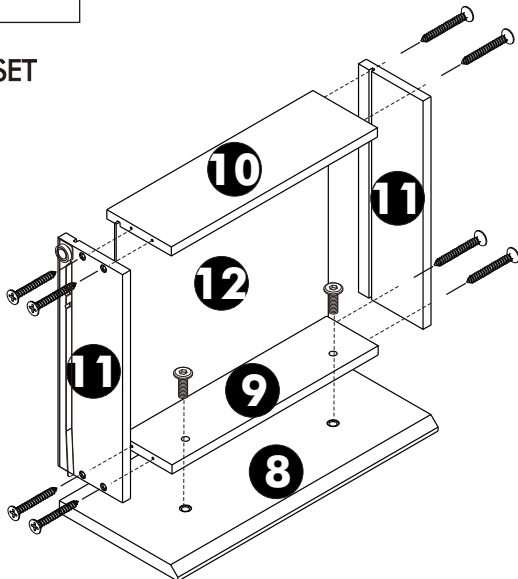
3.



ASSEMBLY

-DRAWER SET

4.



5.

