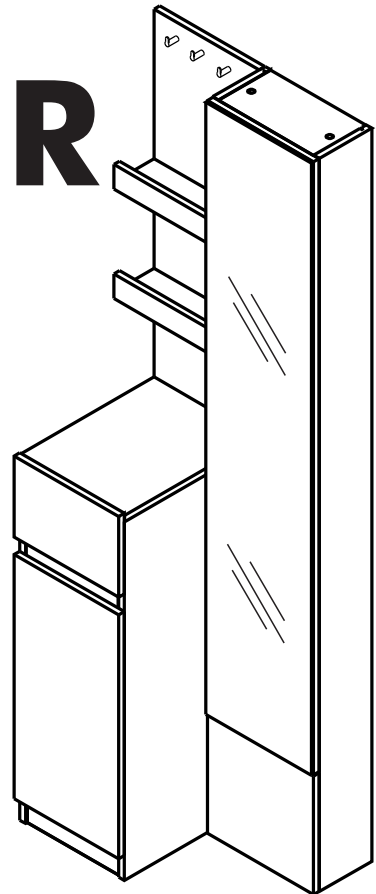
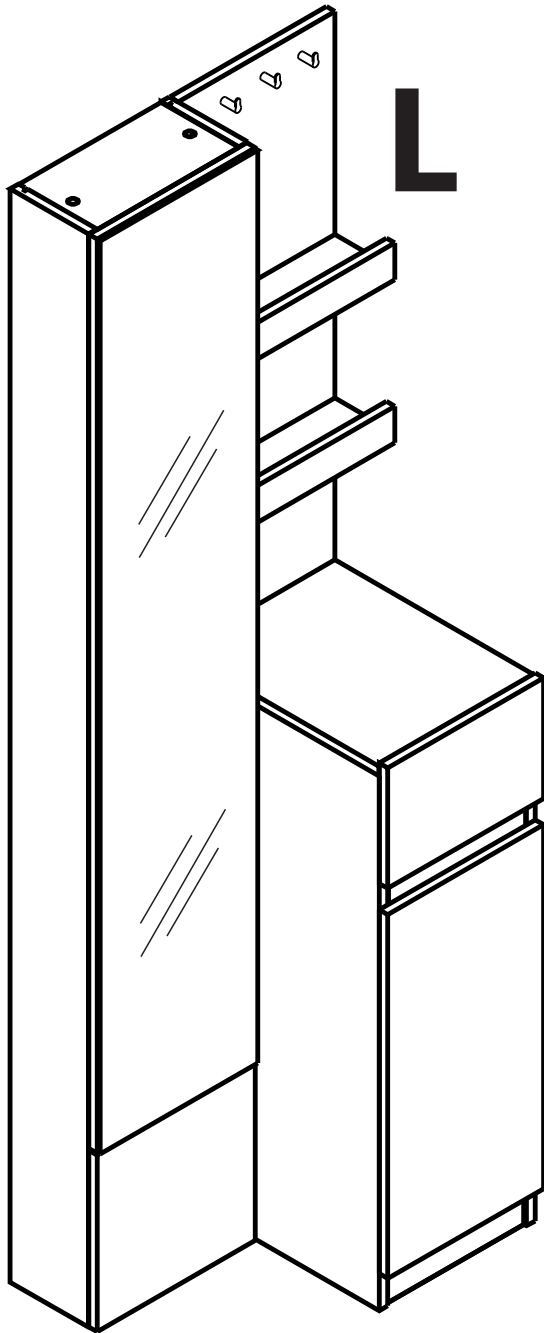


# MODENO

## Dressing Stand



# CONNECT SYSTEM

**1**

**3**

**2**

(Connecting bolts)

**WHEN FITTING CAMS**  
 ENSURE STARTING POSITION IS CORRECT  
 BEFORE YOU INSERT CONNECTING BOLT  
 TURN CLOCKWISE UNTIL SECURE

✓				✗
	<b>CORRECT</b>	<b>WRONG</b>		

M4x16mm.

**i**

40mm.

☹

✗

EQ

☺

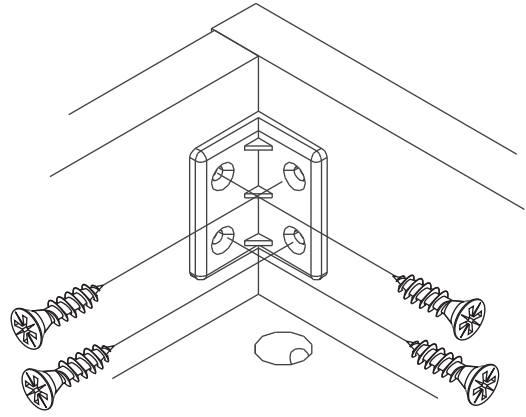
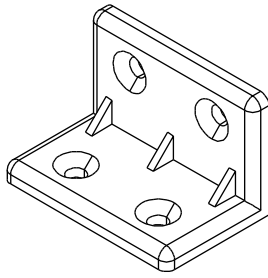
✓

M4x16mm.

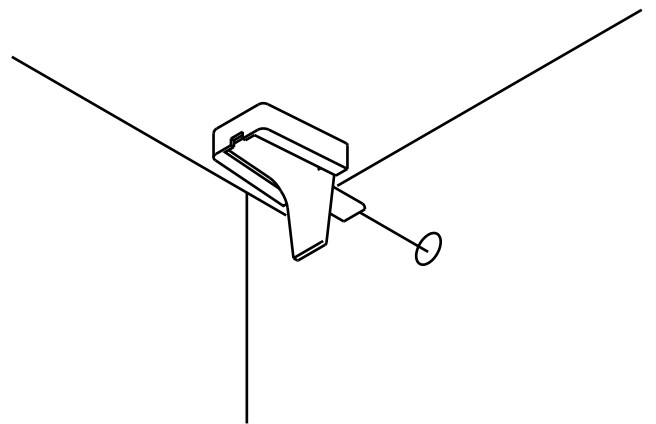
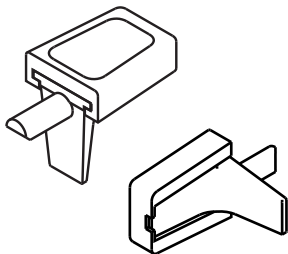
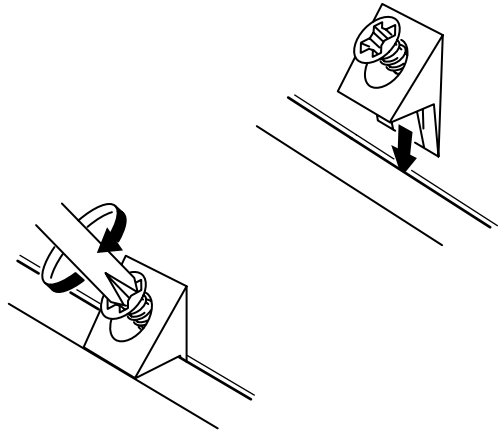
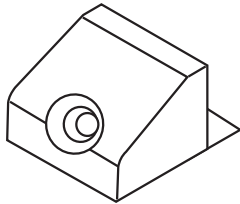
**DOOR PANEL**

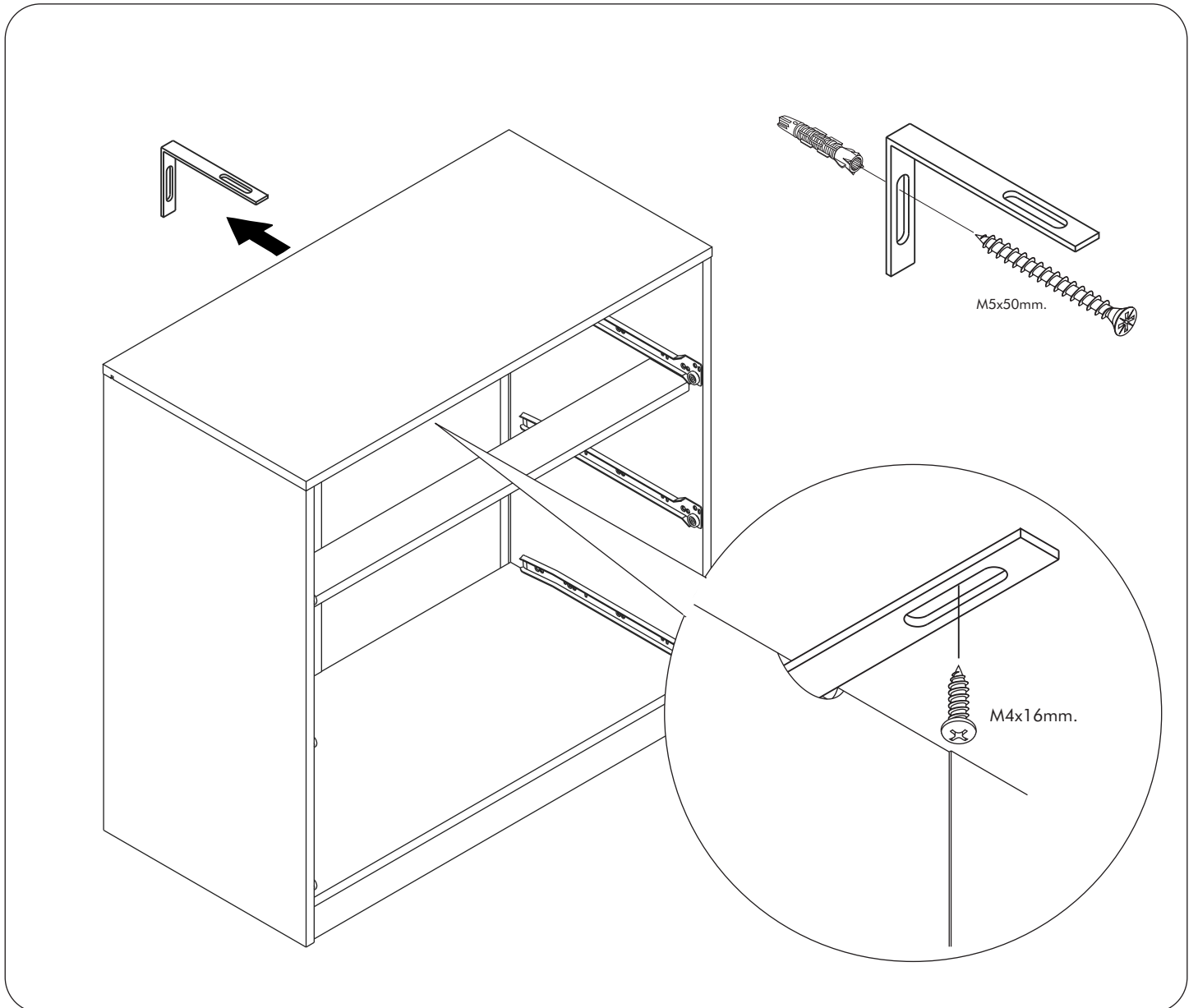
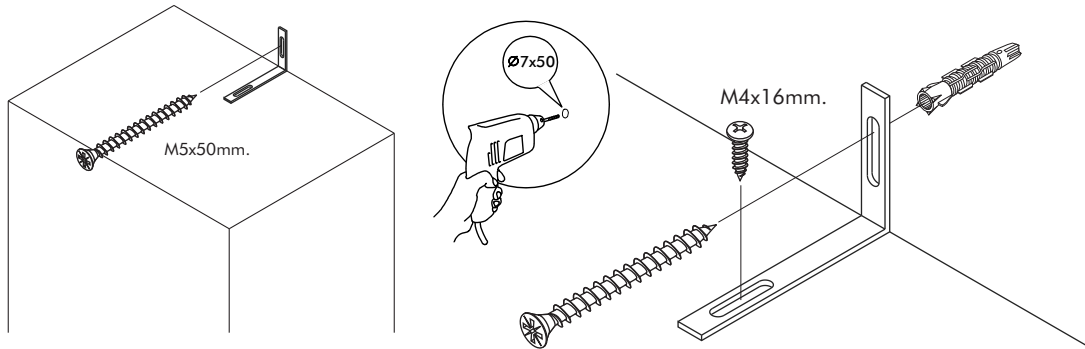
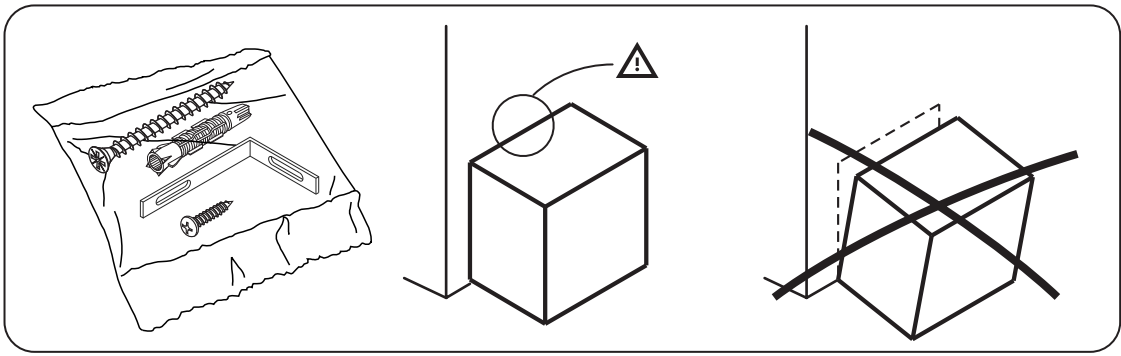


M4x16mm.



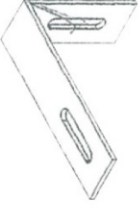
M3.5x20mm.



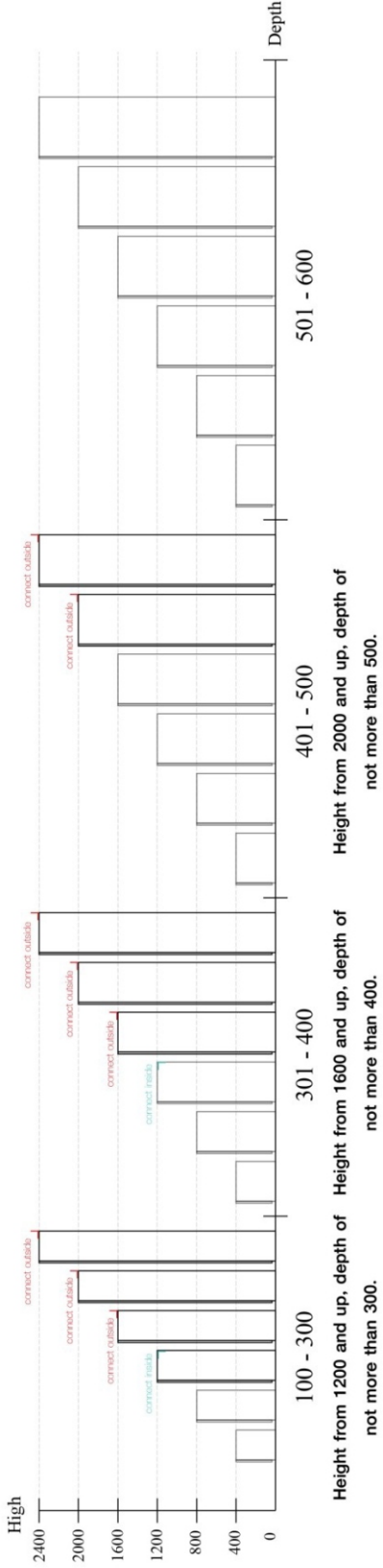


**The Standard for identifying which mounted safety fall protection fitting to use** **Note : That children's products must be installed with all anti-falling fittings.**

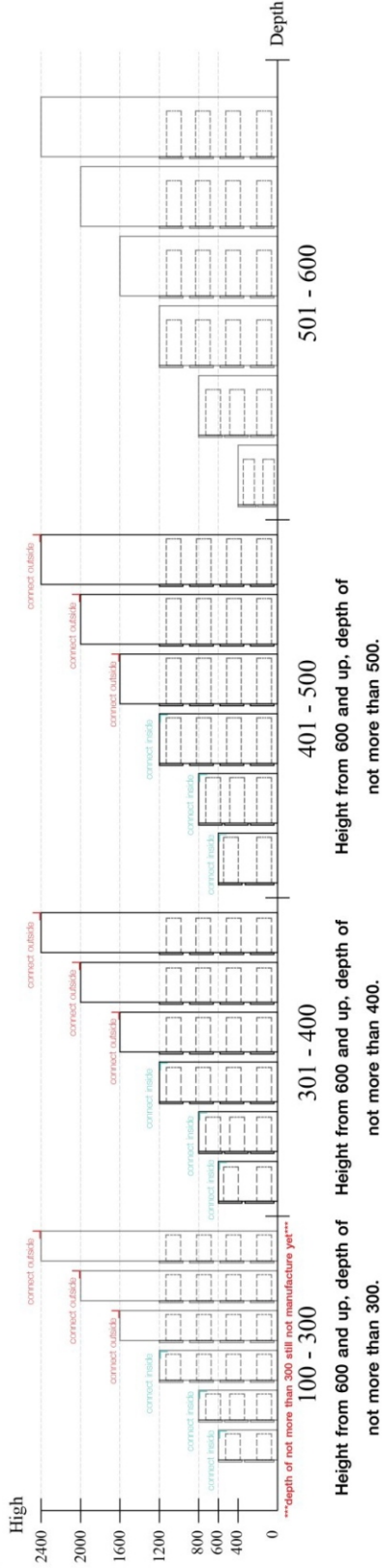
■ Mounted fall protection fittings



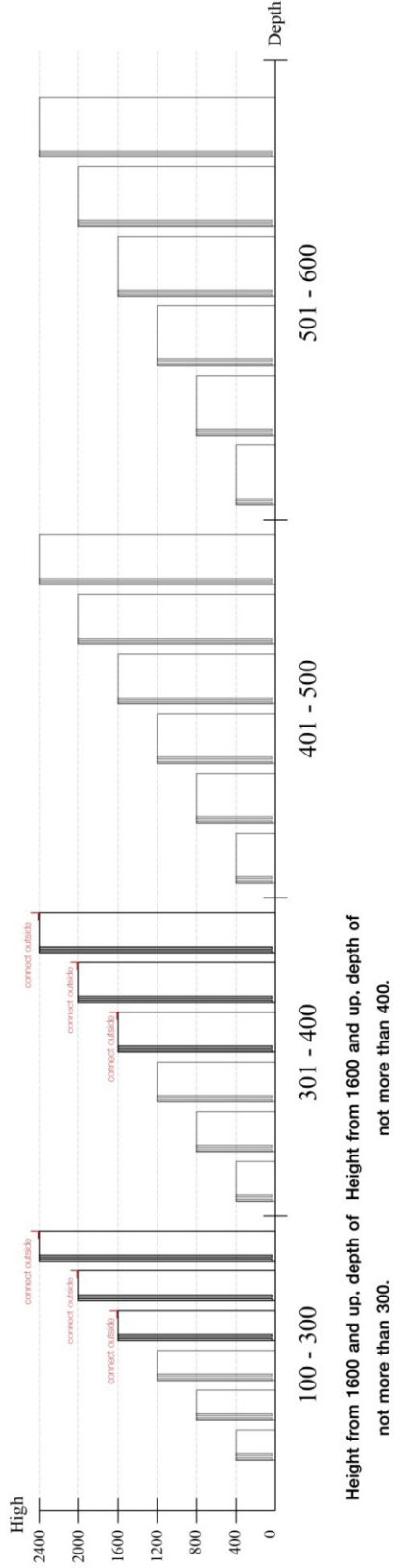
■ Category : Cabinet with open doors



■ Category : Chest of drawers



■ Category : Sliding door cabinet / Open cabinet

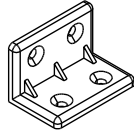


# HARDWARE

## -BODY SET



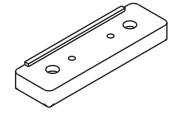
**x 32**



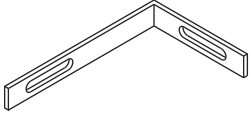
**x 10**



**x 9**



**x 12**



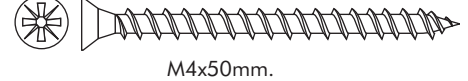
**x 1**



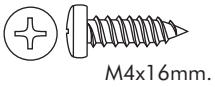
**x 9**



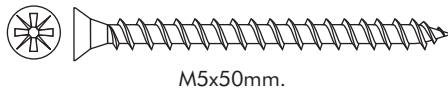
**x 76**



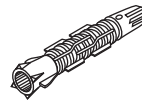
**x 7**



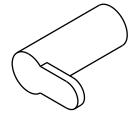
**x 4**



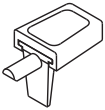
**x 1**



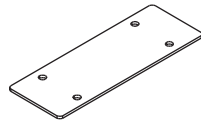
**x 1**



**x 3**



**x 16**



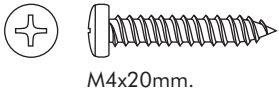
**x 3**



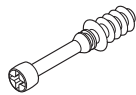
**x 6**



**x 14**



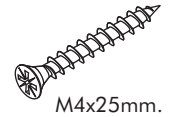
**x 6**



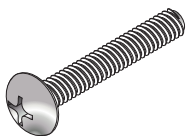
**x 18**



**x 18**

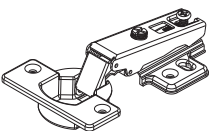


**x 3**

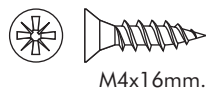


**x 3**

## -DOOR SET



**x 6**



**x 36**

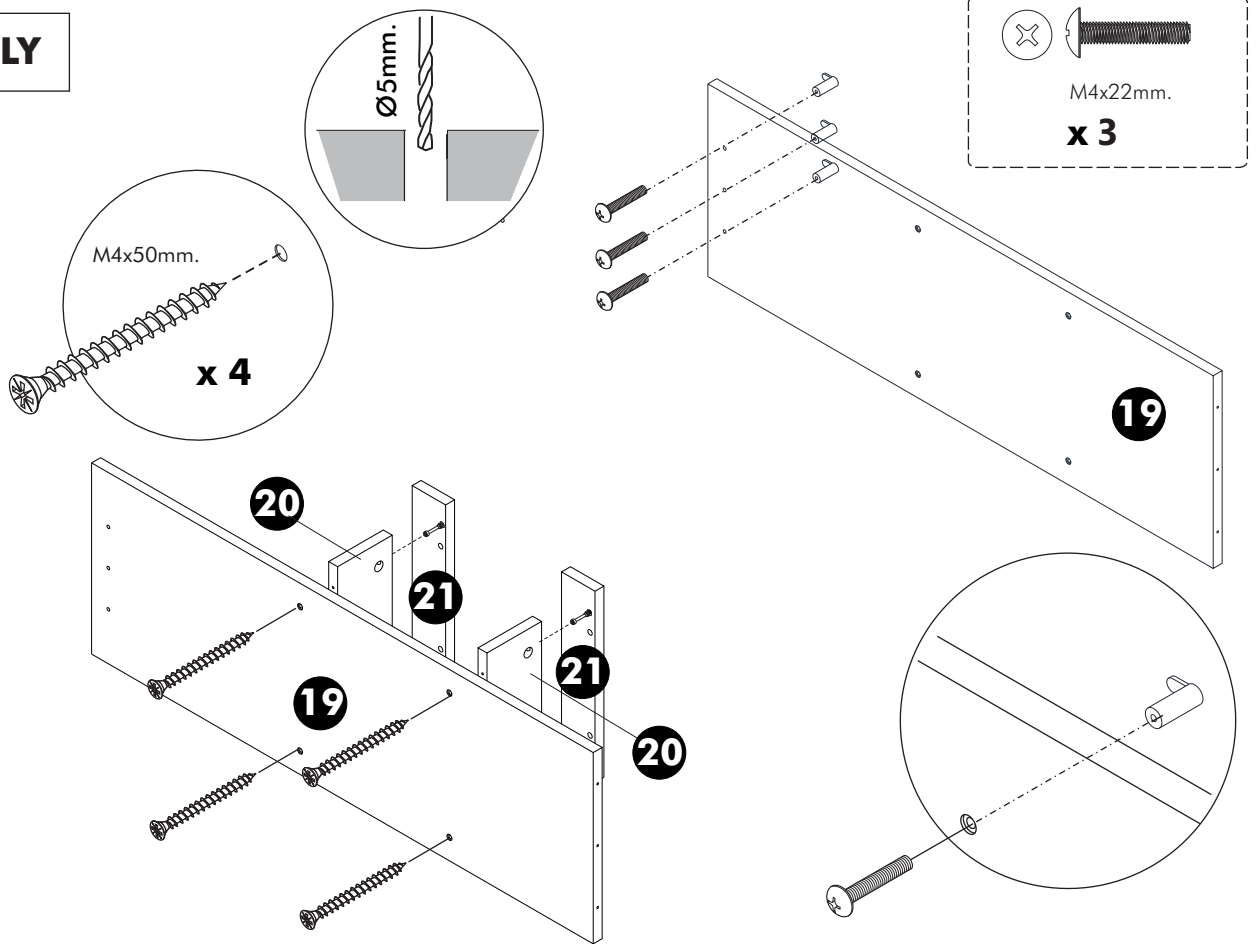


**x 4**

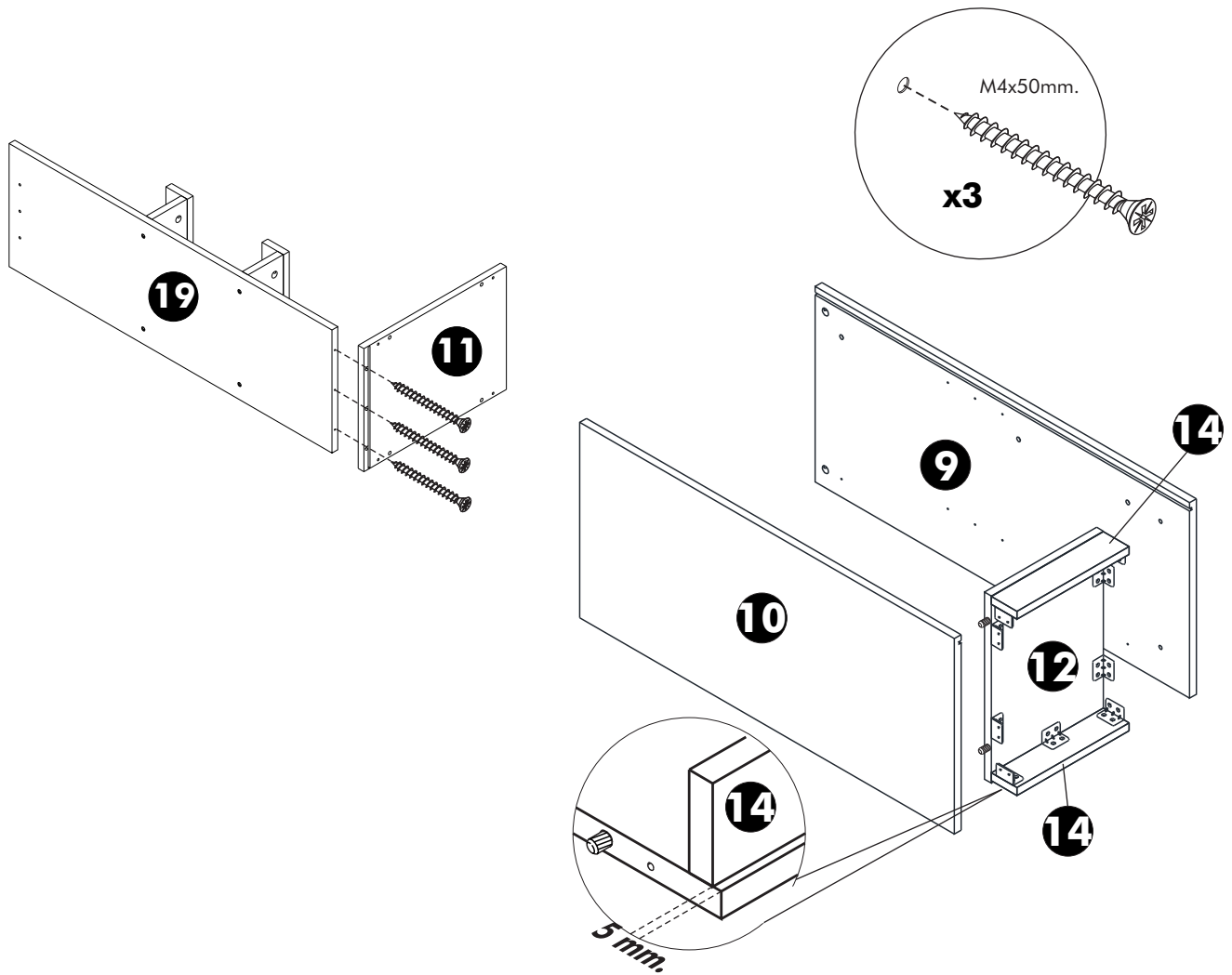
# ASSEMBLY

-BODY SET

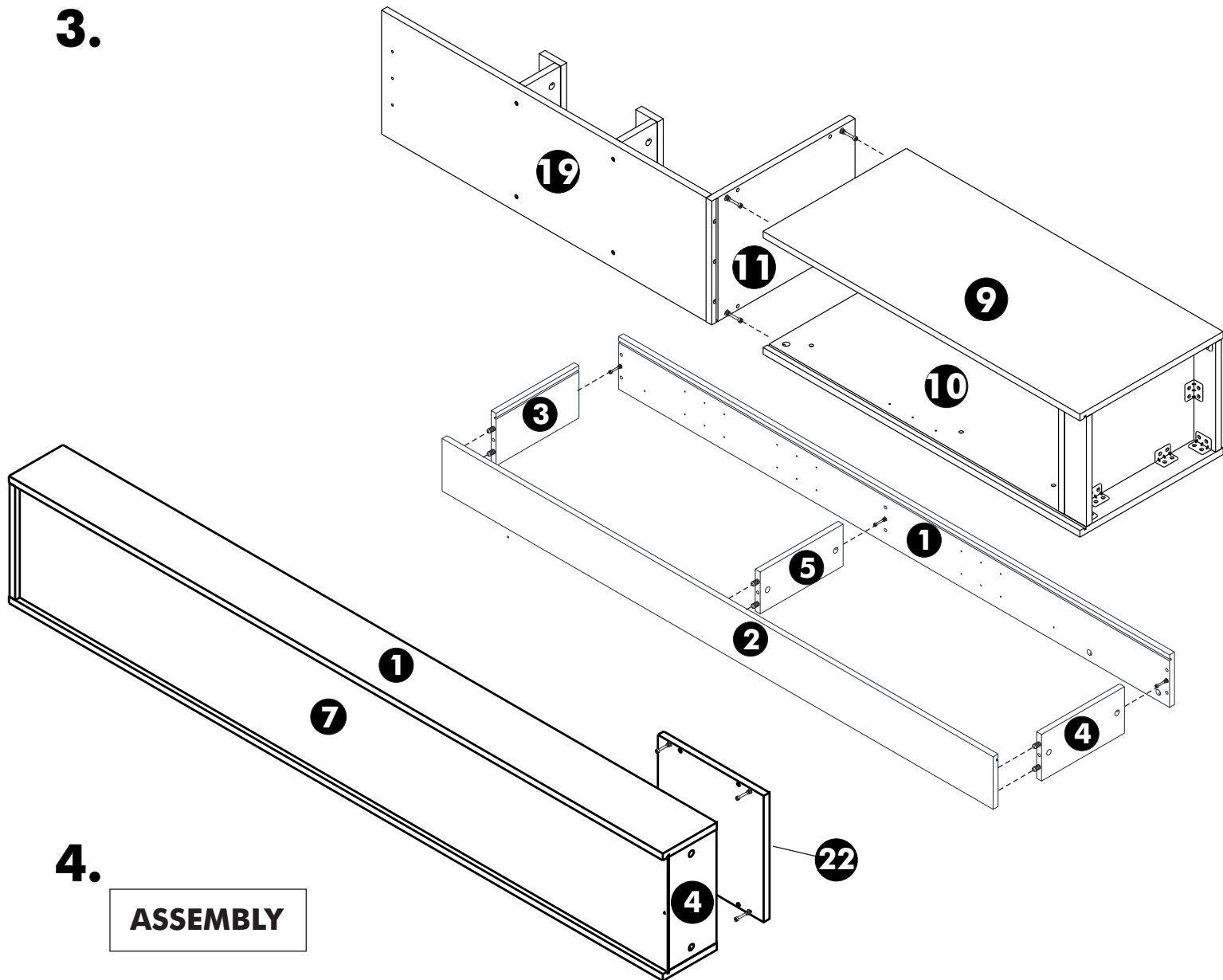
## 1.



## 2.



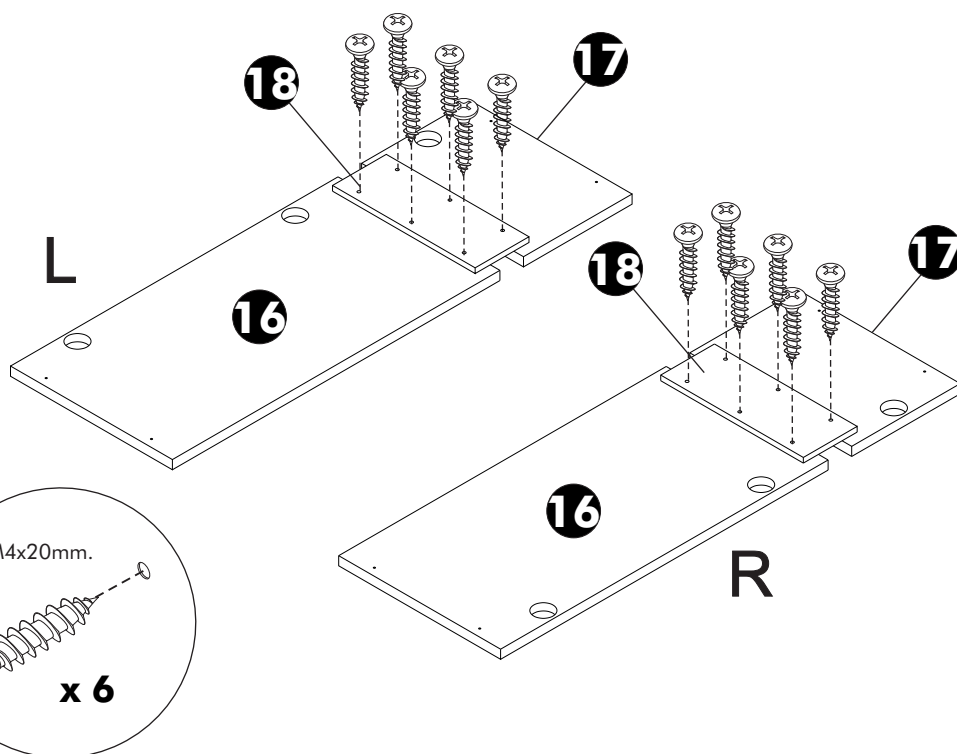
**3.**



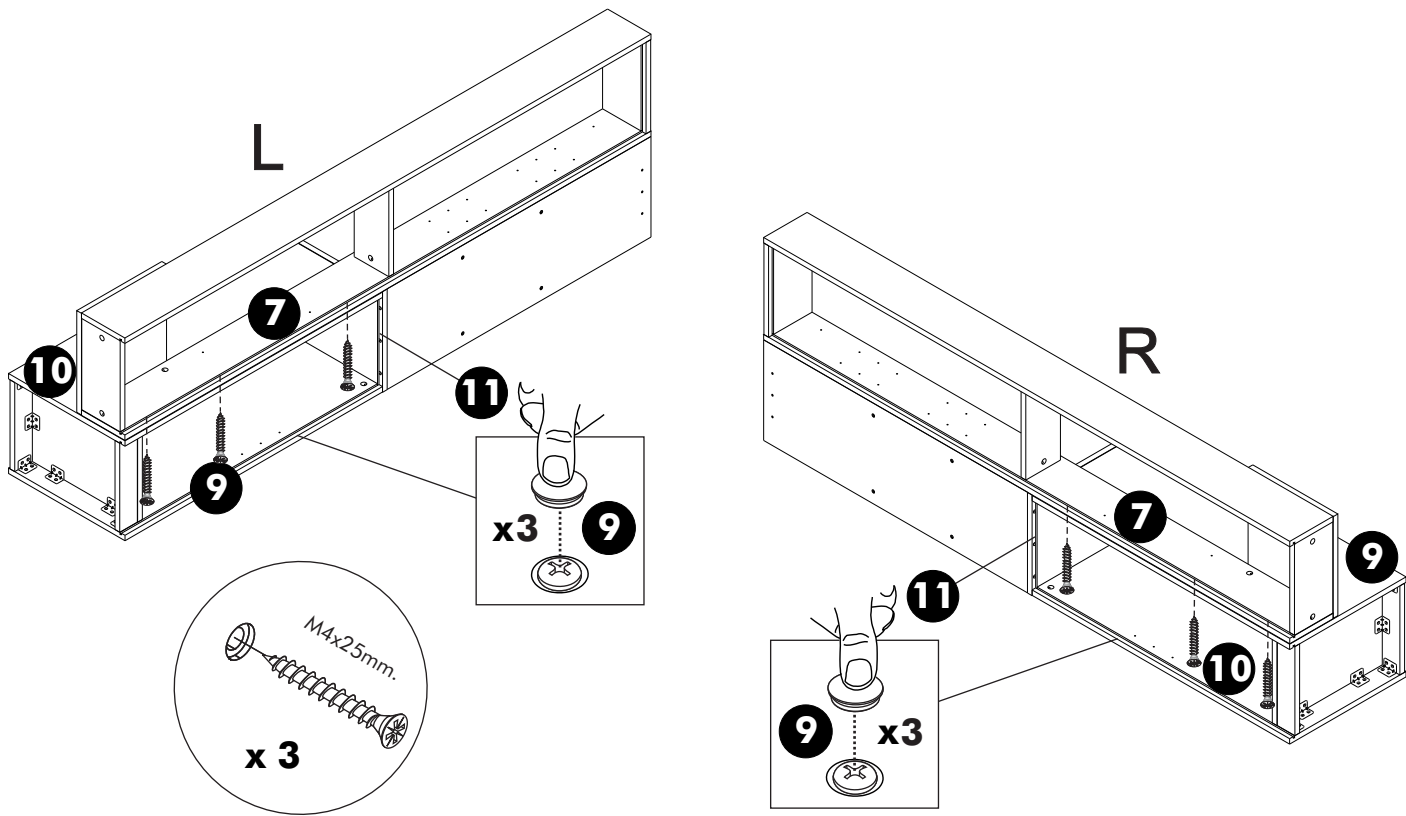
**4.**

**ASSEMBLY**

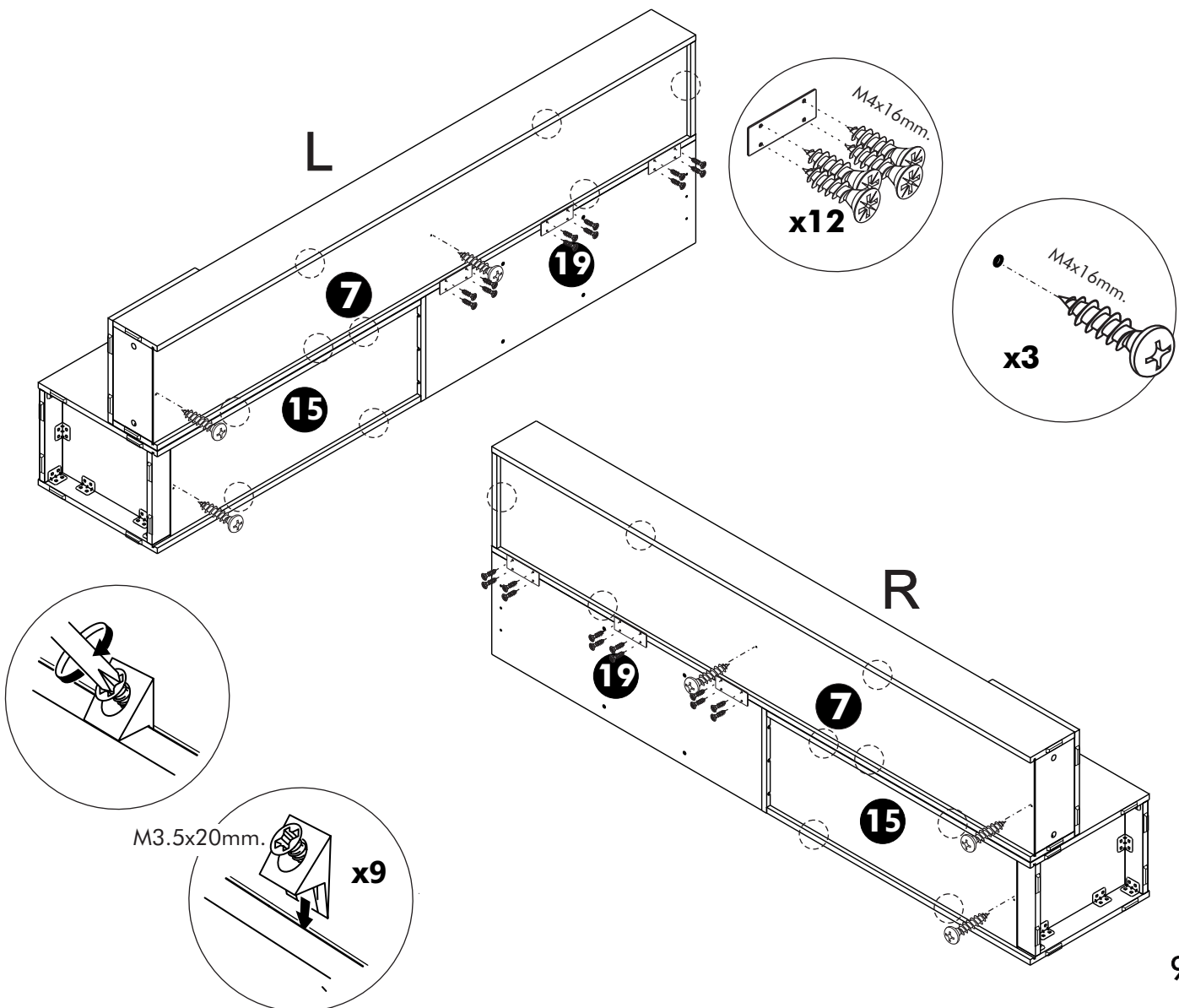
-BODY SET



5.



6.



**7.**

