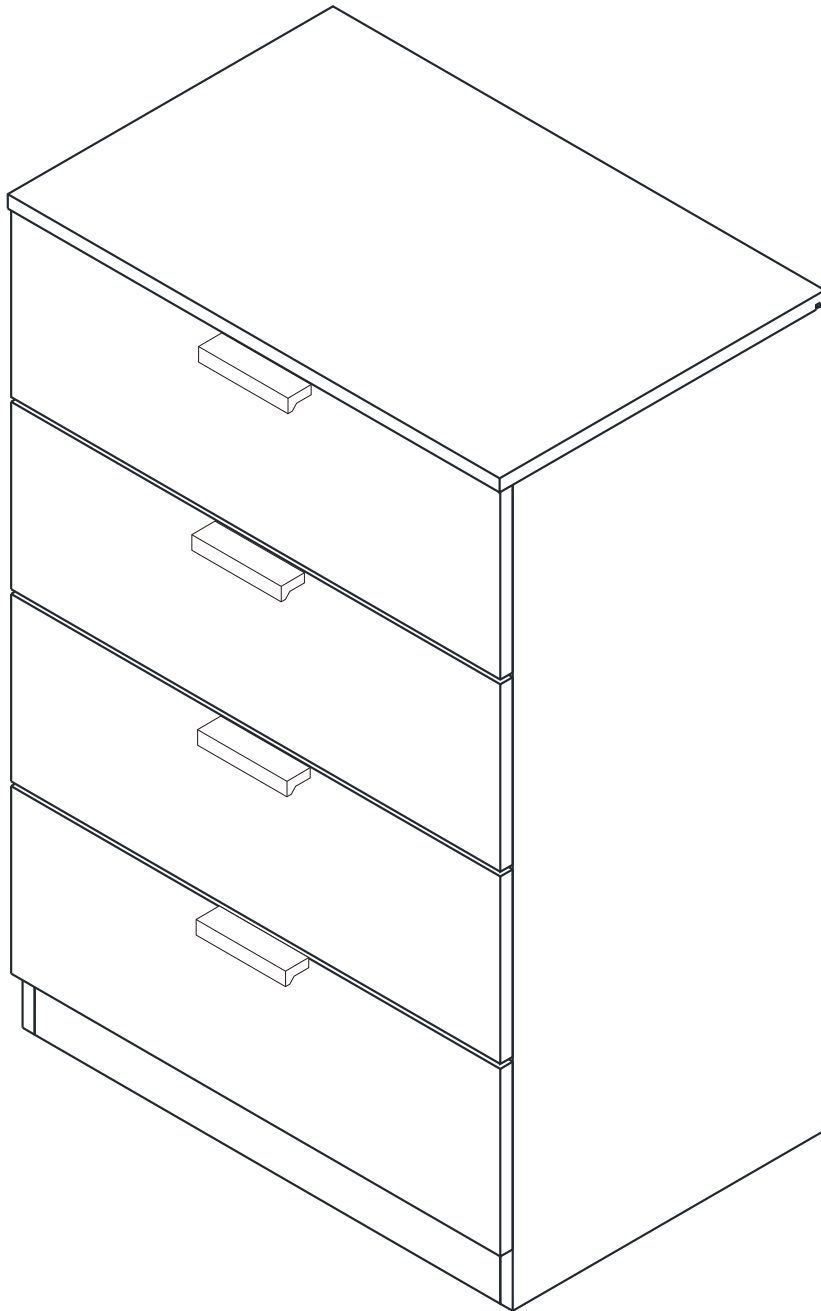


H-MAX

Chest 4 Drawers.



CONNECT SYSTEM

1

3

2

(Connecting bolts)

WHEN FITTING CAMS
 ENSURE STARTING POSITION IS CORRECT
 BEFORE YOU INSERT CONNECTING BOLT
 TURN CLOCKWISE UNTIL SECURE

✓	✗	✗	✗
↑	↑	↑	↑
CORRECT	WRONG		✗

M4x16mm.

OUT

M4x16mm.

IN

i

40mm.

EQ

M3.5x13mm.

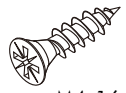
1

28mm.

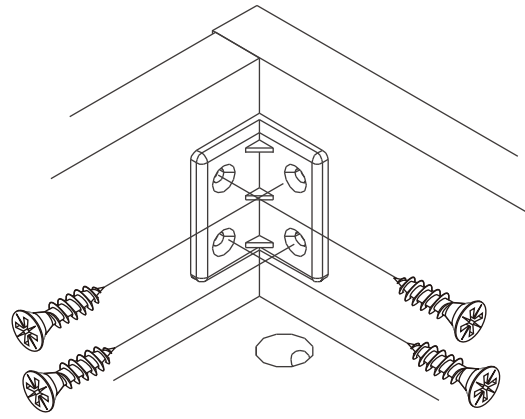
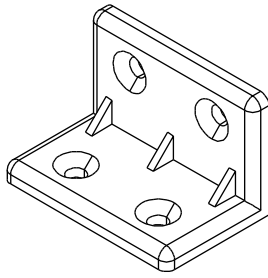
Use these holes

2

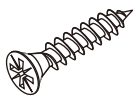
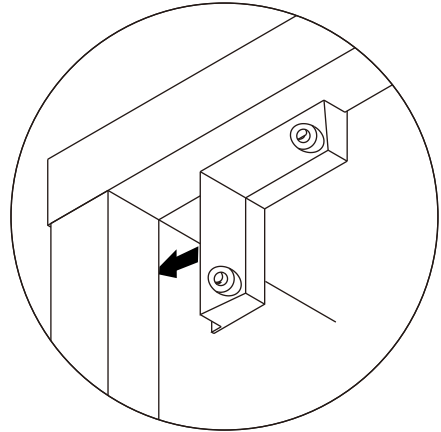
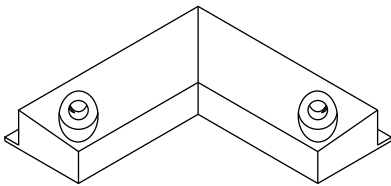
Use these holes



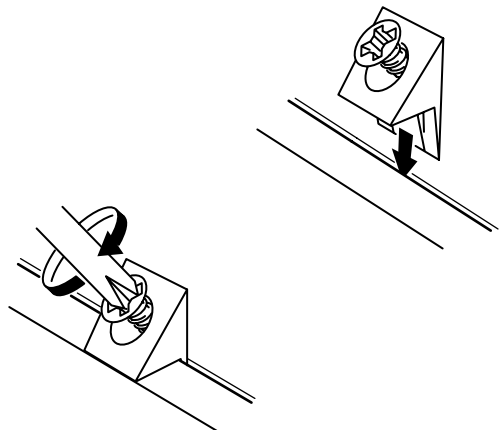
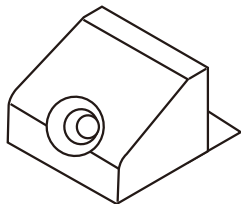
M4x16mm.

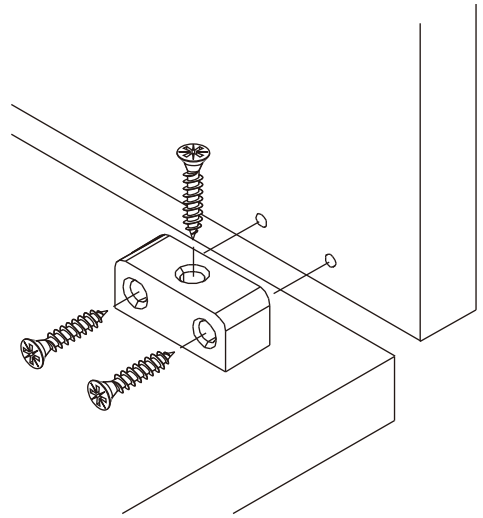
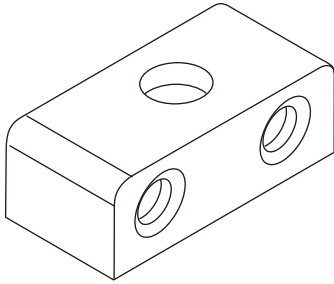
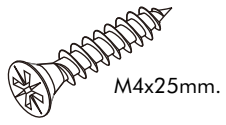


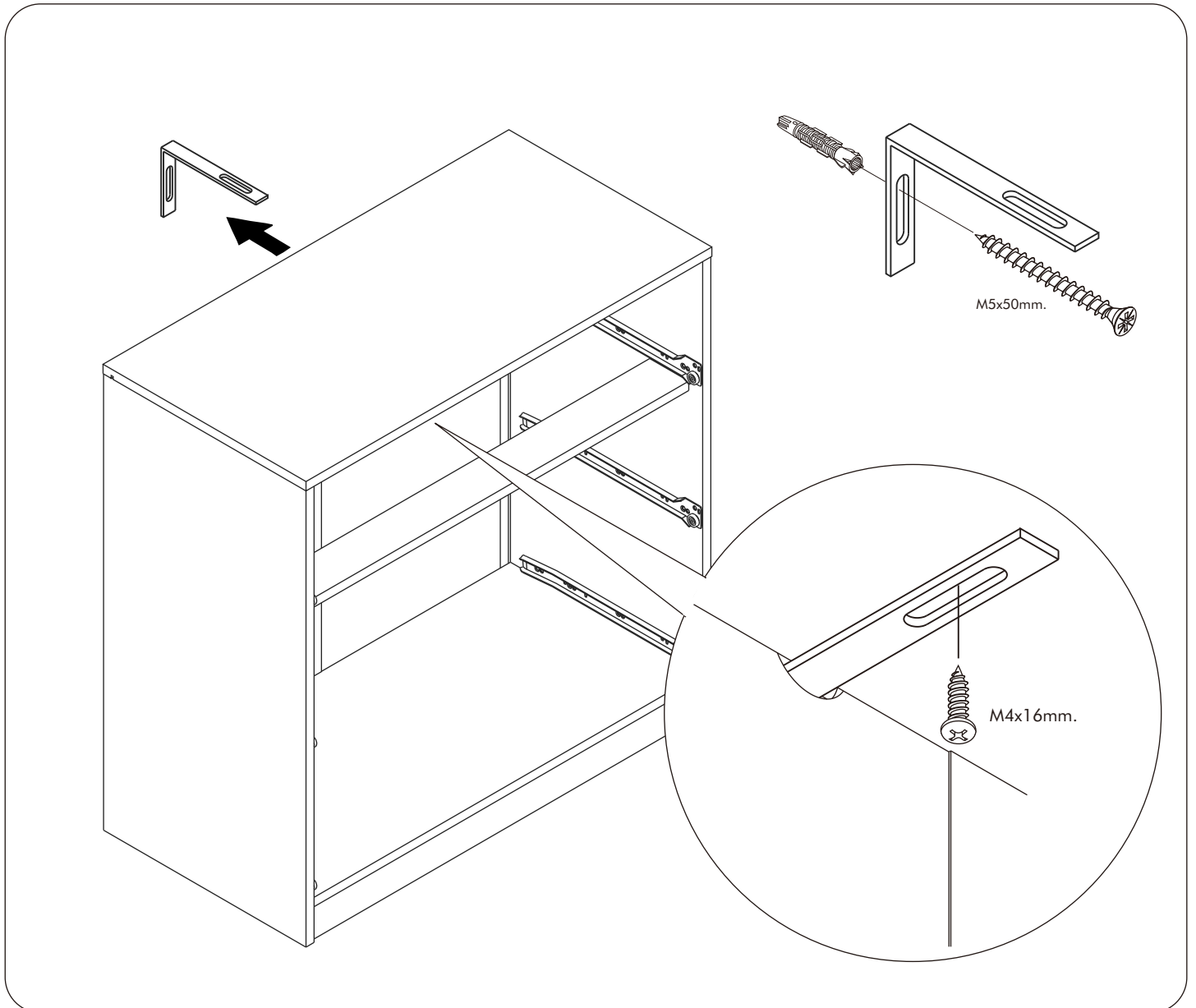
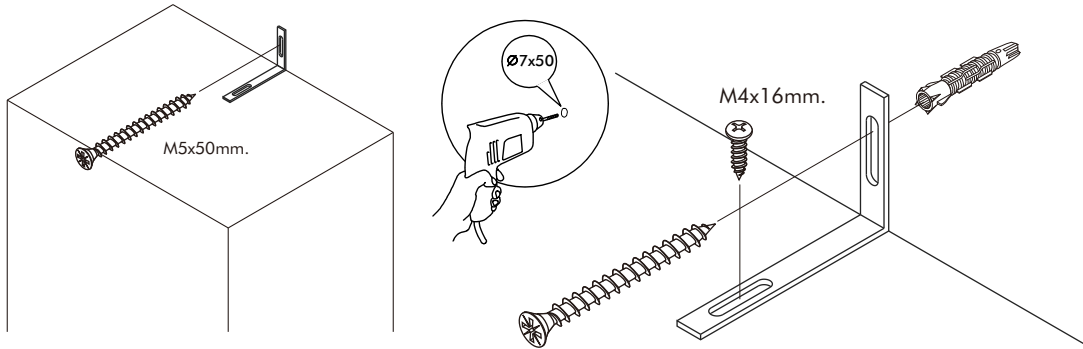
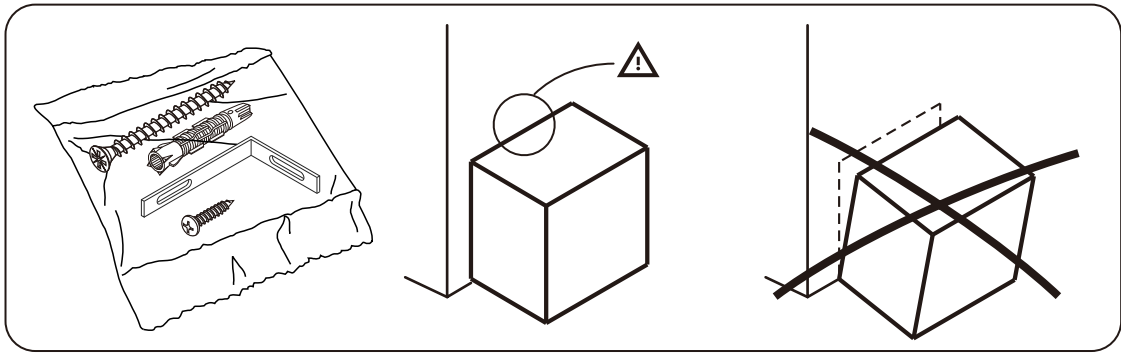
M3.5x20mm.



M3.5x20mm.

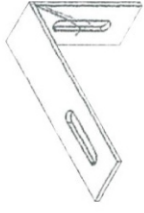




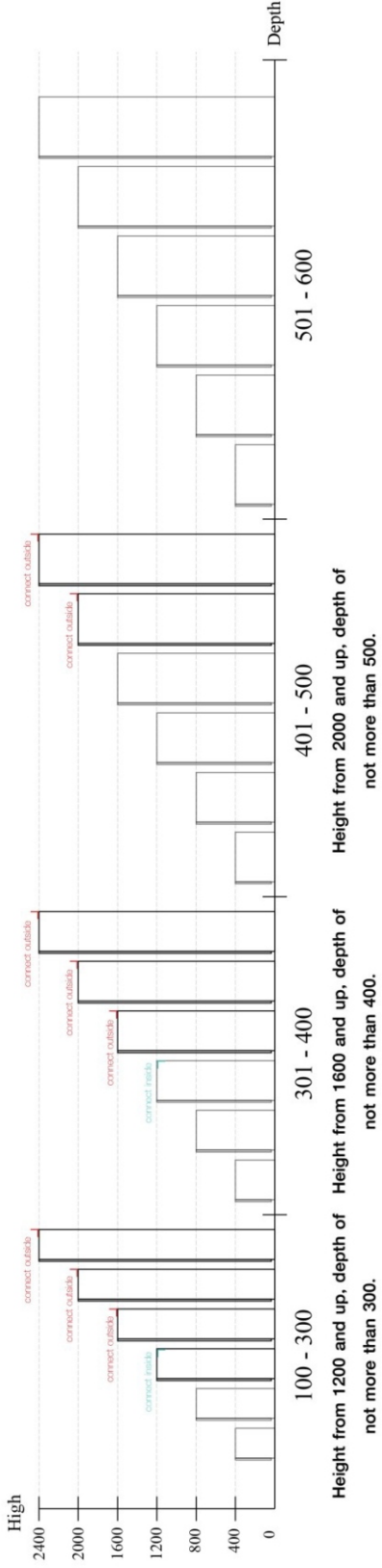


■ **The Standard for identifying which mounted safety fall protection fitting to use** **Note : That children's products must be installed with all anti-falling fittings.**

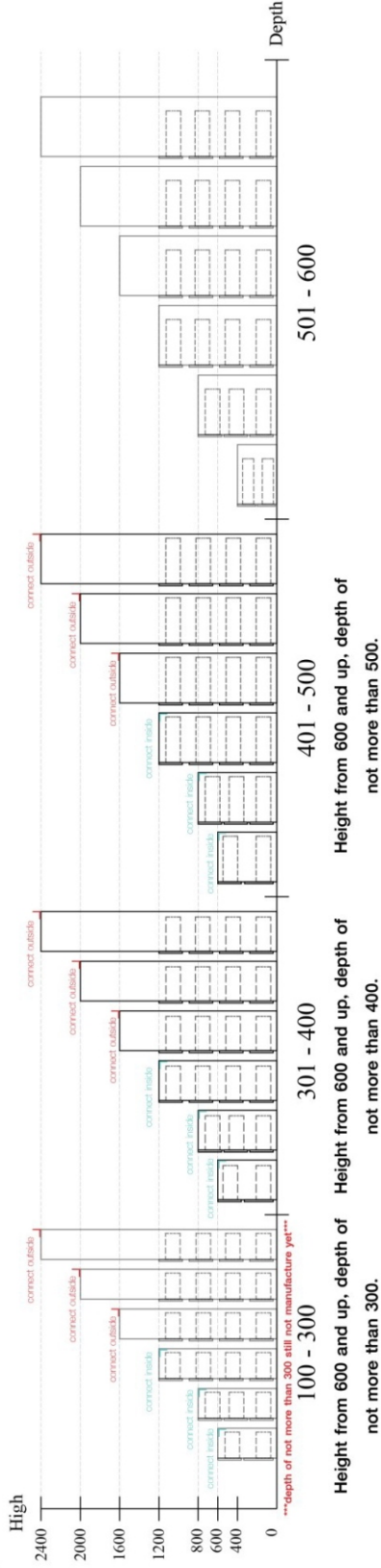
■ Mounted fall protection fittings



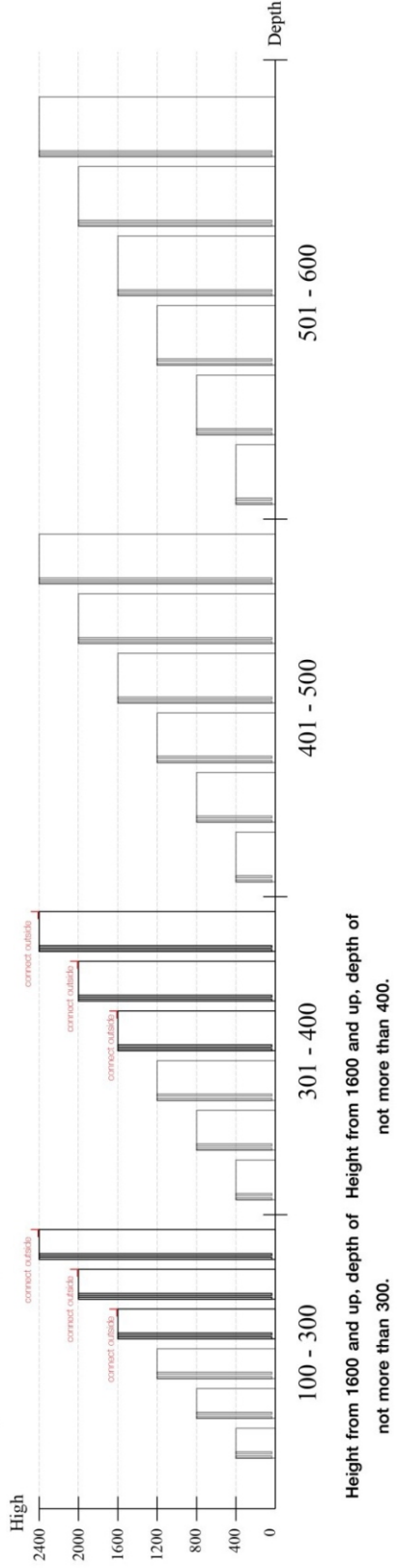
■ **Category : Cabinet with open doors**



■ **Category : Chest of drawers**



■ **Category : Sliding door cabinet / Open cabinet**



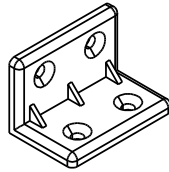
HARDWARE

-BODY SET

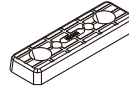


#8x35

x 16



x 14

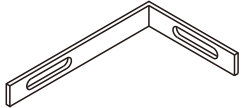


x 8

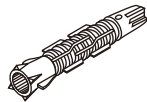


M4x16mm.

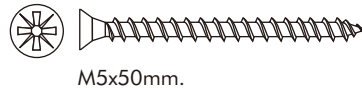
x 72



x 1



x 1



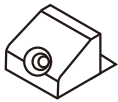
M5x50mm.

x 1

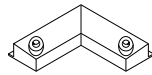


M4x16mm.

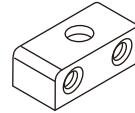
x 3



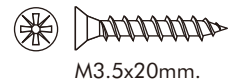
x 6



x 2

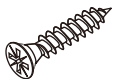


x 8



M3.5x20mm.

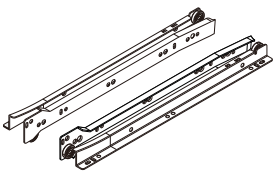
x 10



M4x25mm.

x 24

-DRAWER SET



x 4



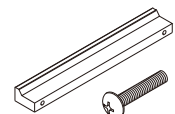
M3.5x13mm.

x 56



TFL4 M6x25

x 8



#M4x22

x 4/8



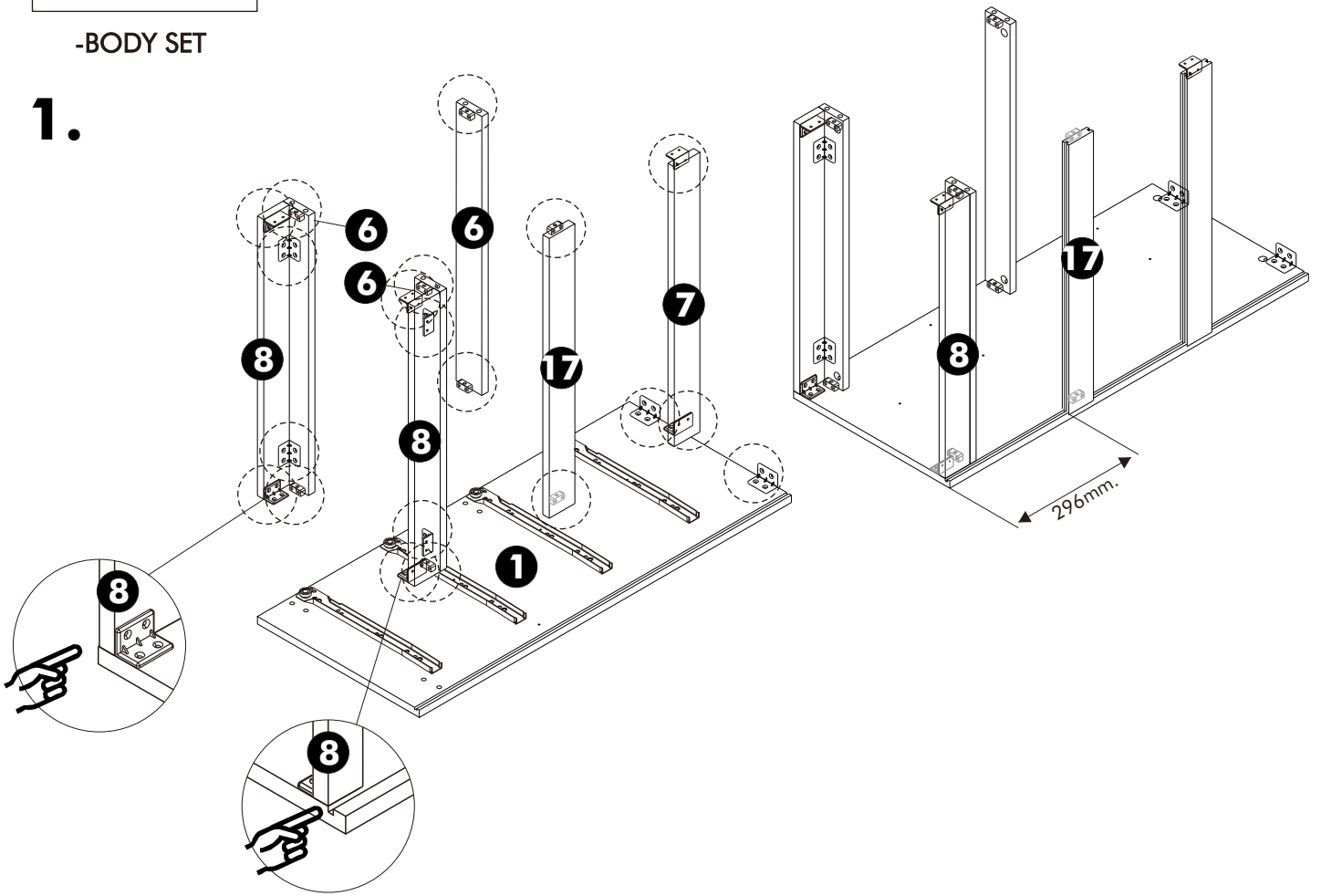
M4x40mm.

x 40

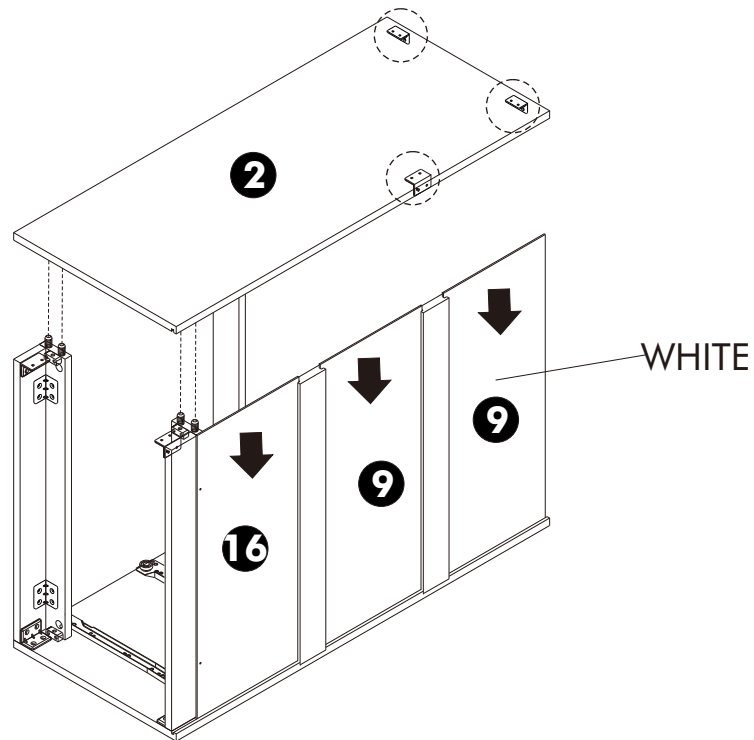
ASSEMBLY

-BODY SET

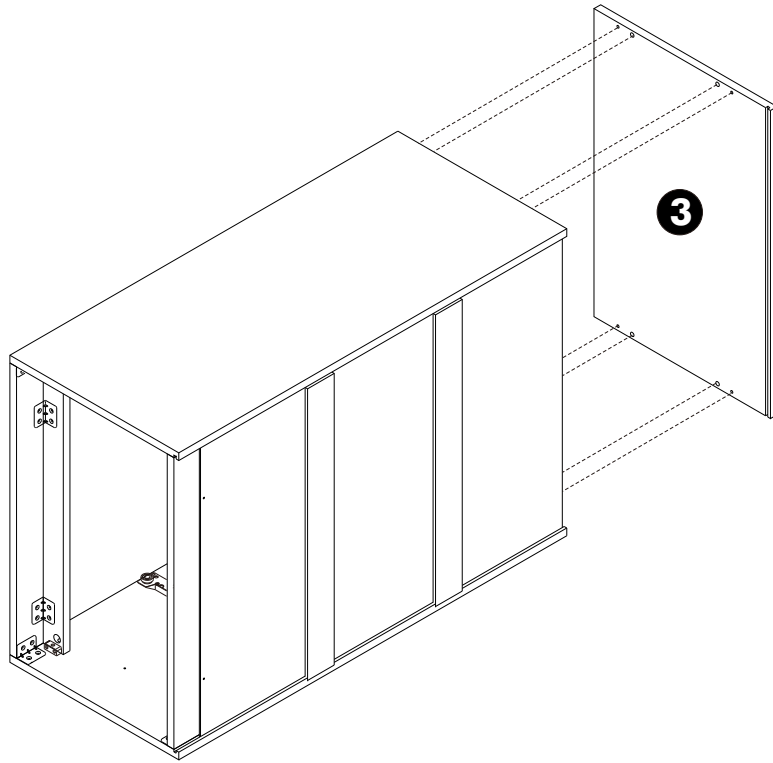
1.



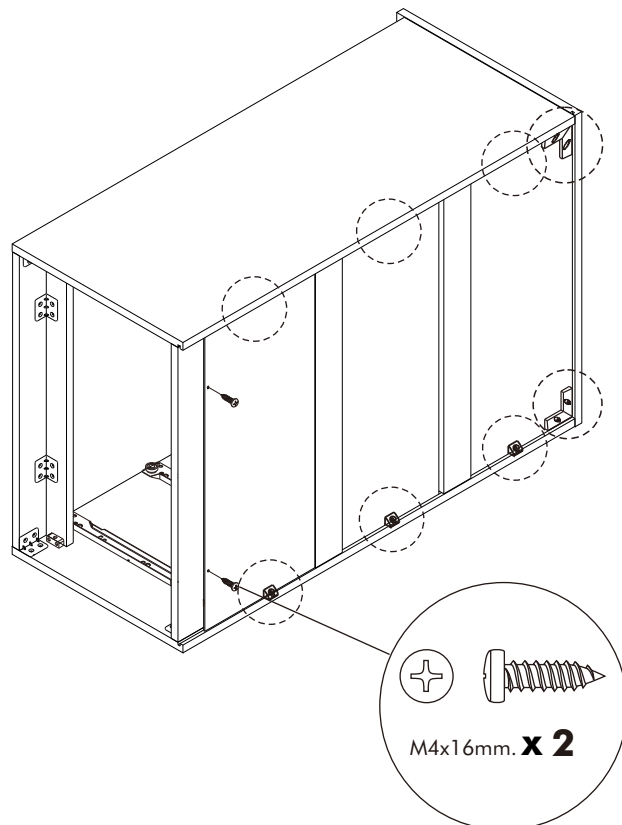
2.



3.



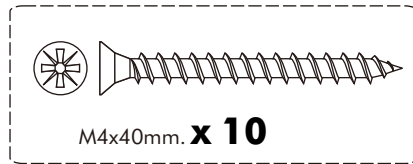
4.



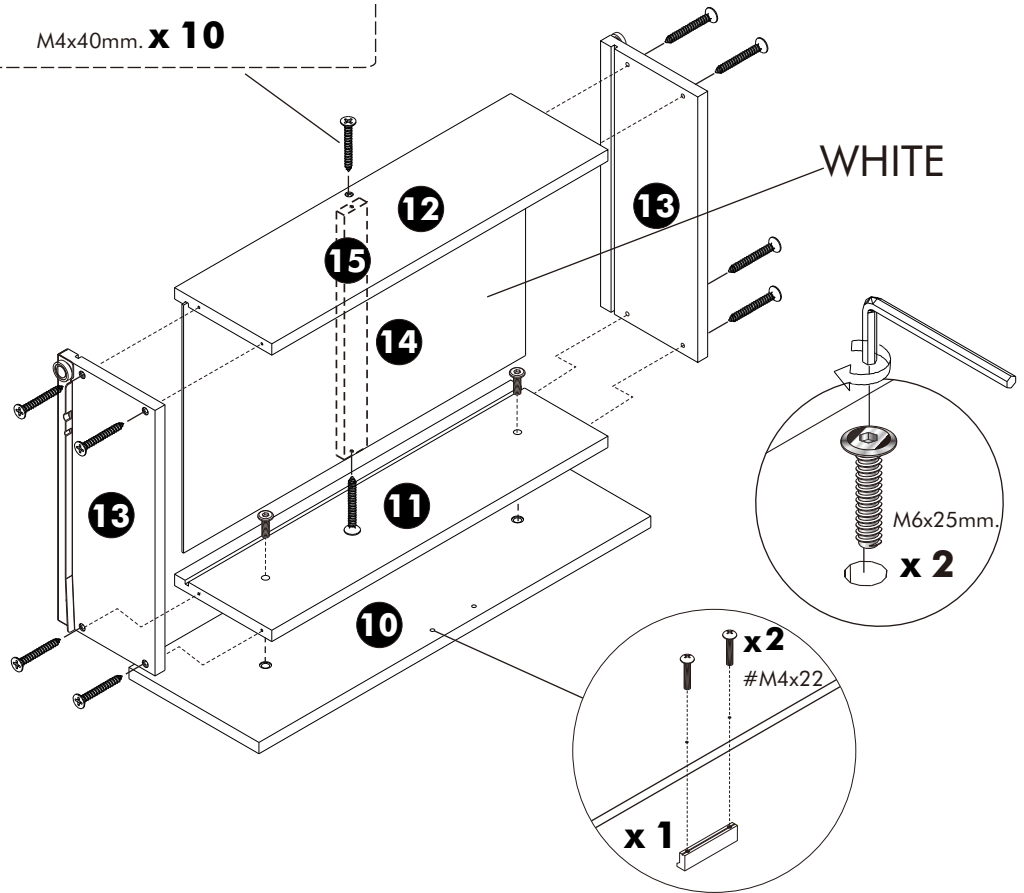
5.

ASSEMBLY

-DRAWER SET



4 set.



6.

