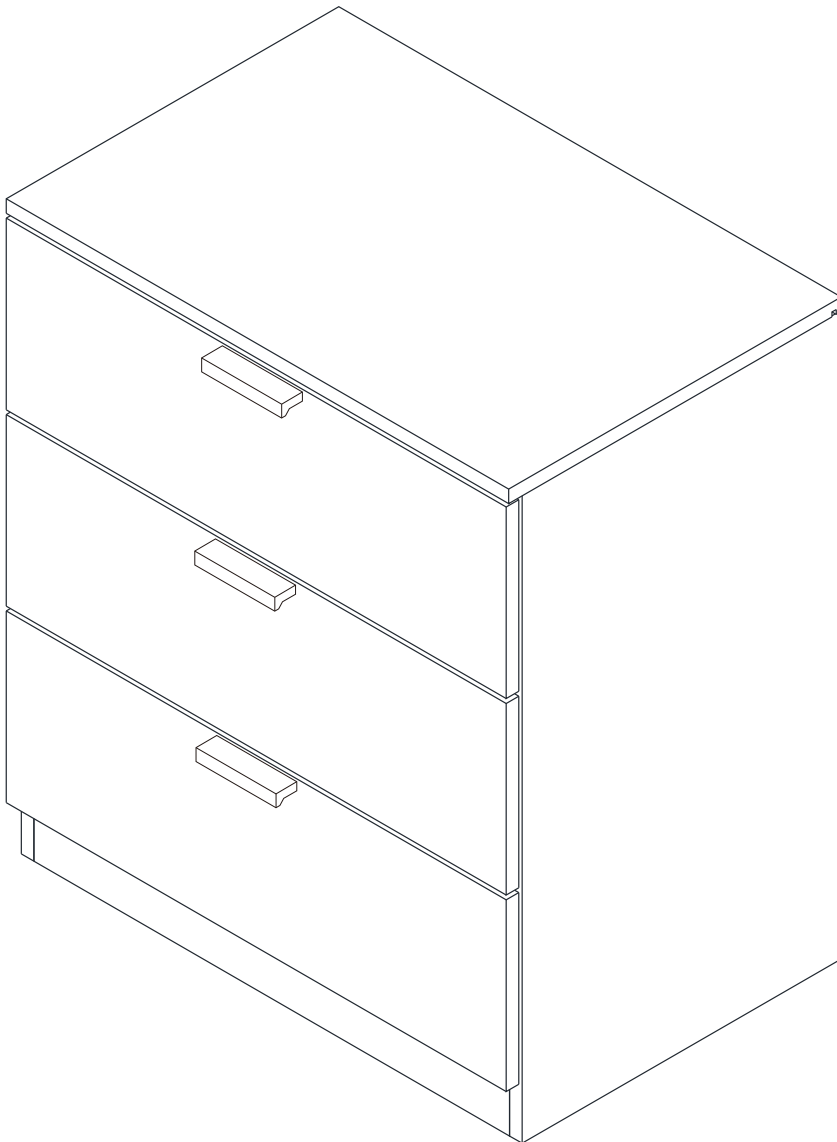
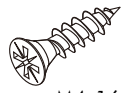


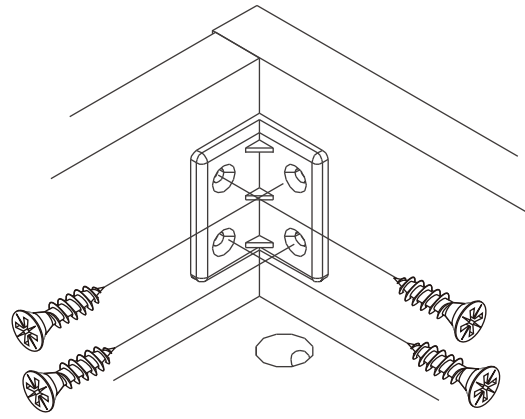
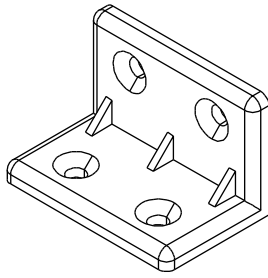
H-MAX

Chest 3 Drawers.

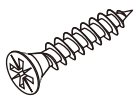
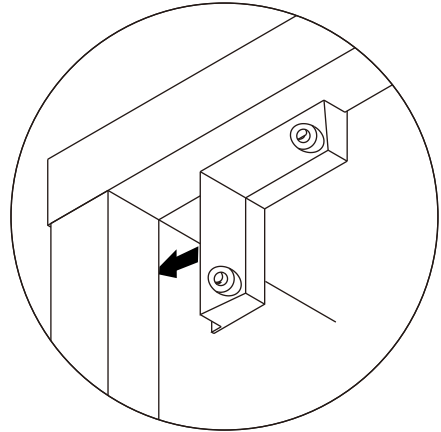
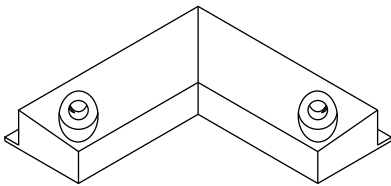




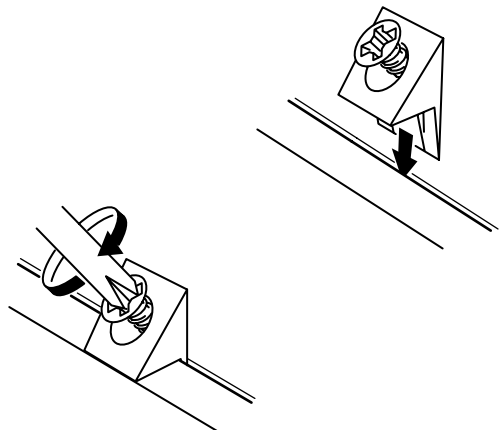
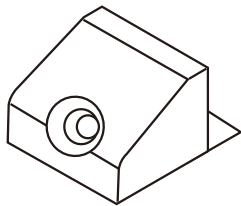
M4x16mm.

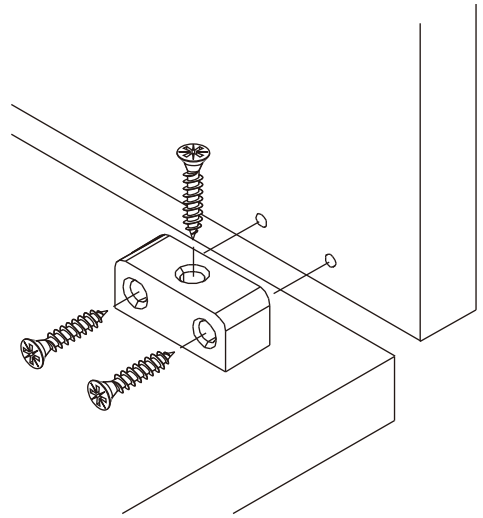
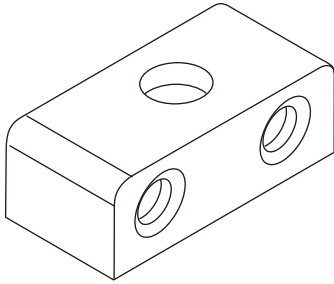
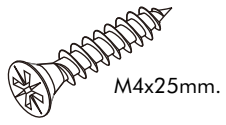


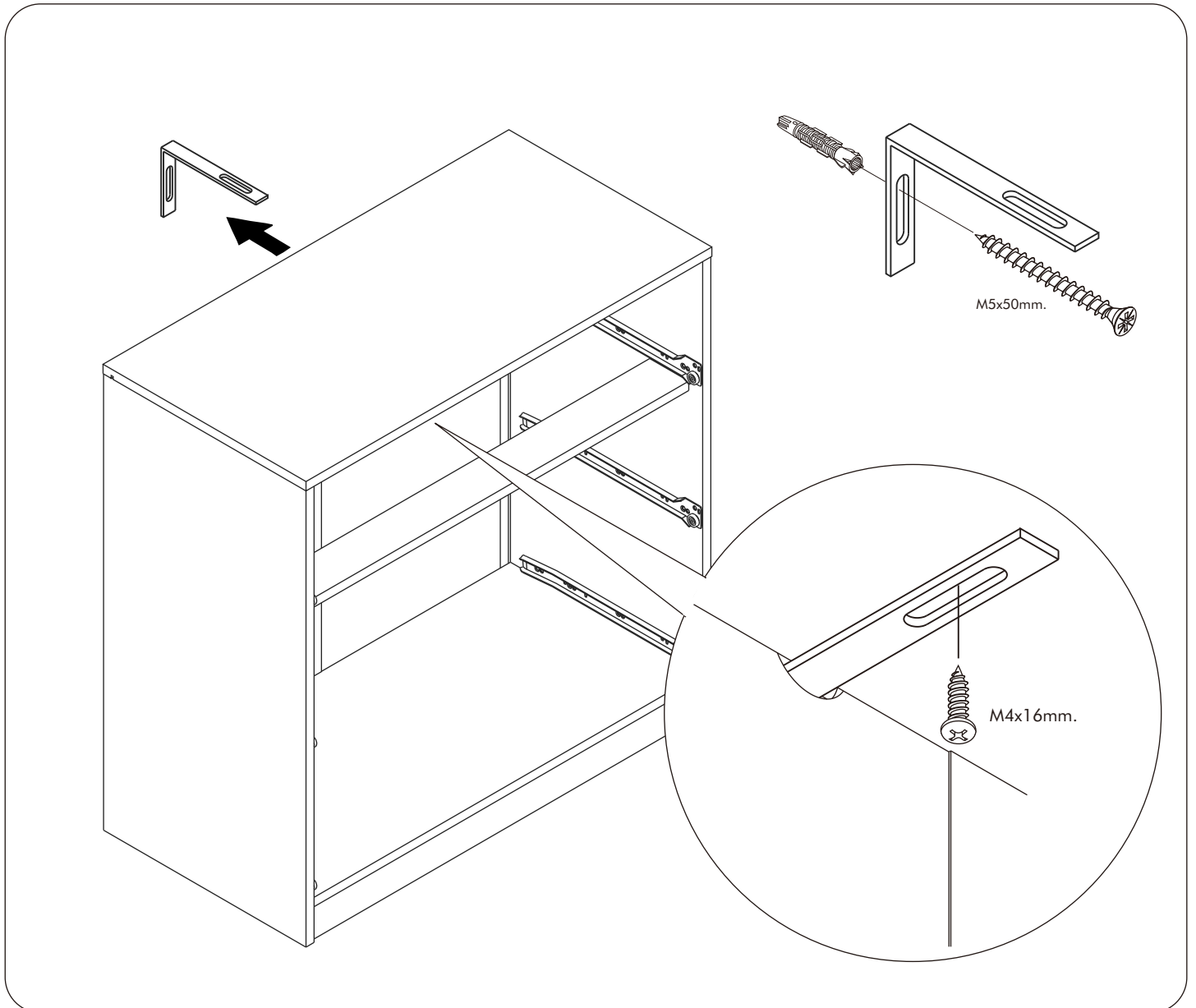
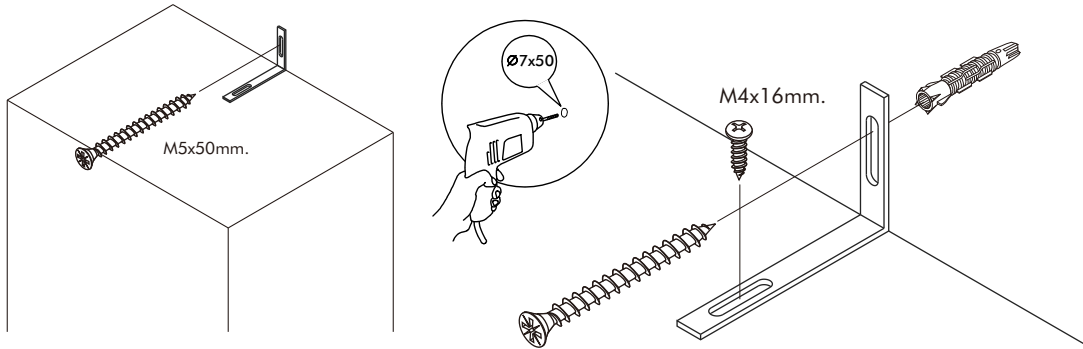
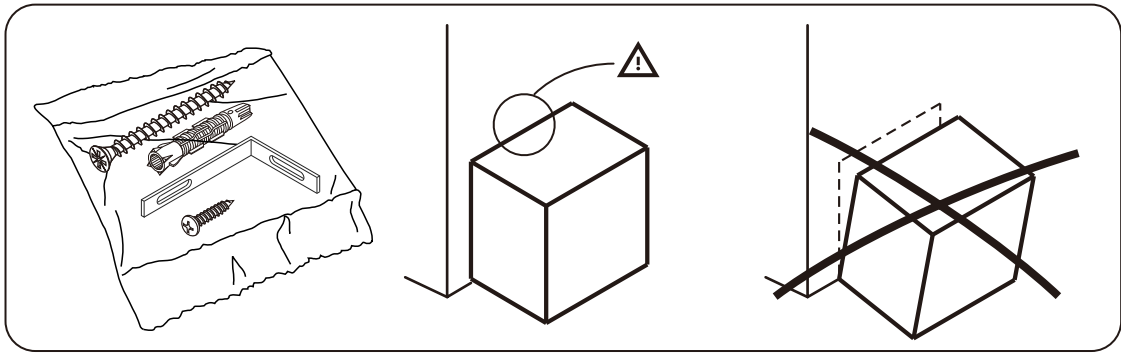
M3.5x20mm.



M3.5x20mm.

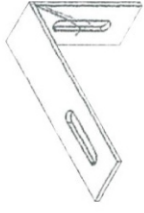




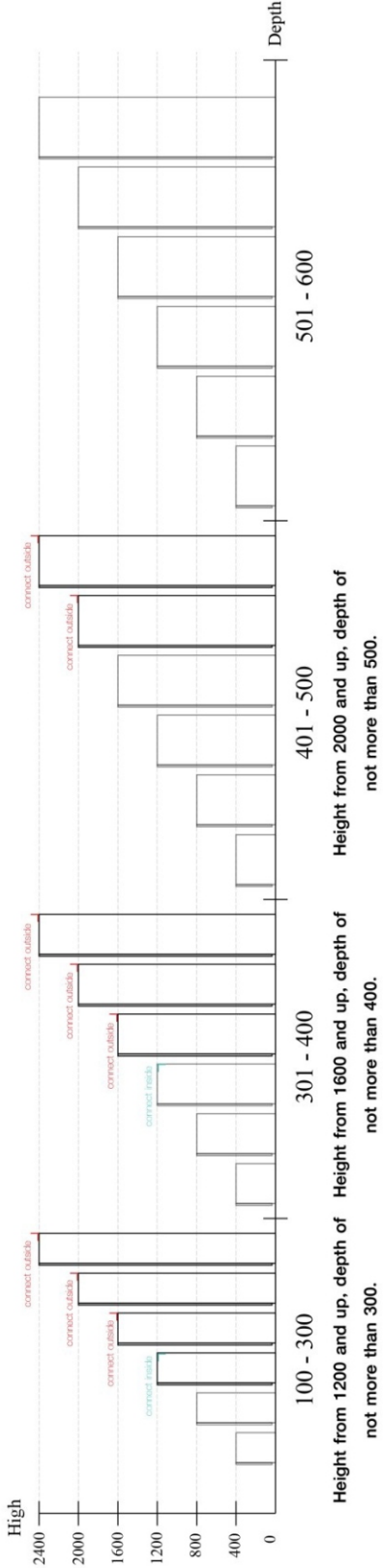


■ **The Standard for identifying which mounted safety fall protection fitting to use** **Note : That children's products must be installed with all anti-falling fittings.**

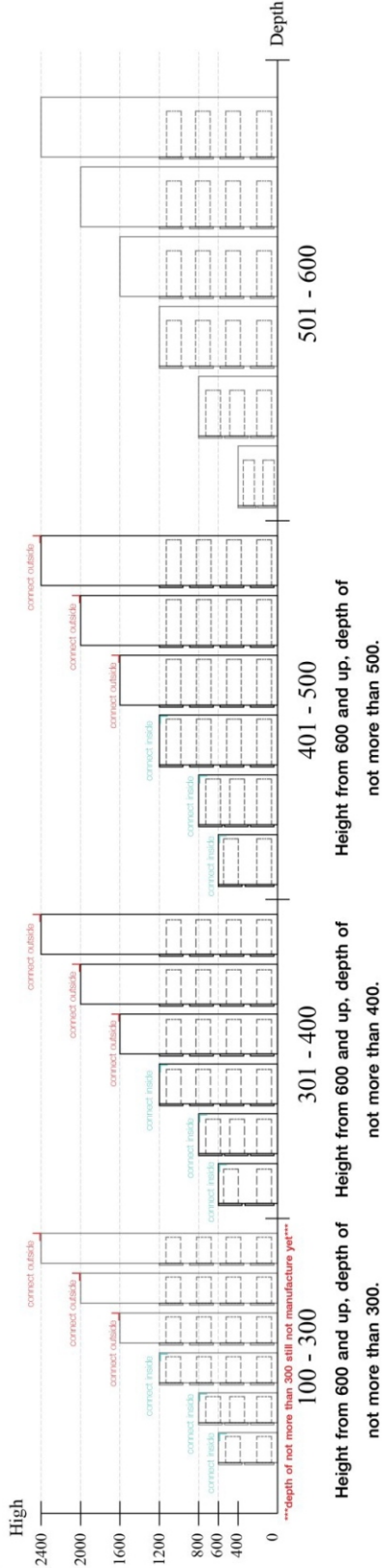
■ Mounted fall protection fittings



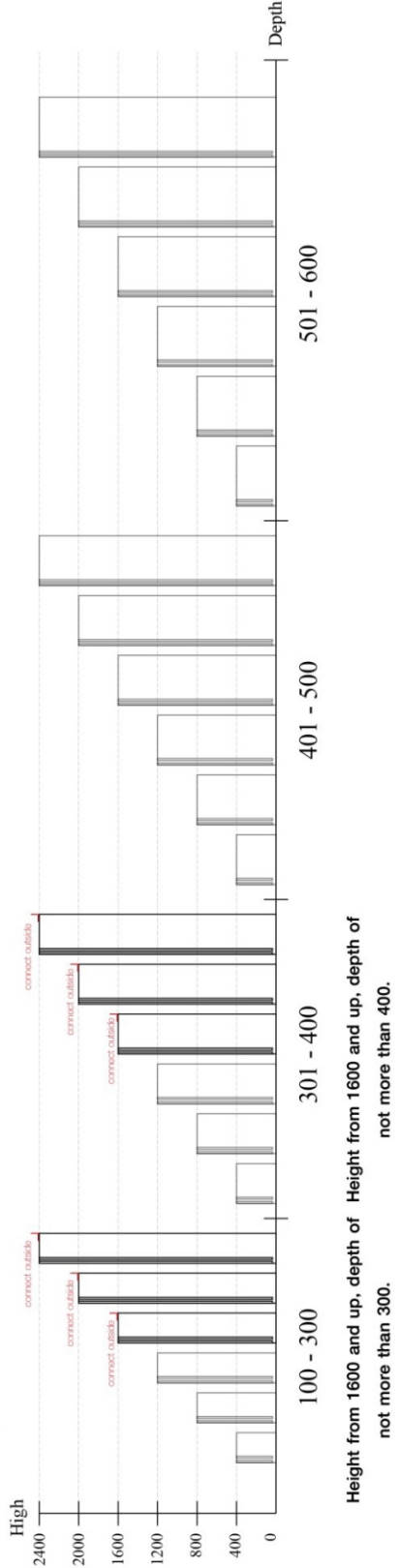
■ **Category : Cabinet with open doors**



■ **Category : Chest of drawers**



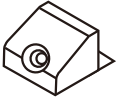
■ **Category : Sliding door cabinet / Open cabinet**



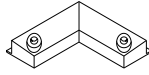
depth of not more than 300 still not manufacture yet

HARDWARE

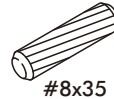
-BODY SET



x 4

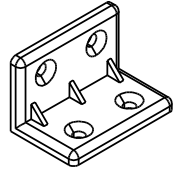


x 2

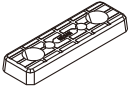


#8x35

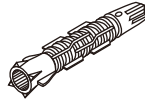
x 16



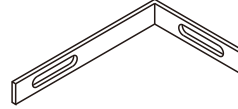
x 14



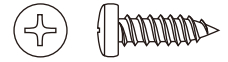
x 8



x 1



x 1



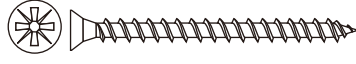
M4x16mm.

x 3



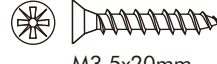
M4x16mm.

x 72



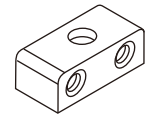
M5x50mm.

x 1

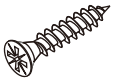


M3.5x20mm.

x 8



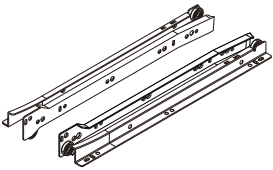
x 6



M4x25mm.

x 18

-DRAWER SET



x 3



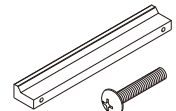
M3.5x13mm.

x 42



TFL4 M6x25

x 6



#M4x22

x 3/6



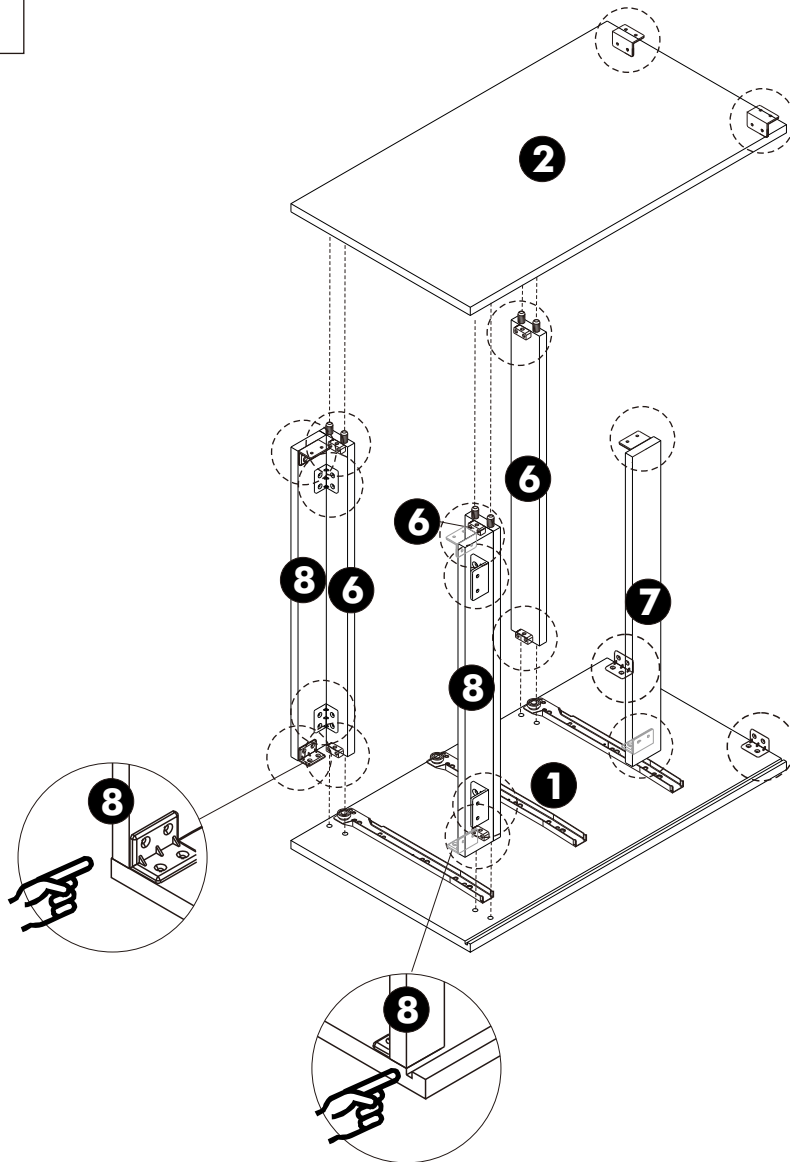
M4x40mm.

x 30

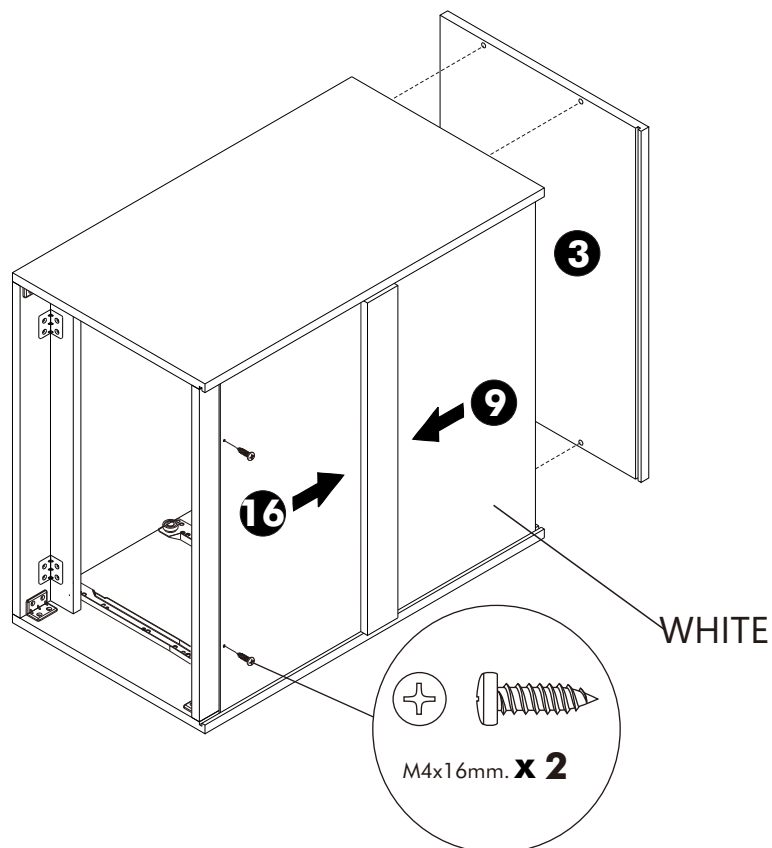
ASSEMBLY

-BODY SET

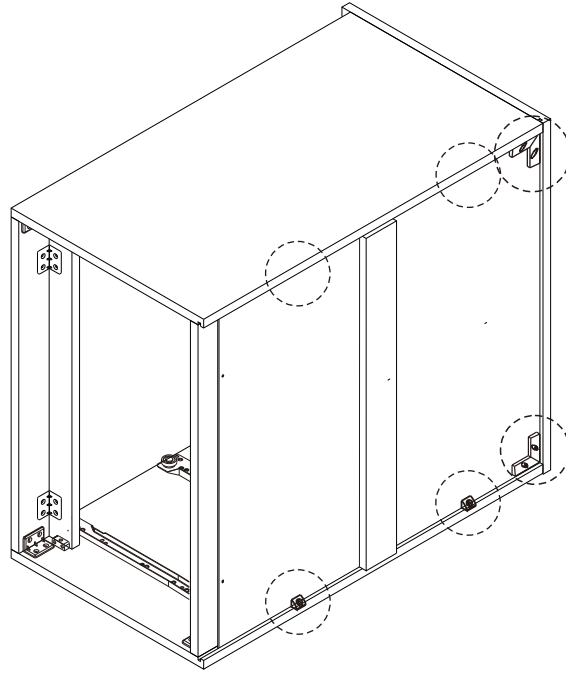
1.



2.



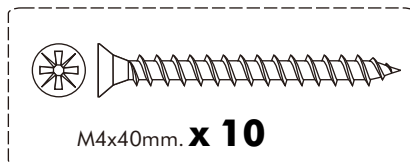
3.



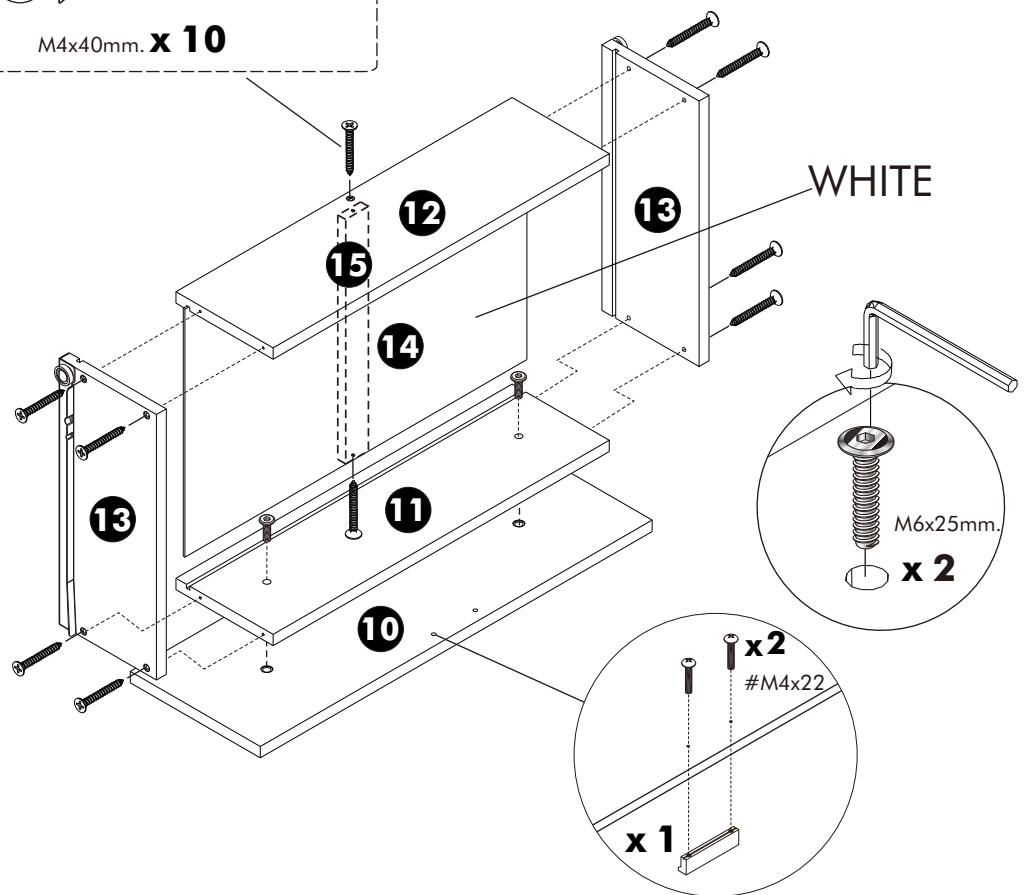
4.

ASSEMBLY

-DRAWER SET



3 set.



5.

