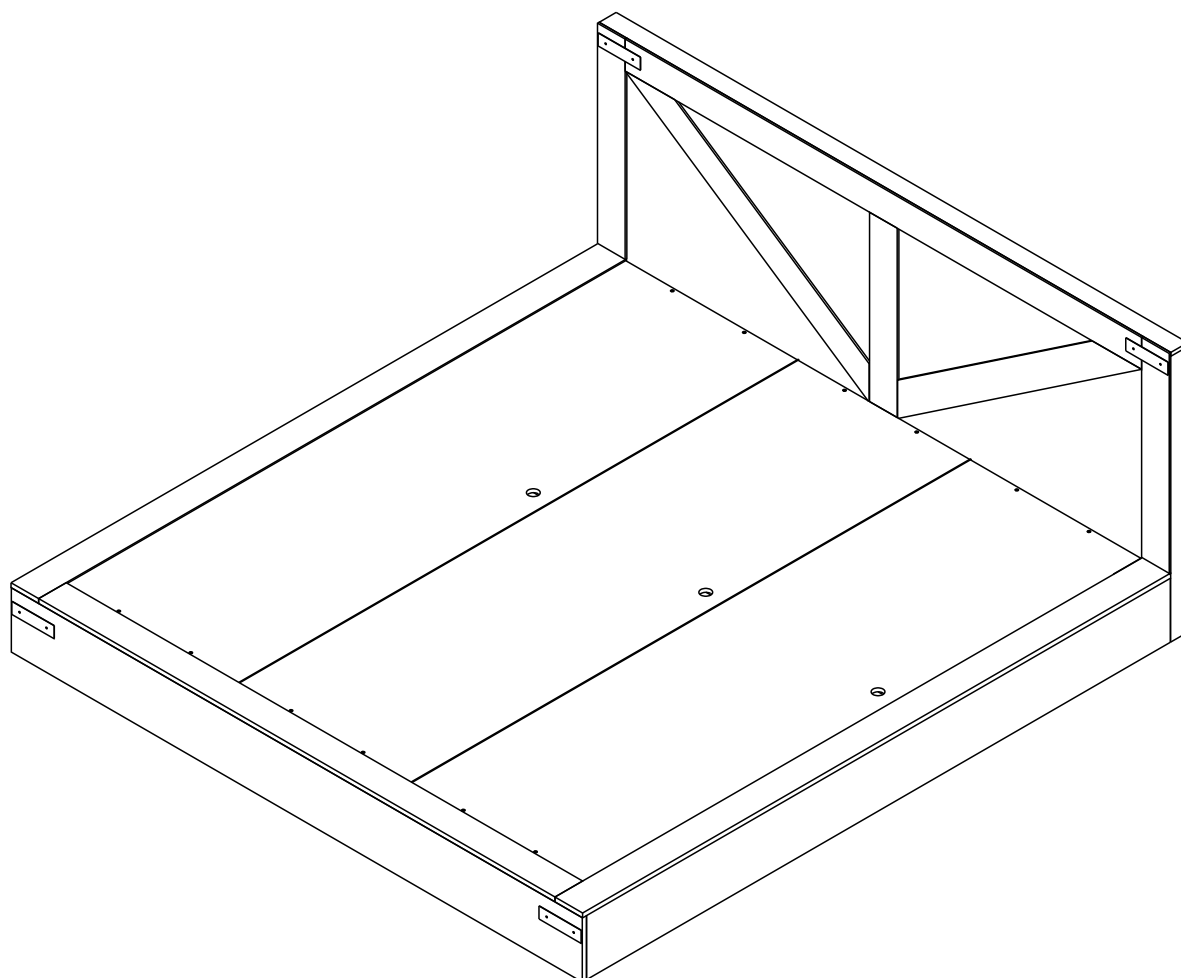


BERLIN

BED 6 ft.



CONNECT SYSTEM

1

3

2

(Connecting bolts)

WHEN FITTING CAMS
ENSURE STARTING POSITION IS CORRECT
BEFORE YOU INSERT CONNECTING BOLT
TURN CLOCKWISE UNTIL SECURE

| | | | | |
|----------------|--|--------------|--|----------|
| ✓ | | | | ✗ |
| ↑ | | | | |
| CORRECT | | WRONG | | |

M4x16mm.

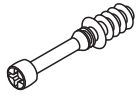
i

| | |
|---------------------------------|------------------------------|
| <p>40mm.</p> <p>☹️</p> <p>☒</p> | <p>EQ</p> <p>😊</p> <p>☑️</p> |
|---------------------------------|------------------------------|

M4x16mm.

HARDWARE

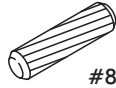
-BODY SET



x 8

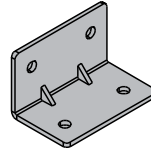


x 8



#8x35

x 20

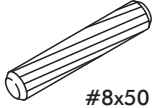


x 12



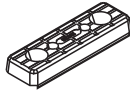
No.1

x 3

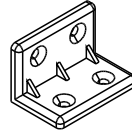


#8x50

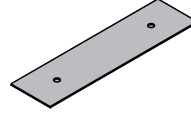
x 4



x 33



x 49



x 2



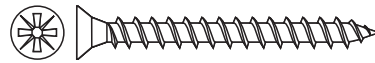
M4x16mm.

x 262



M4x30mm.

x 9



M4x40mm.

x 12



M3.5x13mm.(BLACK)

x 4

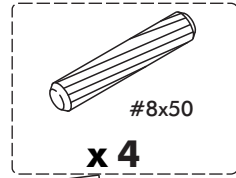


M4x16mm.

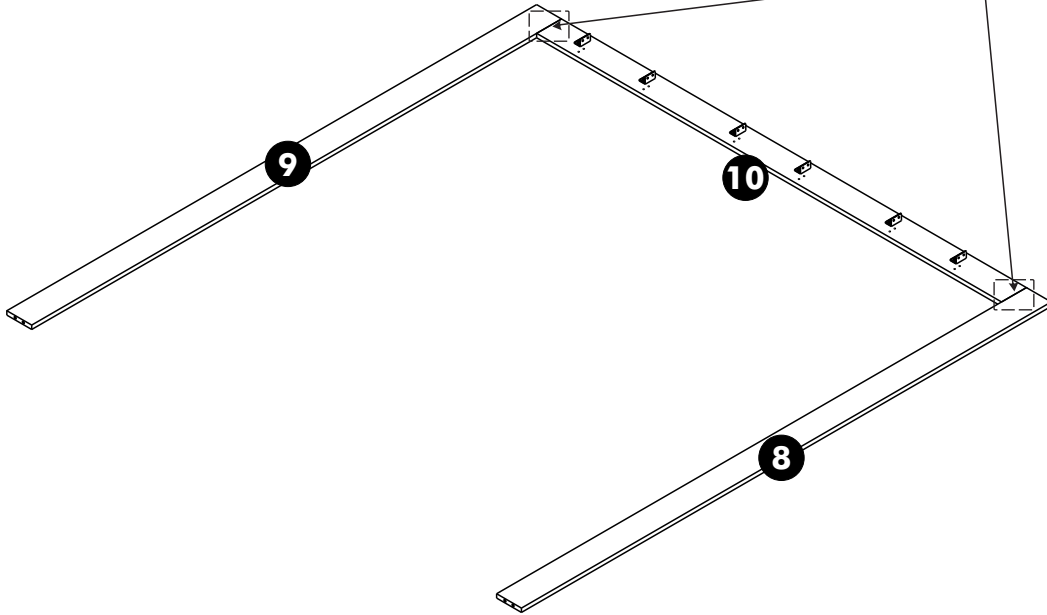
x 51

ASSEMBLY

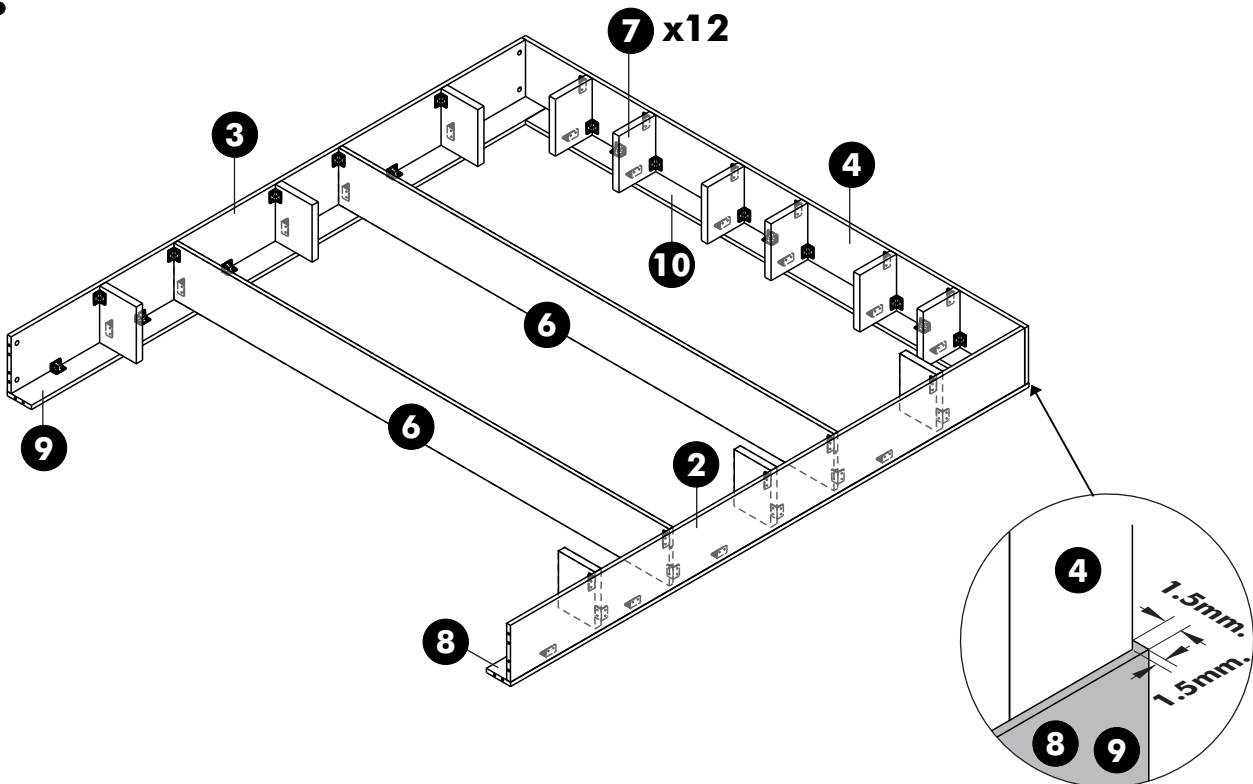
-BODY SET



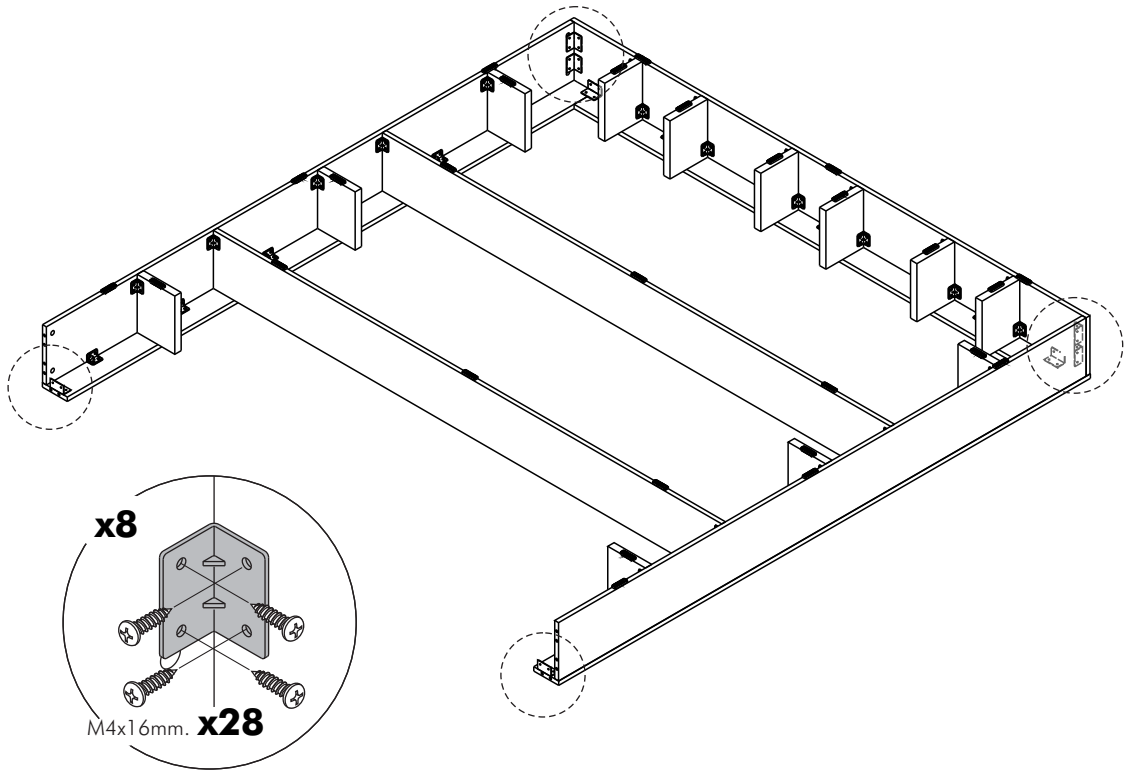
1.



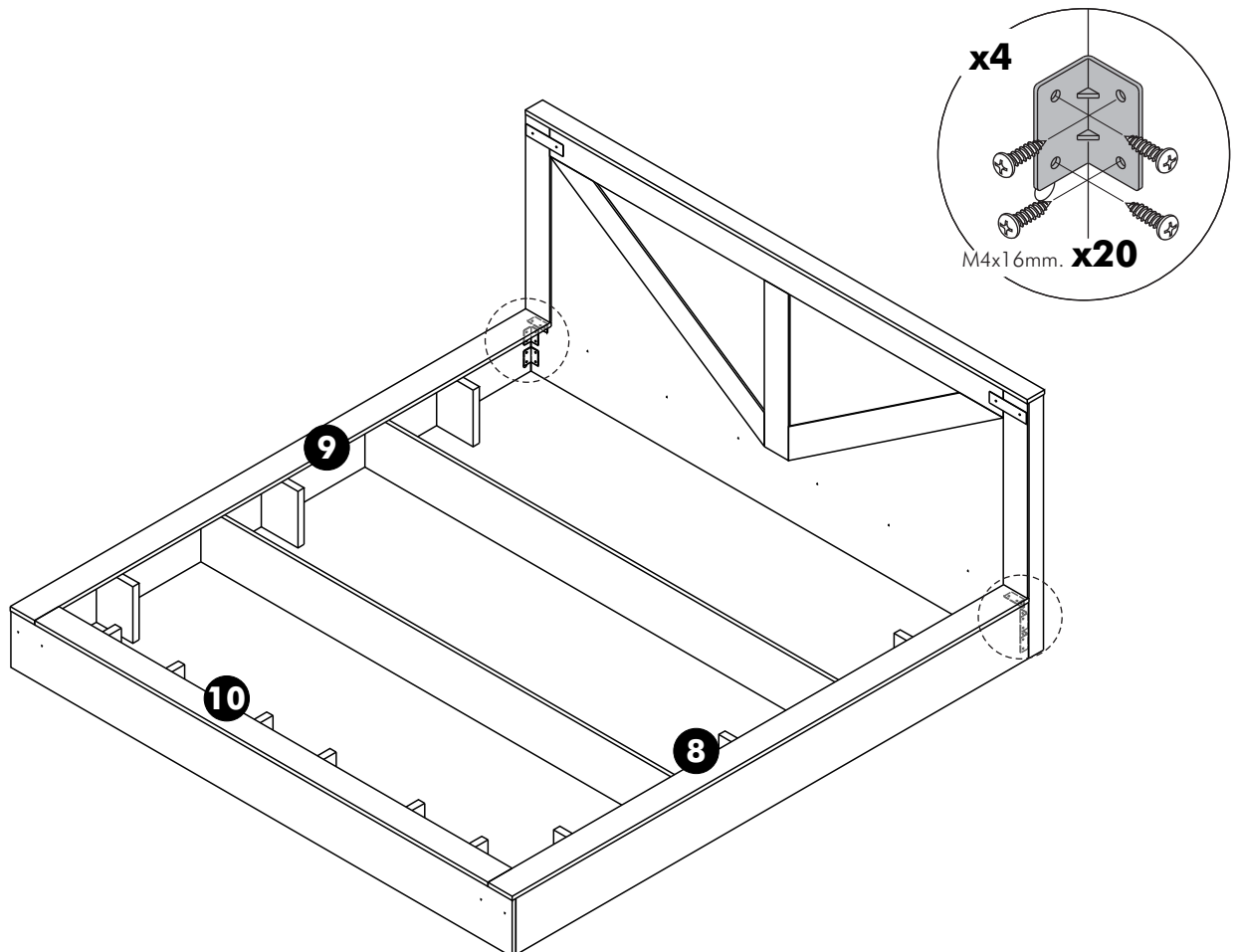
2.



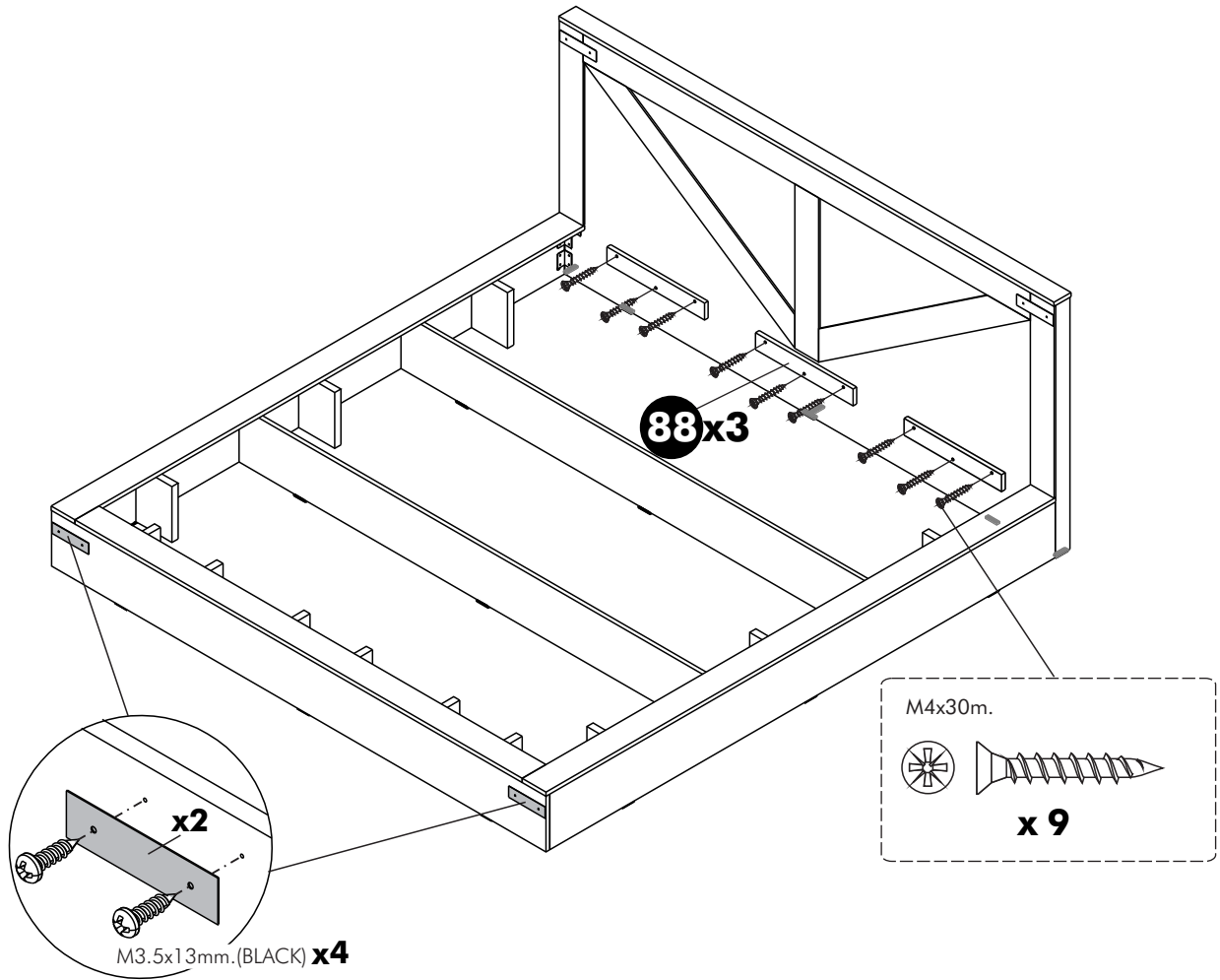
3.



4.



5.



6.

