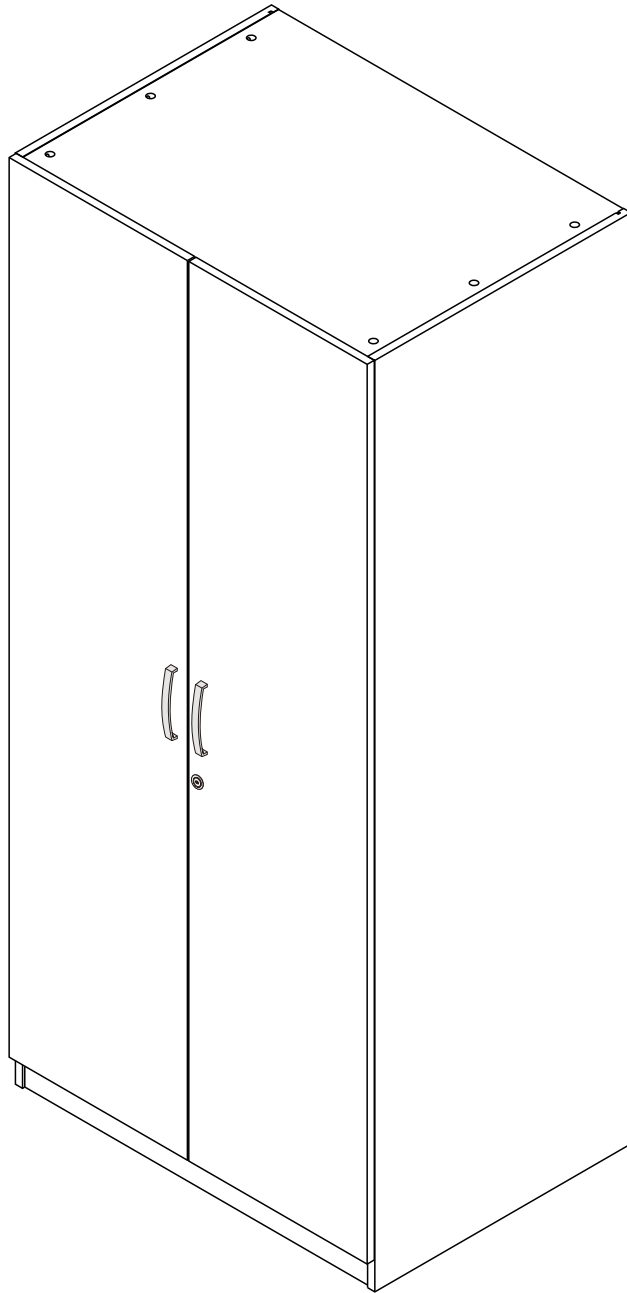


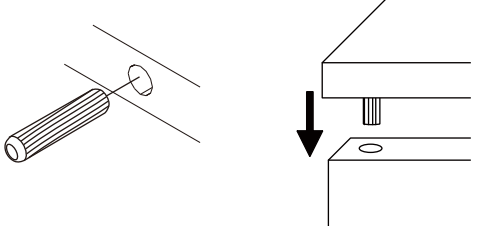
VASH

Wardrobe 2 door

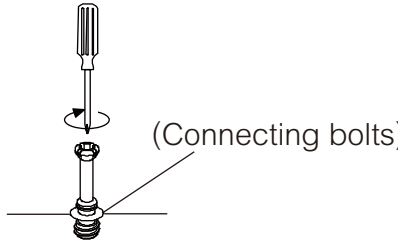


CONNECT SYSTEM

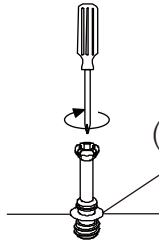
1



3



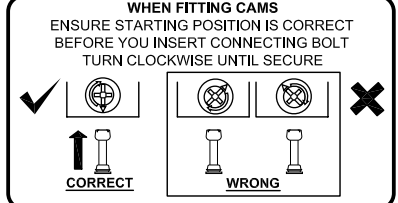
2



(Connecting bolts)


WHEN FITTING CAMS
ENSURE STARTING POSITION IS CORRECT
BEFORE YOU INSERT CONNECTING BOLT
TURN CLOCKWISE UNTIL SECURE

✓

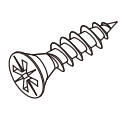


↑
CORRECT

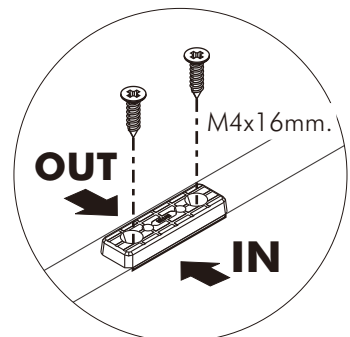
✗



↓
←
→
WRONG

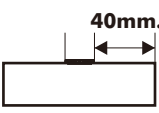


M4x16mm.



i

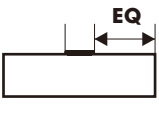
40mm.



☹️

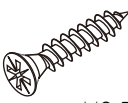
☒

EQ

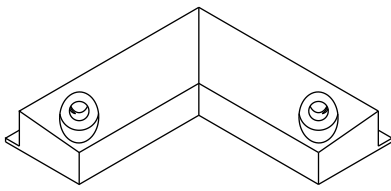


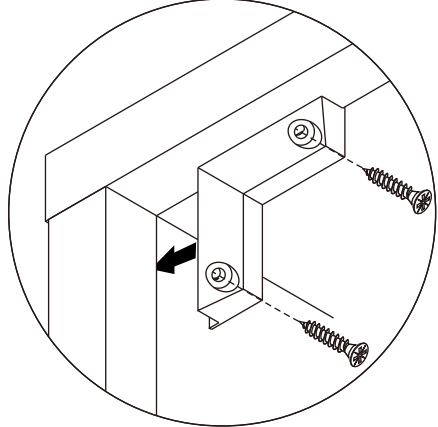
☺️

☑️



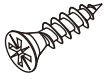
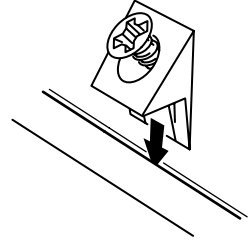
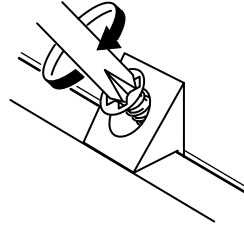
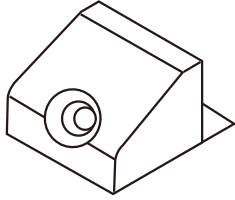
M3.5x20mm.



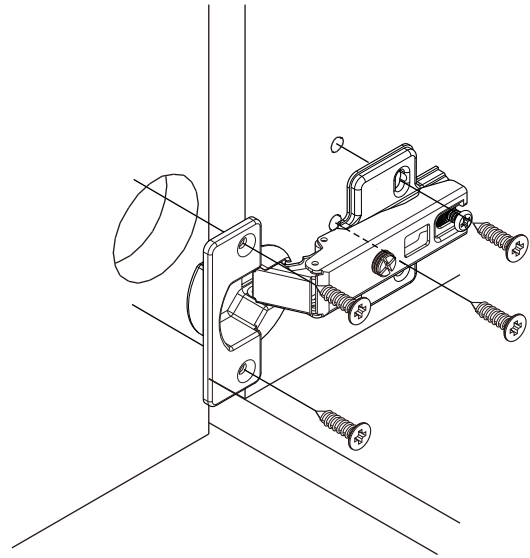
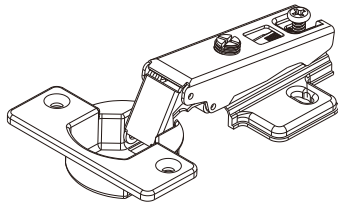




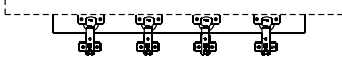
M3.5x20mm.



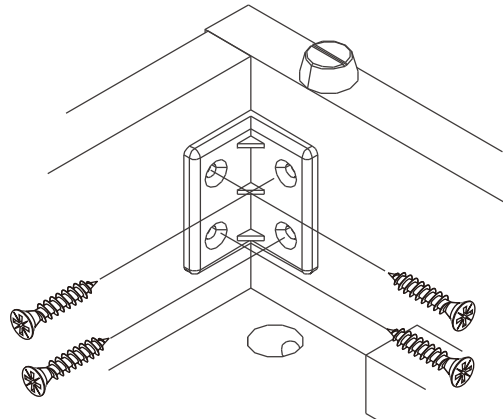
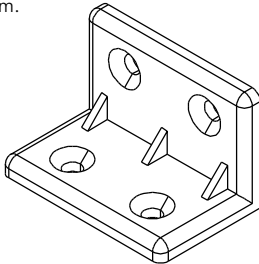
M4x16mm.

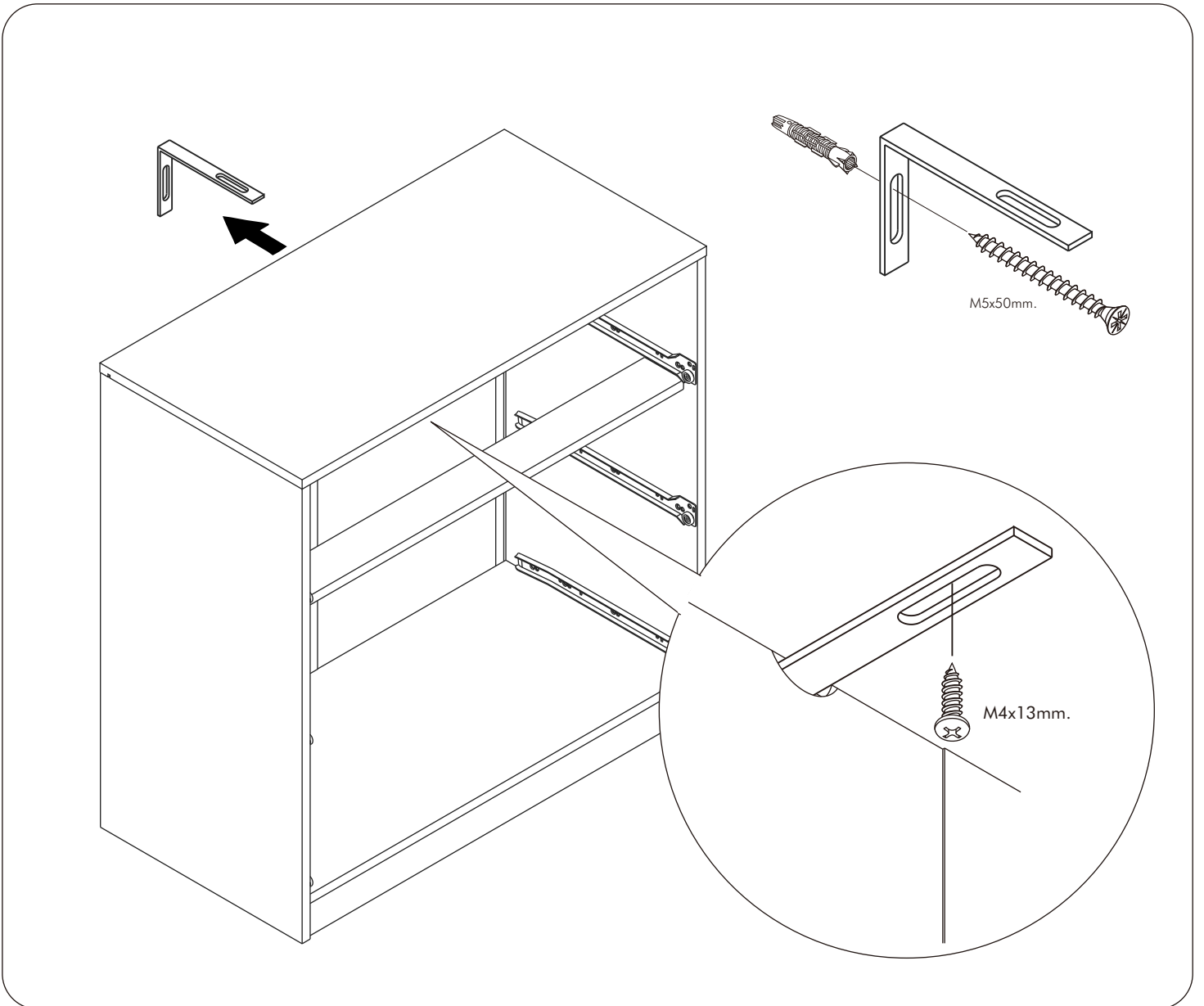
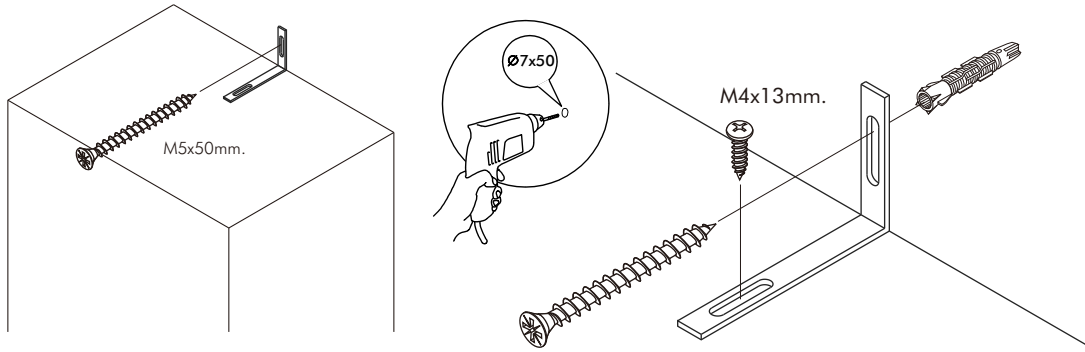
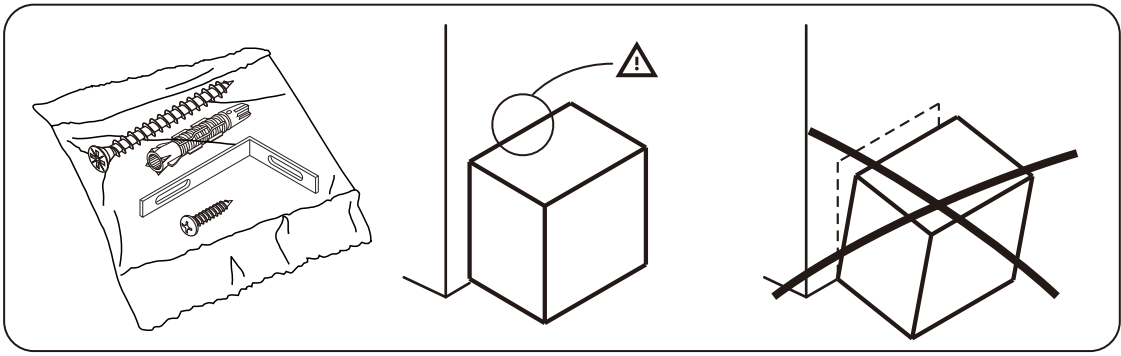


DOOR PANEL



M4x16mm.





The Standard for identifying which mounted safety fall protection fitting to use **Note : That children's products must be installed with all anti-falling fittings.**

■ Mounted fall protection fittings



■ Category : Cabinet with open doors



■ Category : Chest of drawers

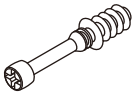


■ Category : Sliding door cabinet / Open cabinet



HARDWARE

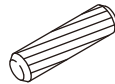
-BODY SET



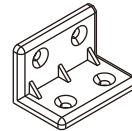
x 12



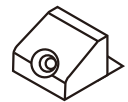
x 12



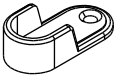
x 14



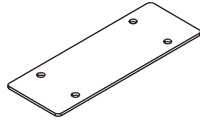
x 12



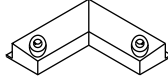
x 10



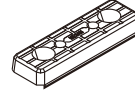
x 2



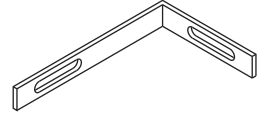
x 2



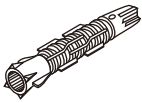
x 2



x 8



x 2

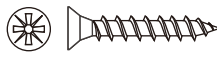


x 2



M5x50mm.

x 2



M3.5x20mm.

x 14



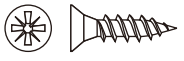
M4x16mm.

x 64



M3.5x13mm.

x 4



M4x13mm.

x 8



M4x13mm.

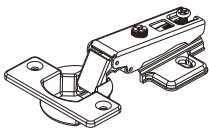
x 13



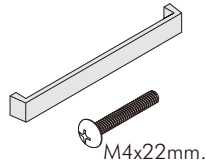
M4x45mm.

x 3

-DOOR SET



x 6

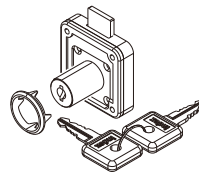


M4x22mm.

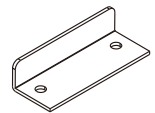
x 2/4



x 4



x 1

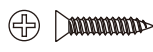


x 2



M4x16mm.

x 24



4x1/2"

x 6



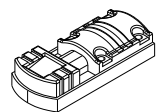
M3.5x25mm.

x 4



M3.5x25mm.

x 8

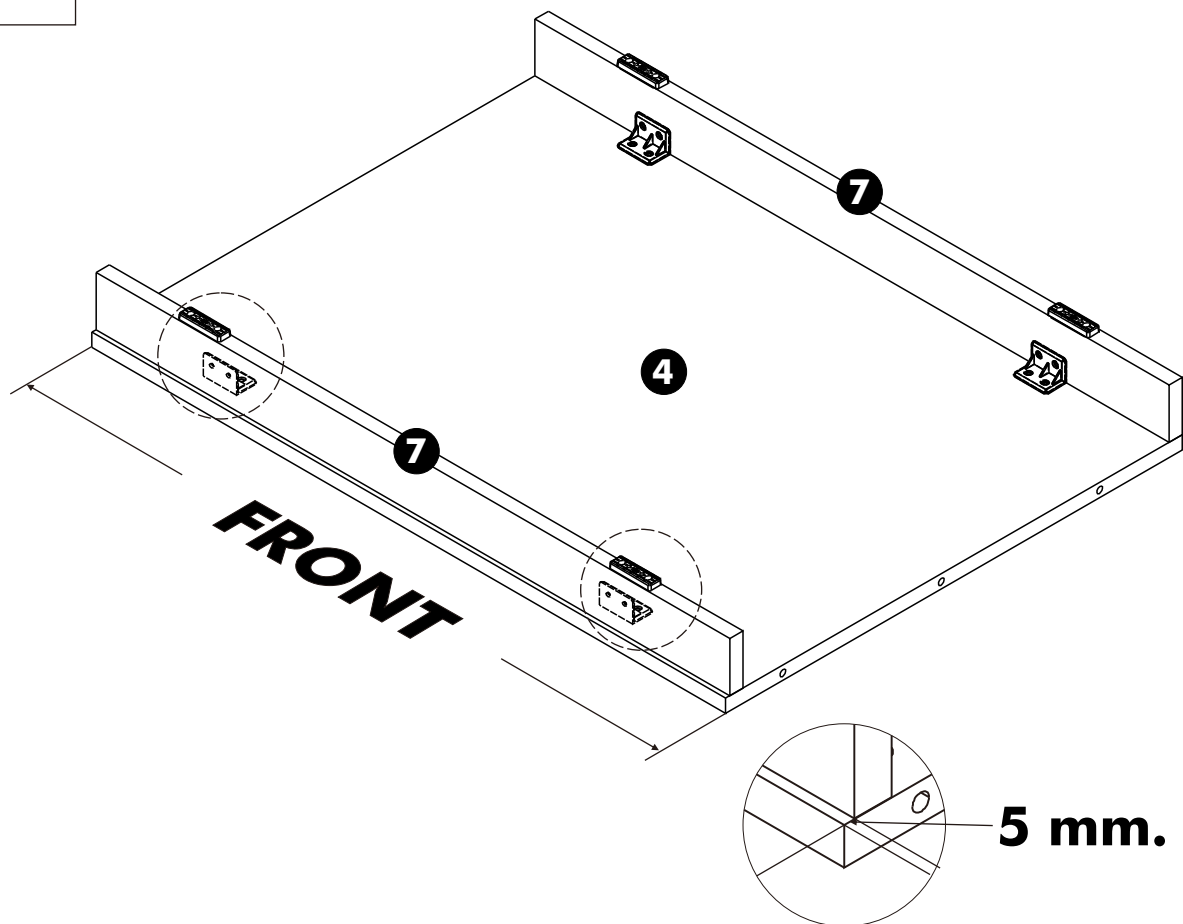


x 2

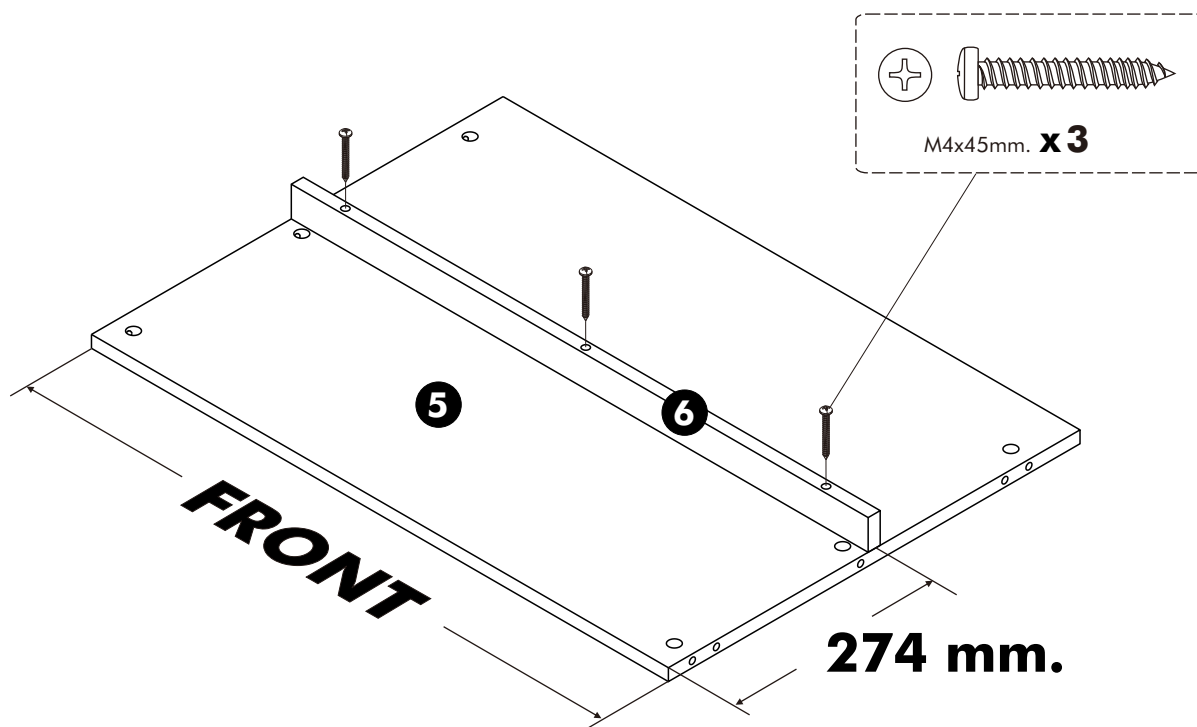
ASSEMBLY

-BODY SET

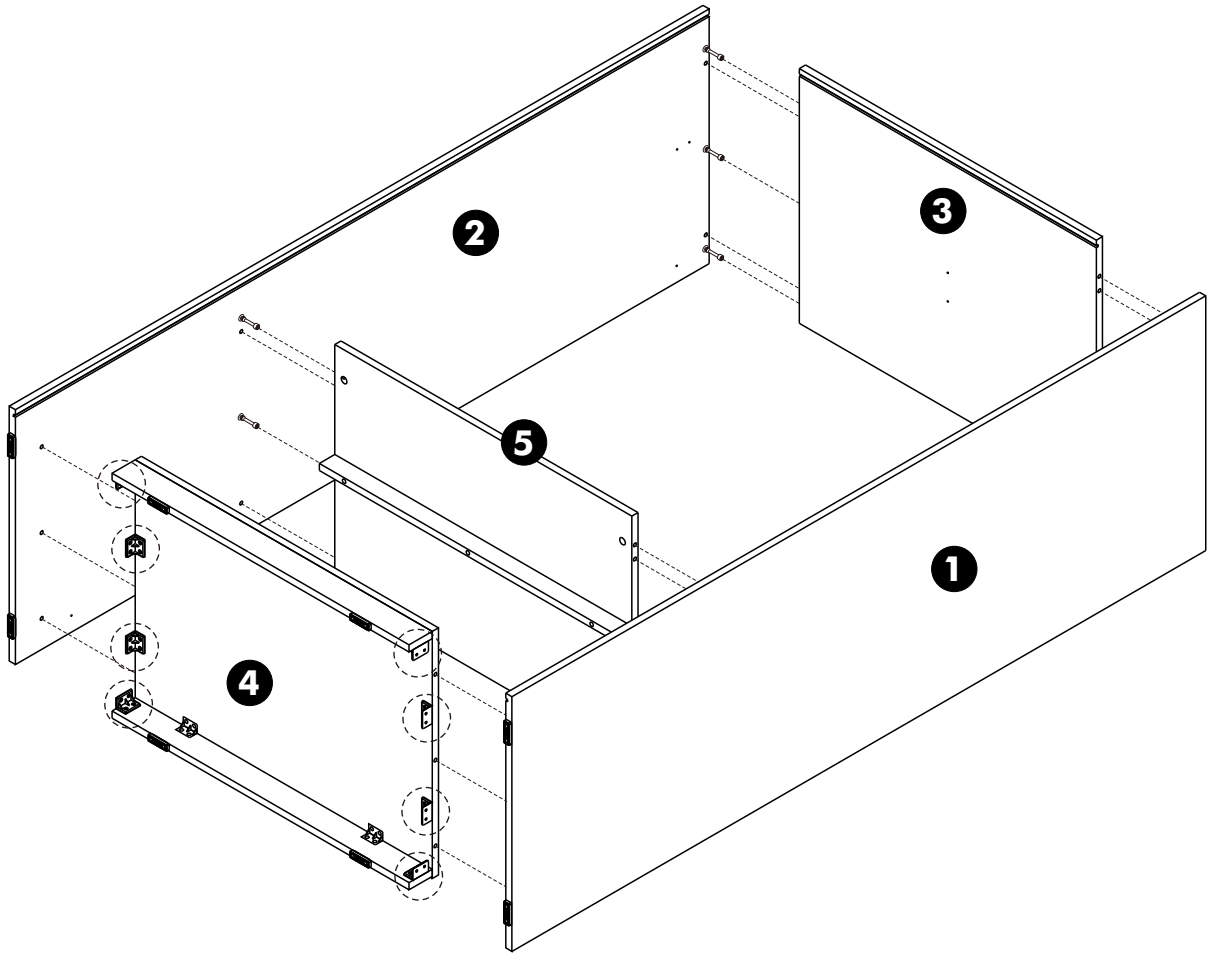
1.



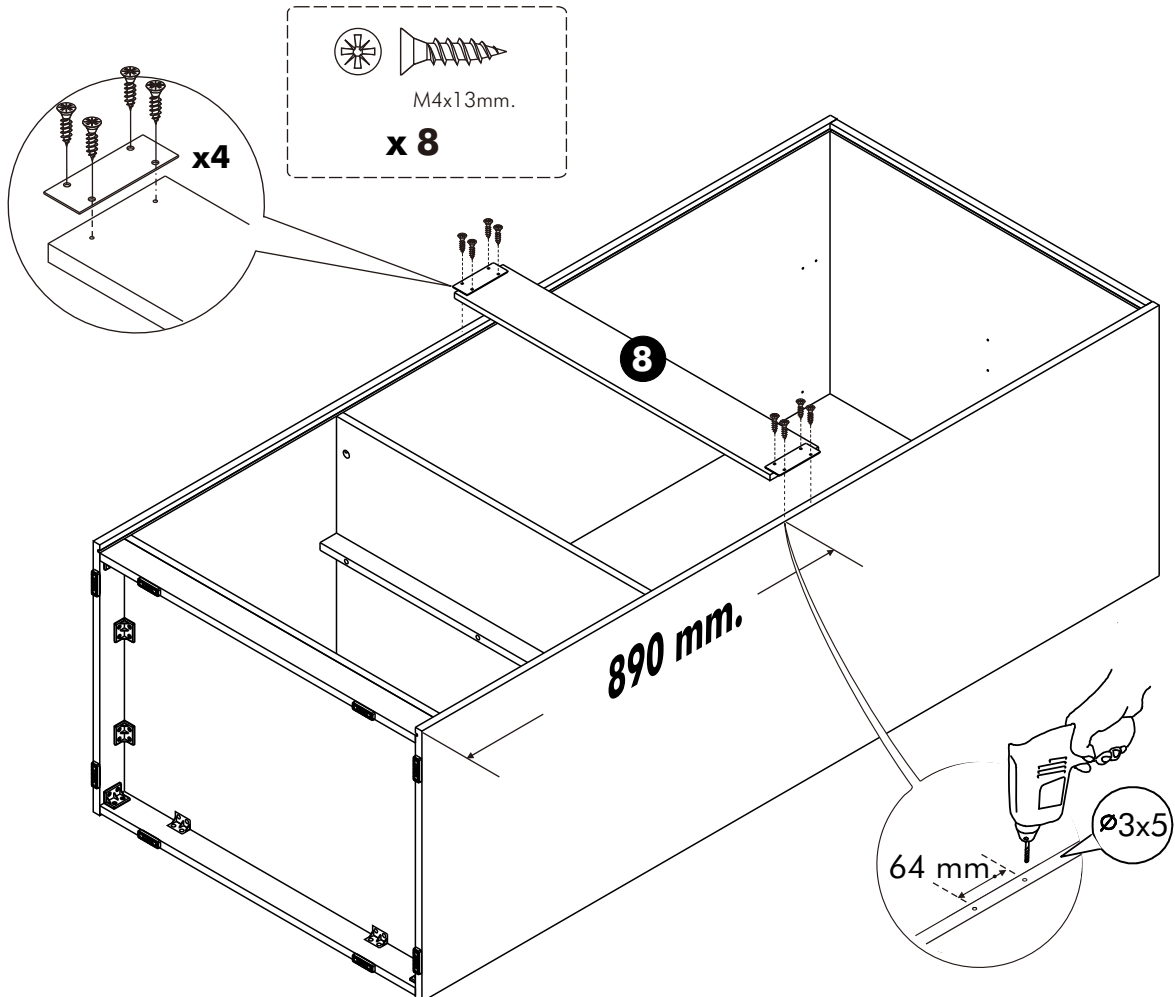
2.



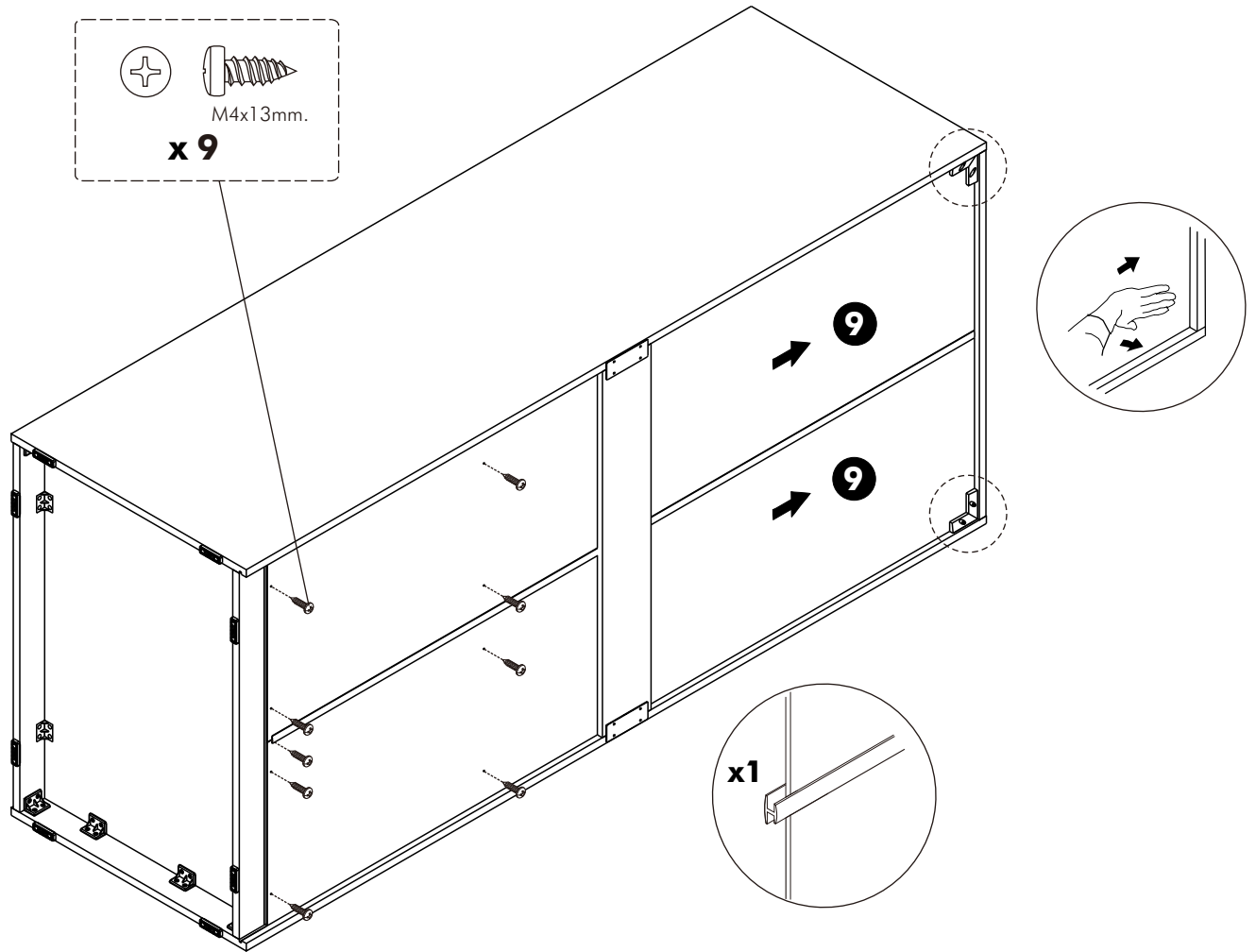
3.



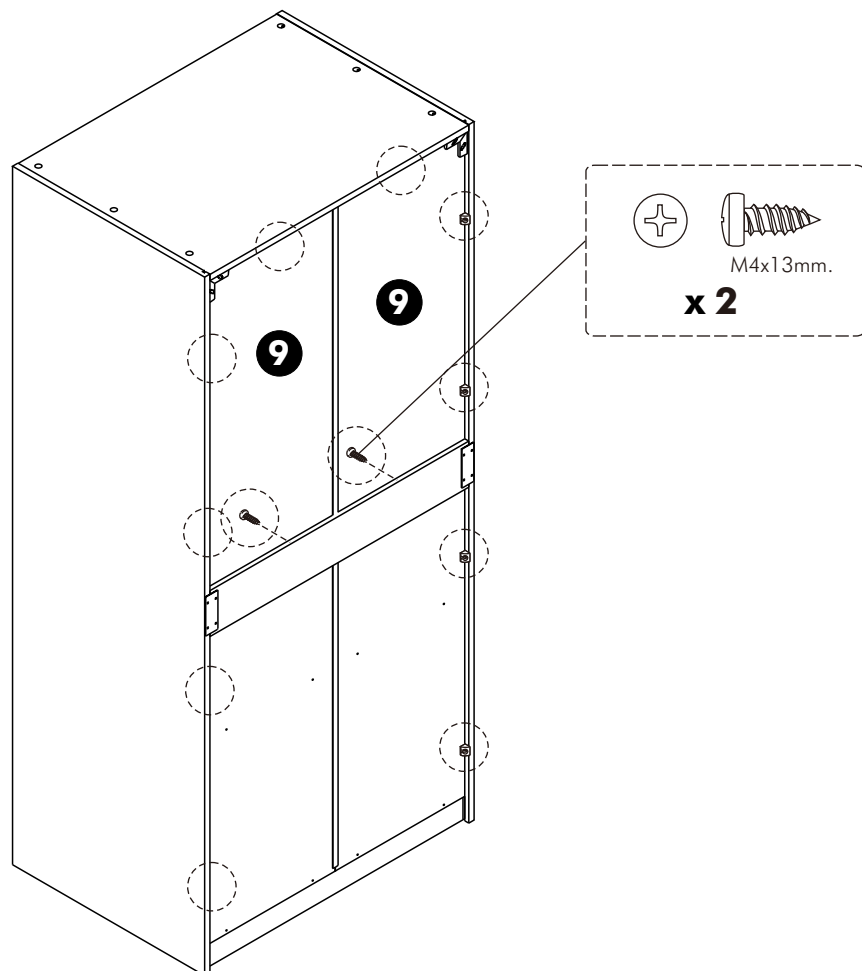
4.



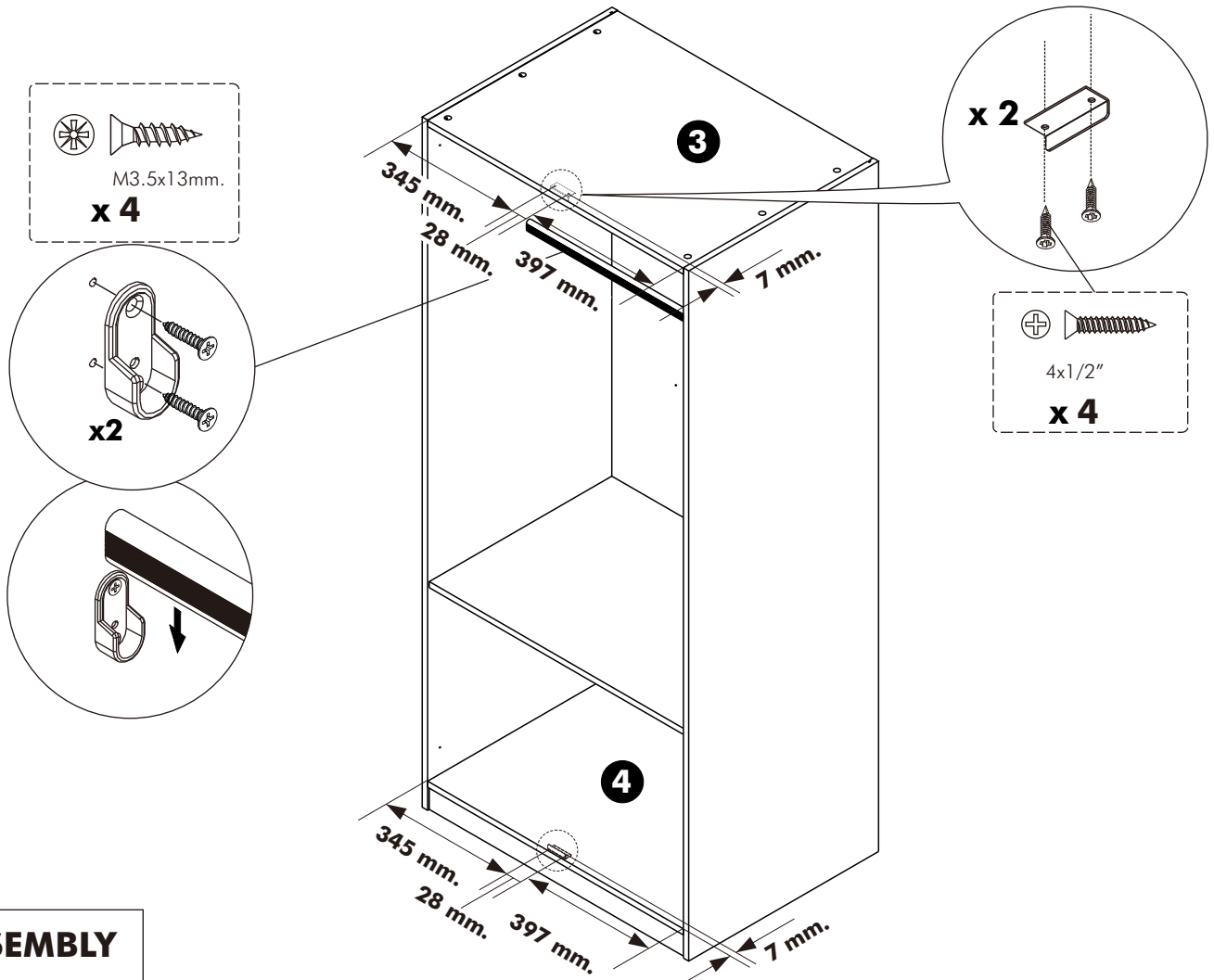
5.



6.



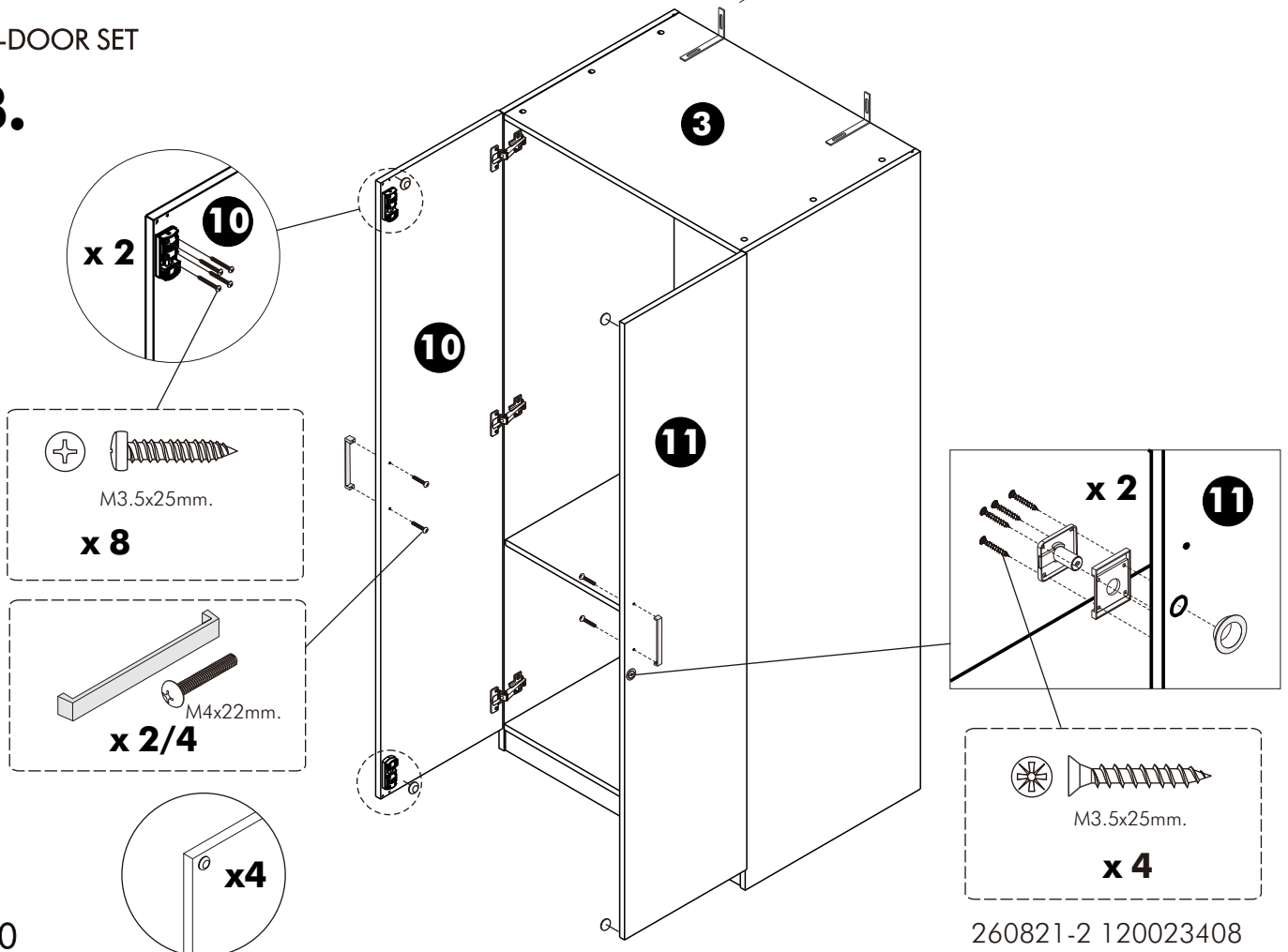
7.



ASSEMBLY

-DOOR SET

8.



10

260821-2 120023408