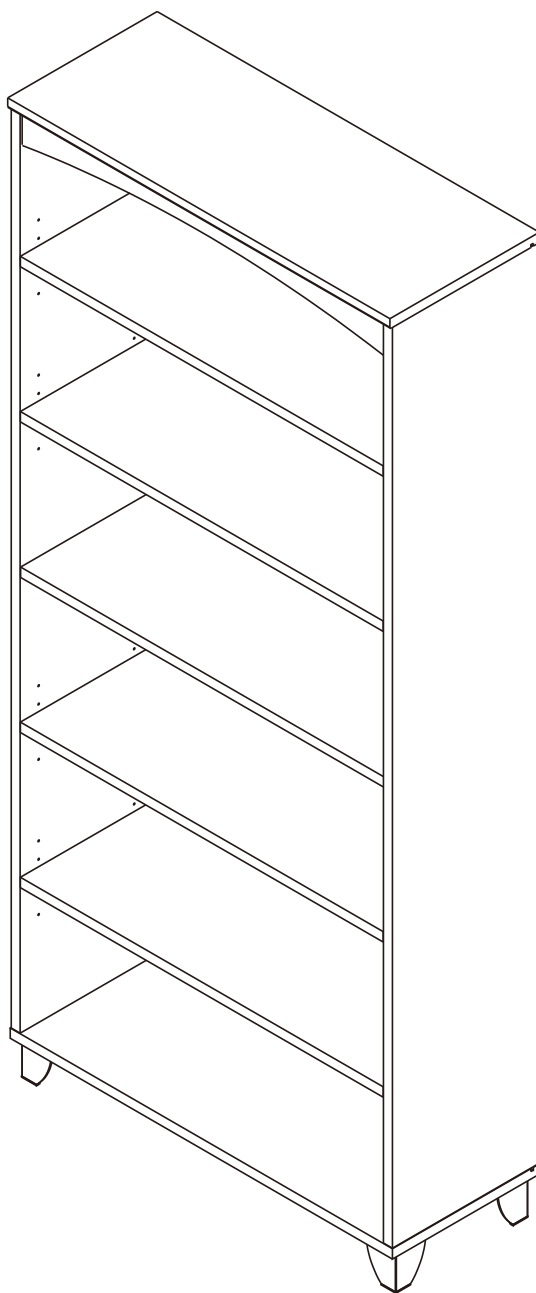


# ONE WAY-H-P

Show cabinet



# CONNECT SYSTEM

**1**

**3**

**2**

(Connecting bolts)

**WHEN FITTING CAMS**  
ENSURE STARTING POSITION IS CORRECT  
BEFORE YOU INSERT CONNECTING BOLT  
TURN CLOCKWISE UNTIL SECURE

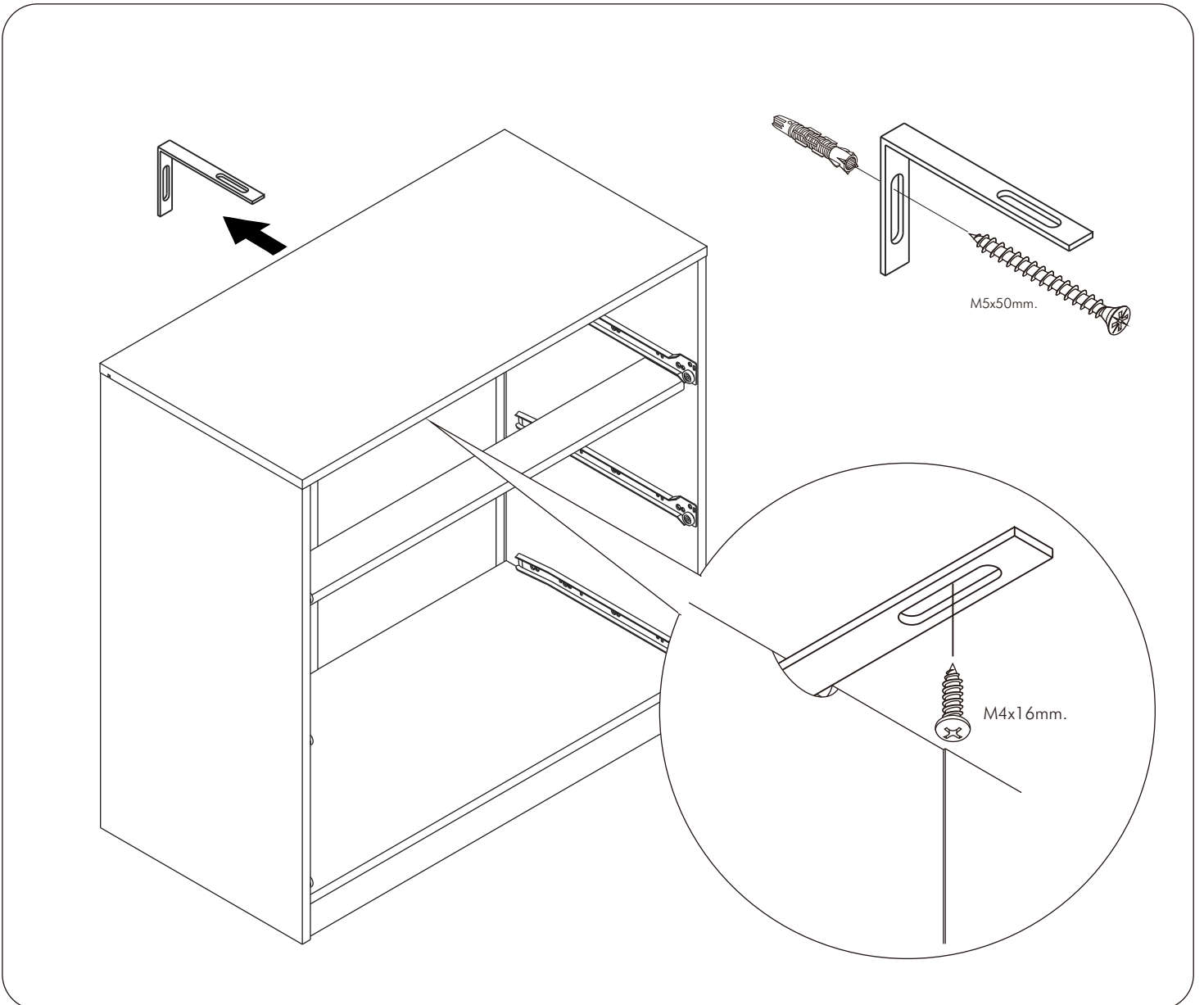
✓

↑  
**CORRECT**

✗

✗  
**WRONG**

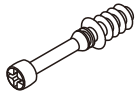
M3.5x20mm.





# HARDWARE

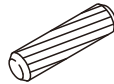
## -BODY SET



**x 8**

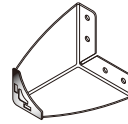


**x 8**



(8x35)

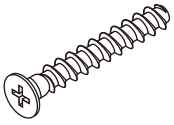
**x 12**



**x 4**



**x 16**

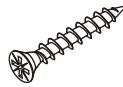


(M5.5x38)

**x 4**



**x 12**



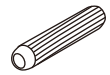
M3.5x20mm.

**x 12**



(7x5/8")

**x 20**



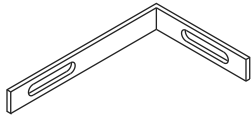
(6x35)

**x 6**

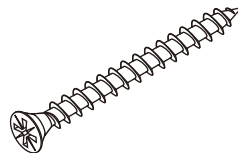


M4x16mm.

**x 1**

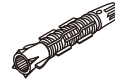


**x 1**



M5x50mm.

**x 1**

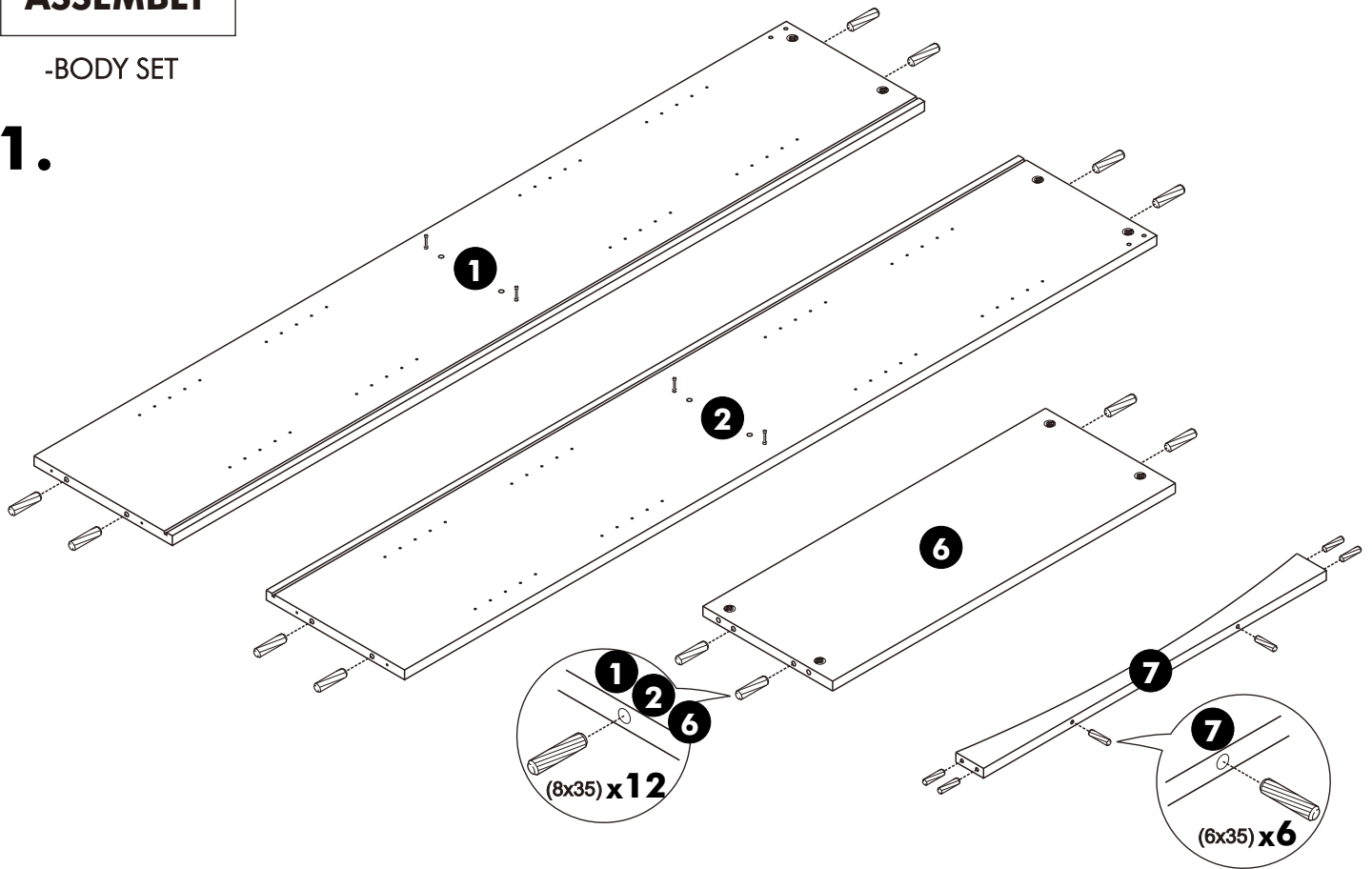


**x 1**

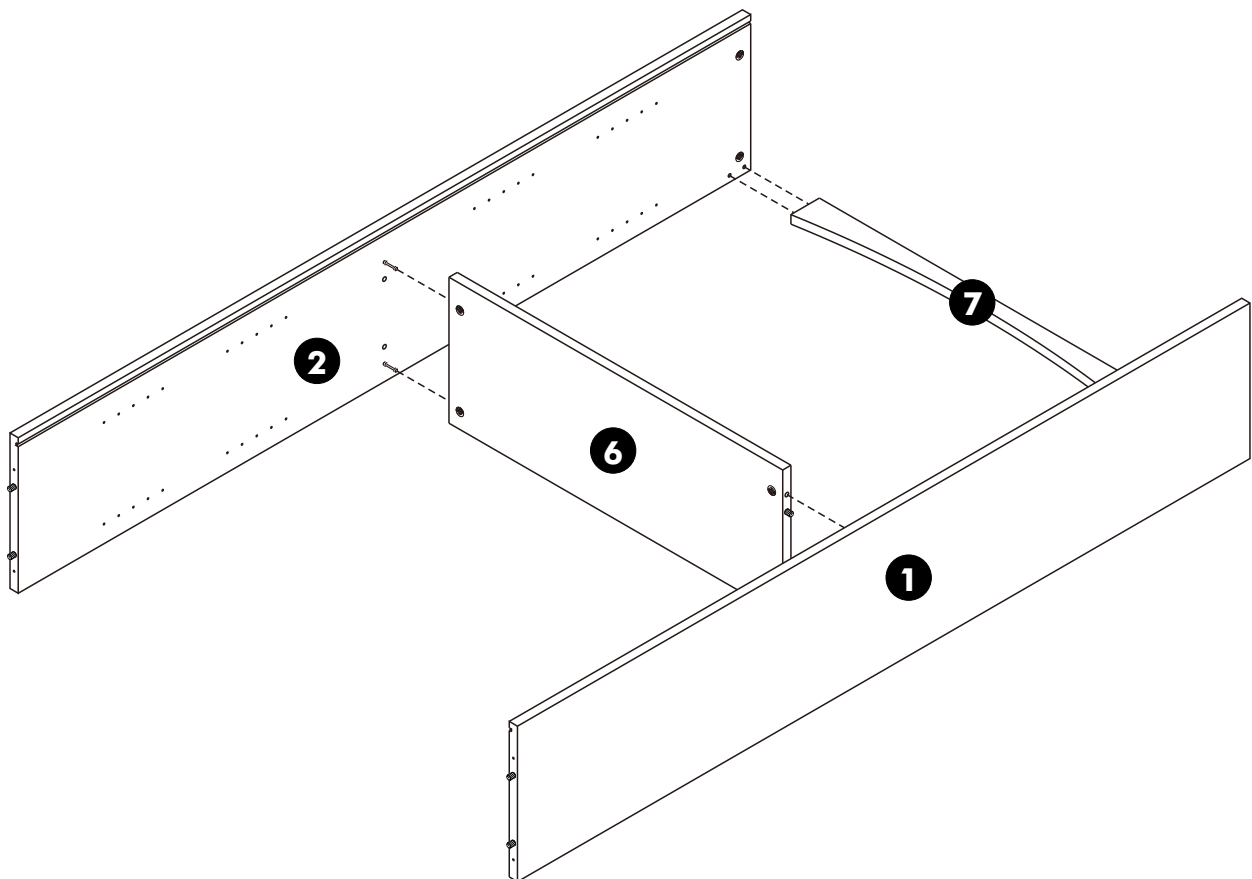
# ASSEMBLY

-BODY SET

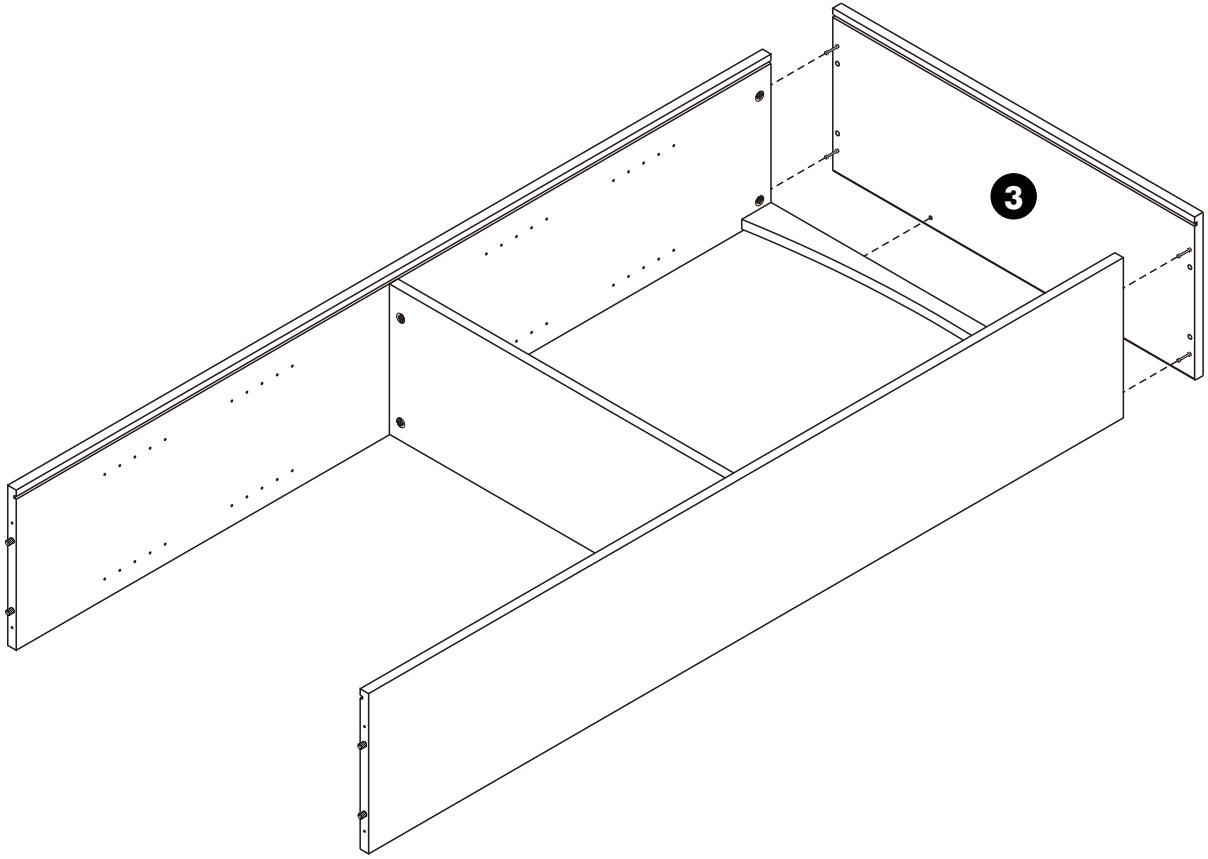
## 1.



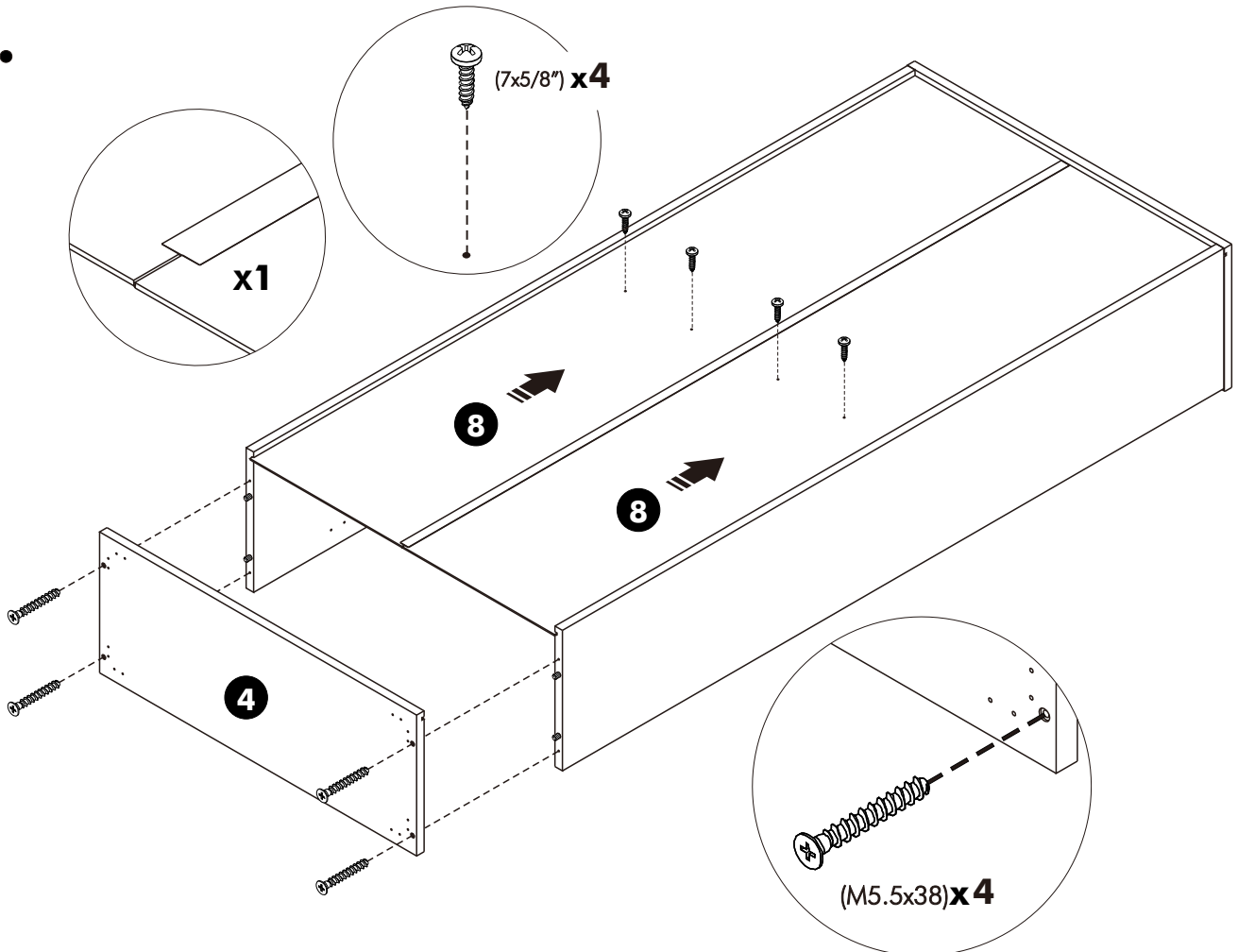
## 2.



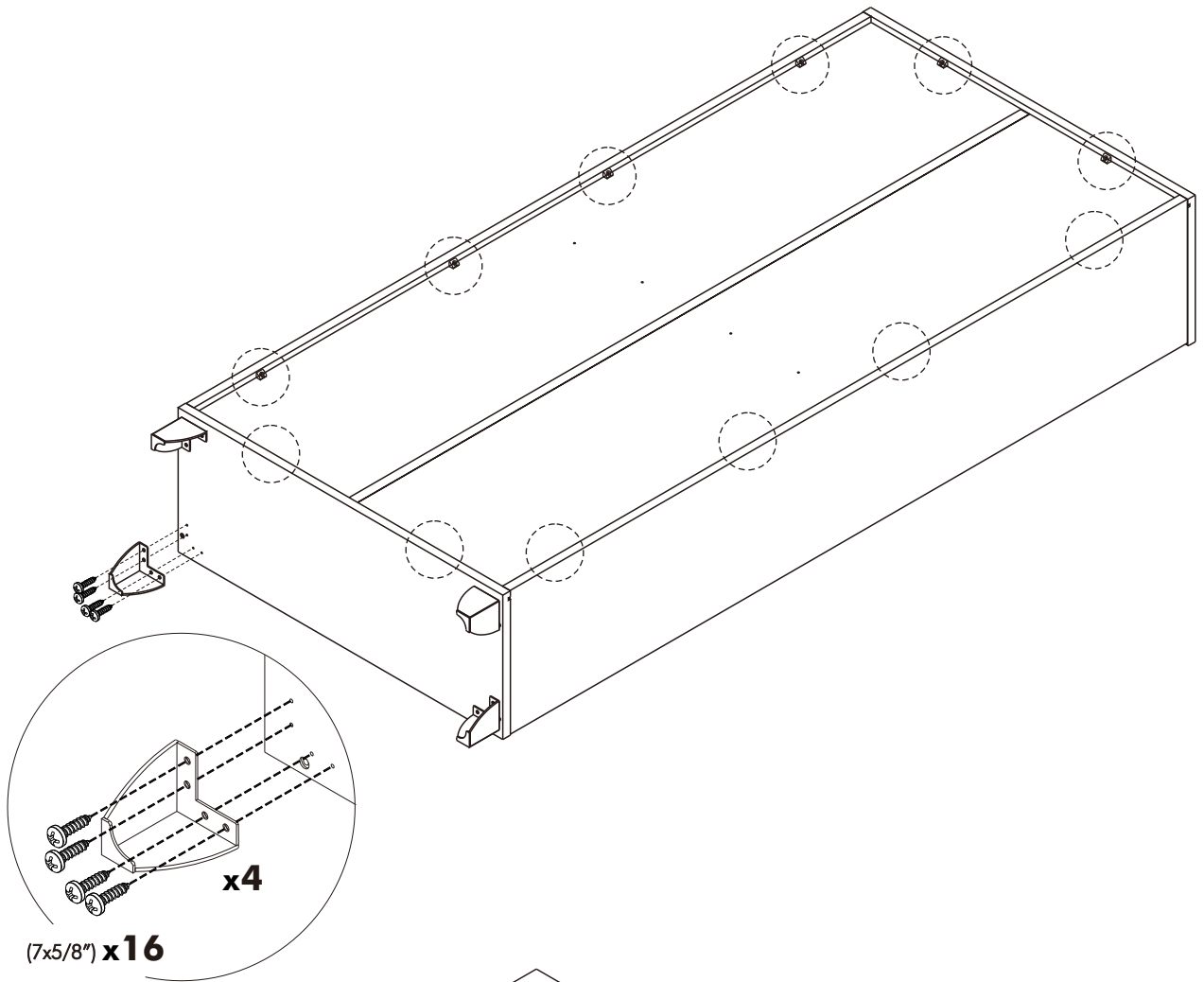
**3.**



**4.**



**5.**



**6.**

