

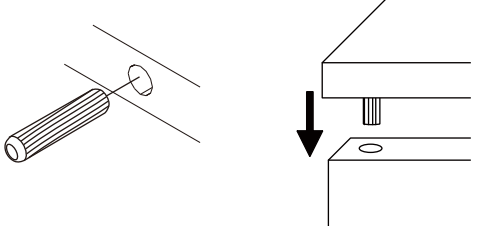
ONE WAY-A-P

Low cabinet

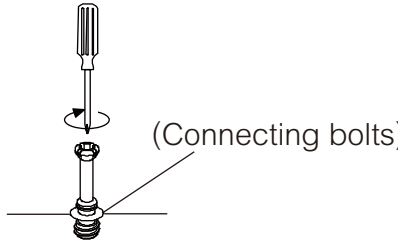


CONNECT SYSTEM

1

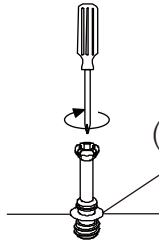


2

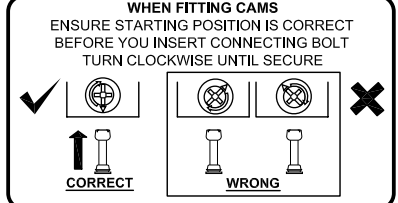


(Connecting bolts)

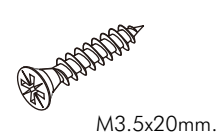
3



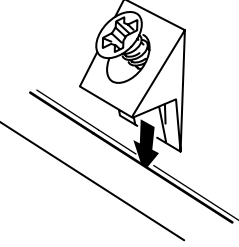
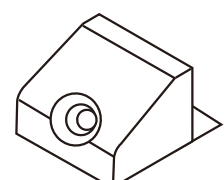
WHEN FITTING CAMS
ENSURE STARTING POSITION IS CORRECT
BEFORE YOU INSERT CONNECTING BOLT
TURN CLOCKWISE UNTIL SECURE

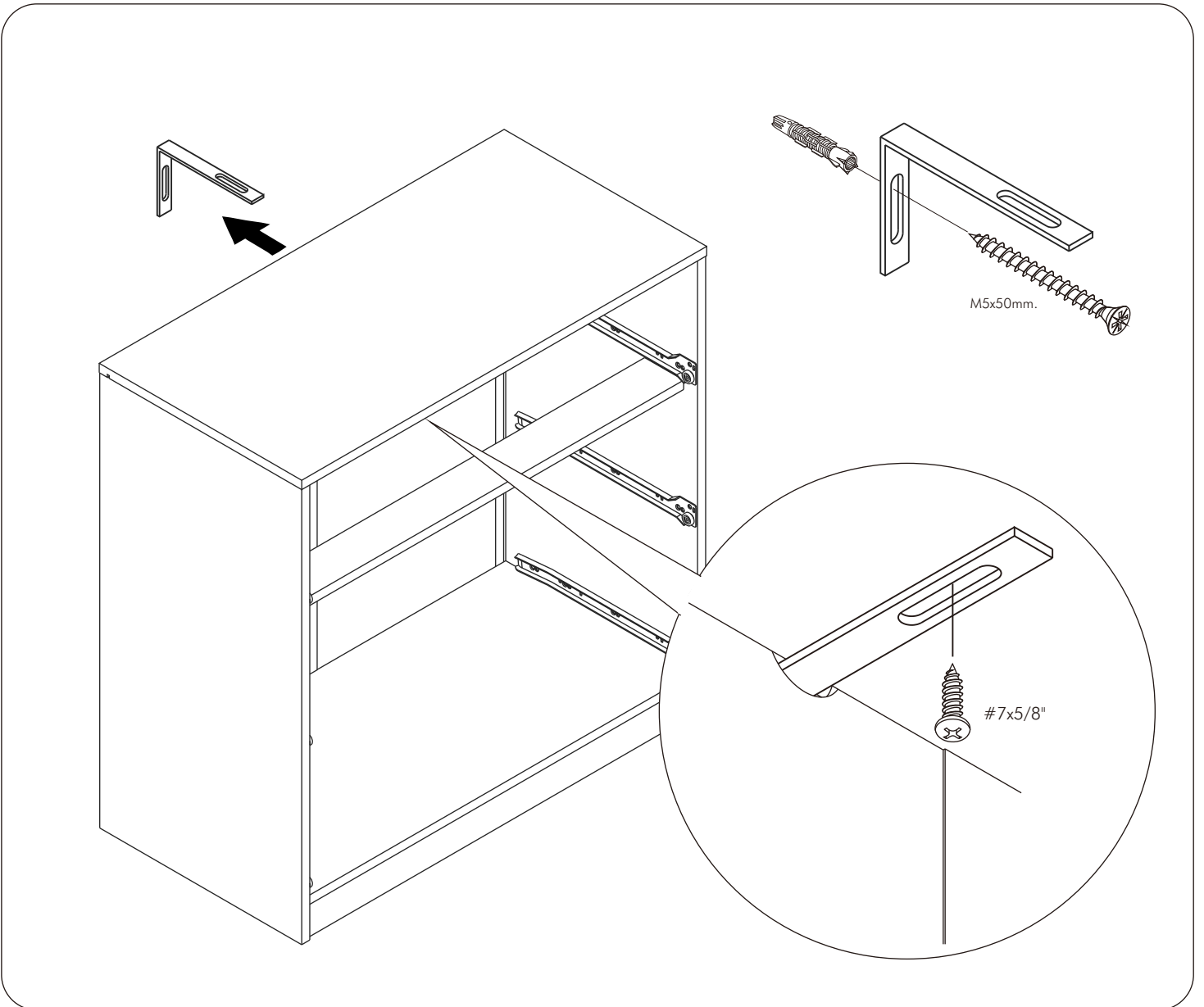
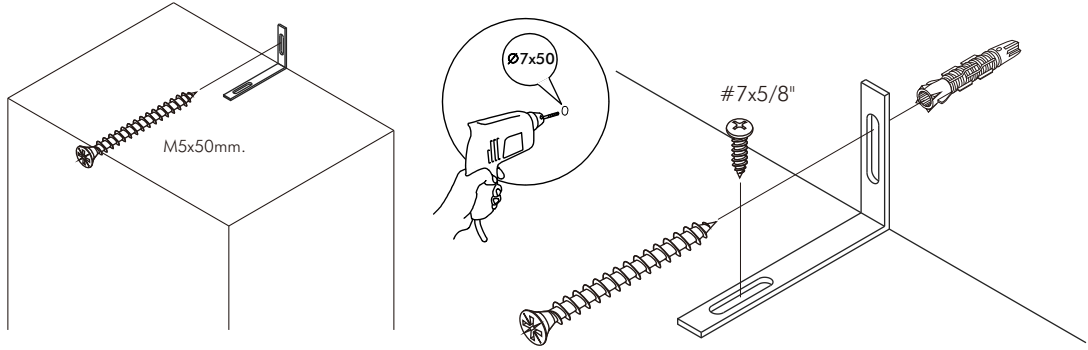
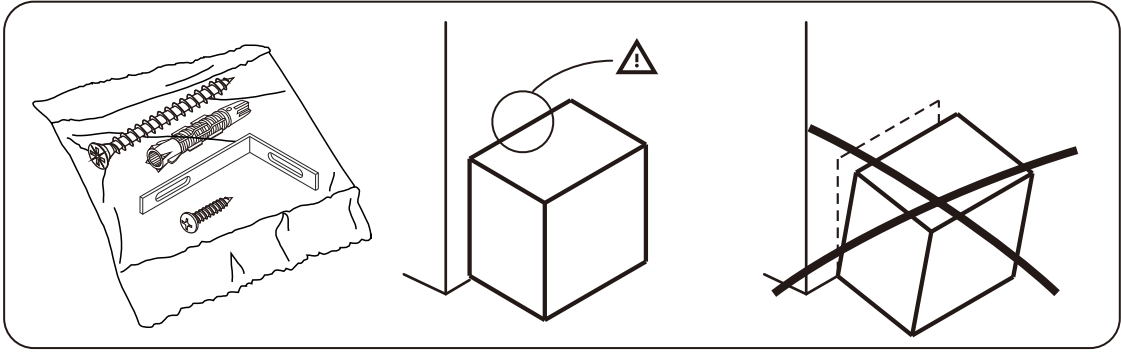


CORRECT **WRONG**



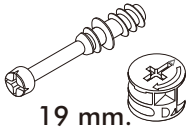
M3.5x20mm.





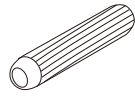
HARDWARE

-BODY SET



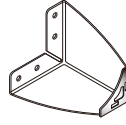
19 mm.

X 12/12



(8x35)

X 20

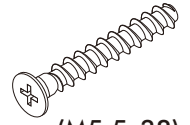


X 4



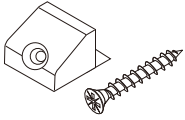
(7x5/8")

X 21



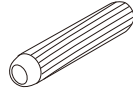
(M5.5x38)

X 6



(M3.5x20)

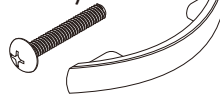
X 8/8



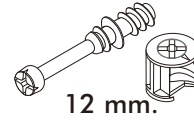
(6x35)

X 52

(M4x25)

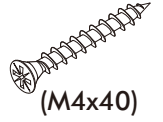


X 16/8



12 mm.

X 10/10



(M4x40)

X 10



(8x3/8")

X 10

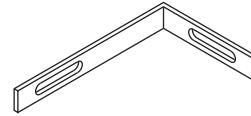


X 10

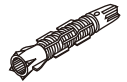


M5x50mm.

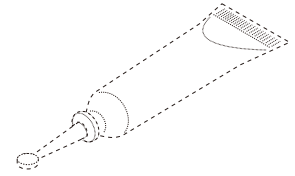
X 1



X 1



X 1

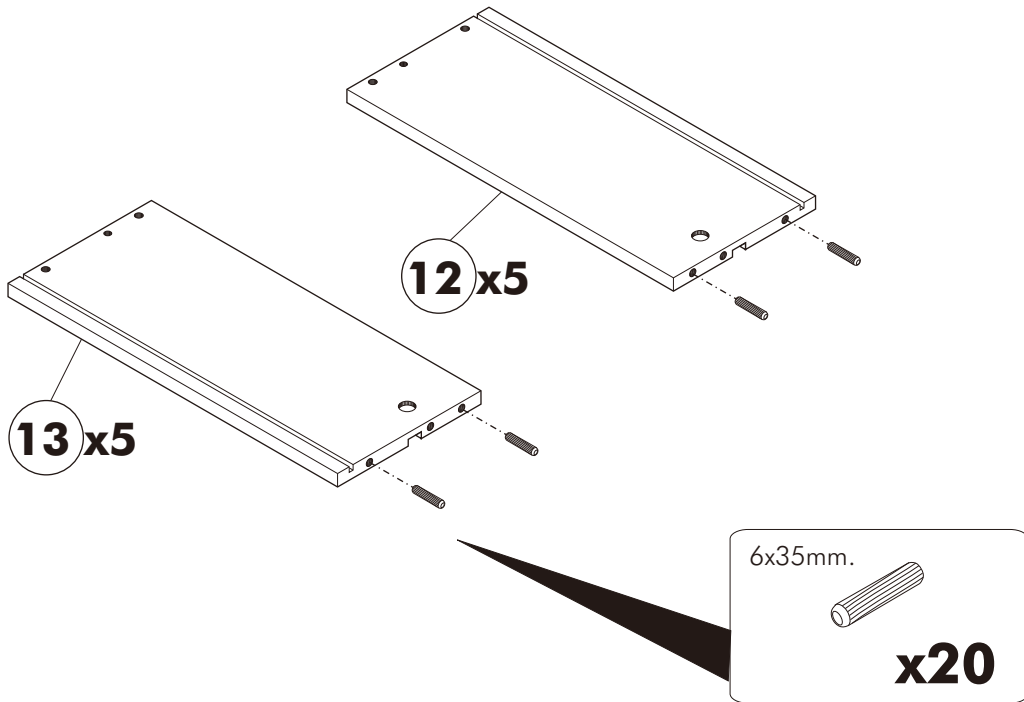


(For WOOD DOWEL)

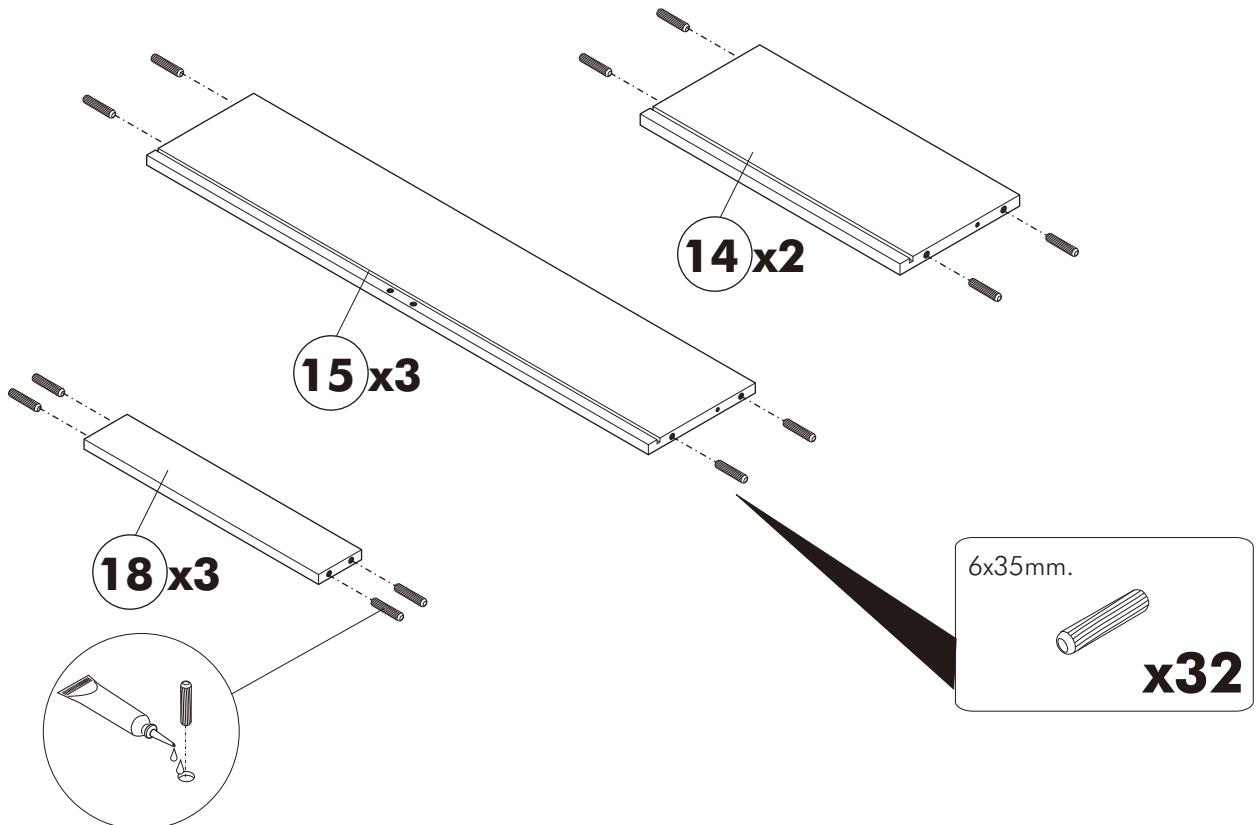
ASSEMBLY

-BODY SET

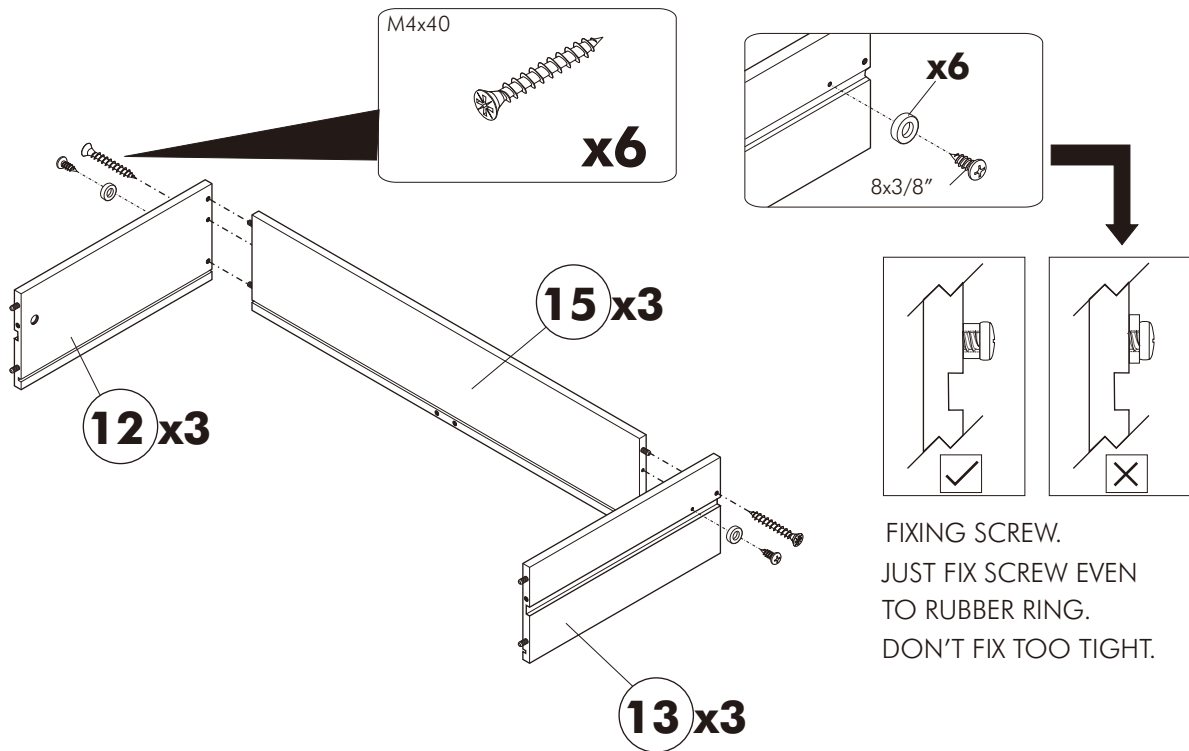
1.



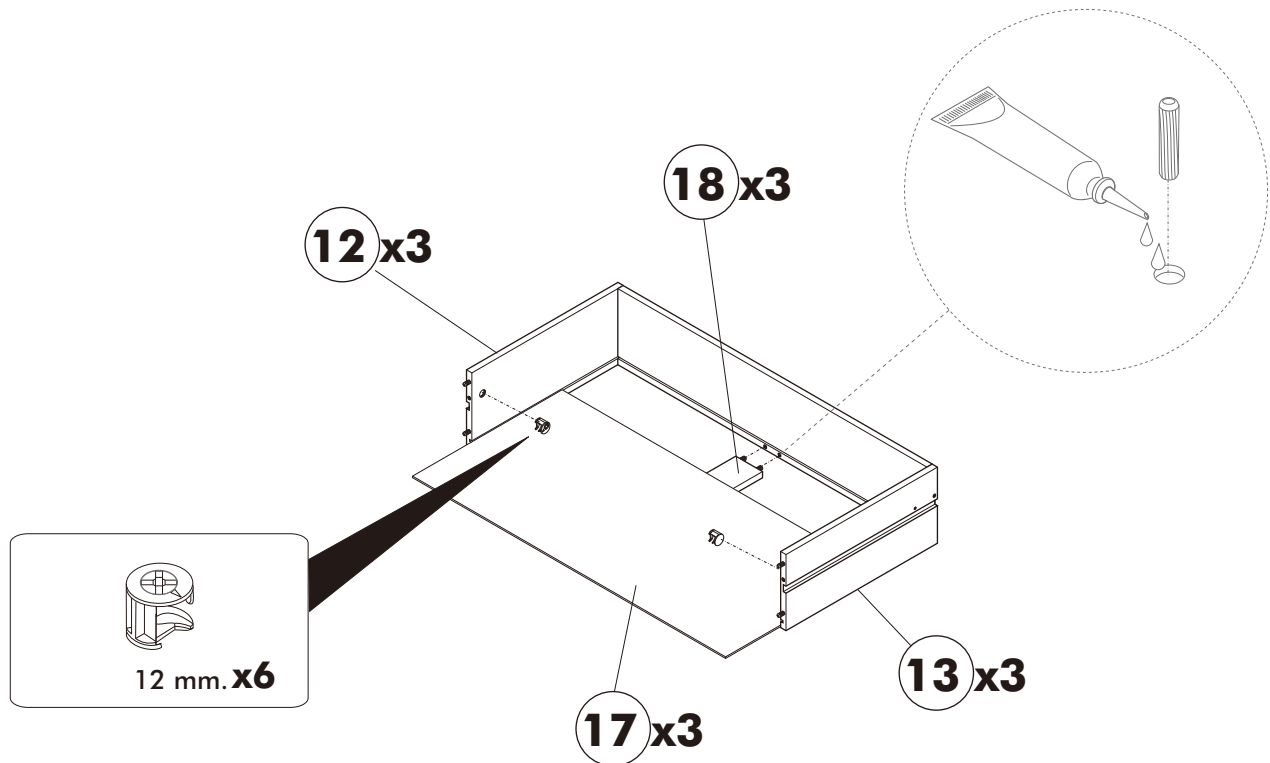
2.



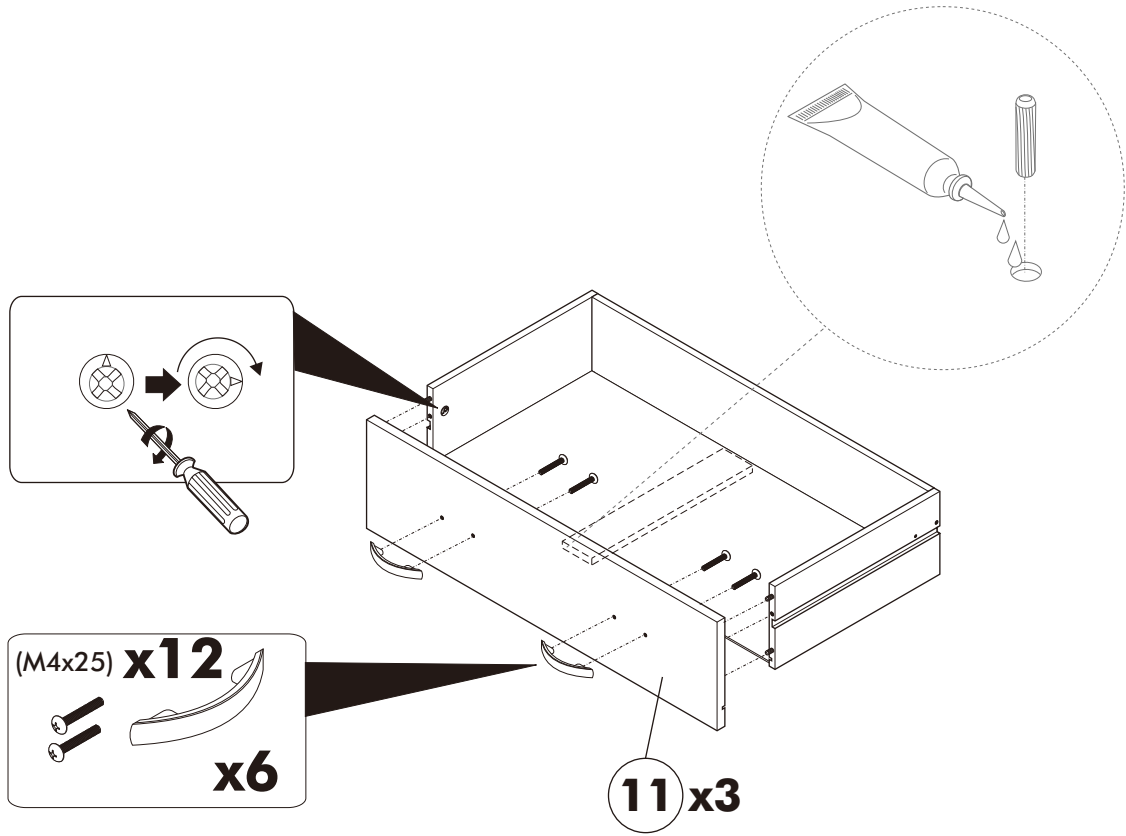
3.



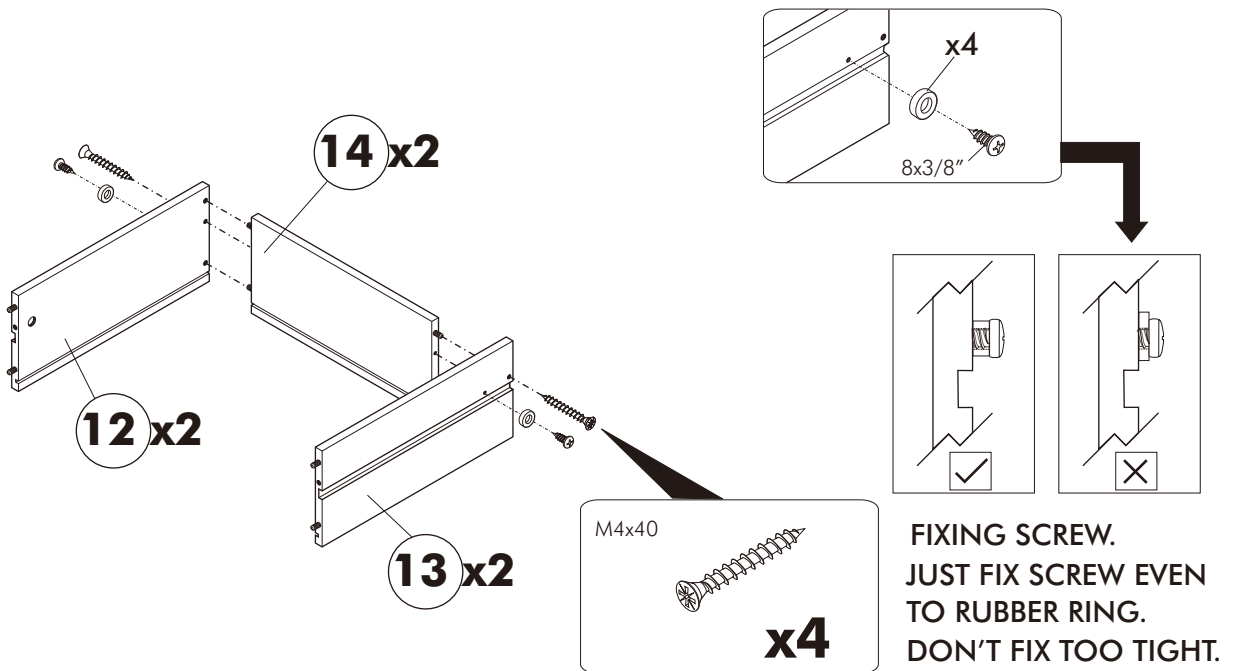
4.



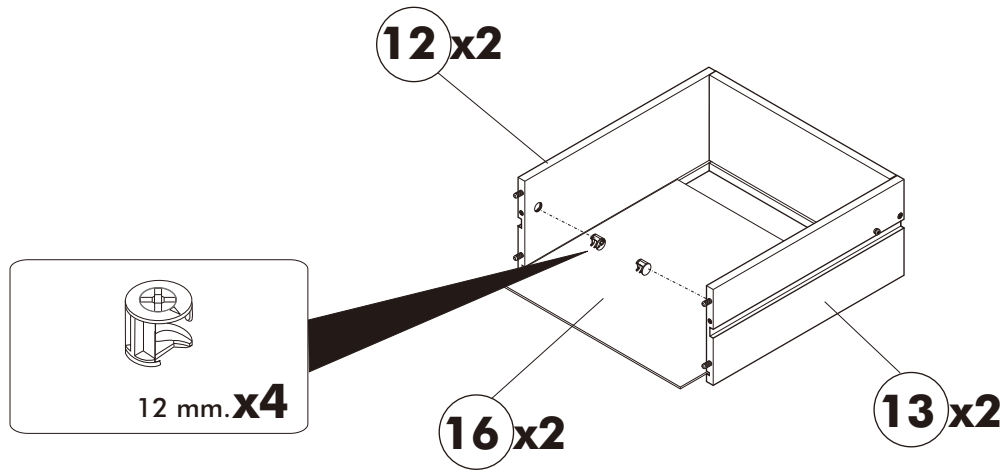
5.



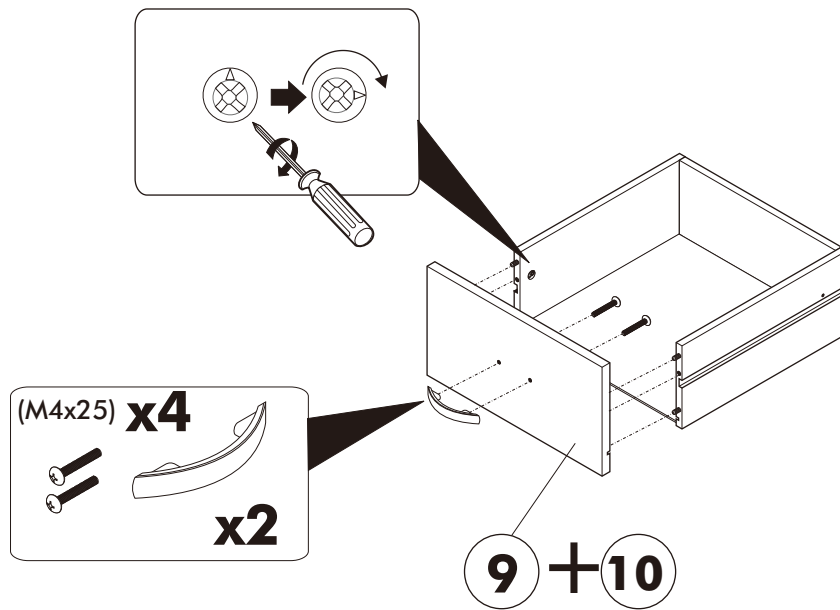
6.



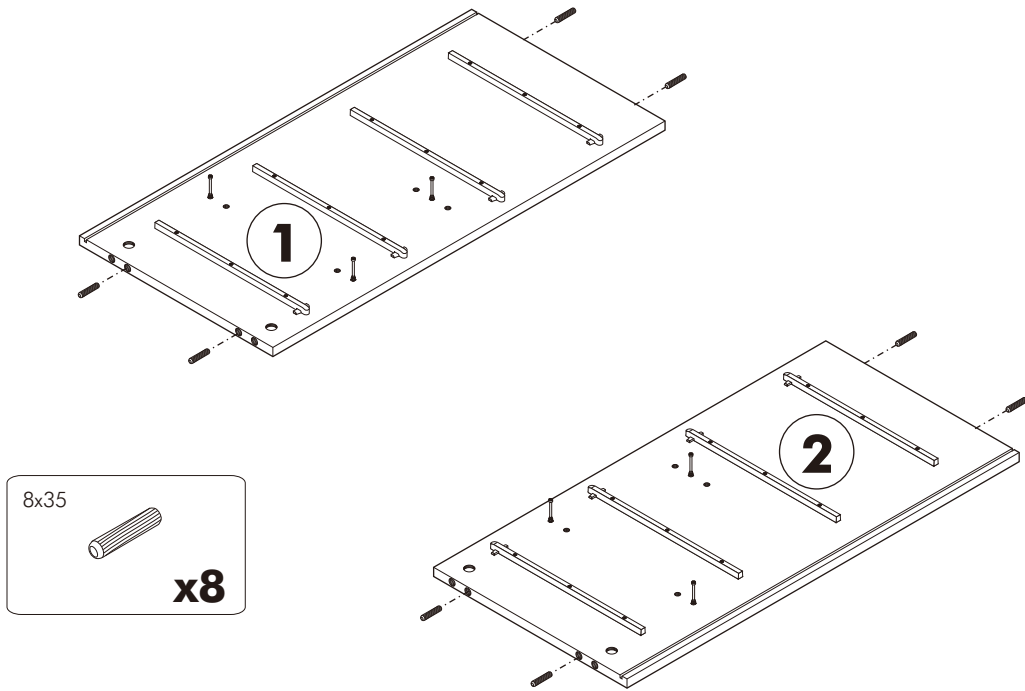
7.



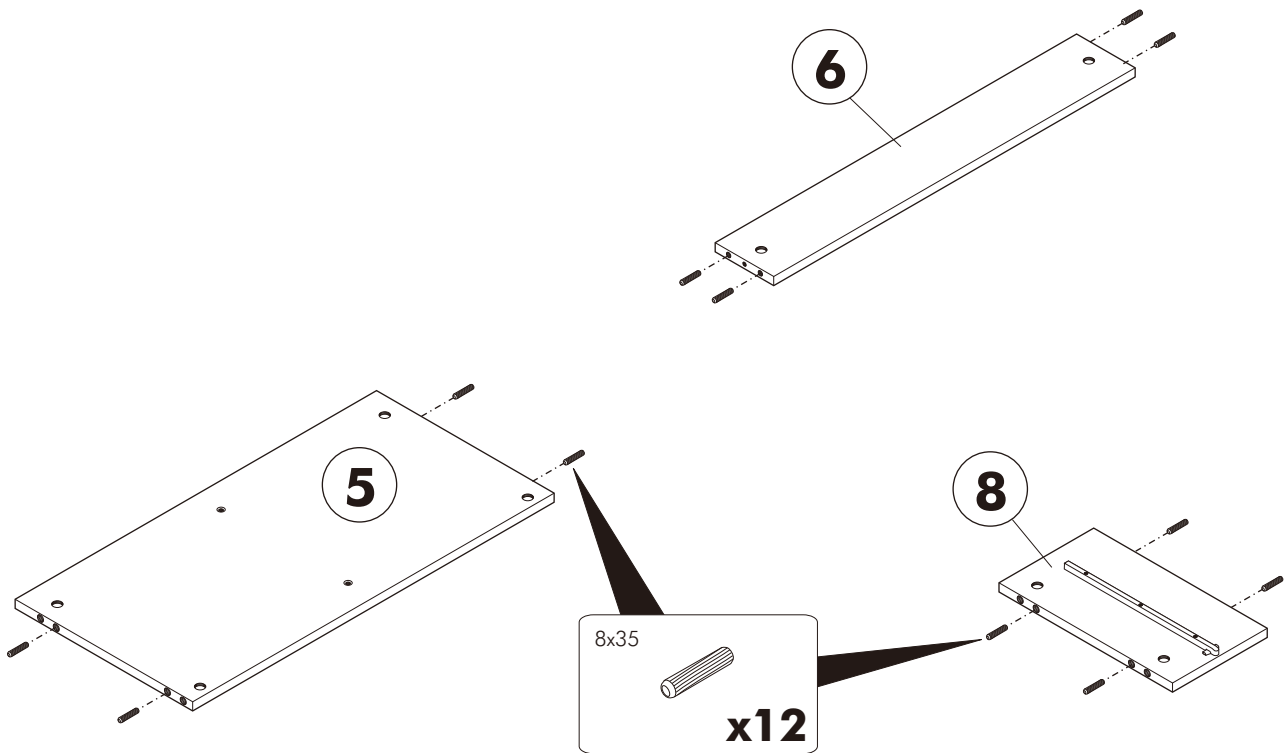
8.



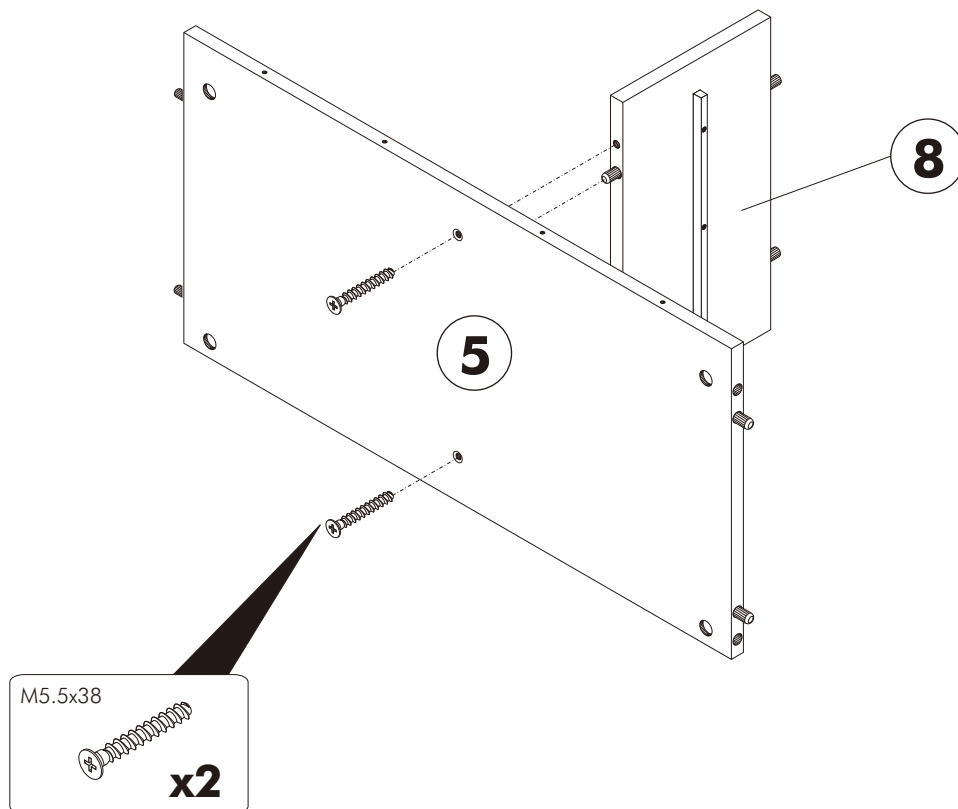
9.



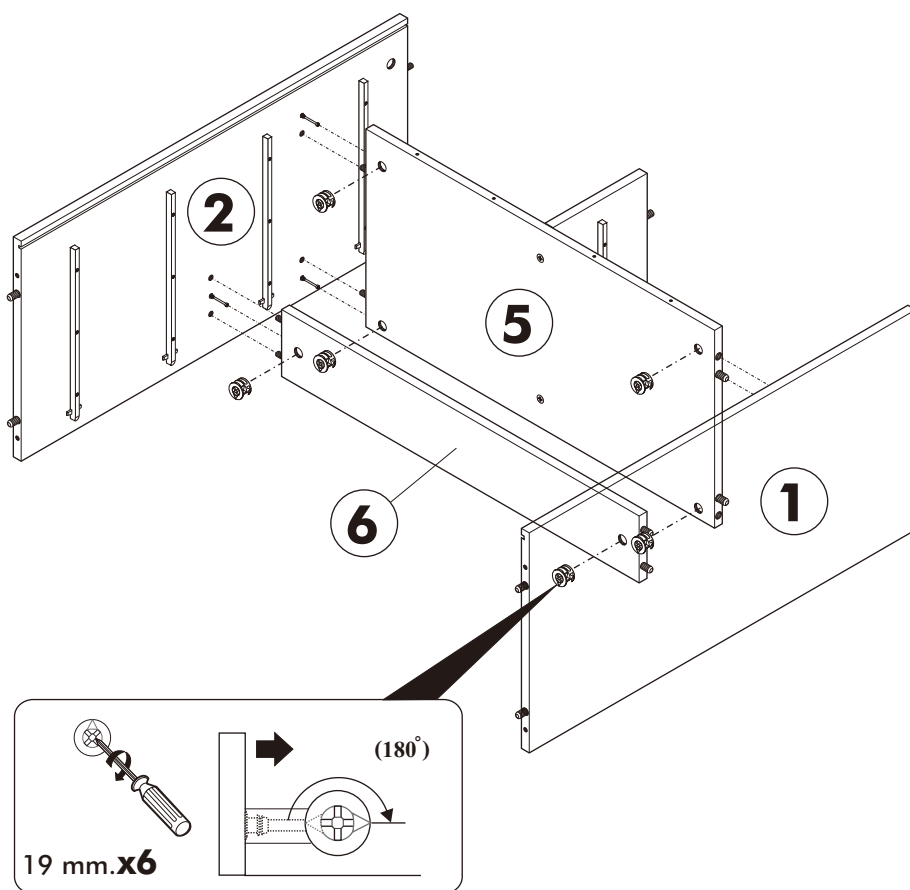
10.



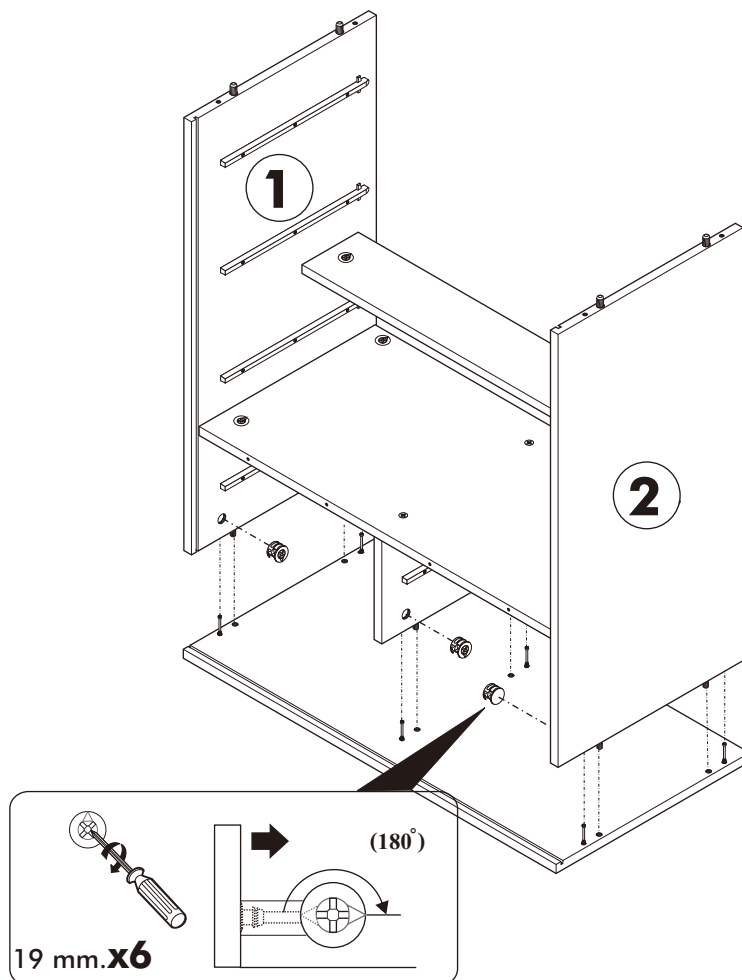
11.



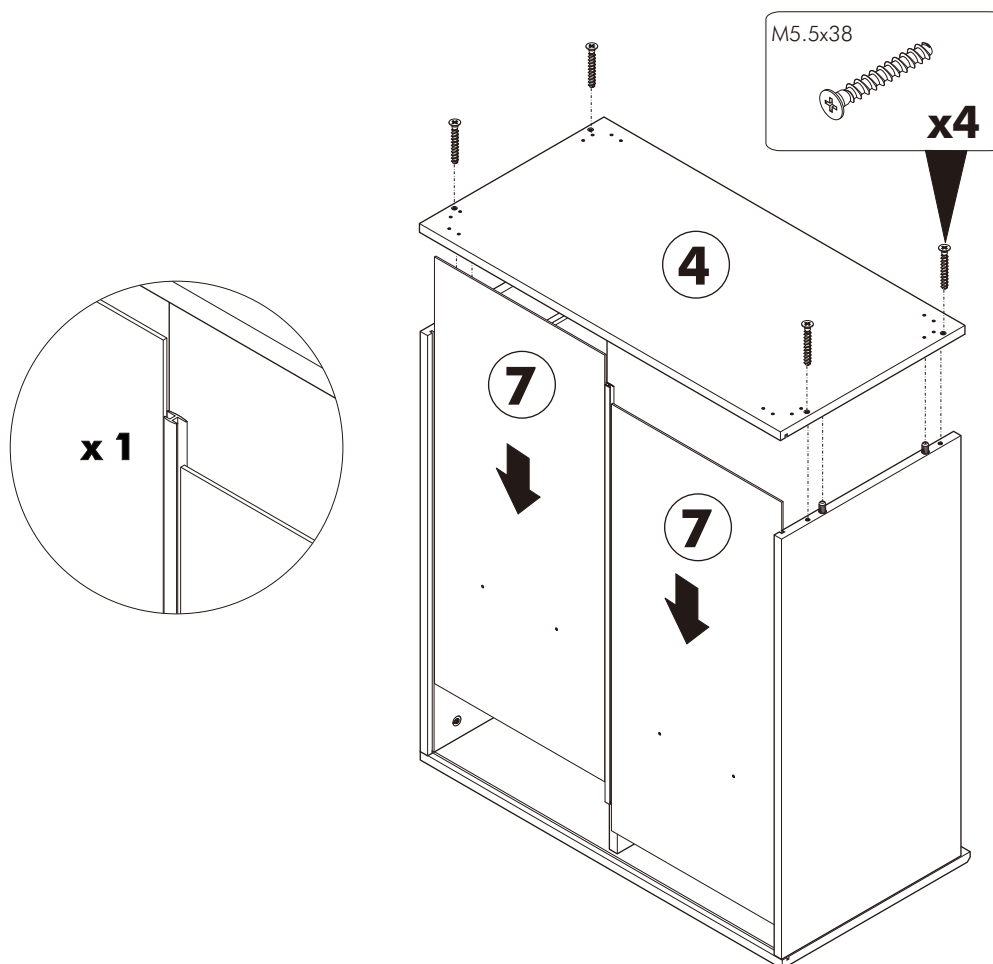
12.



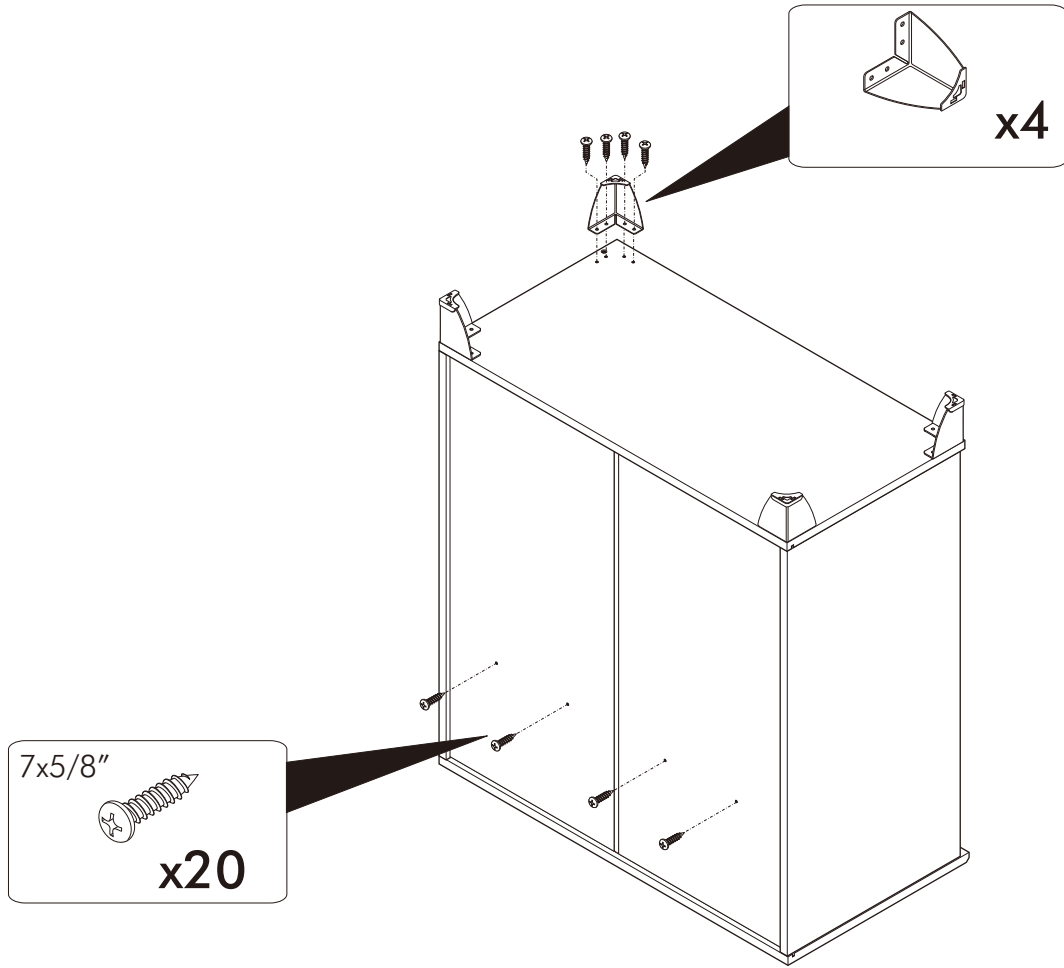
13.



14.

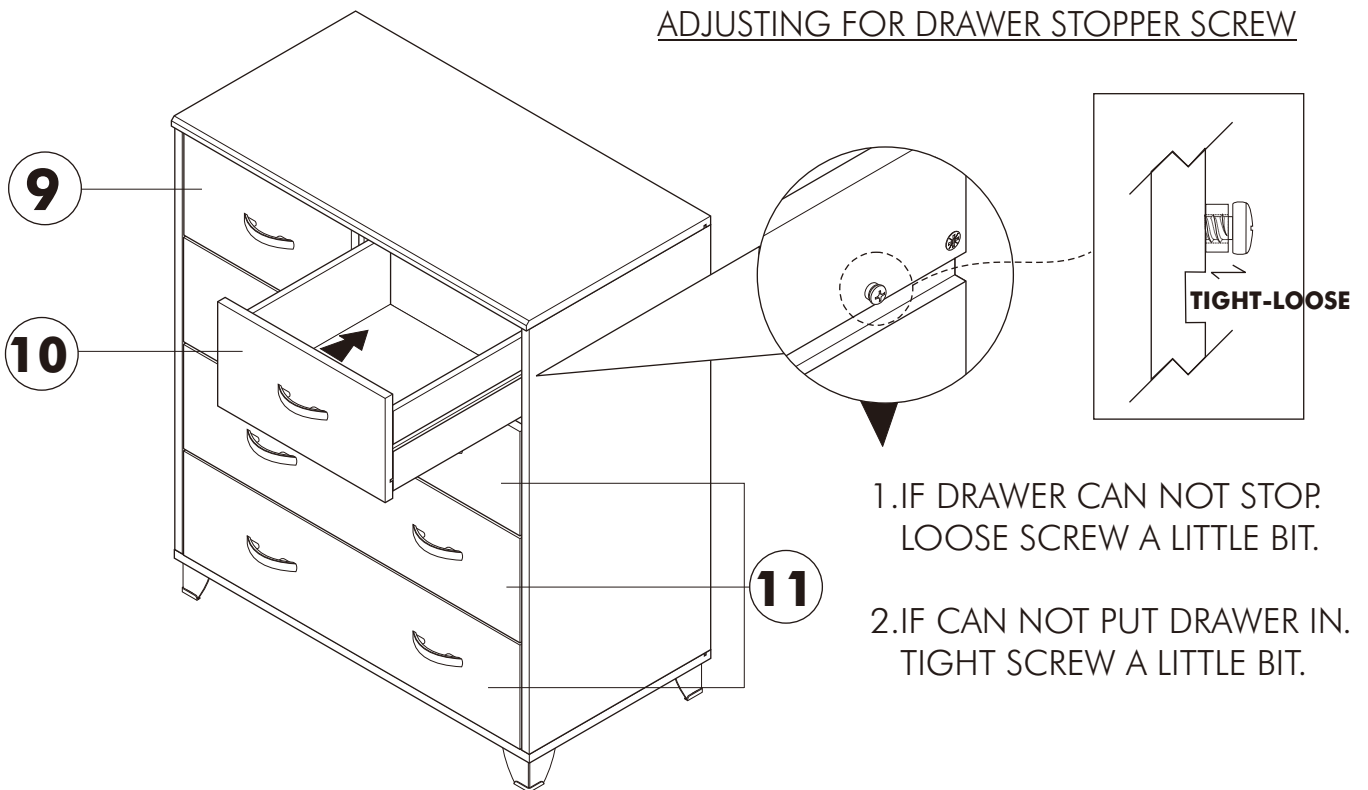


15.



16.

ADJUSTING FOR DRAWER STOPPER SCREW



17.

