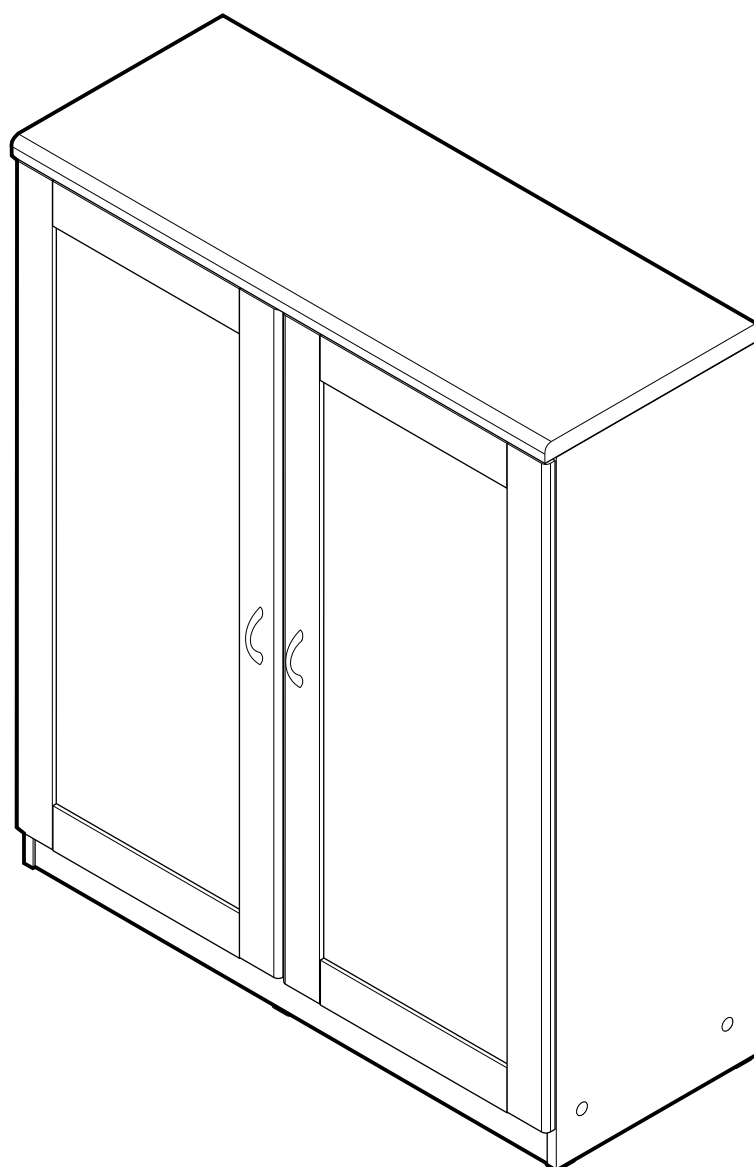
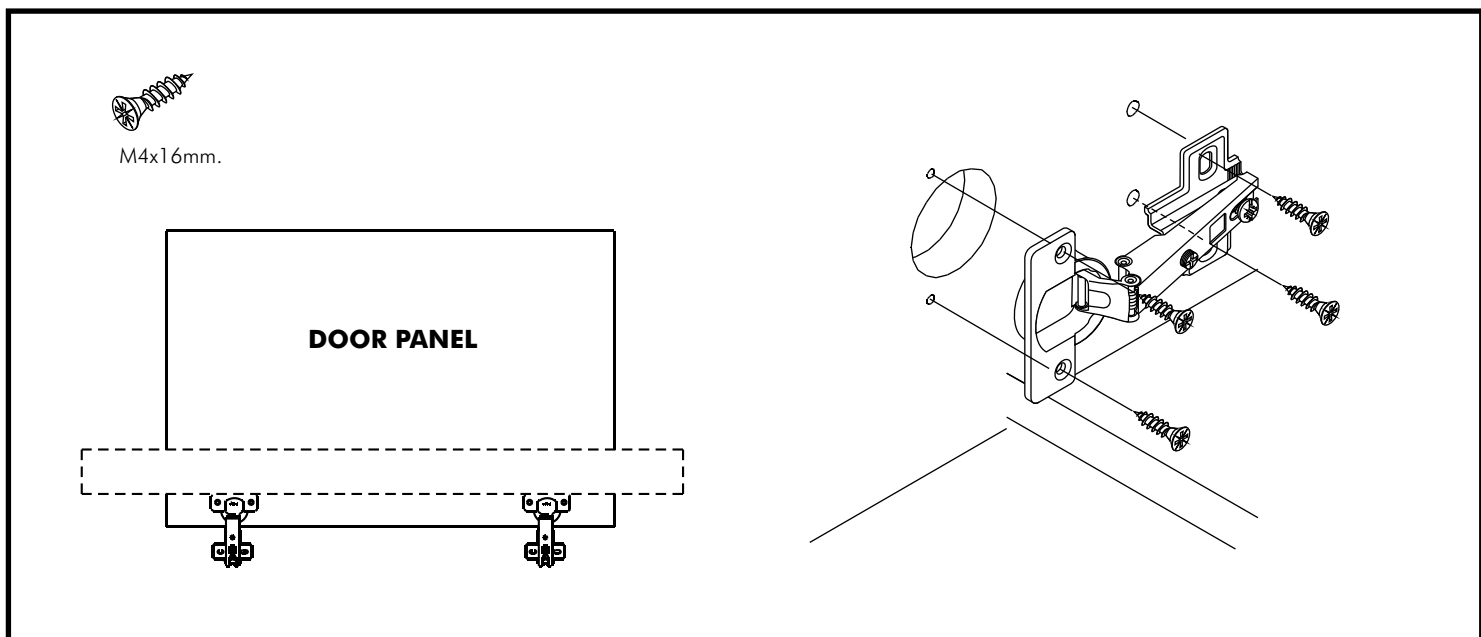
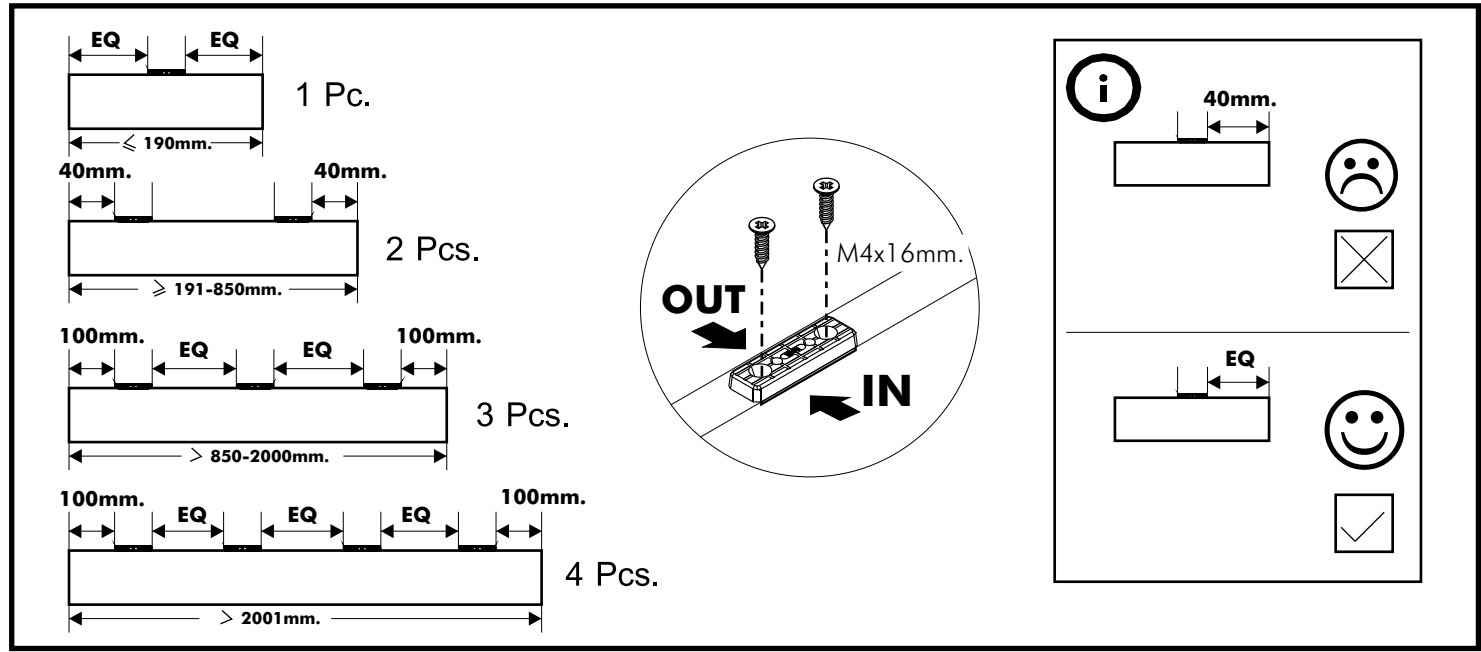


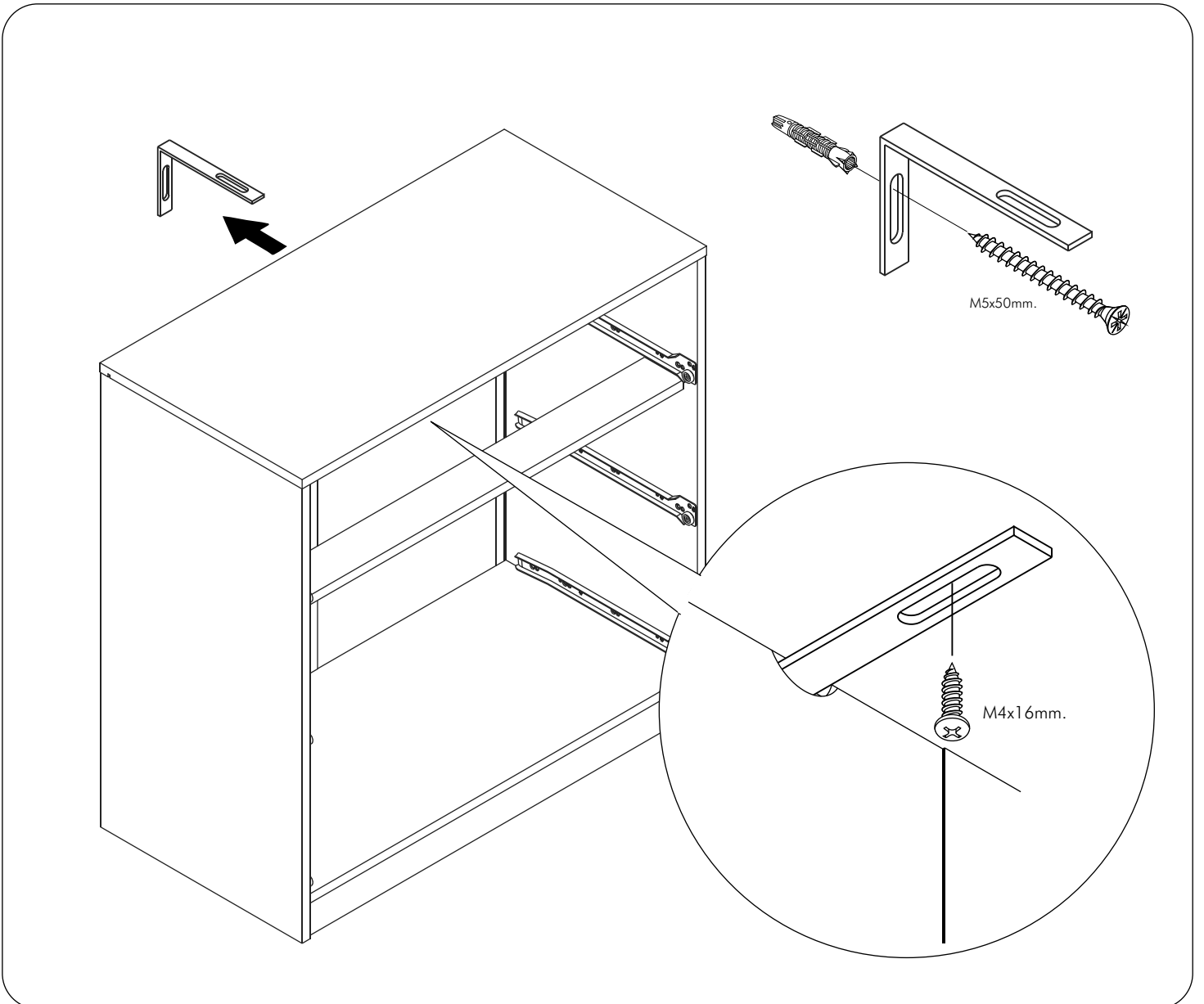
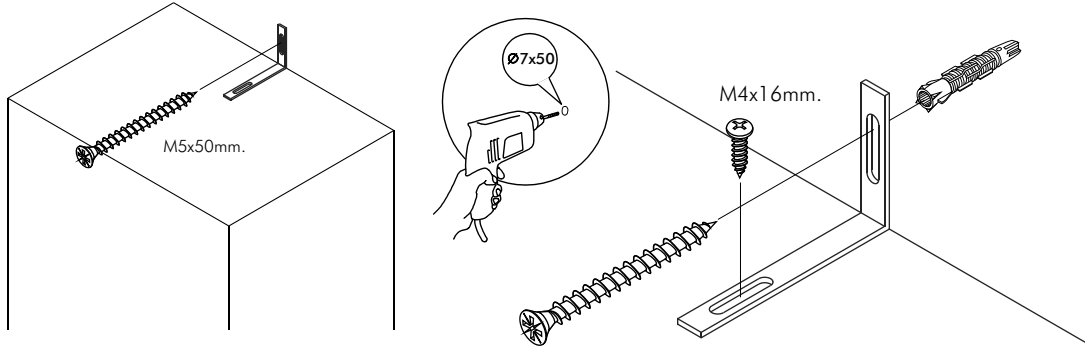
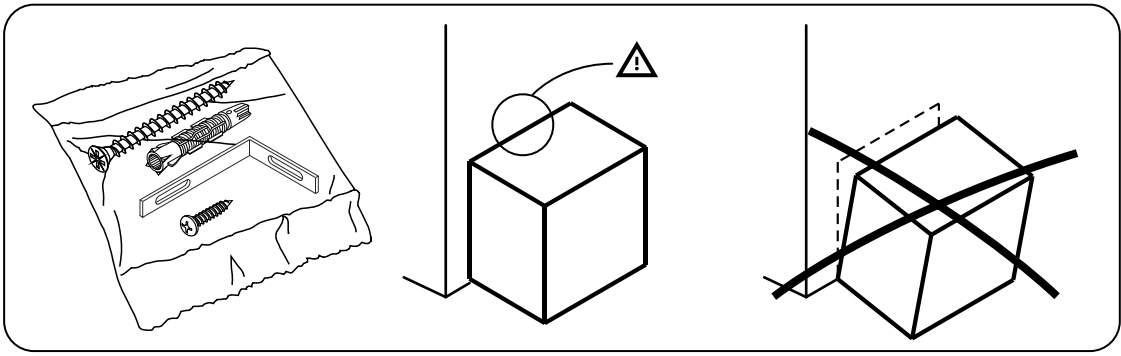
# NB TIMBER-S-P

Shoe cabinet



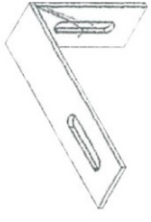
# CONNECT SYSTEM



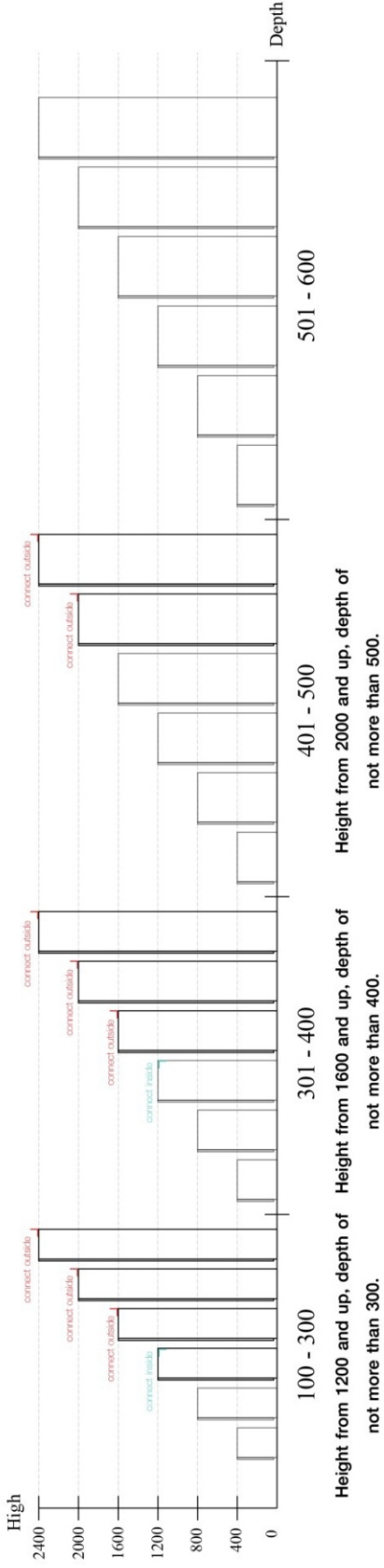


**The Standard for identifying which mounted safety fall protection fitting to use** **Note : That children's products must be installed with all anti-falling fittings.**

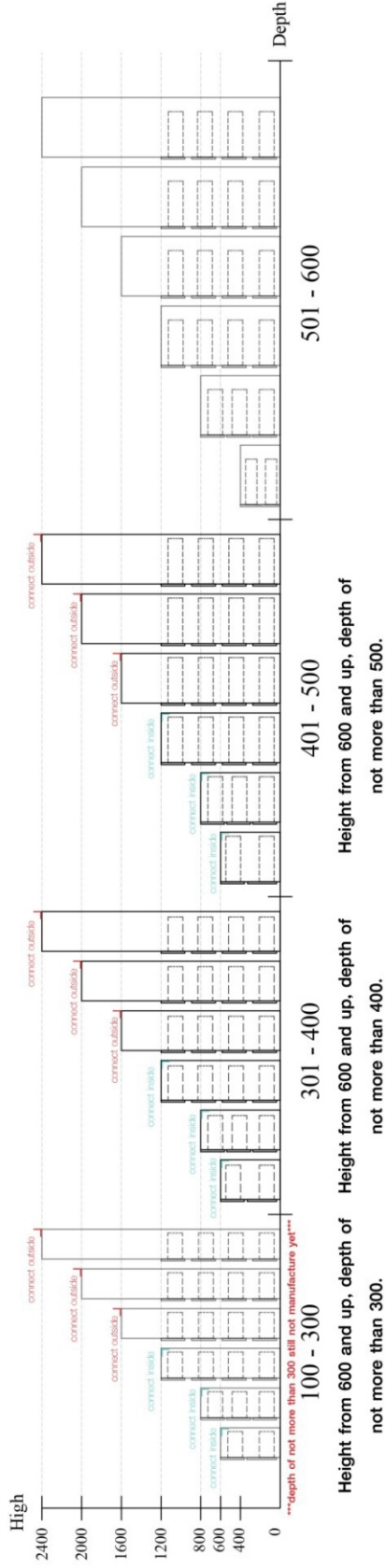
■ Mounted fall protection fittings



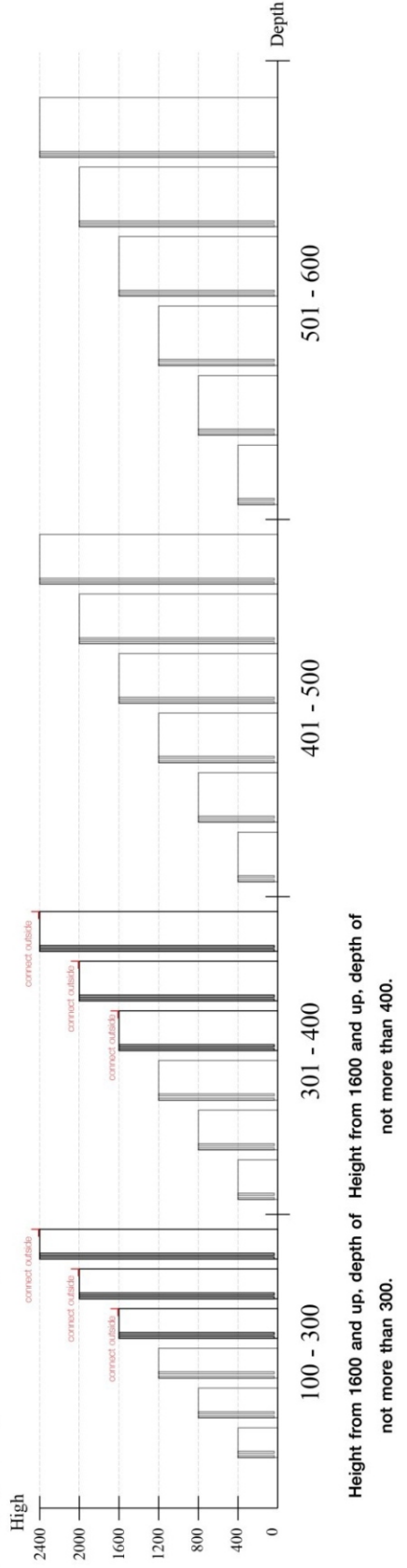
■ Category : Cabinet with open doors



■ Category : Chest of drawers

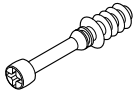


■ Category : Sliding door cabinet / Open cabinet



# HARDWARE

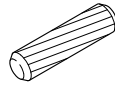
## -BODY SET



**x 6**

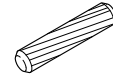


**x 6**



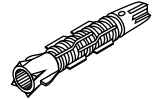
8x35mm.

**x 12**

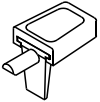


6x35mm.

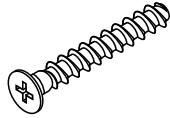
**x 18**



**x 1**



**x 40**



M5.5x38

**x 6**



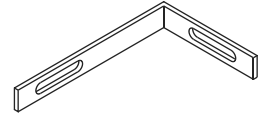
5x5/8"

**x 8**

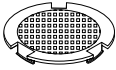


M4x16mm.

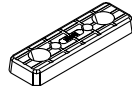
**x 10**



**x 1**



**x 4**



**x 5**

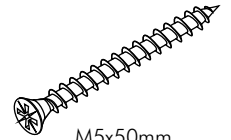


**x 4**



M4x16mm.

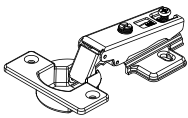
**x 1**



M5x50mm.

**x 1**

## -DOOR SET



**x 4**

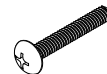


M4x16mm.

**x 16**



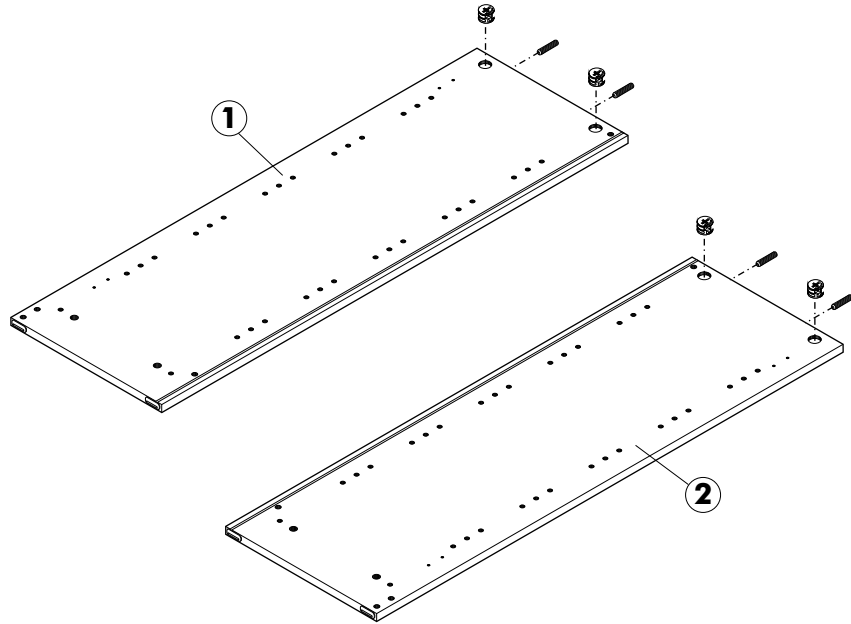
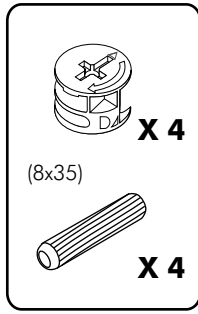
**x 2**



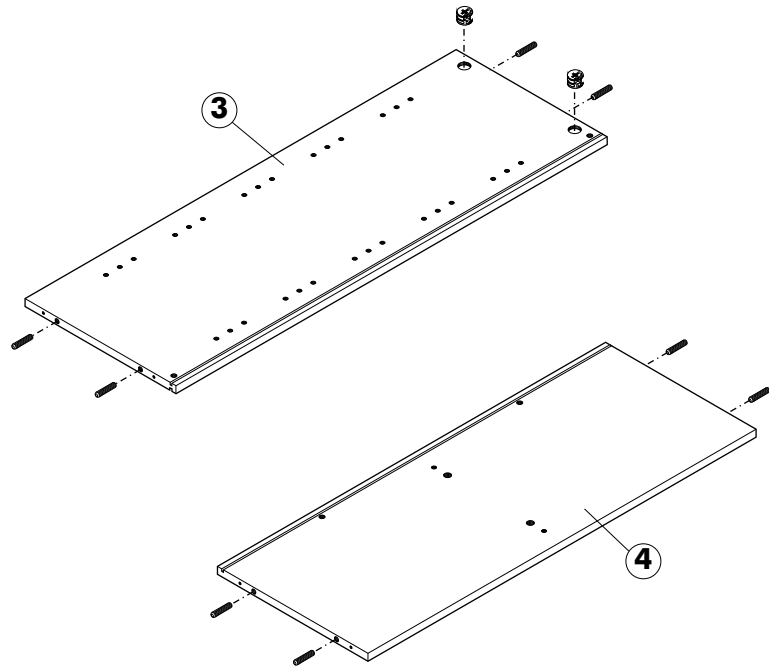
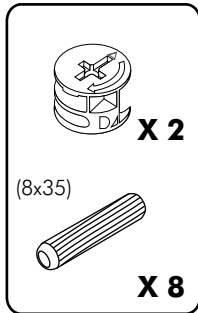
M4x25 mm.

**x 4**

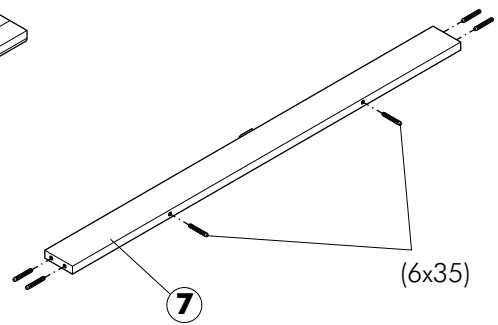
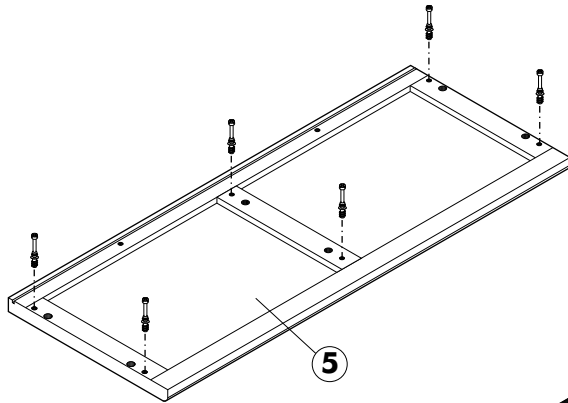
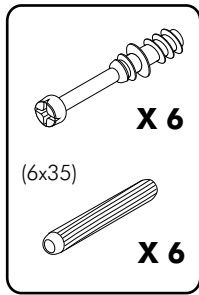
**1.**



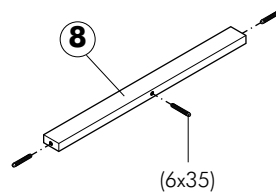
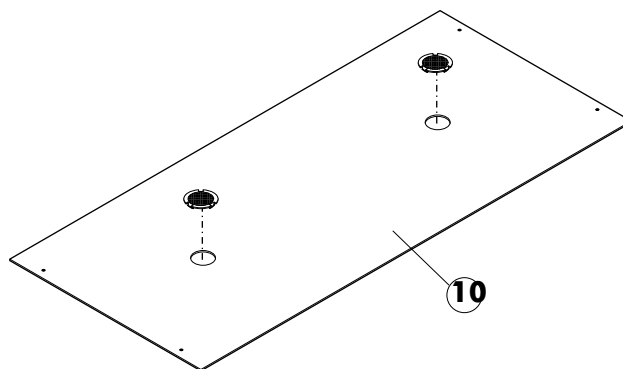
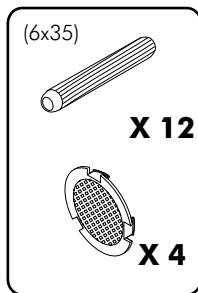
**2.**



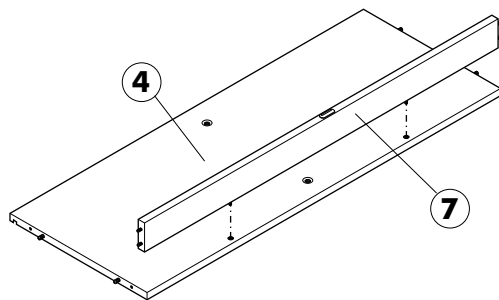
**3.**



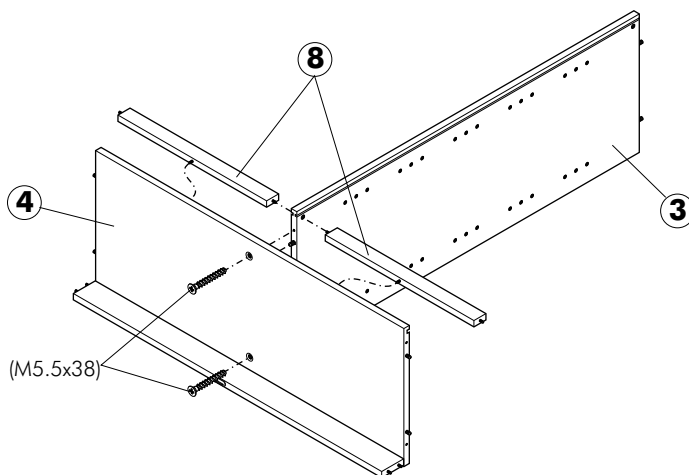
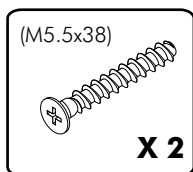
**4.**



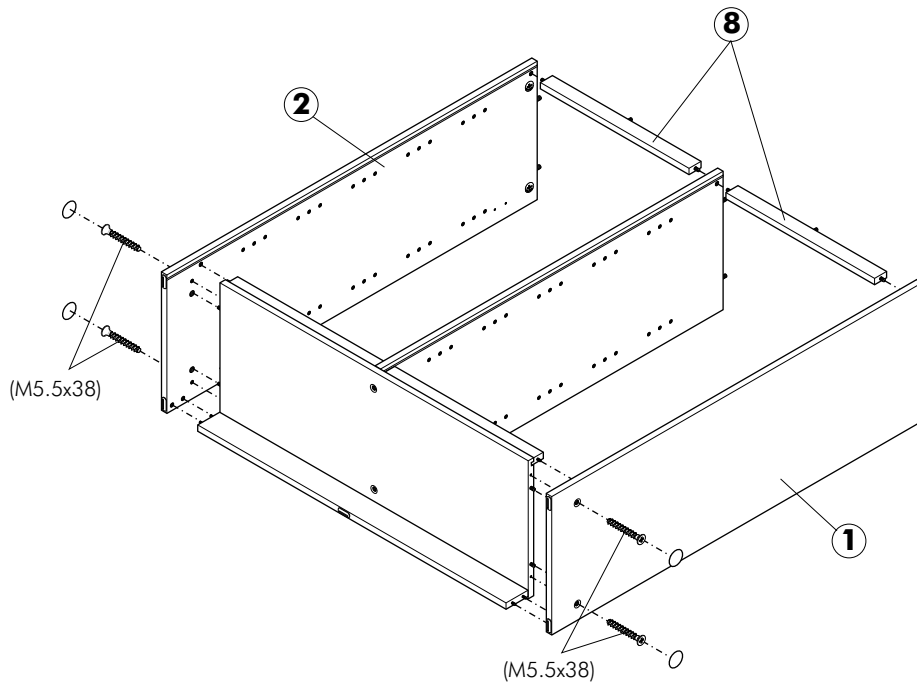
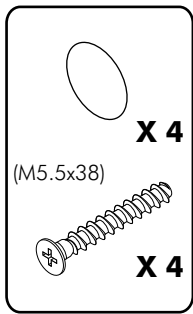
# 5.



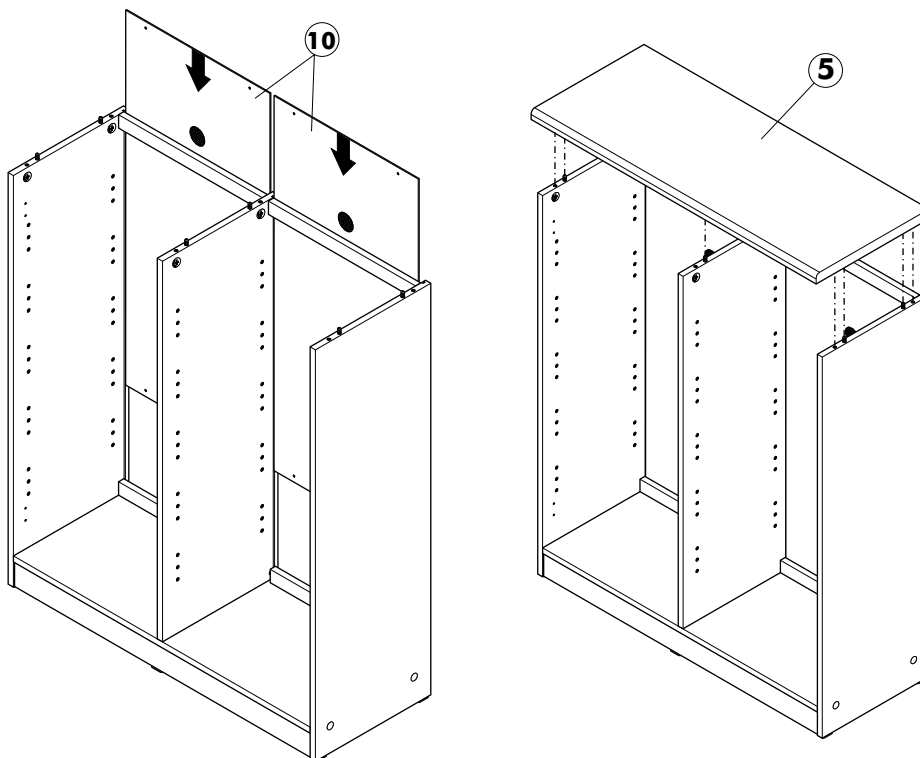
# 6.



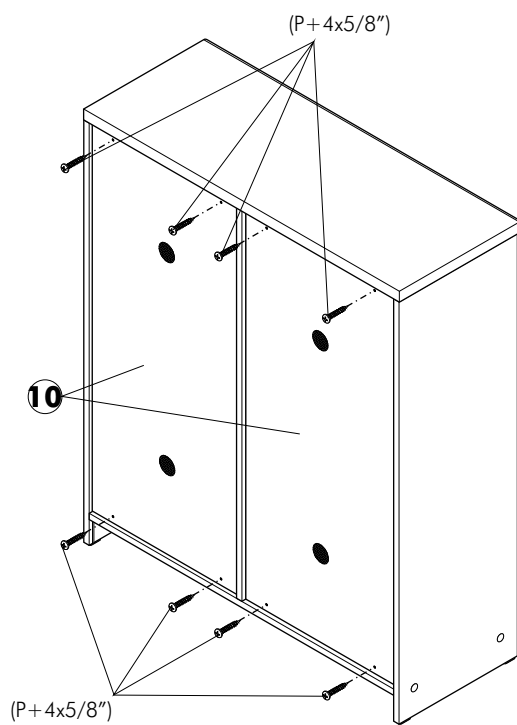
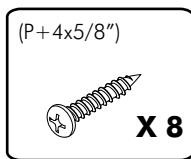
# 7.



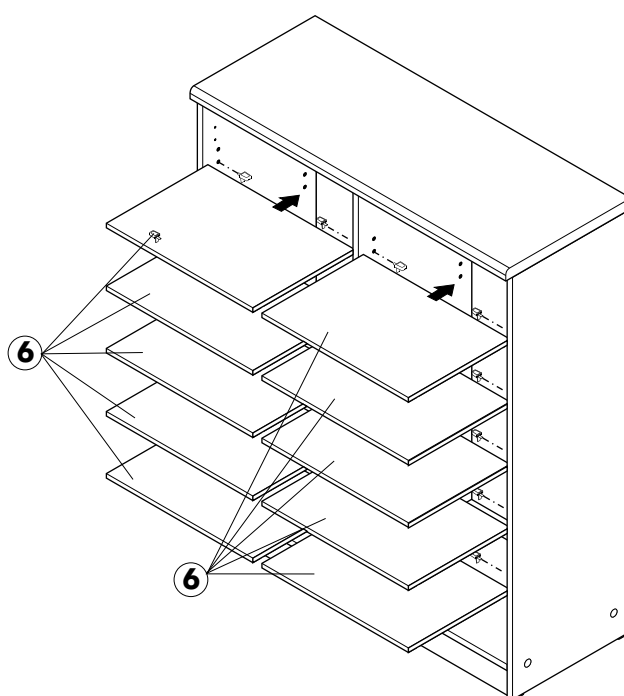
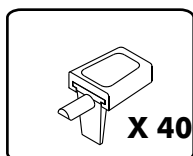
# 8.



# 9.



# 10.



# 11.

