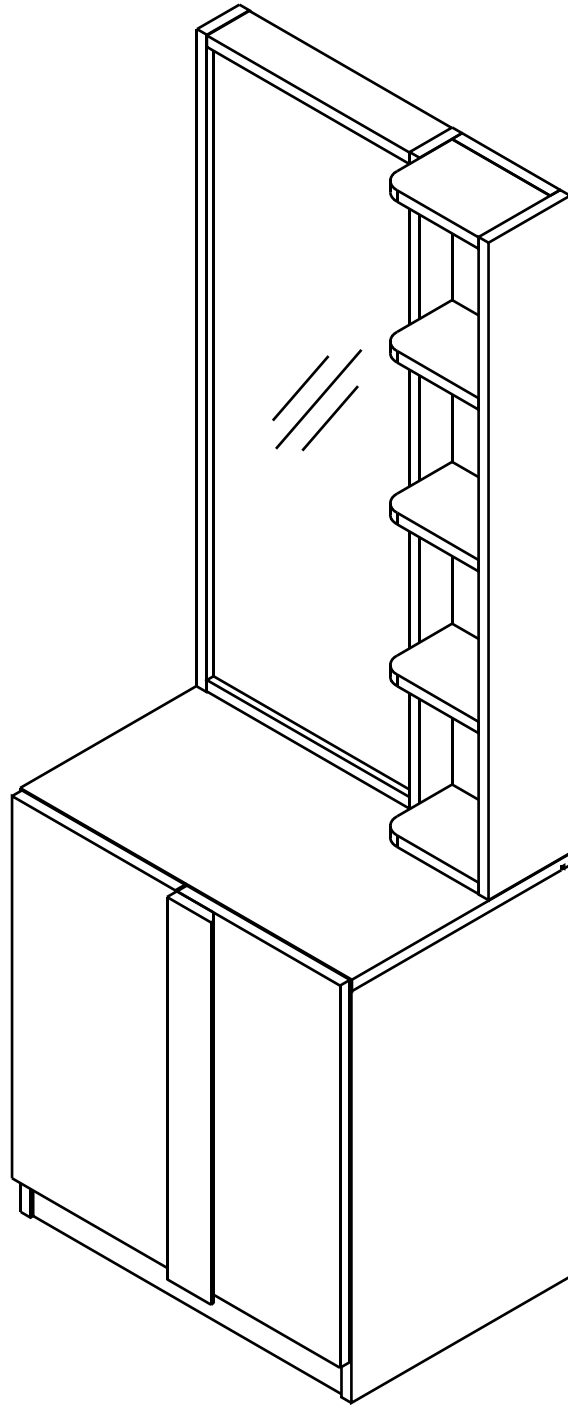
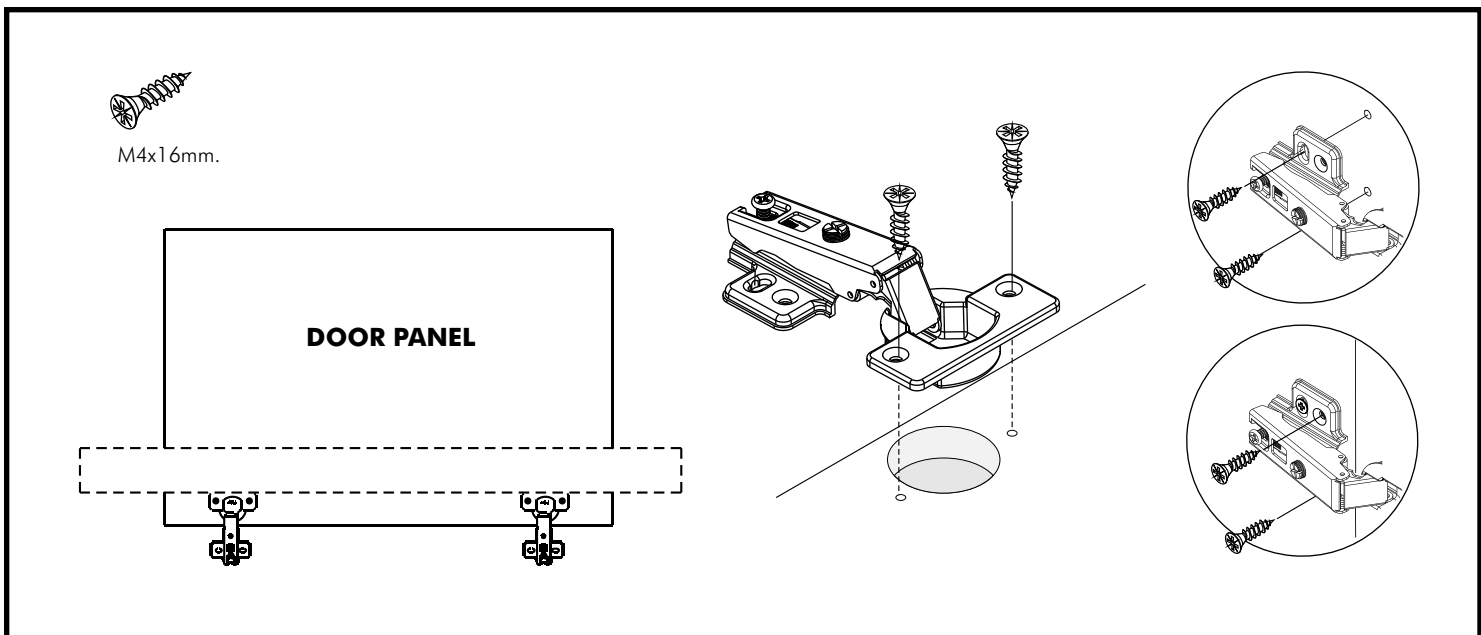
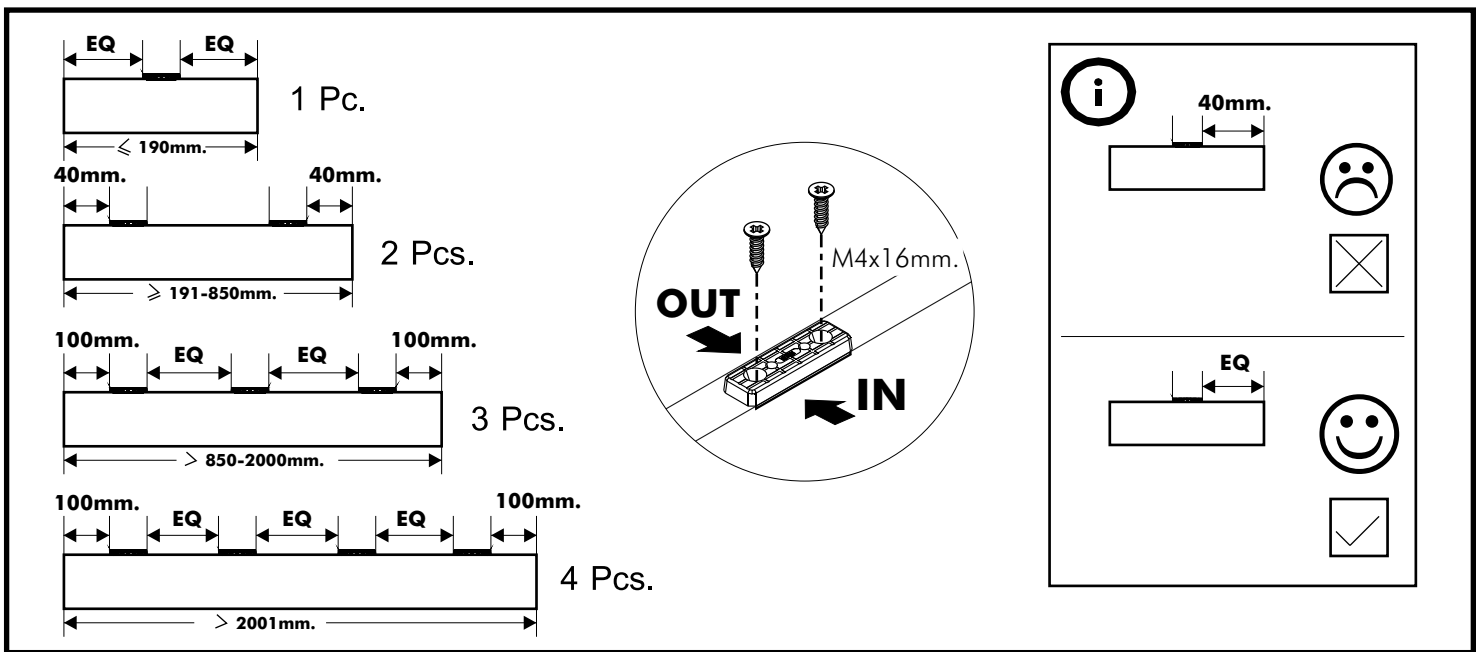


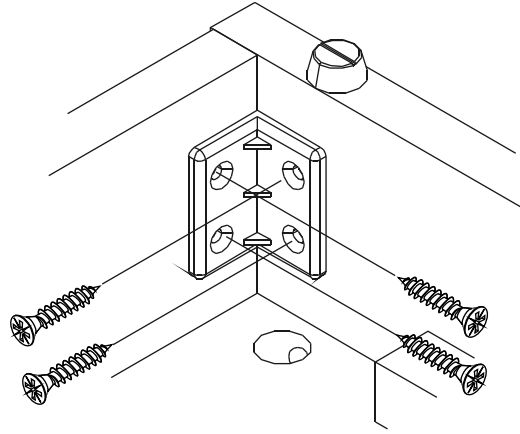
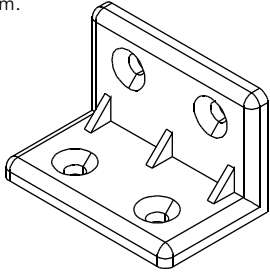
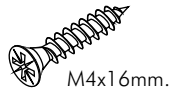
# PIANO - P

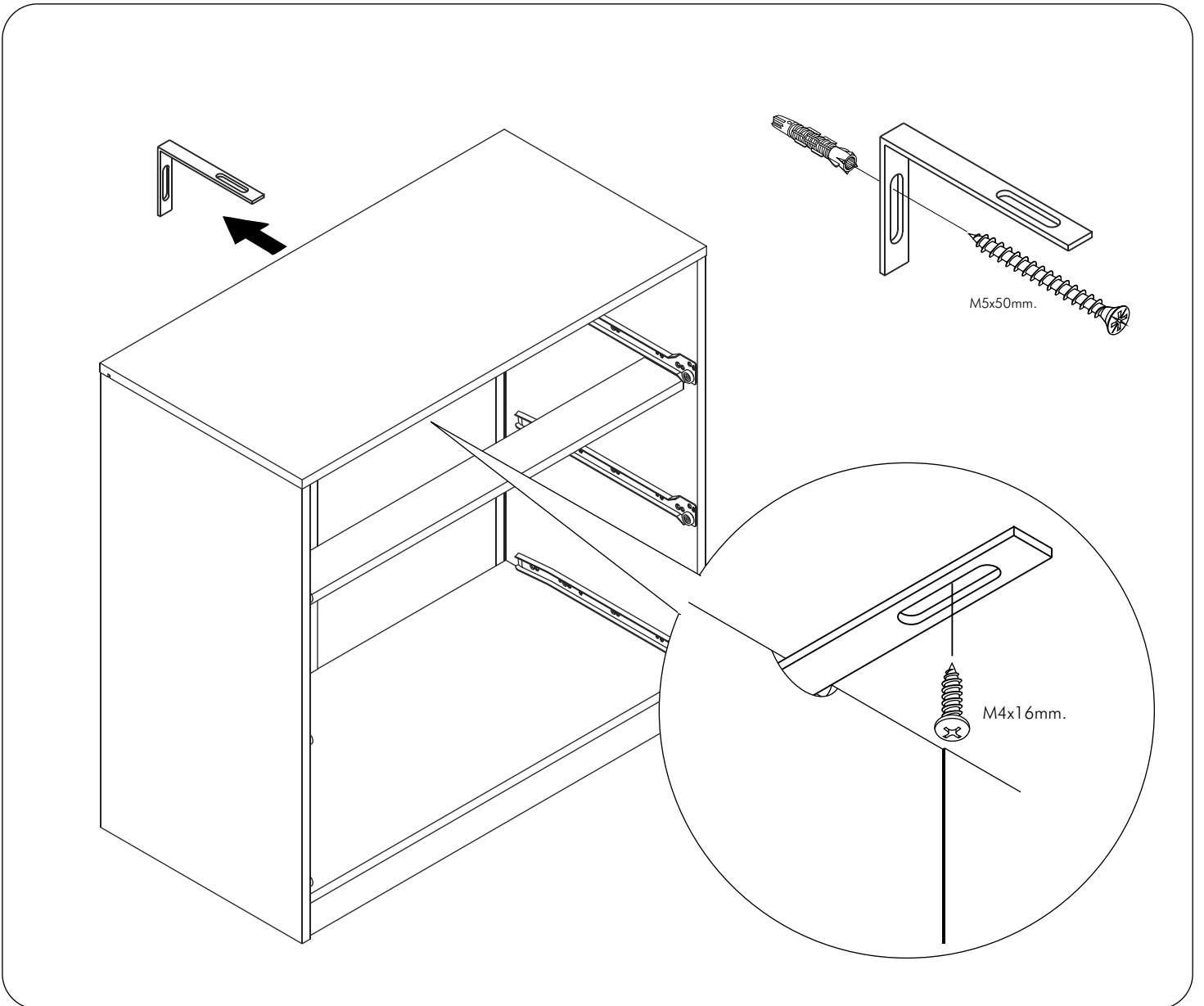
Dressing Table



# CONNECT SYSTEM

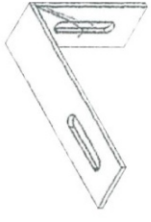




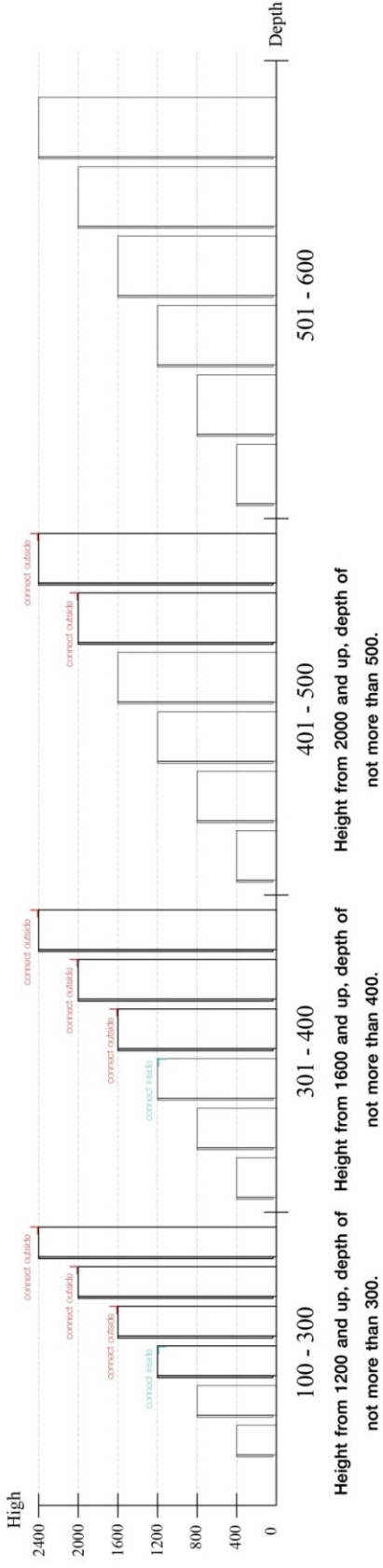


**The Standard for identifying which mounted safety fall protection fitting to use** **Note : That children's products must be installed with all anti-falling fittings.**

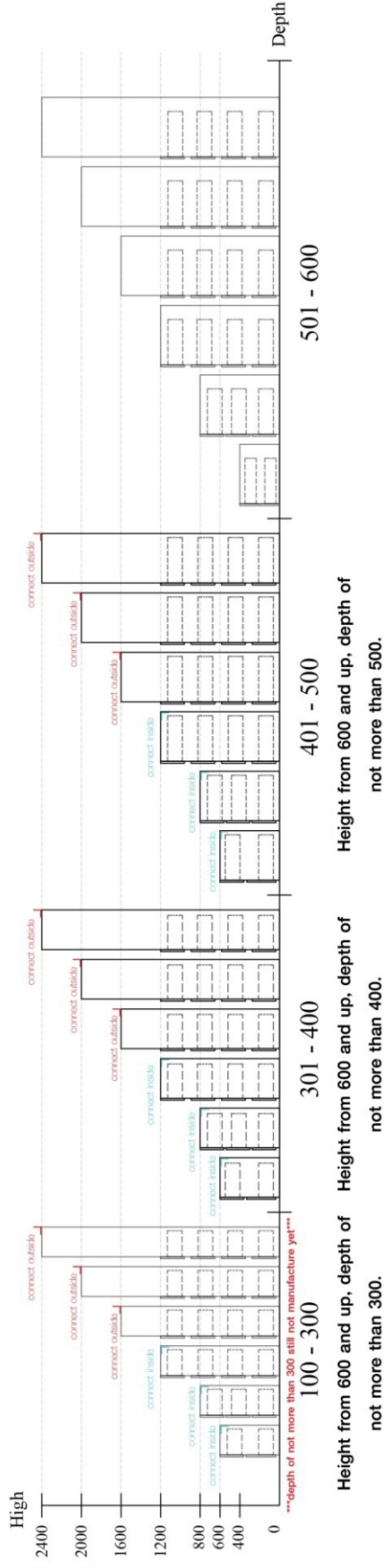
■ Mounted fall protection fittings



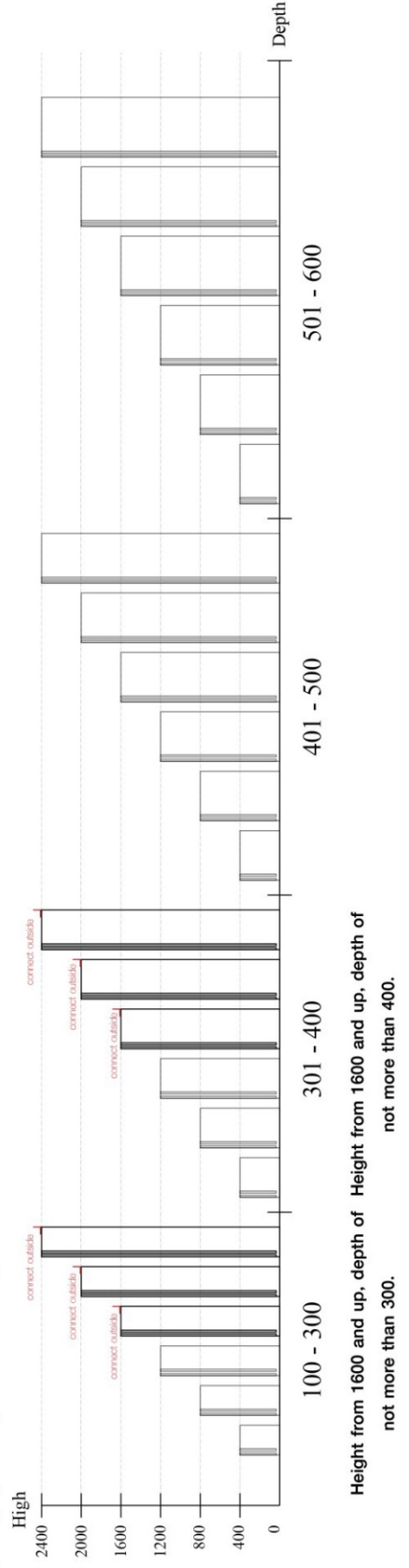
■ Category : Cabinet with open doors



■ Category : Chest of drawers

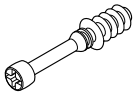


■ Category : Sliding door cabinet / Open cabinet



# HARDWARE

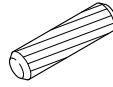
## -BODY SET



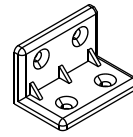
**x 16**



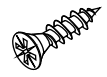
**x 16**



**x 26**



**x 8**



M4x16mm.

**x 40**

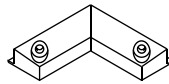


**x 4**



M4x16mm.

**x 3**



**x 2**

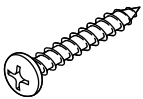


M3.5x20mm.

**x 8**

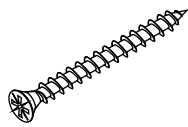


**x 4**



M4x30mm.

**x 5**



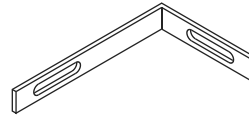
M4x40mm.

**x 8**

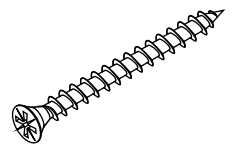


M4x30mm.

**x 4**

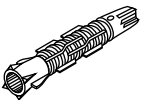


**x 1**

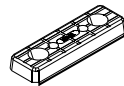


M5x50mm.

**x 1**

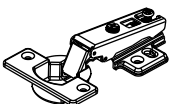


**x 1**

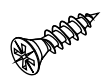


**x 4**

## -DOOR SET



**x 4**



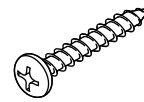
M4x16mm.

**x 24**



Ø11mm.

**x 3**



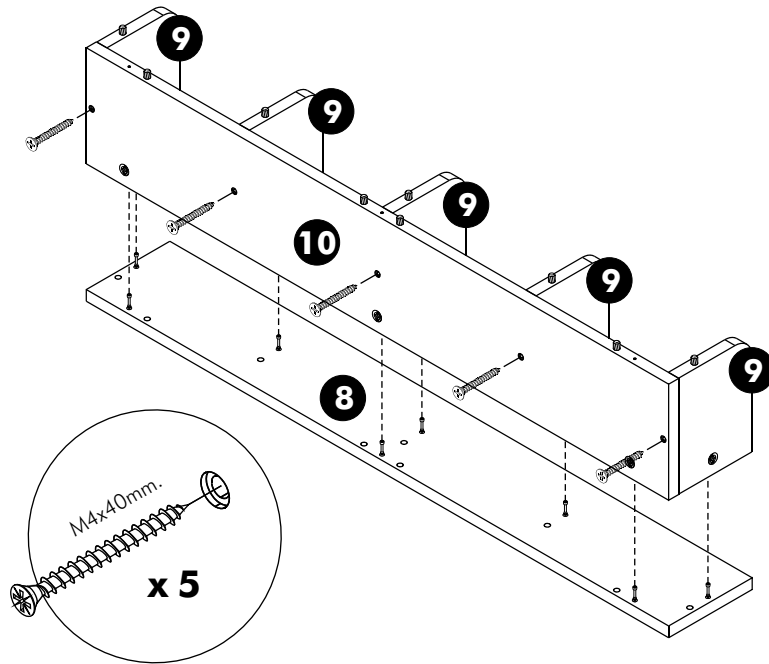
M4x25mm.

**x 3**

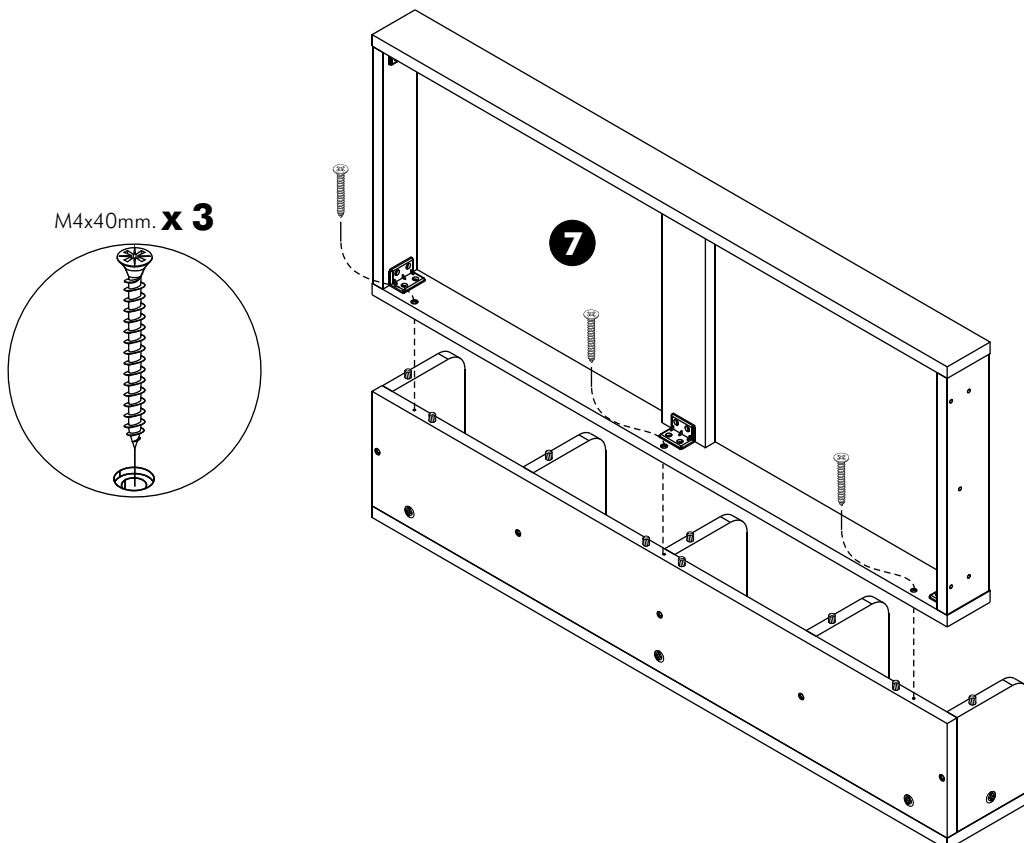
# ASSEMBLY

-BODY SET

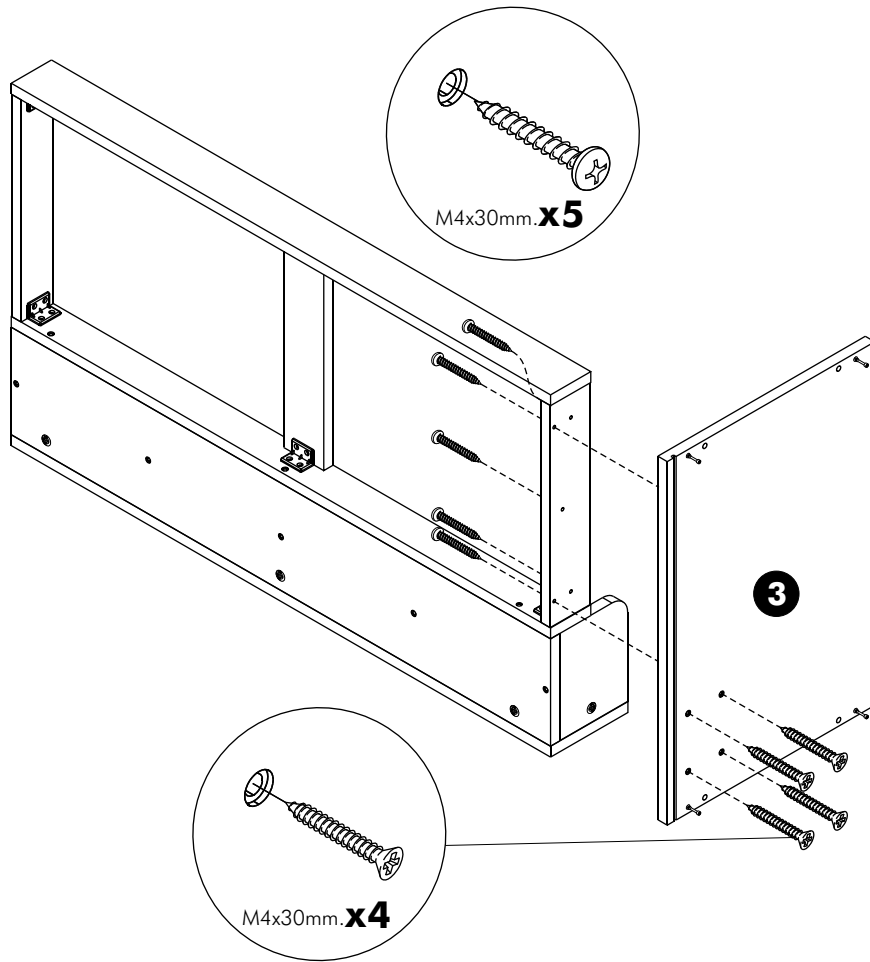
## 1.



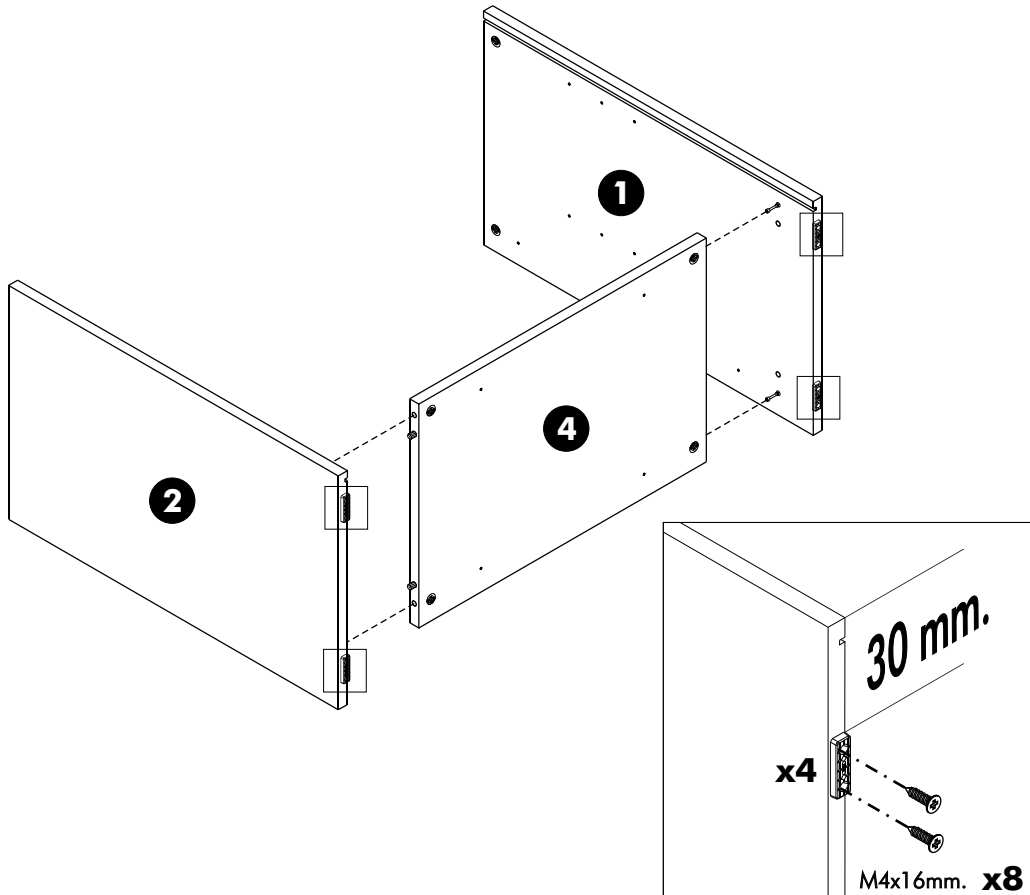
## 2.



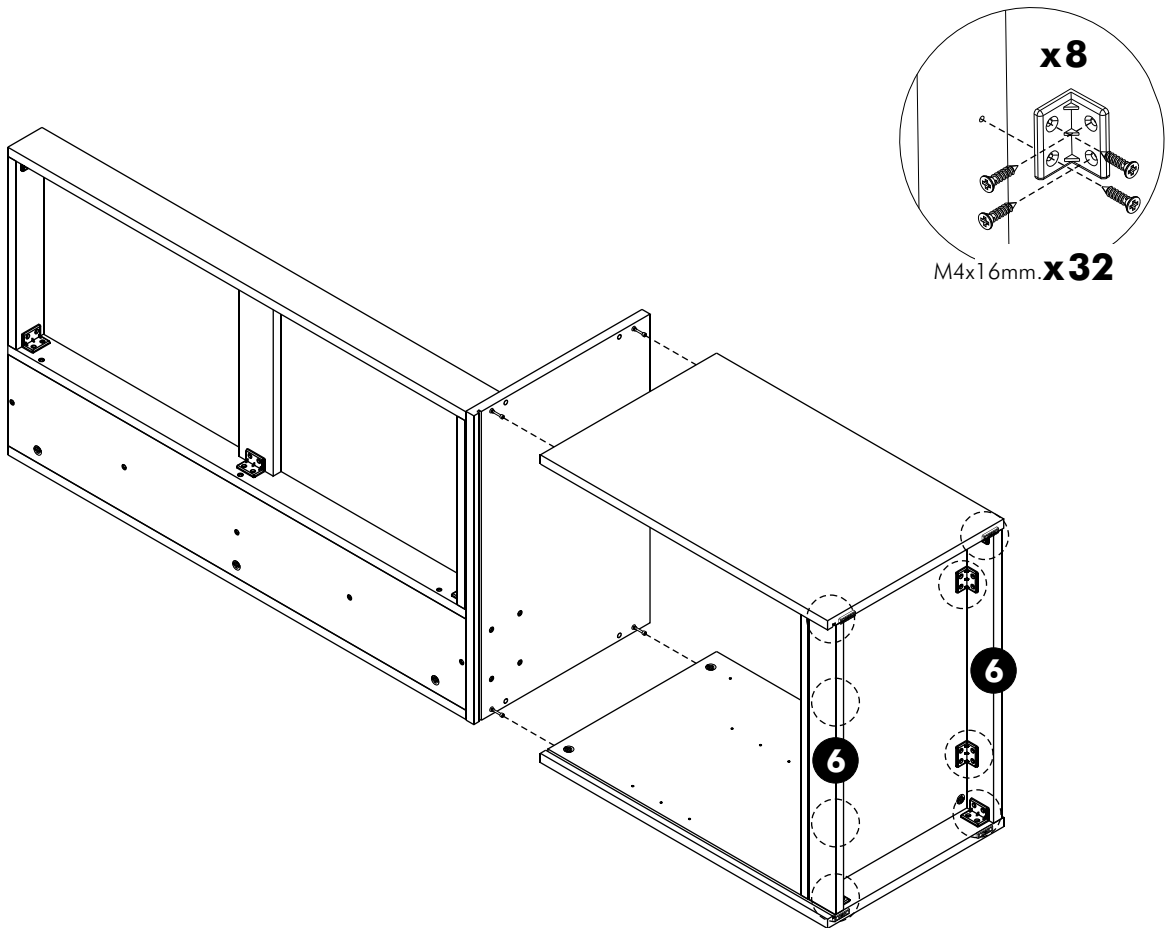
**3.**



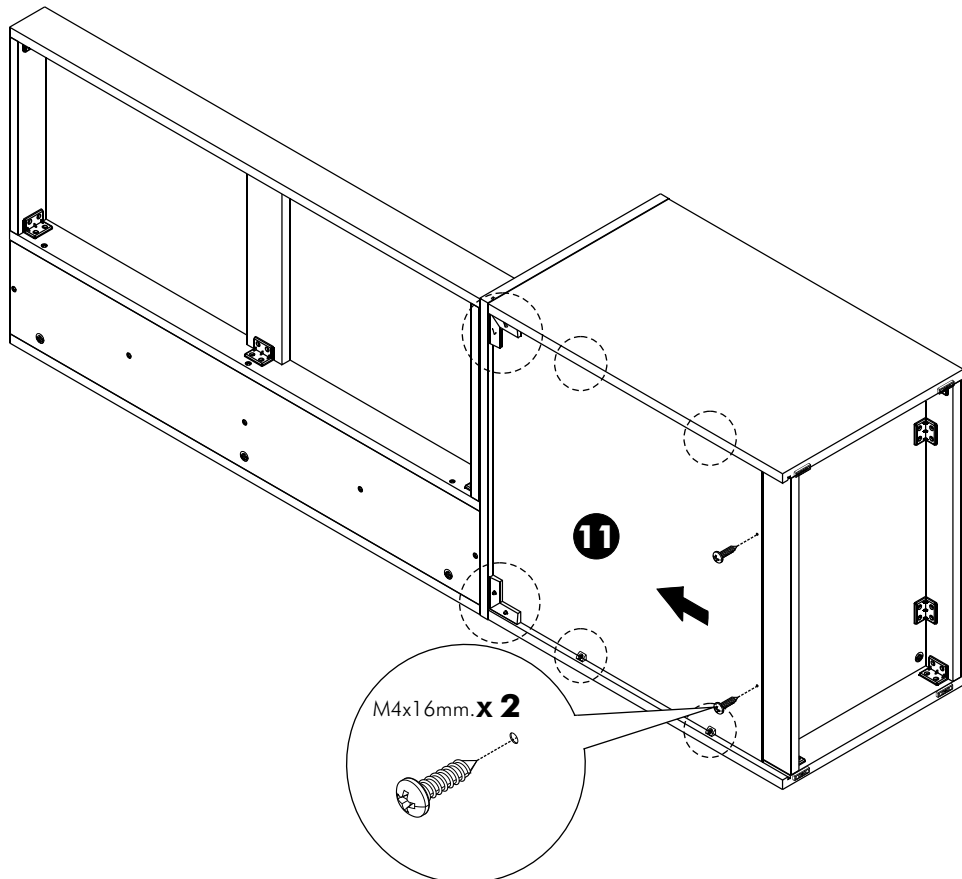
**4.**



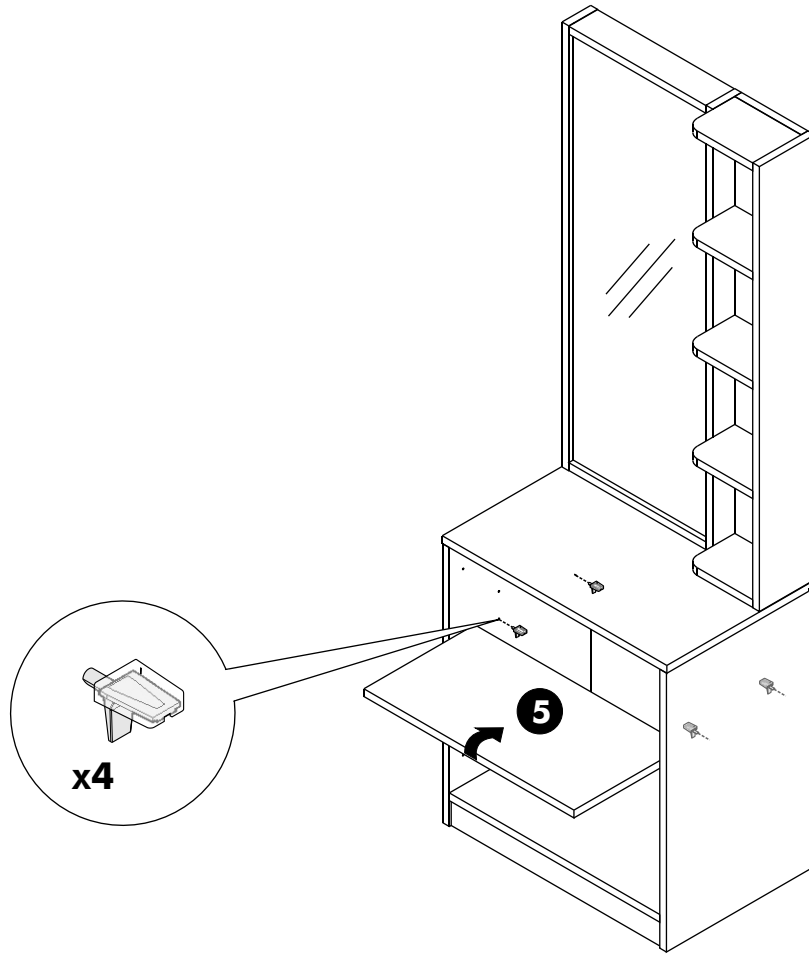
**5.**



**6.**



**7.**



**ASSEMBLY**

-DOOR SET

