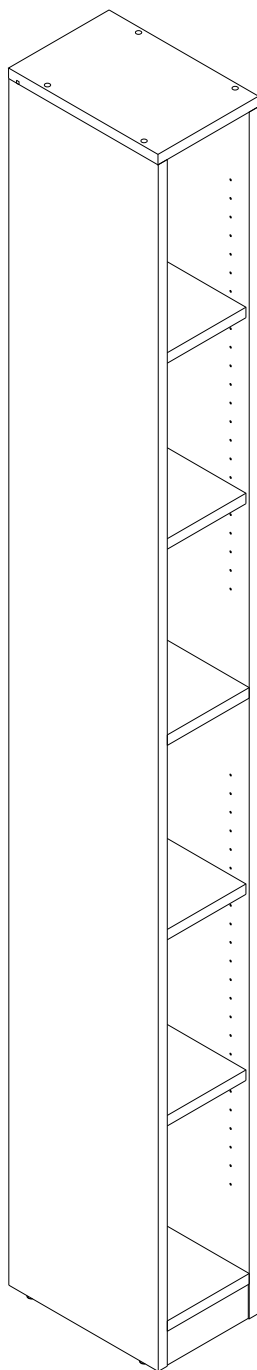
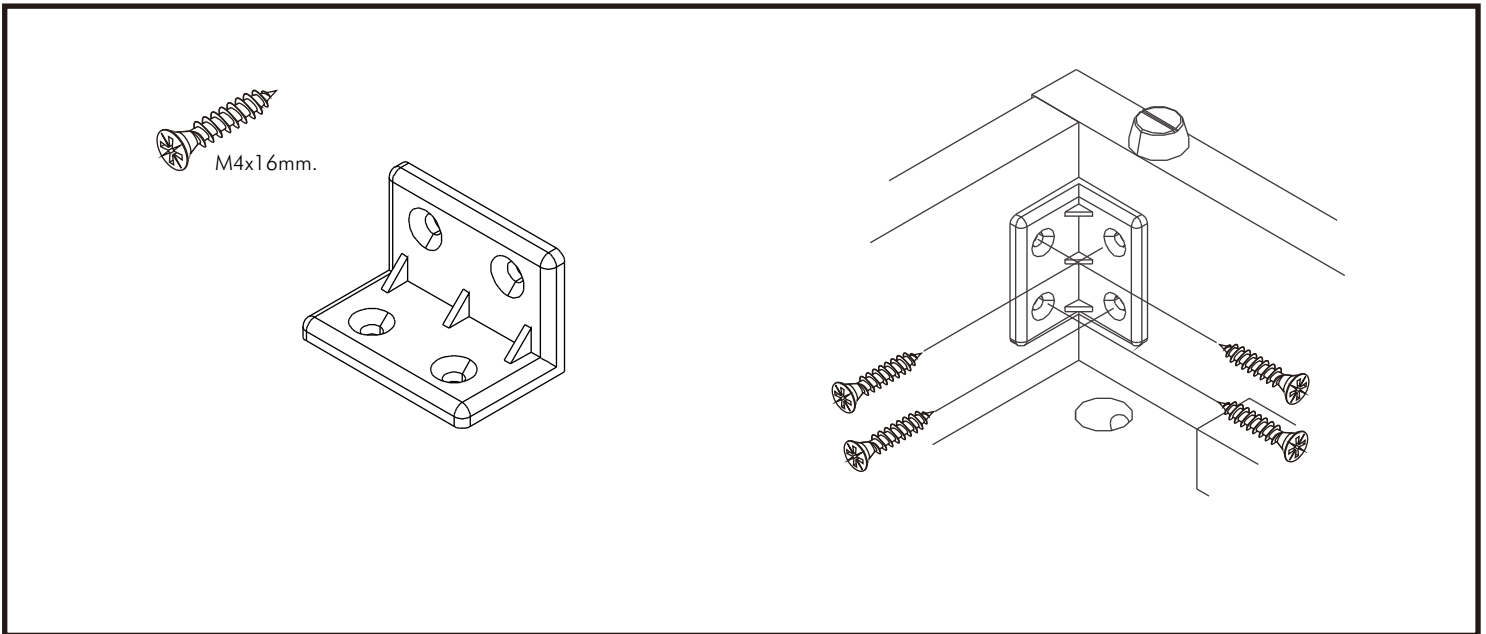
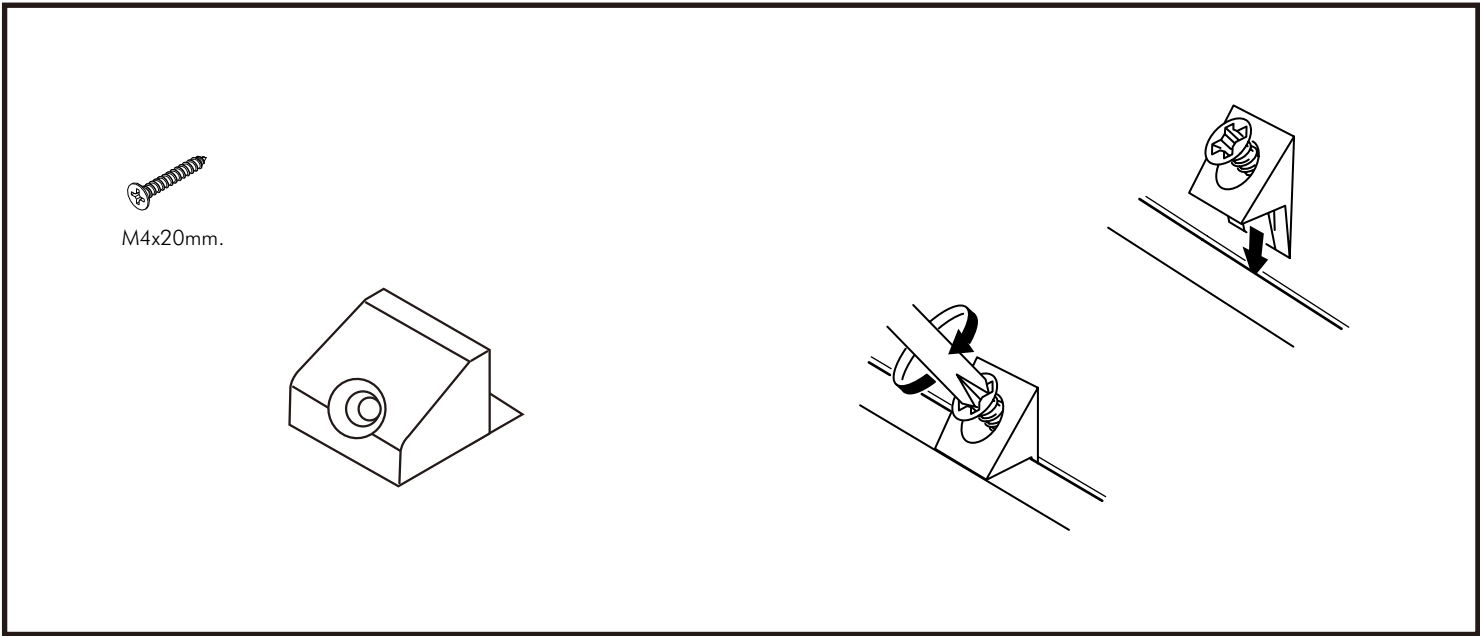
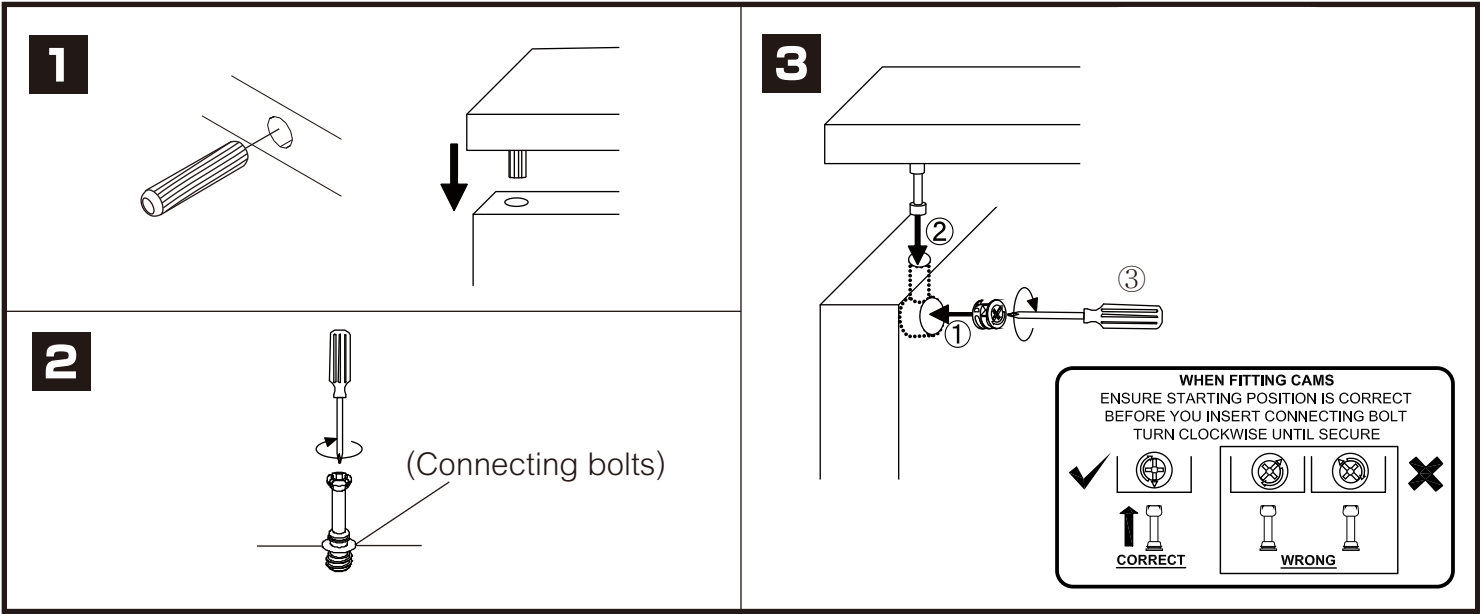


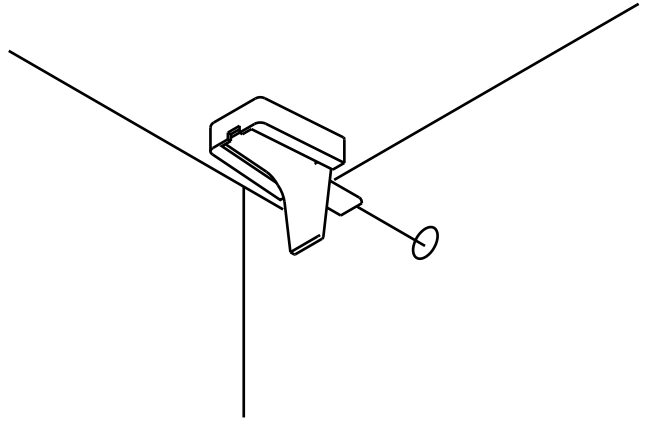
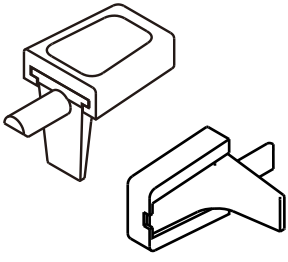
# EXTREME

Living high shelf 20 cm.



# CONNECT SYSTEM

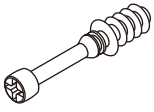






# HARDWARE

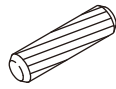
## -BODY SET



**X 8**



**X 8**



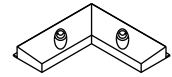
#8x35

**X 12**



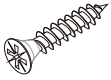
#F+M4x16

**X 16**



#63x63mm.

**X 2**



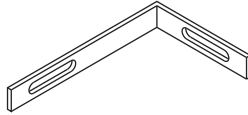
#F+M3.5x20

**X 11**

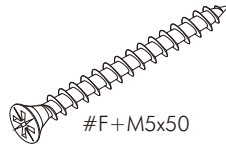


#P+M4x16

**X 3**

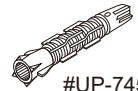


**X 1**



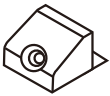
#F+M5x50

**X 1**

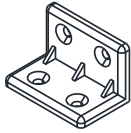


#UP-745

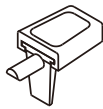
**X 1**



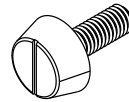
**X 7**



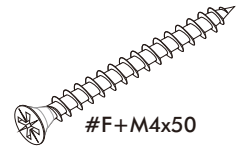
**X 4**



**X 16**



**X 4**



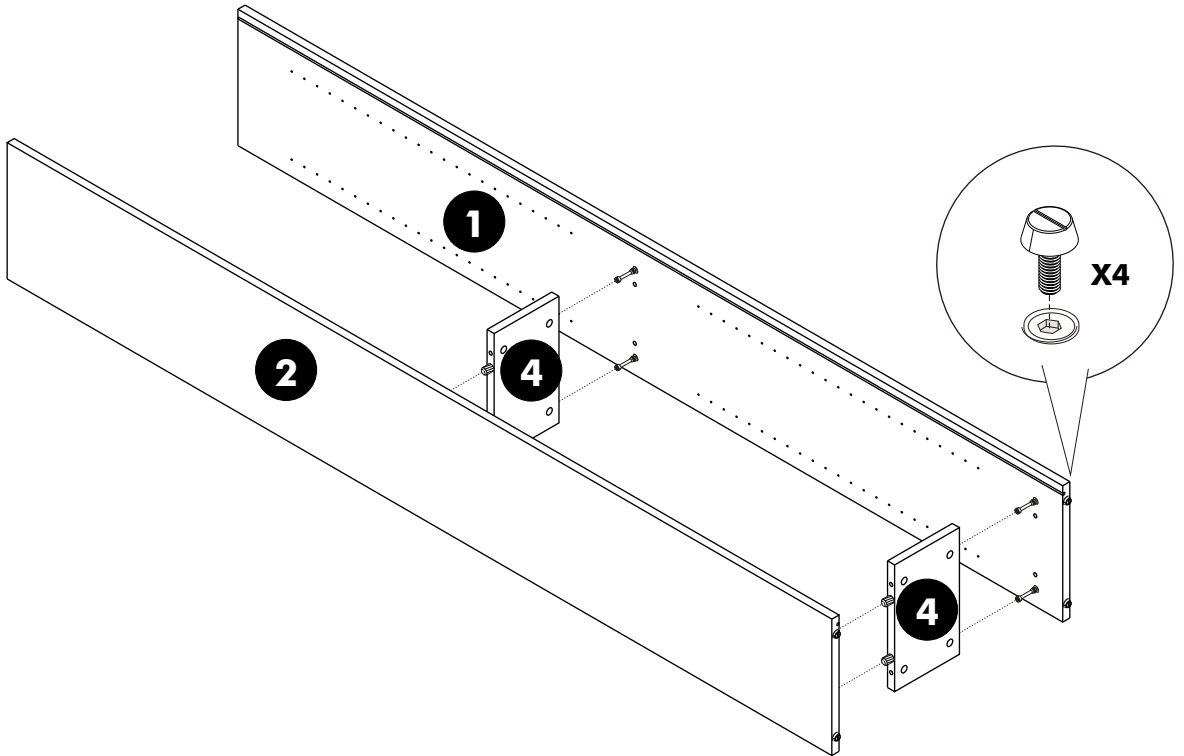
#F+M4x50

**X 4**

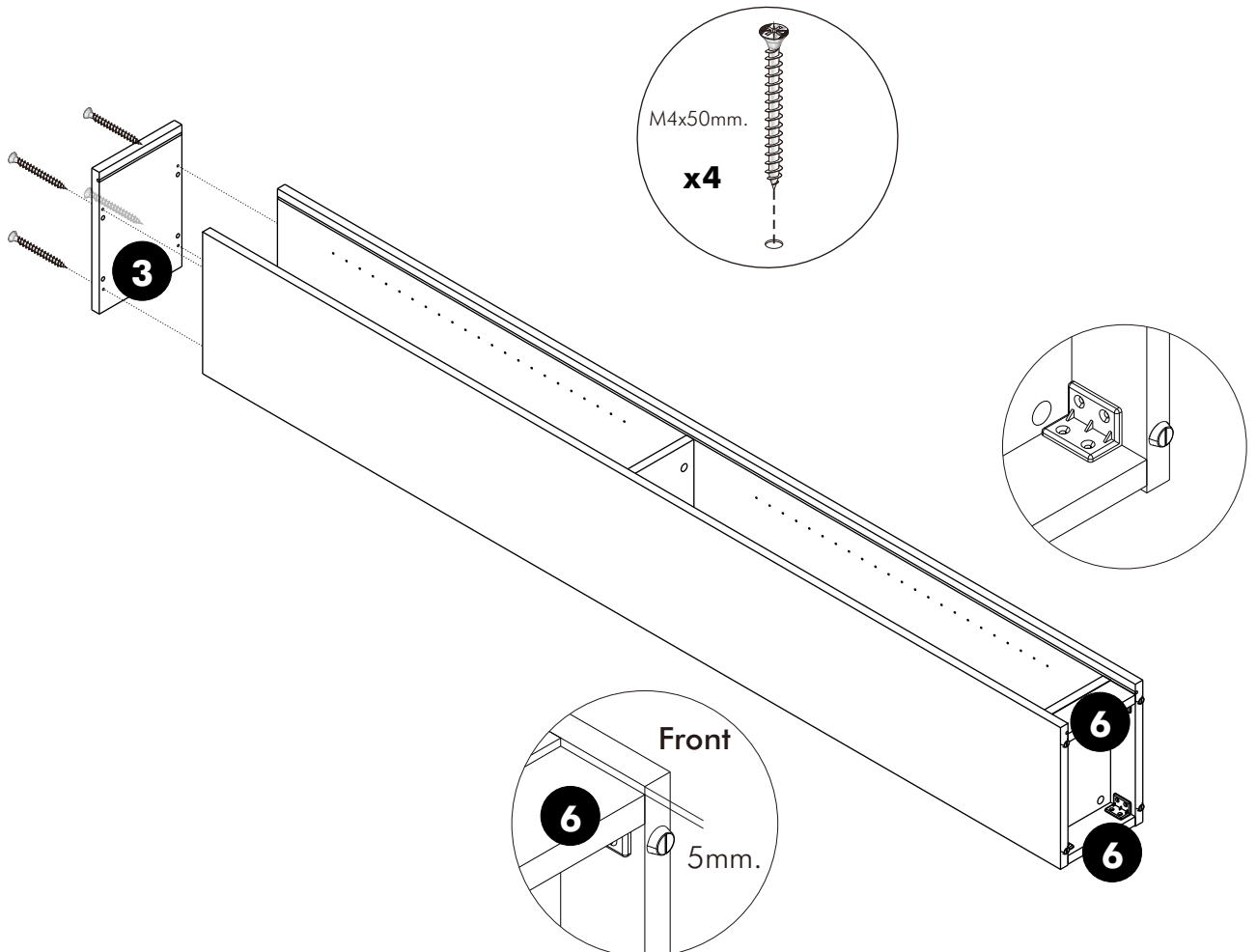
1.

**ASSEMBLY**

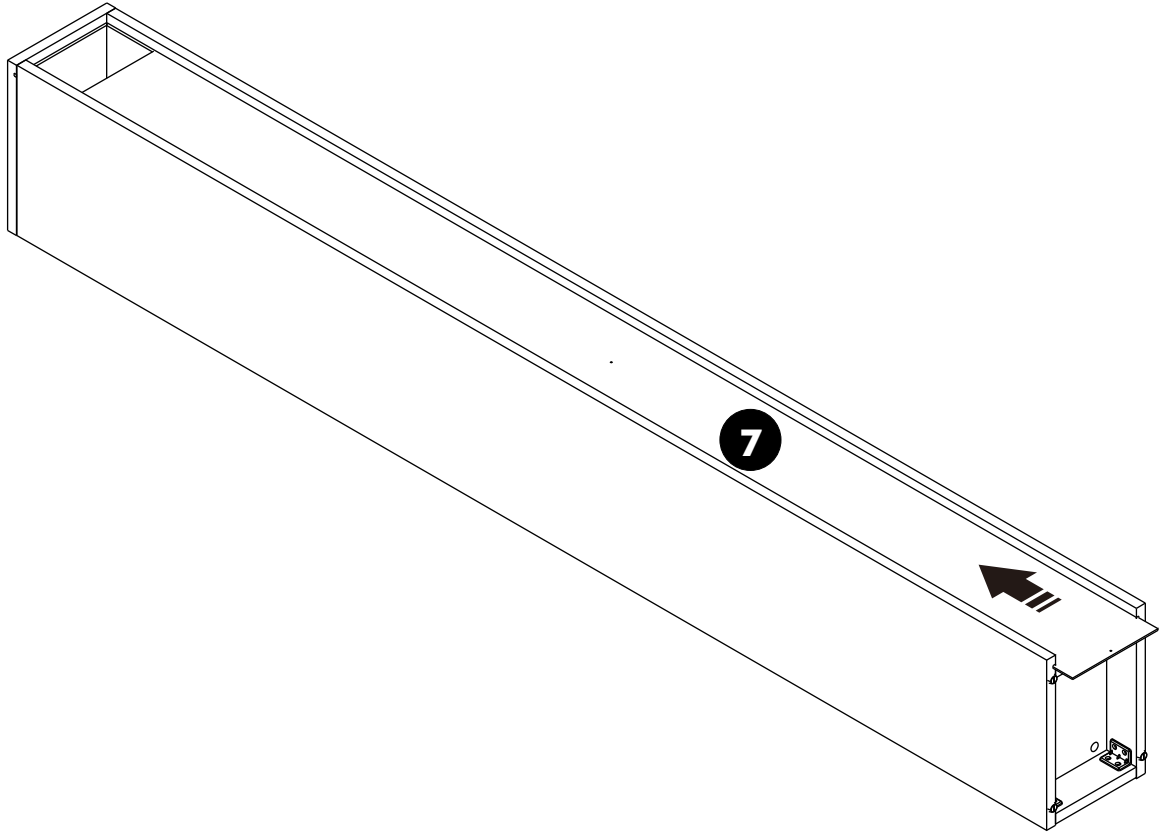
-BODY SET



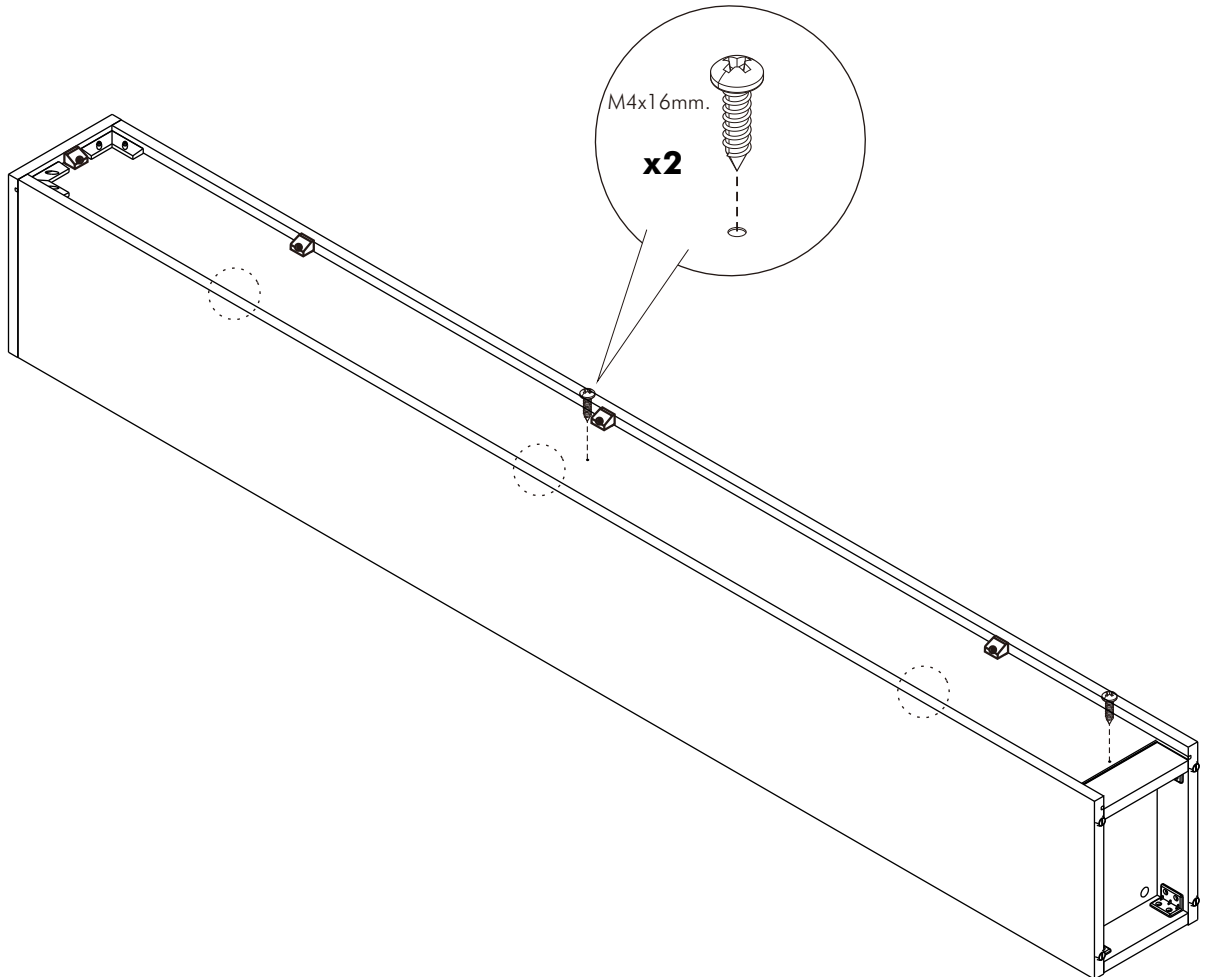
2.



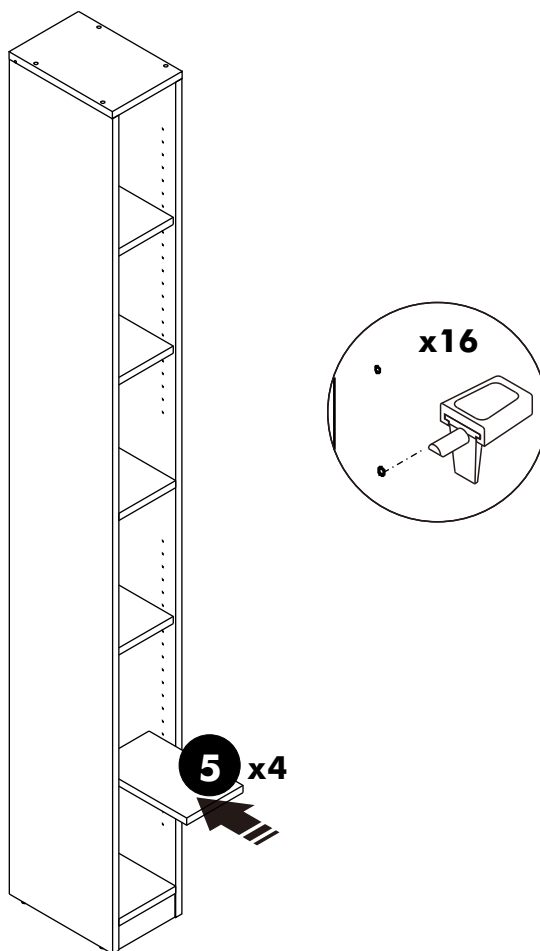
**3.**



**4.**



5.



6.

