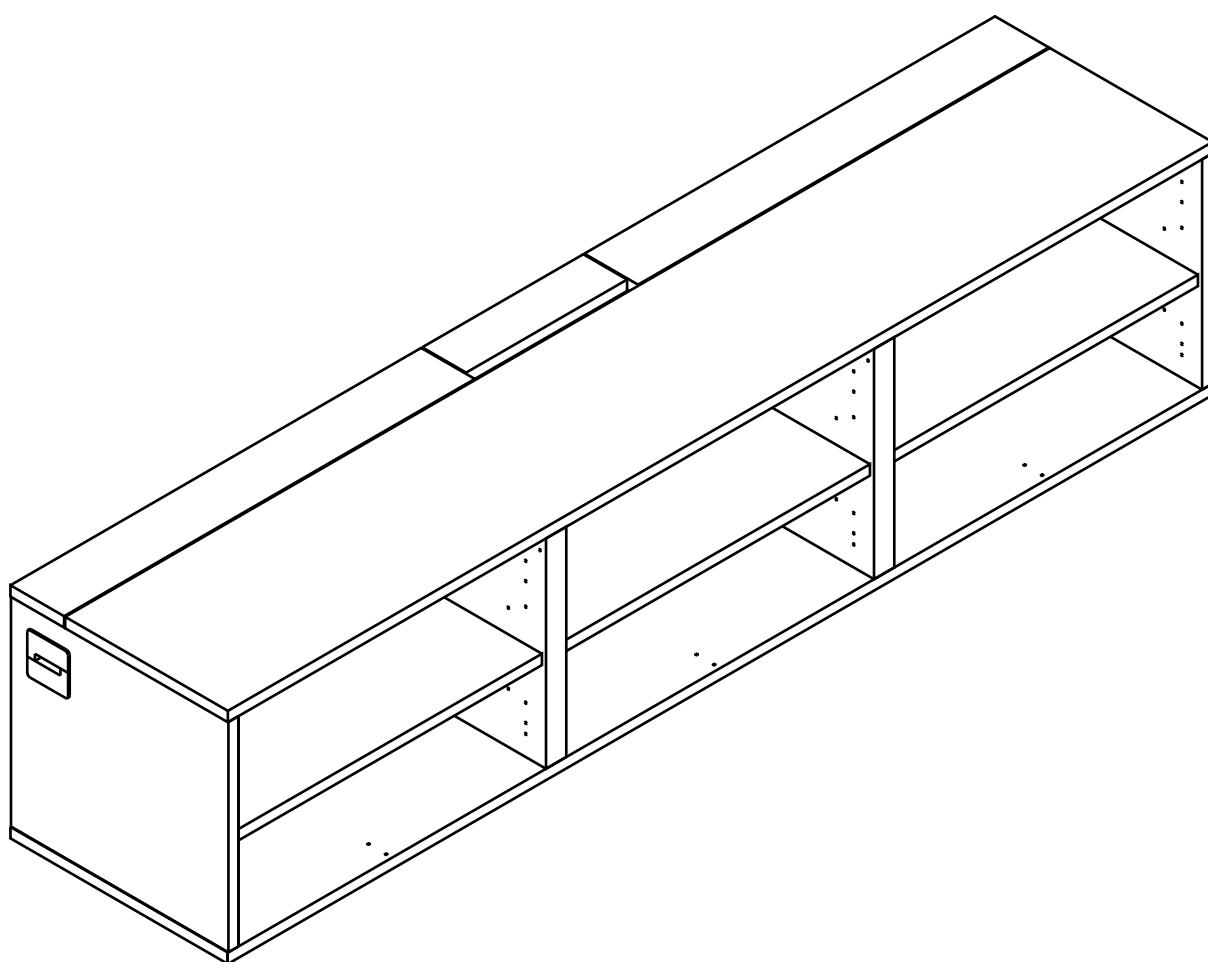
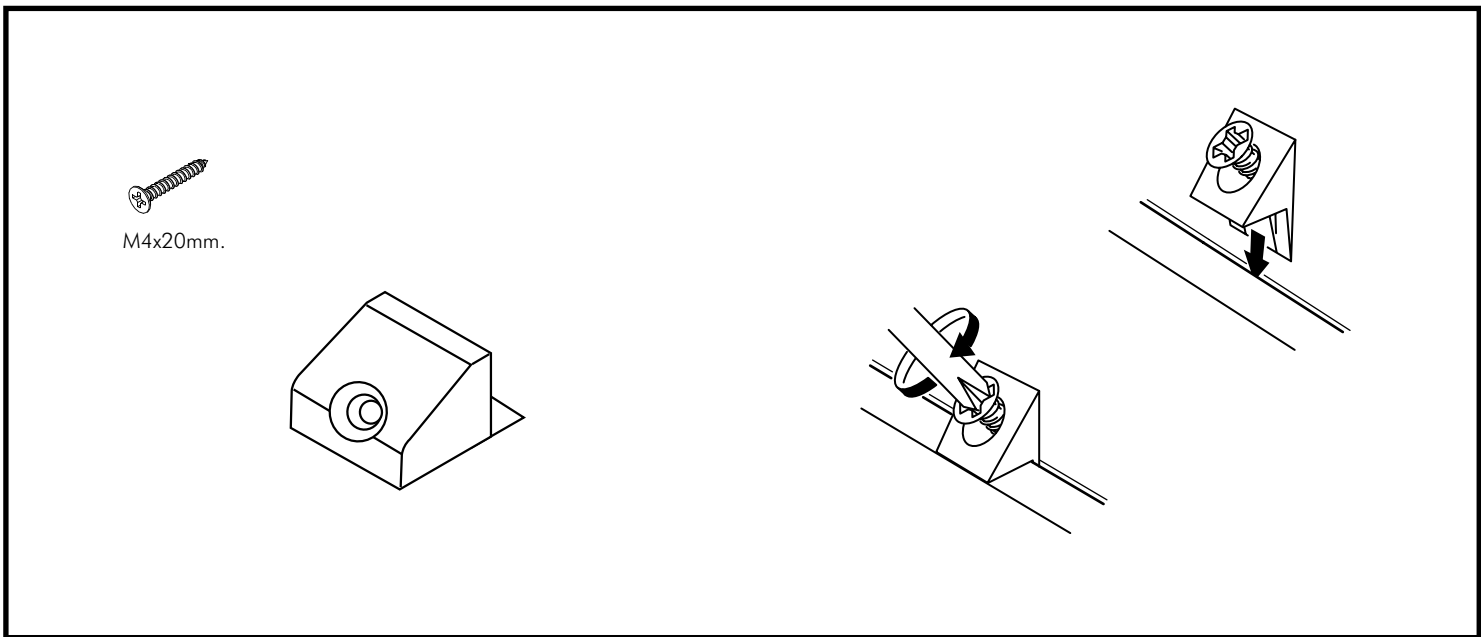
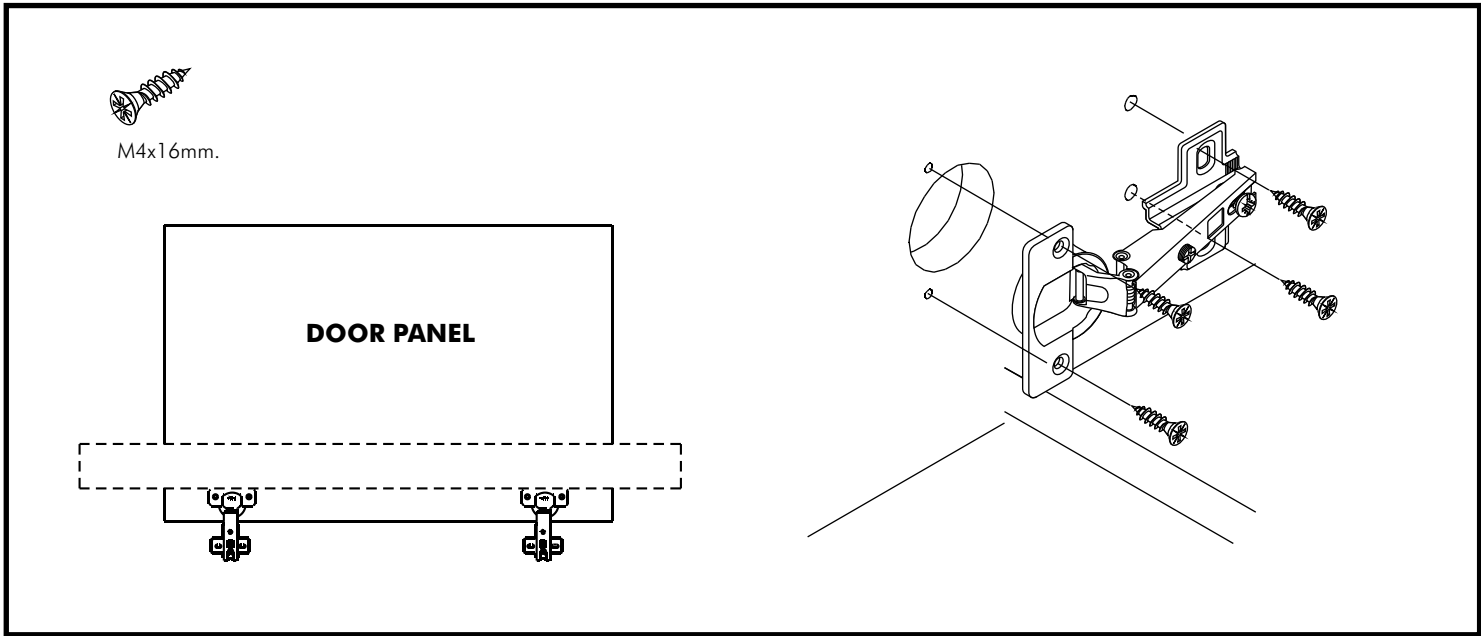


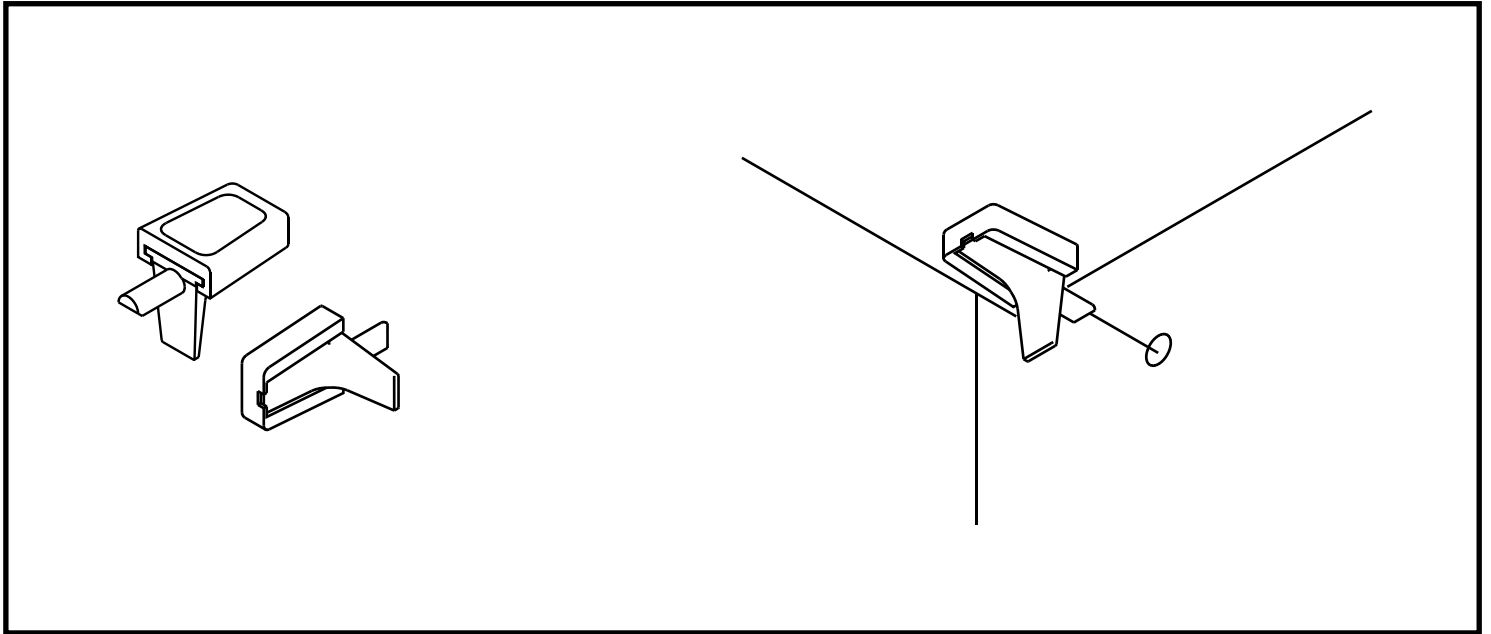
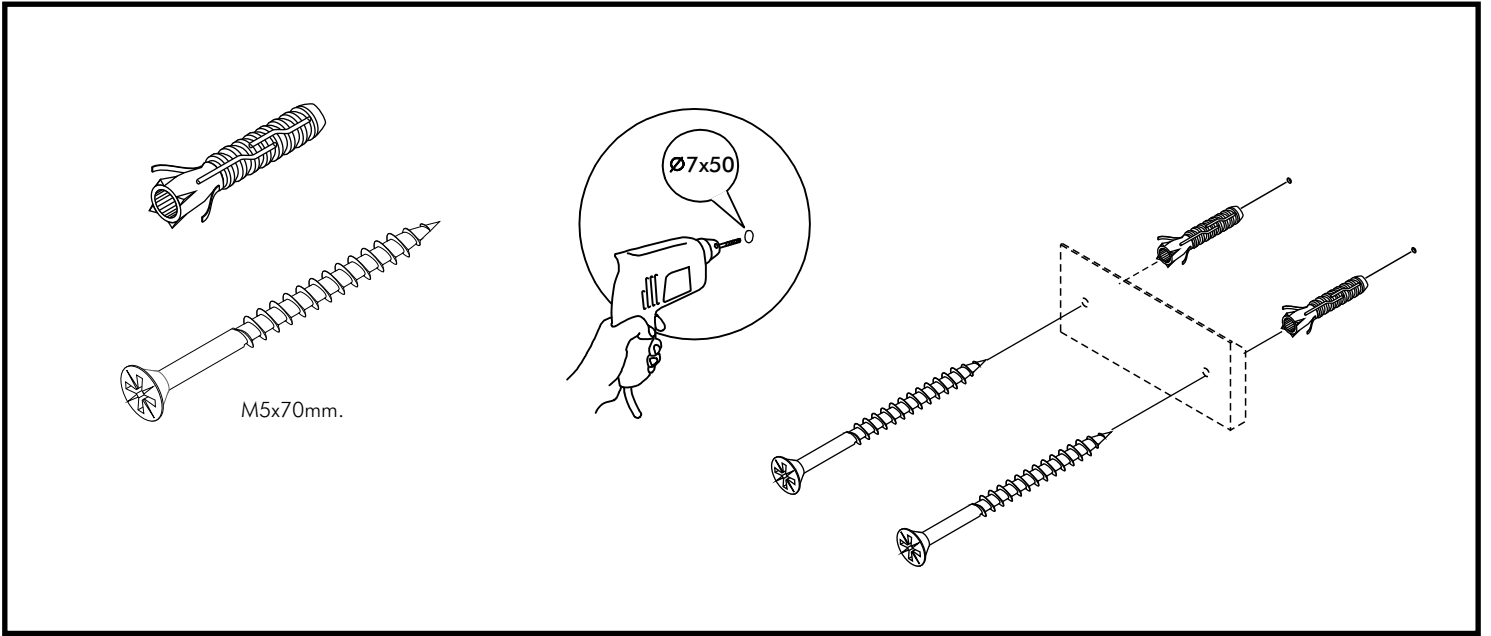
# EXTREME

**TV cabinet 180 cm.**



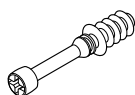
# CONNECT SYSTEM



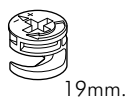


# HARDWARE

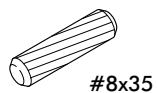
## -BODY SET



**x 16**



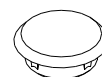
**x 16**



**x 30**



**x 12**



**x 4**



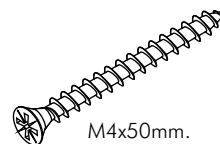
**x 8**



**x 8**



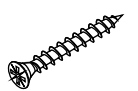
**x 8**



**x 10**

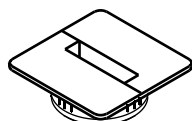


**x 1**

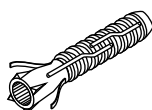


M4x30mm.

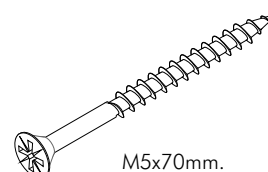
**x 2**



**x 2**



**x 2**



M5x70mm.

**x 2**



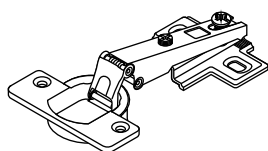
**x 2**



M4x16mm.

**x 4**

## -DOOR SET



**x 2**



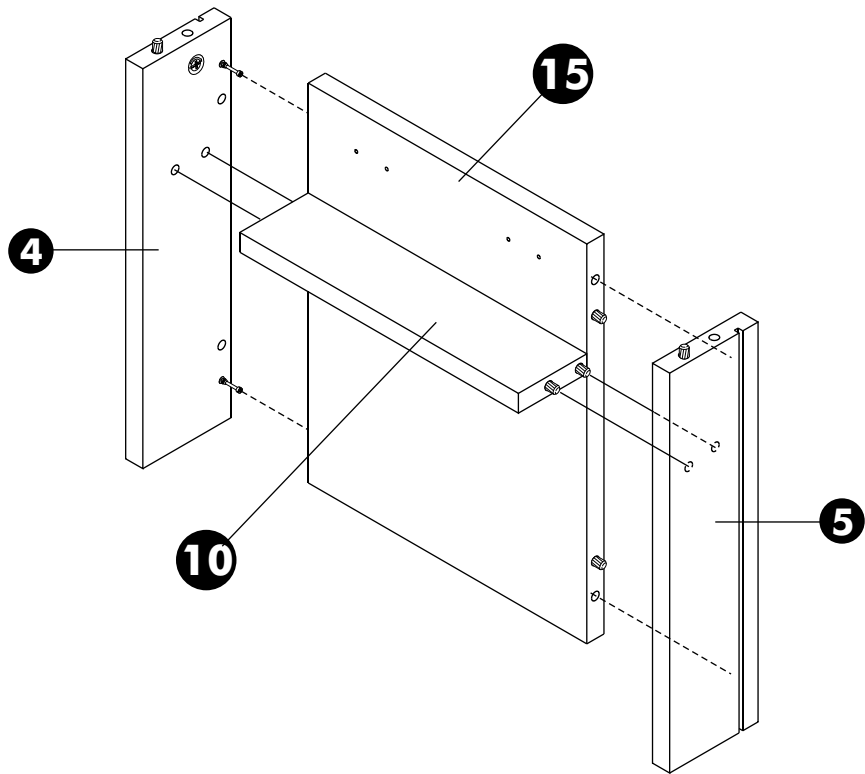
M4x16mm.

**x 8**

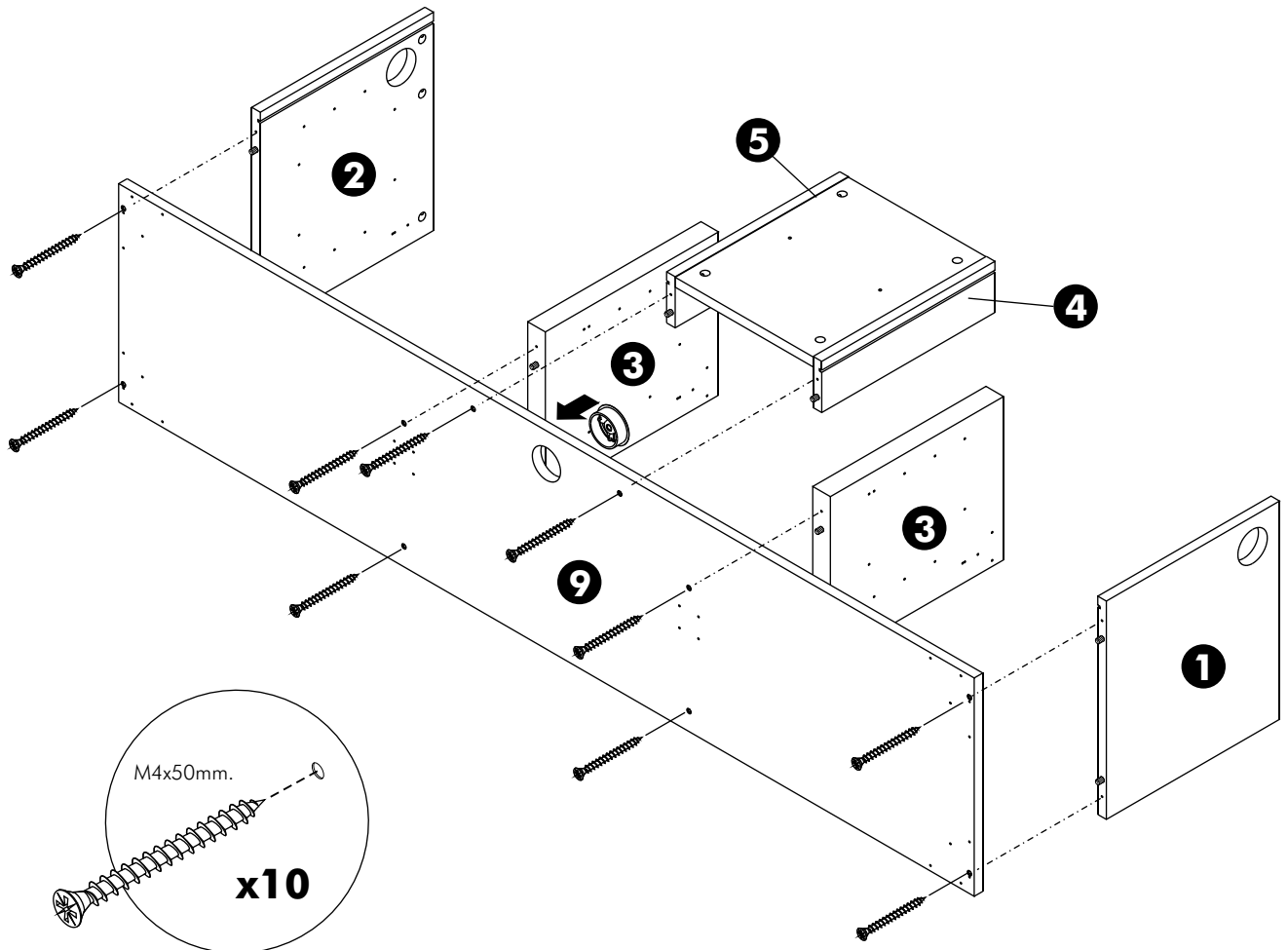
# ASSEMBLY

-BODY SET

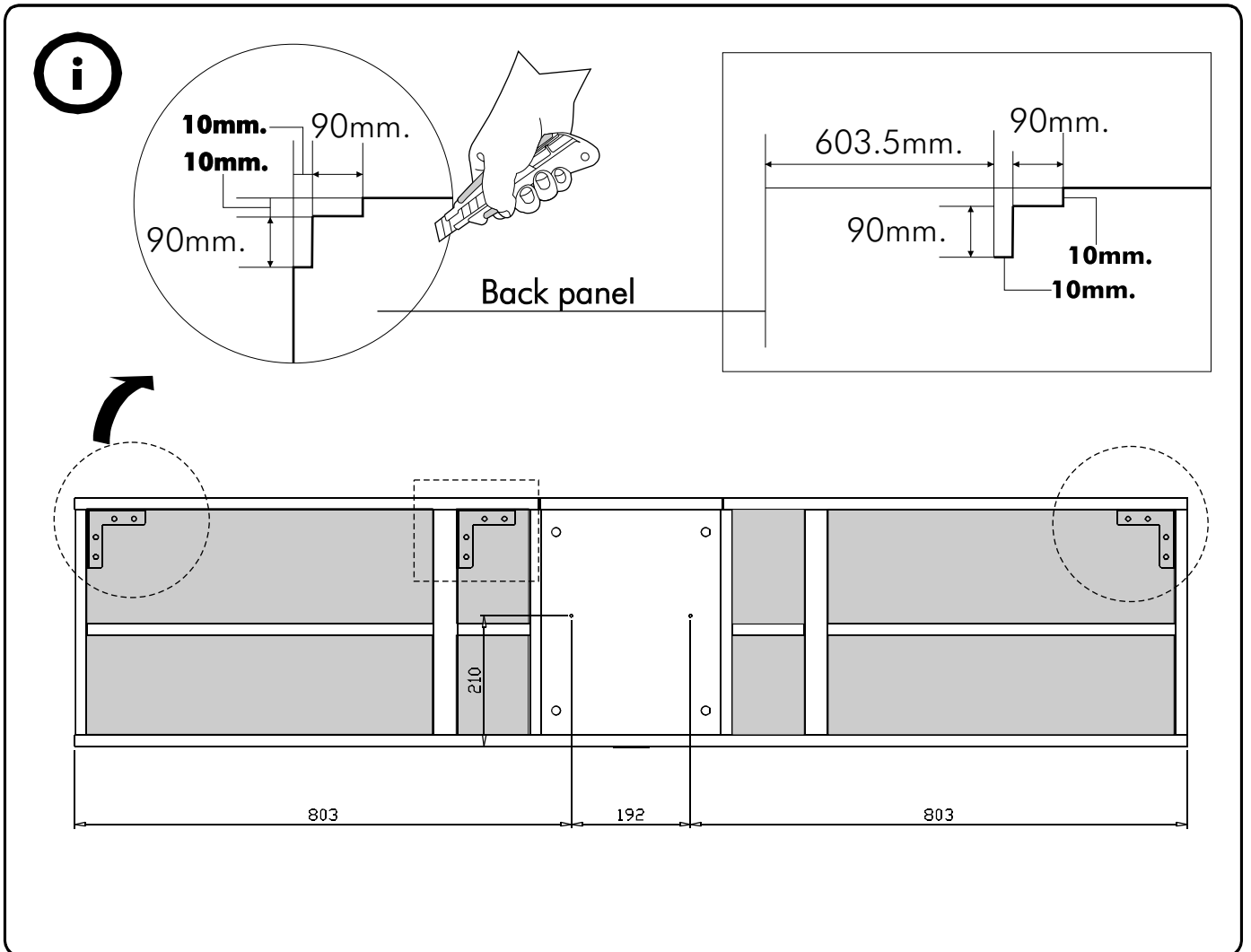
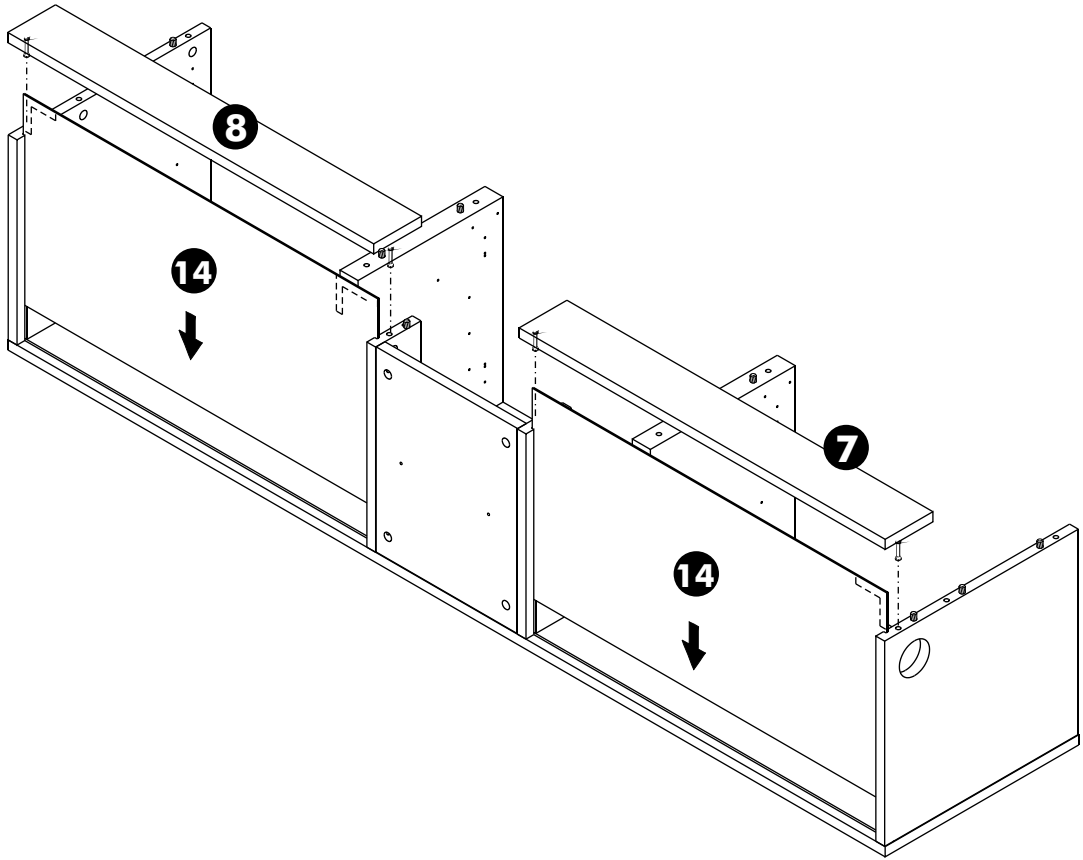
**1.**



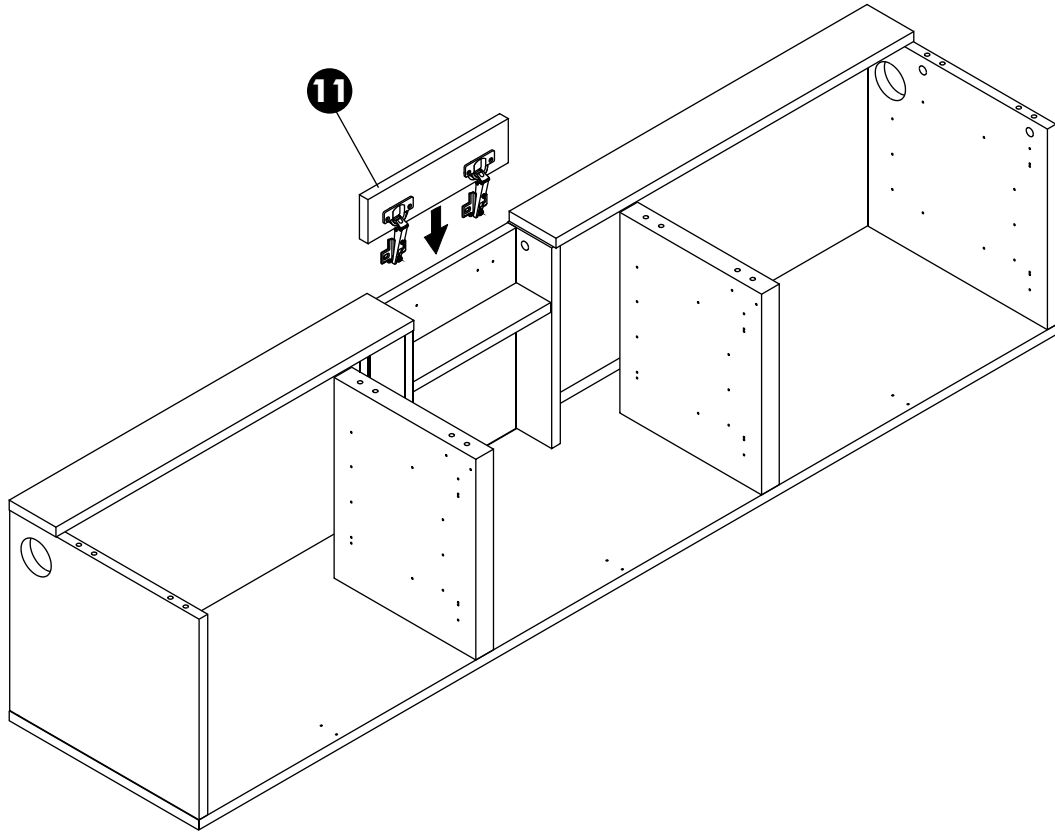
**2.**



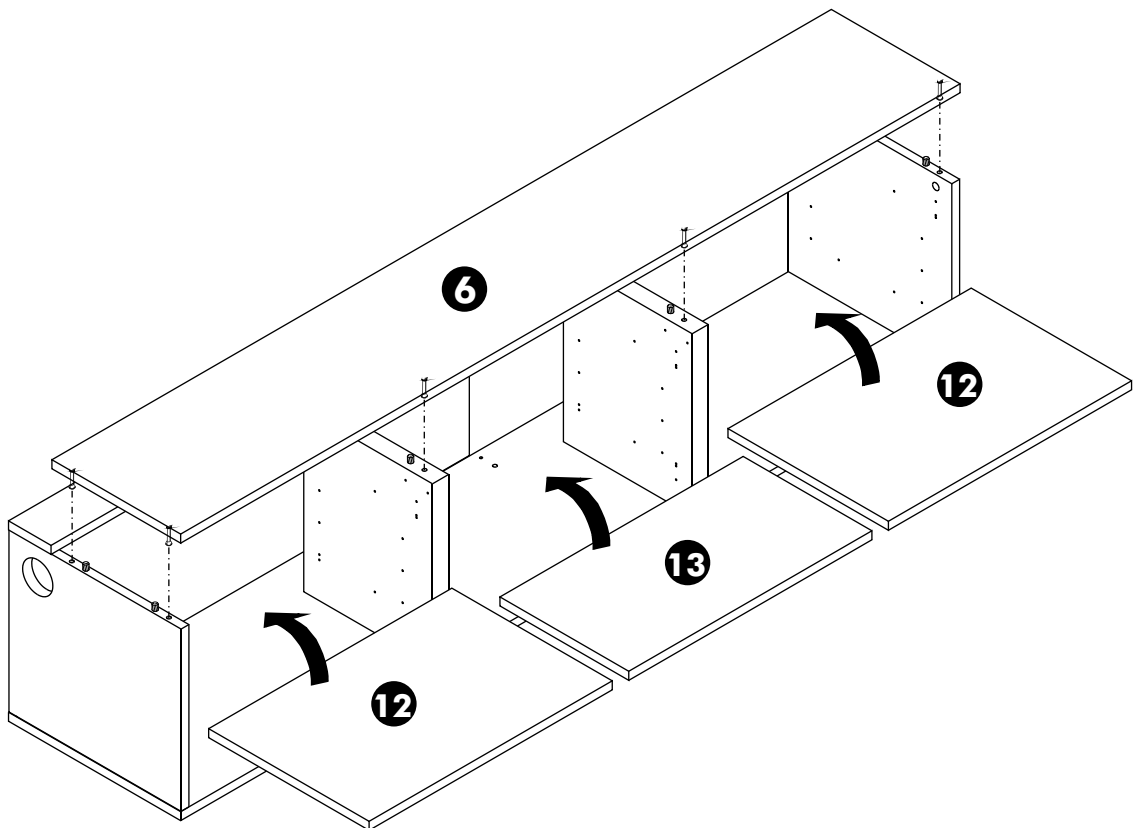
**3.**



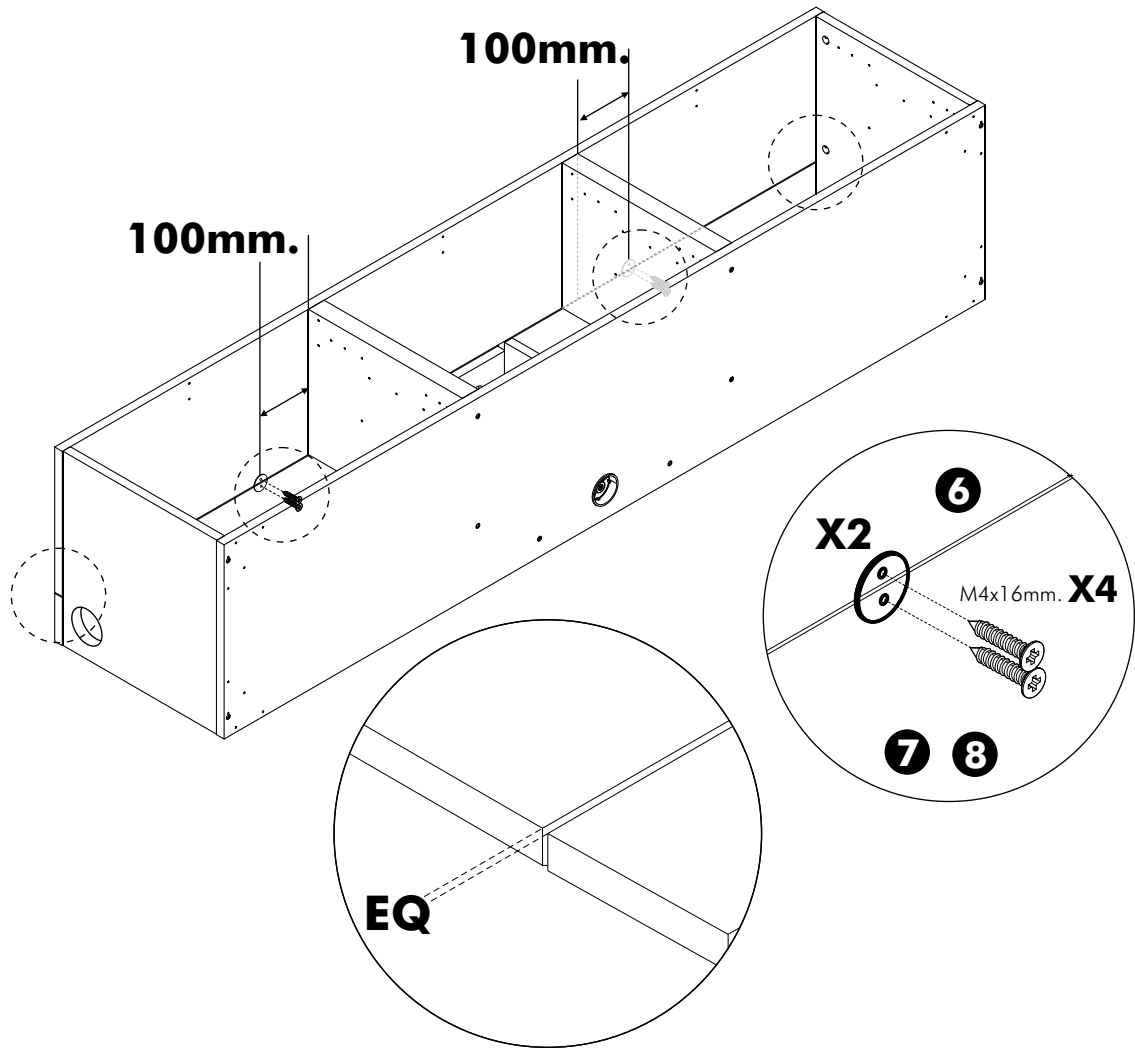
**4.**



**5.**



**6.**



**7.**

