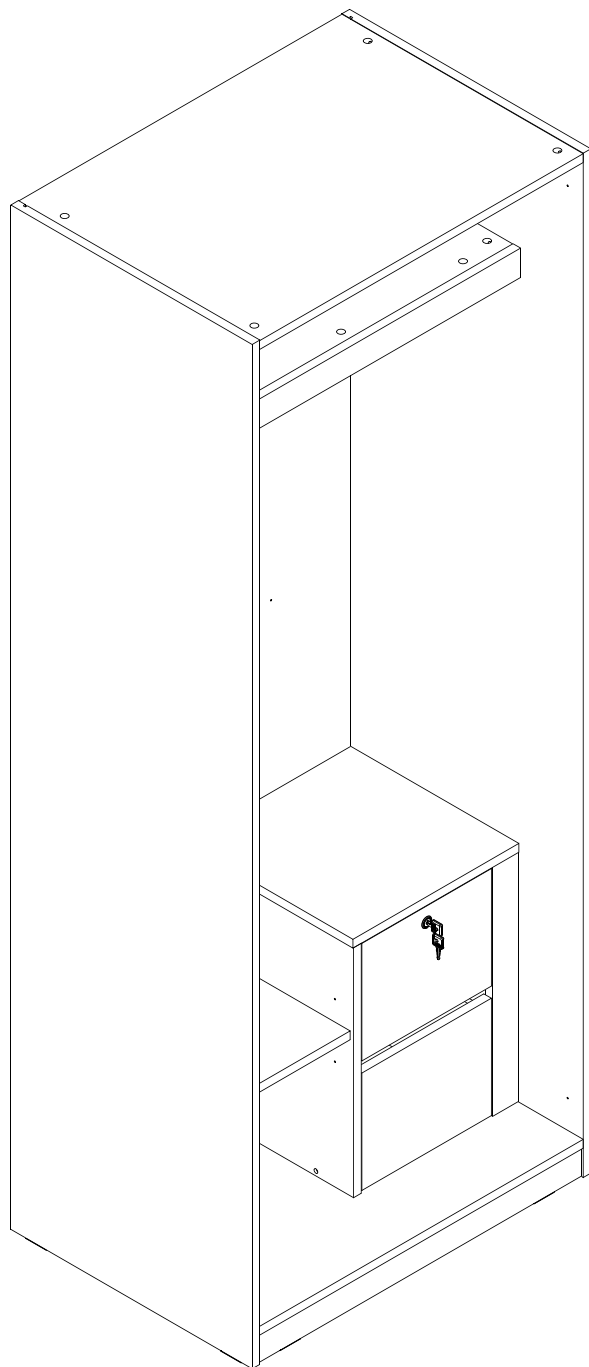
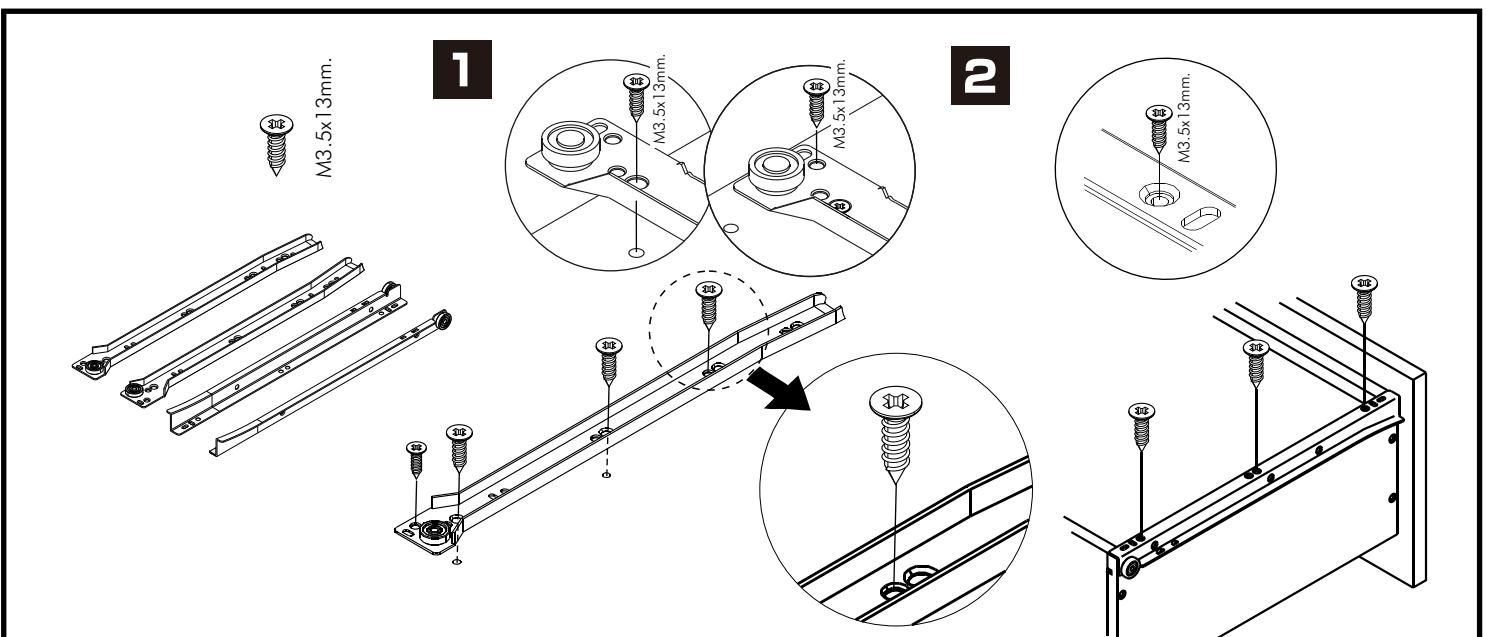
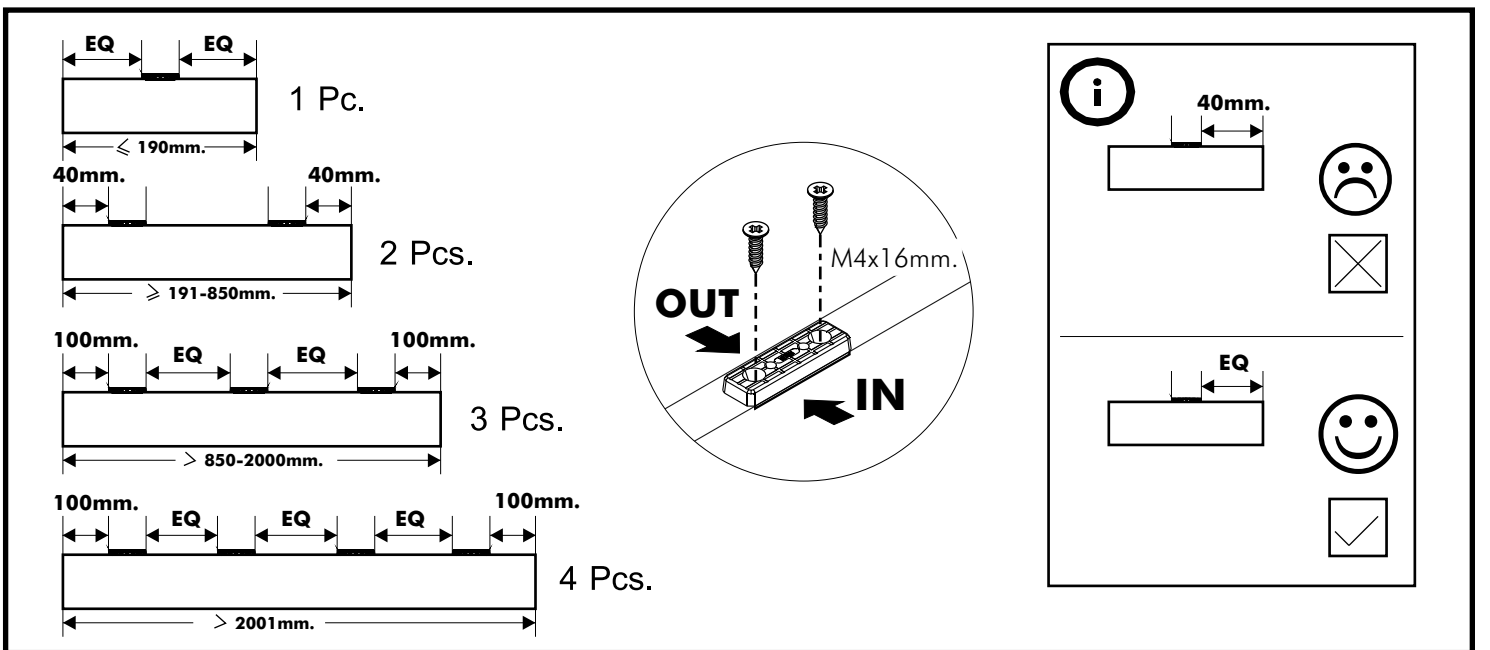


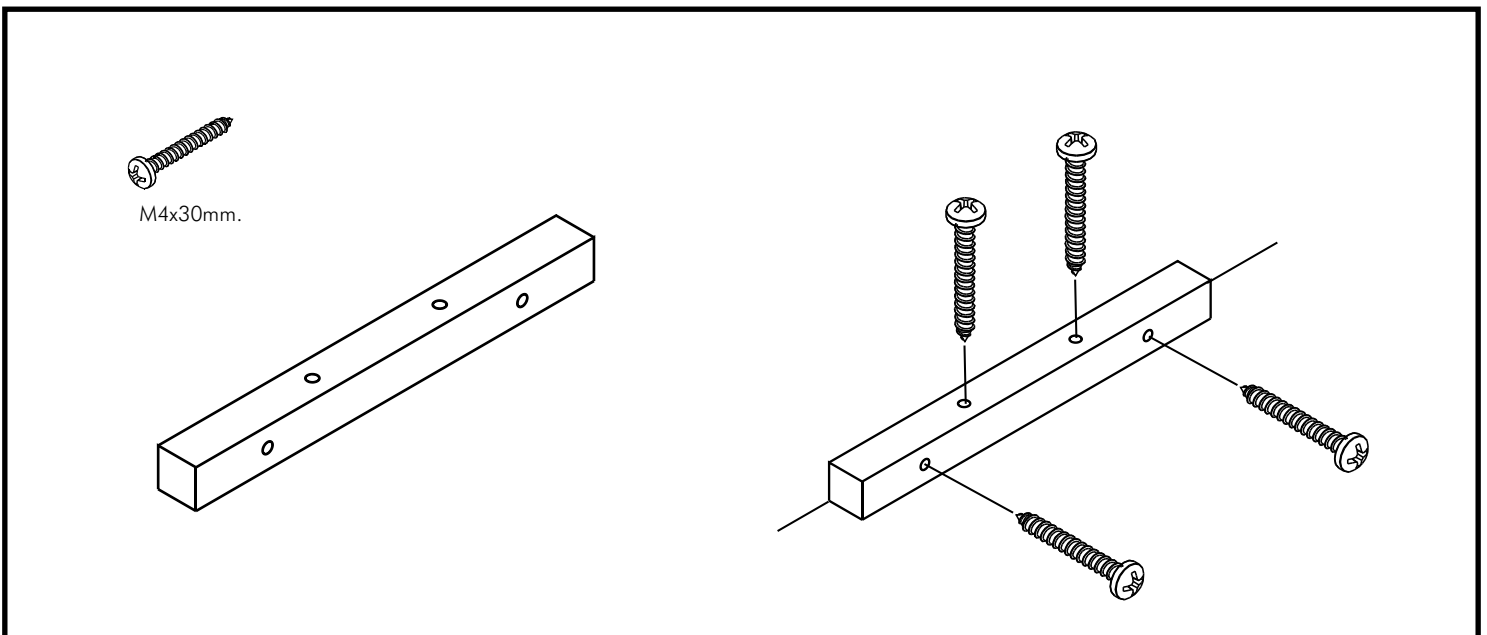
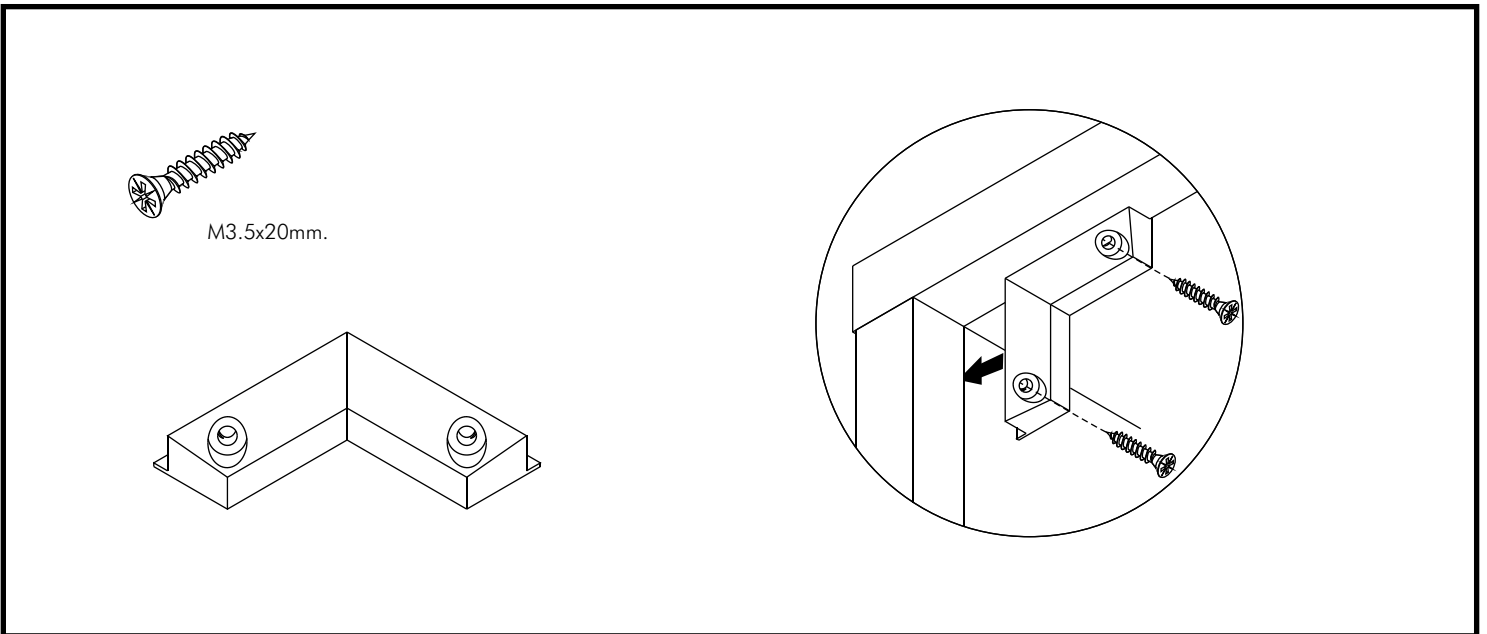
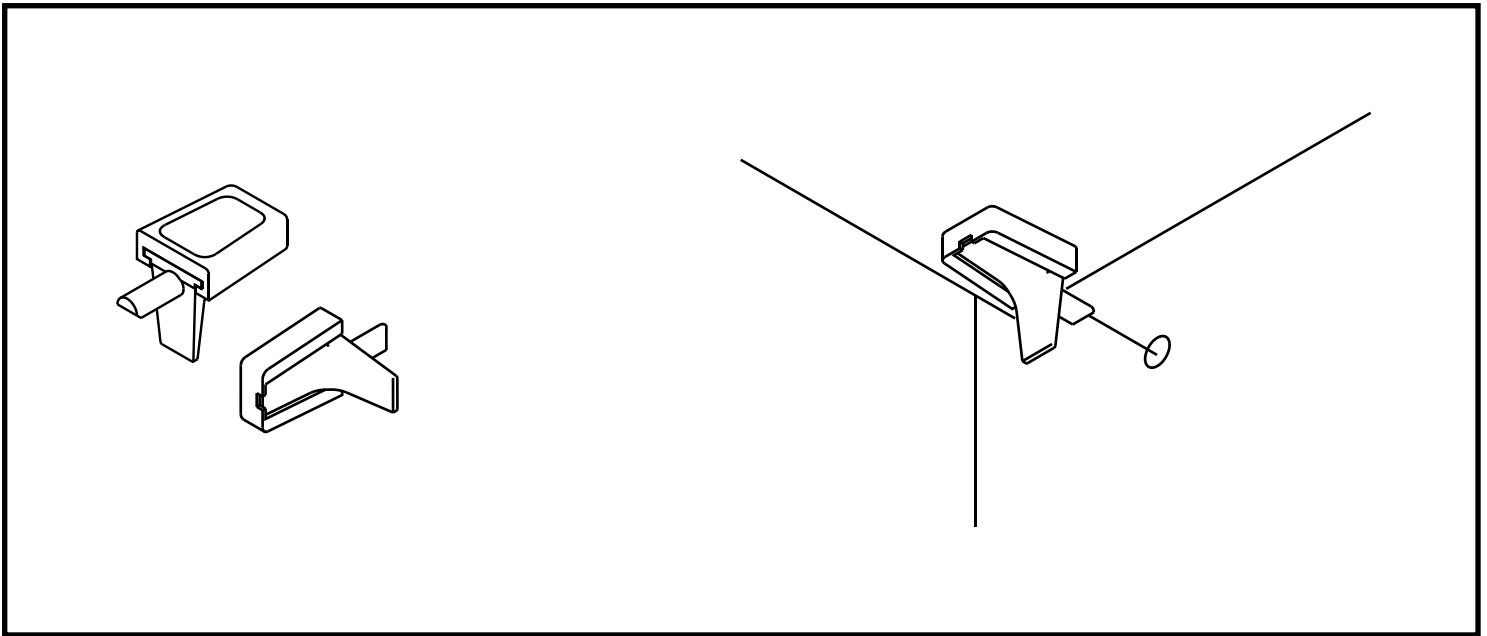
EXTREME

Wardrobe frame 2 doors.

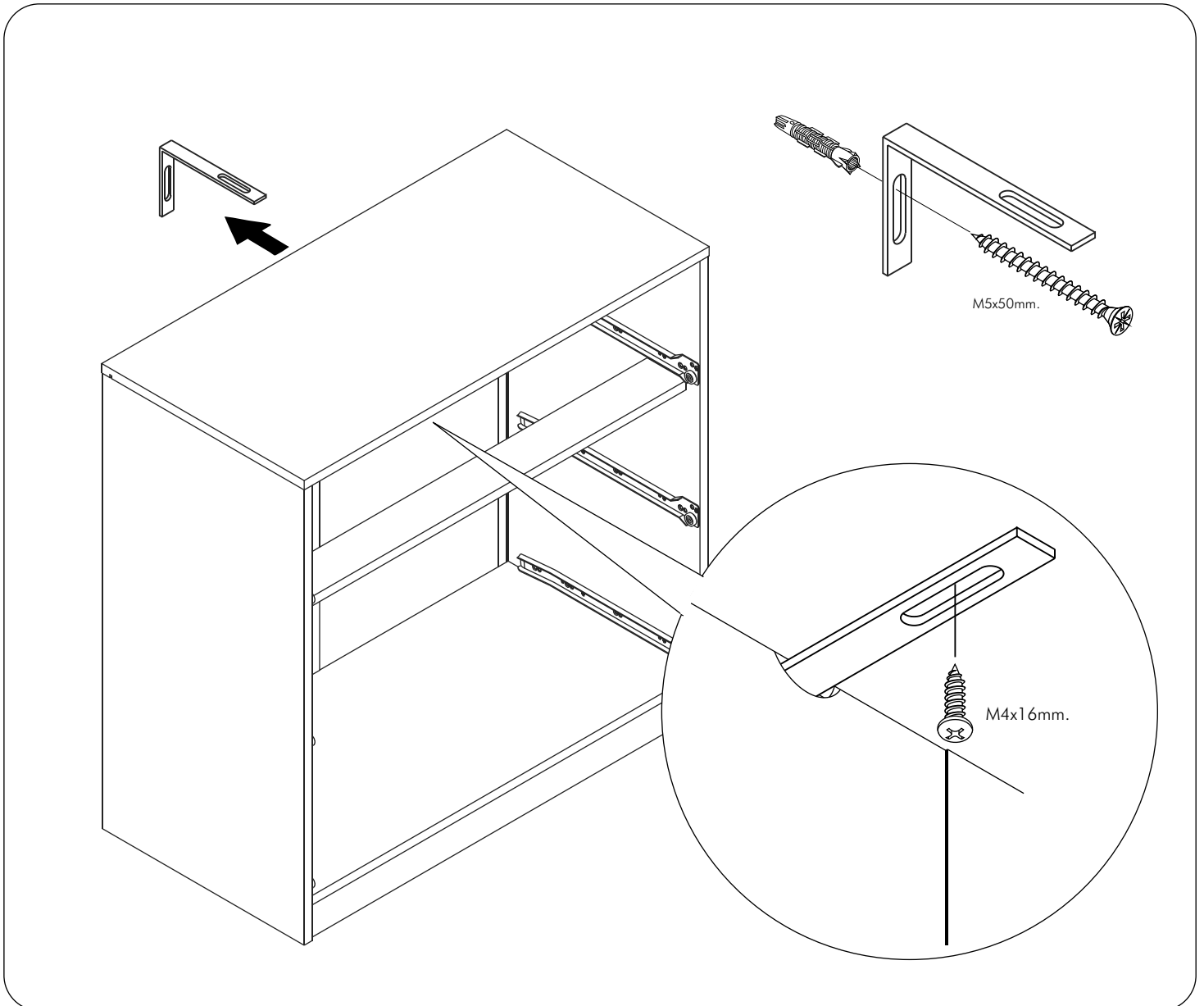
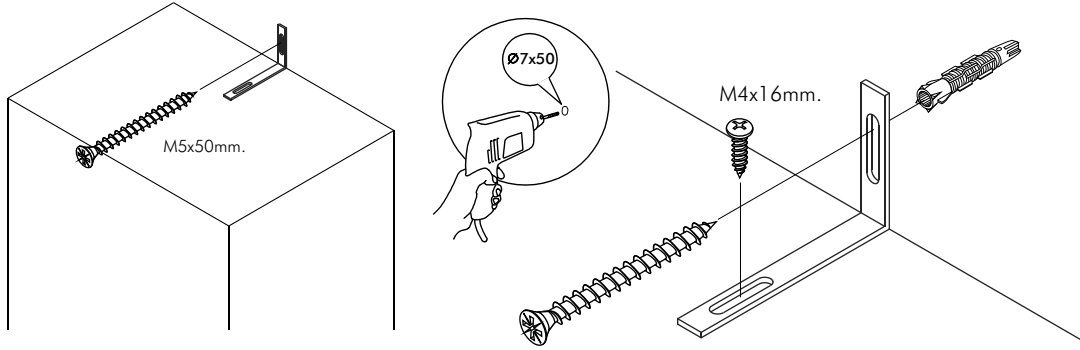
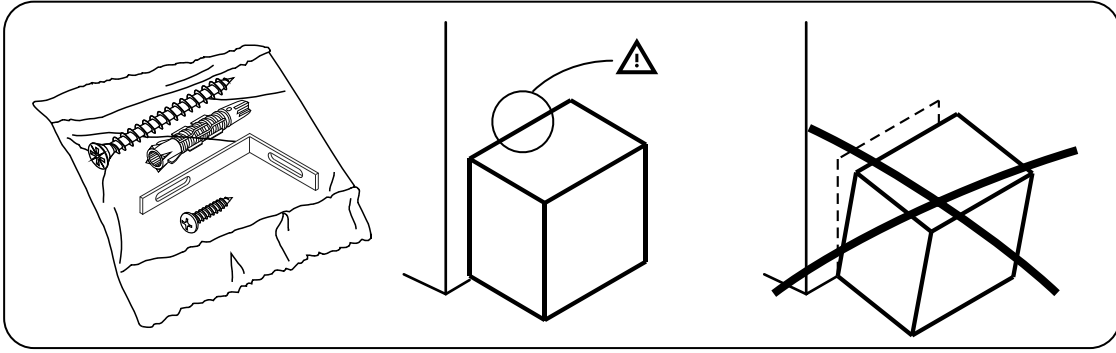


CONNECT SYSTEM



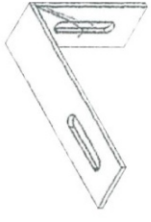


x2

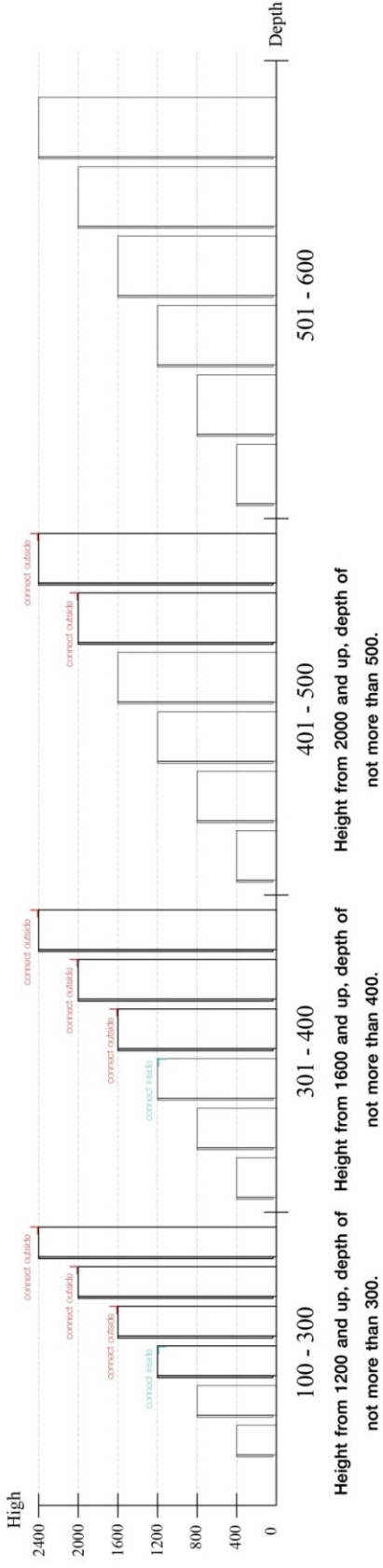


The Standard for identifying which mounted safety fall protection fitting to use **Note : That children's products must be installed with all anti-falling fittings.**

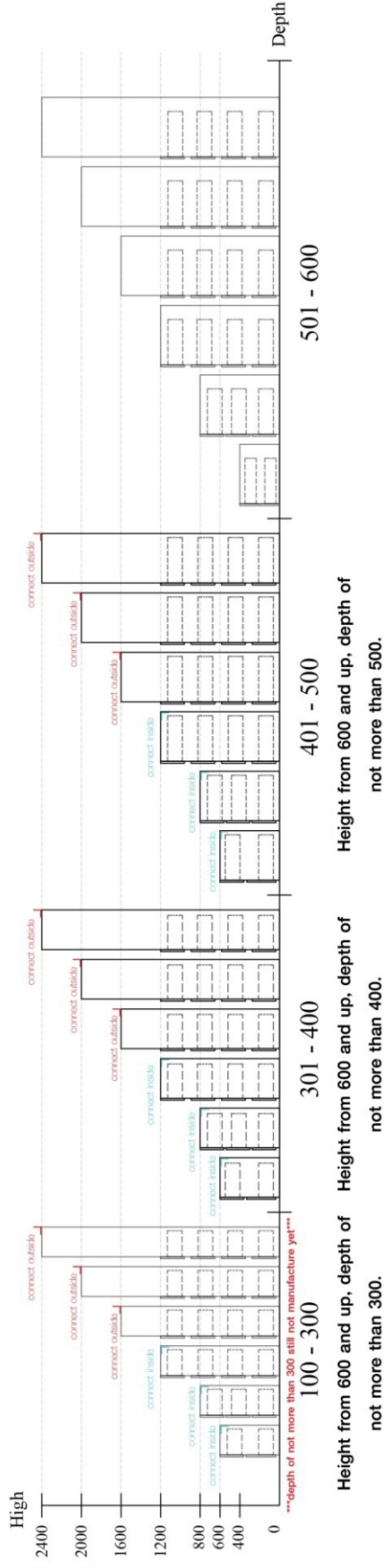
■ Mounted fall protection fittings



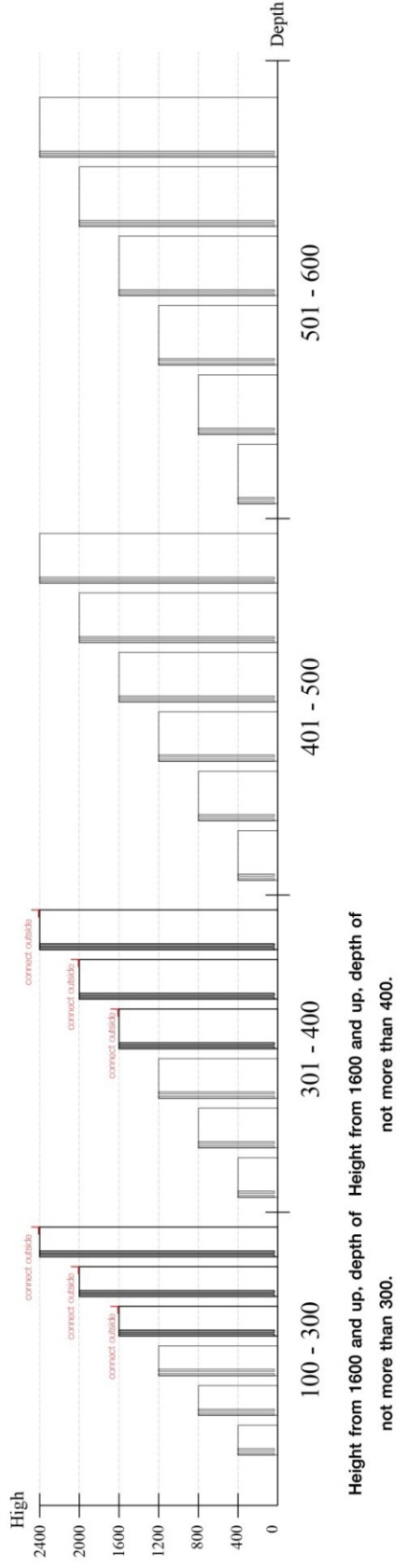
■ Category : Cabinet with open doors



■ Category : Chest of drawers

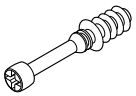


■ Category : Sliding door cabinet / Open cabinet



HARDWARE

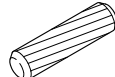
-BODY SET



x 19



x 19



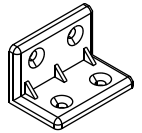
8x35mm.

x 28

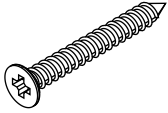


Ø11mm.

x 2



x 4

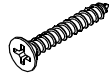


M4x40mm.

x 6



x 2



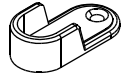
M4x25mm.

x 6



M4x16mm.

x 32



x 2



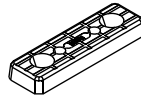
M3.5x13mm.

x 4



M4x16mm.

x 23



x 8

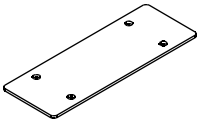


x 4

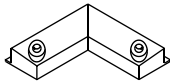


M4x30mm.

x 36



x 2

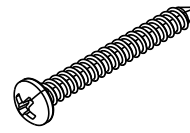


x 2



M3.5x20mm.

x 4

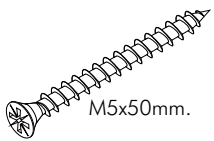


M4x45mm.

x 2

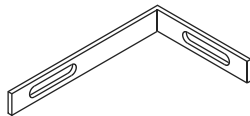


x 2



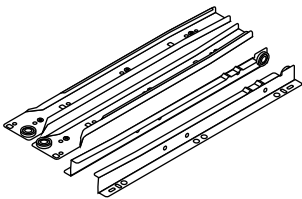
M5x50mm.

x 2



x 2

-DRAWER SET

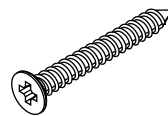


x 2



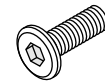
M3.5x13mm.

x 28



M4x40mm.

x 16



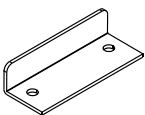
TFL4 M6x23

x 4

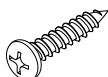


#M4

x 1

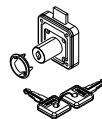


x 1



M4x1/2"

x 2



x 1



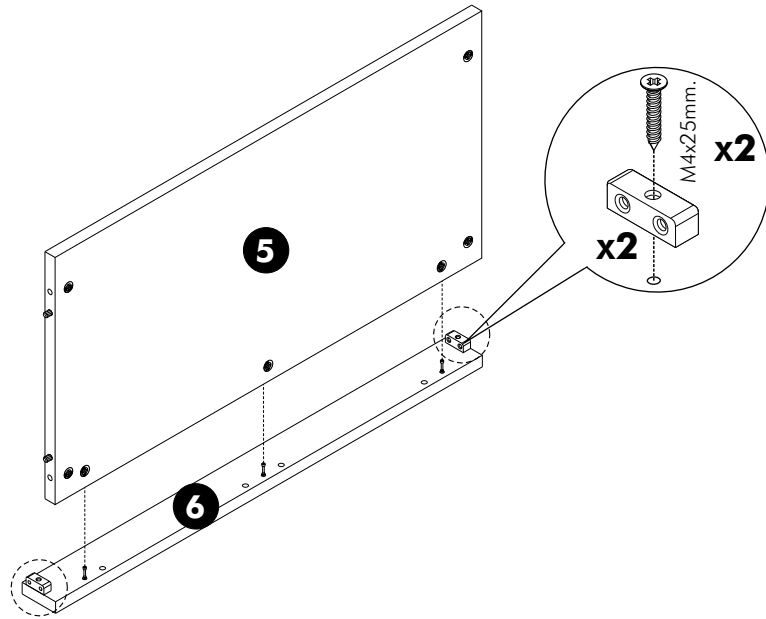
5x3/4"

x 4

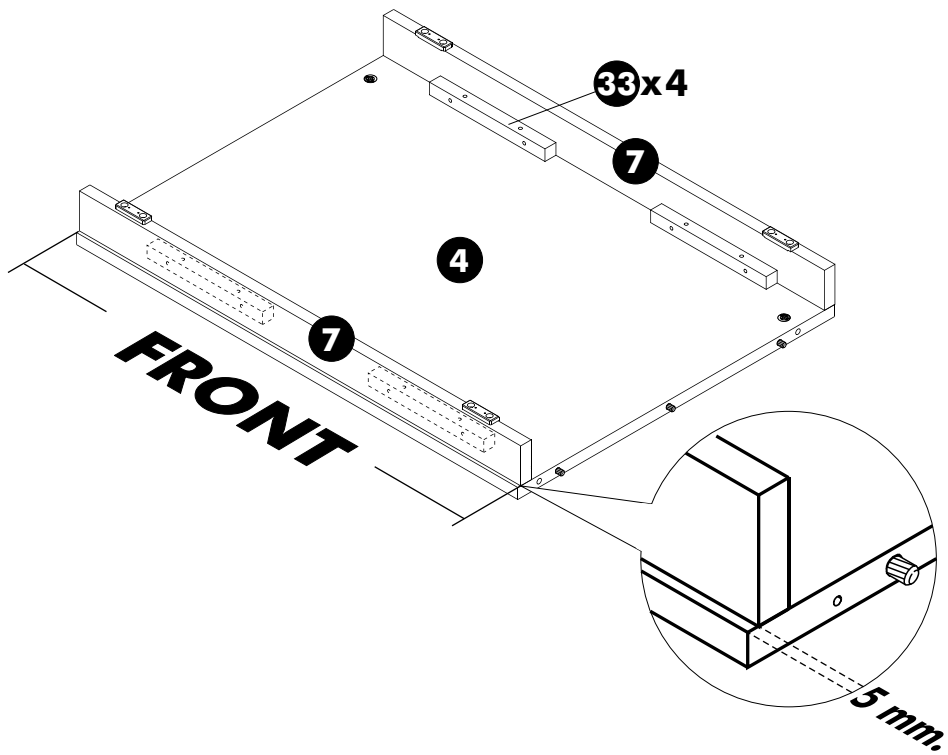
ASSEMBLY

-BODY SET

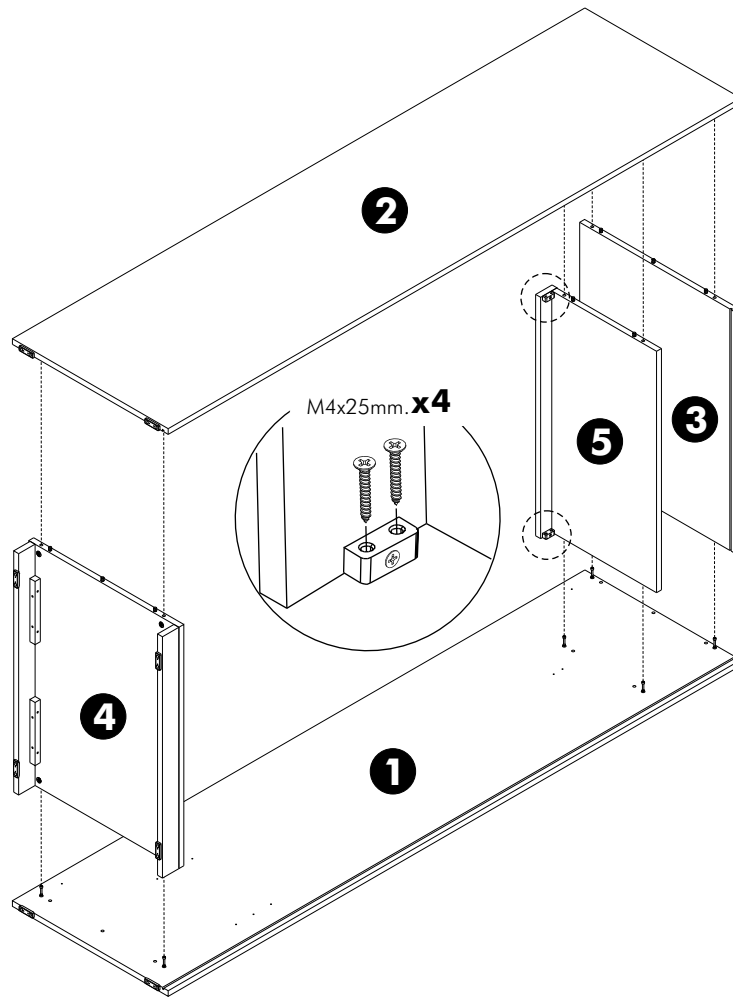
1.



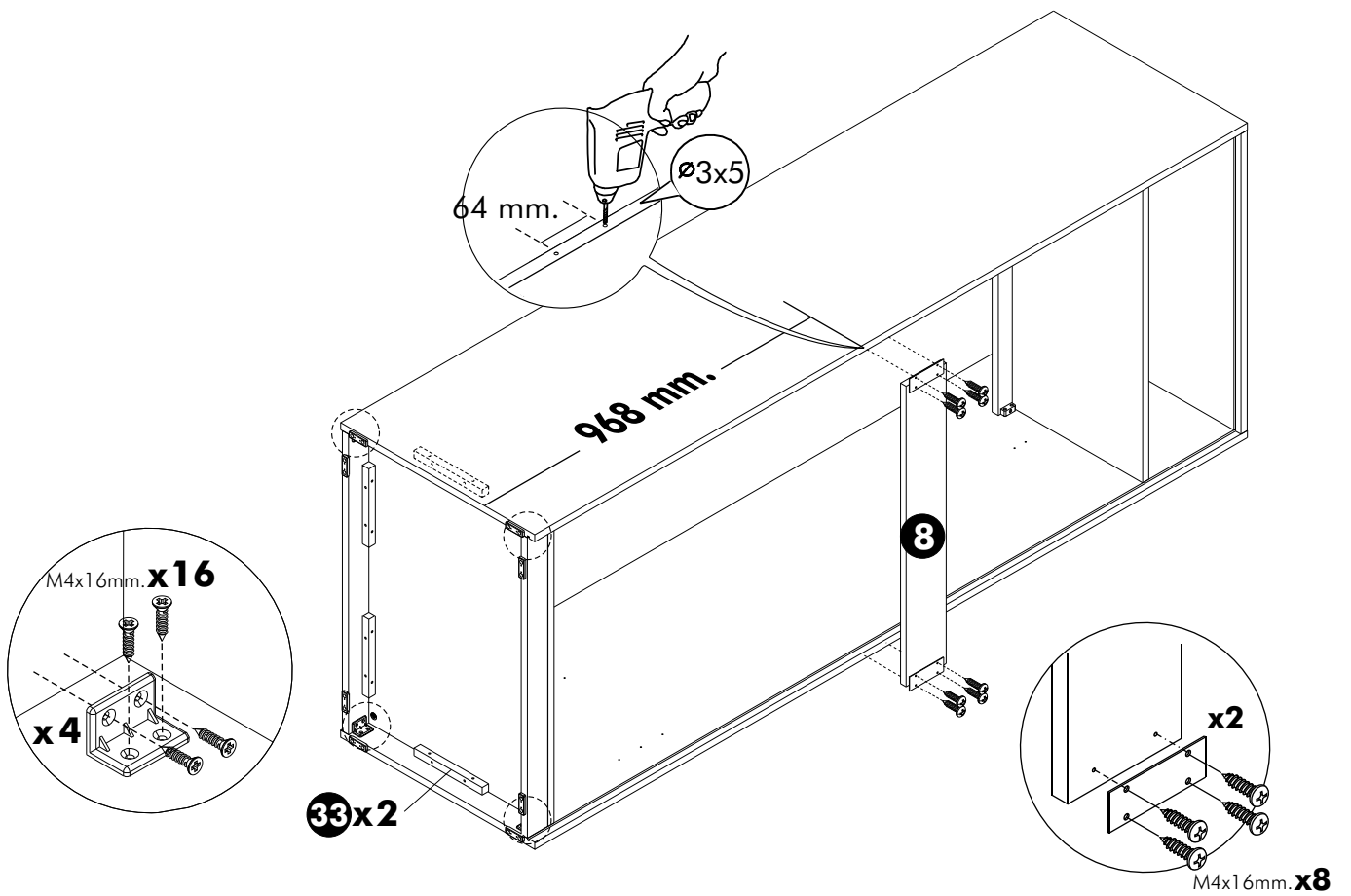
2.



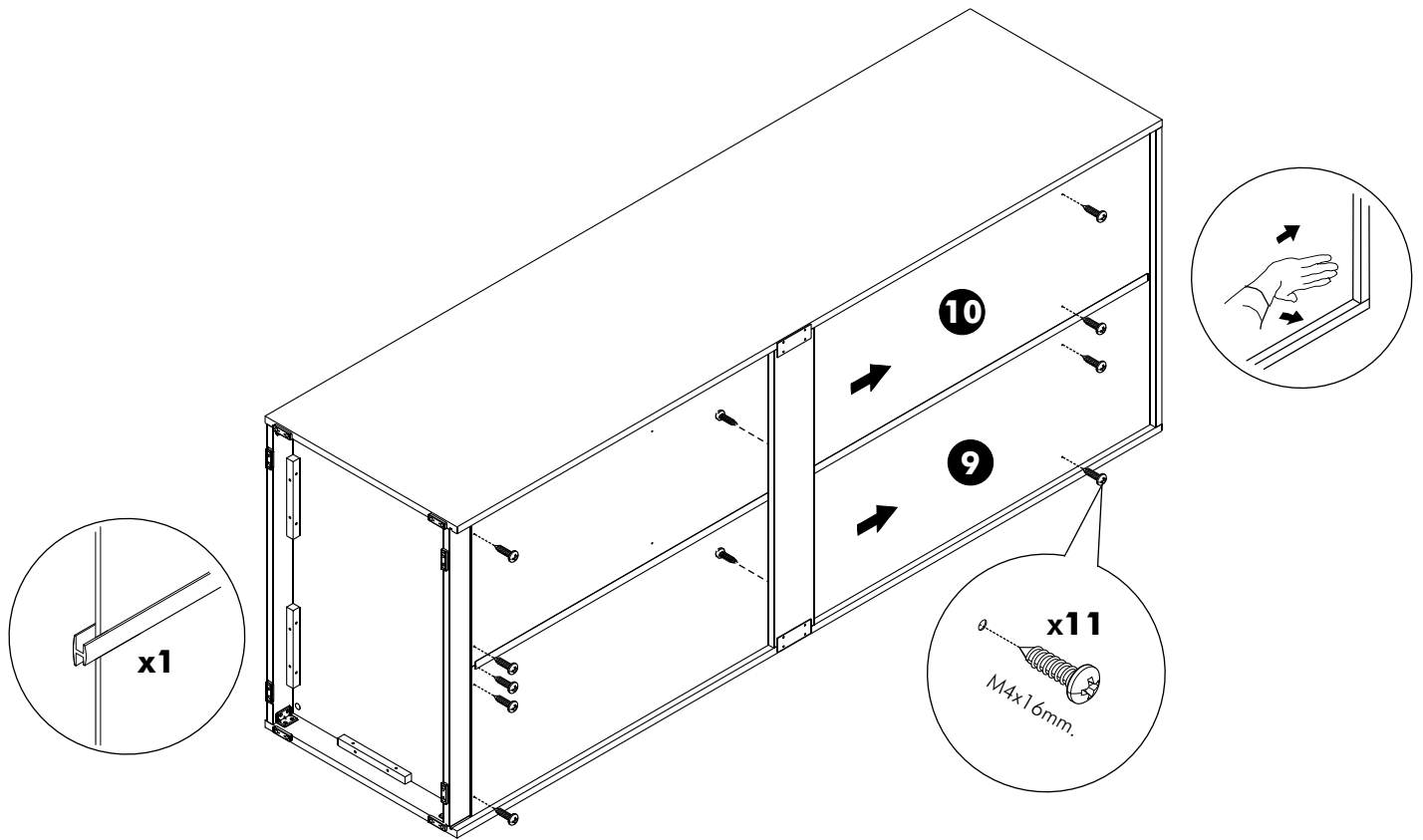
3.



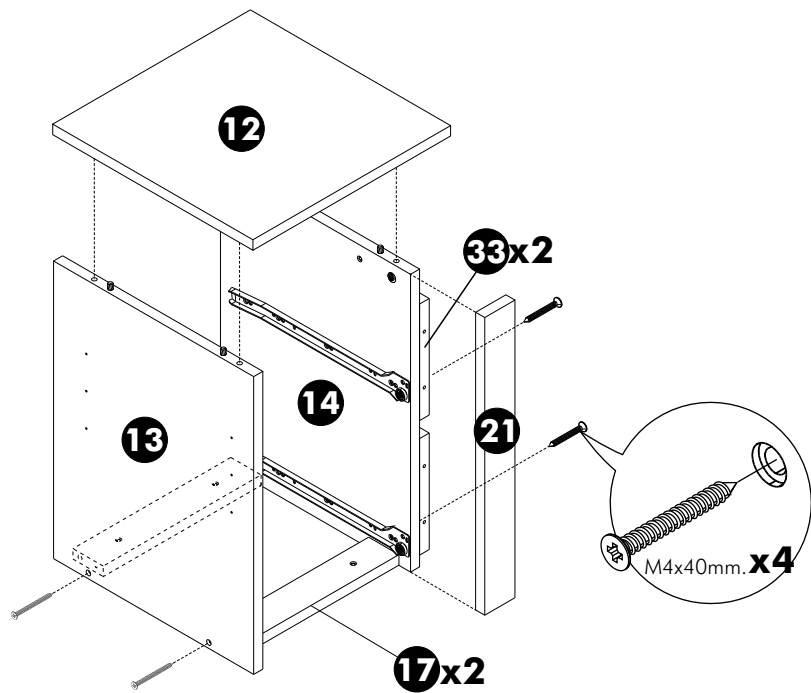
4.



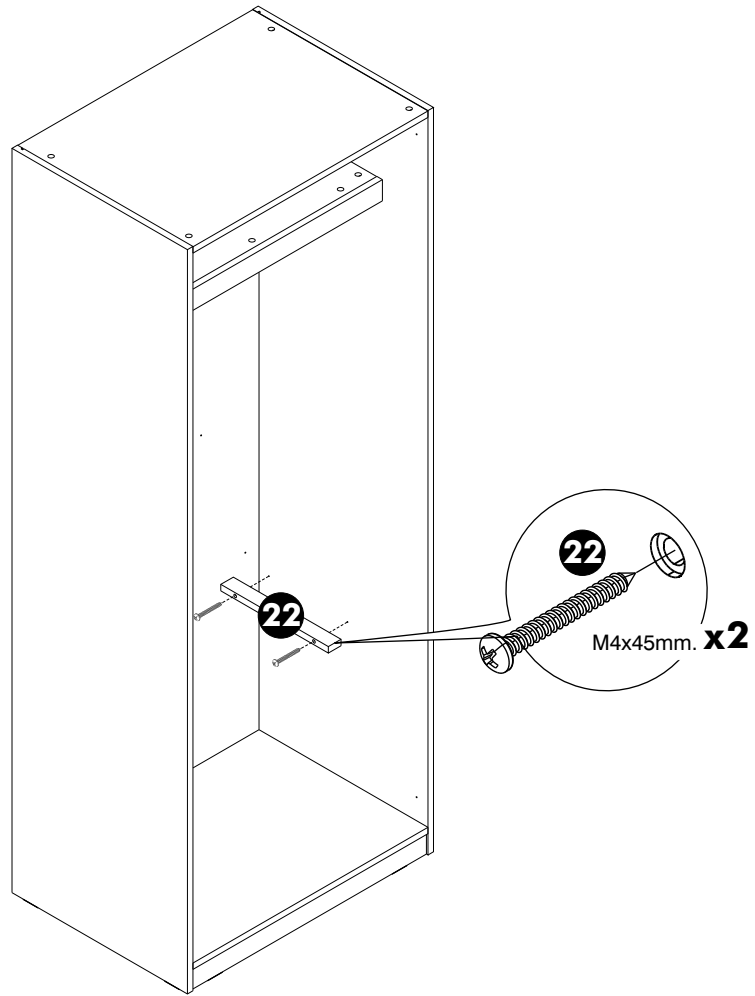
5.



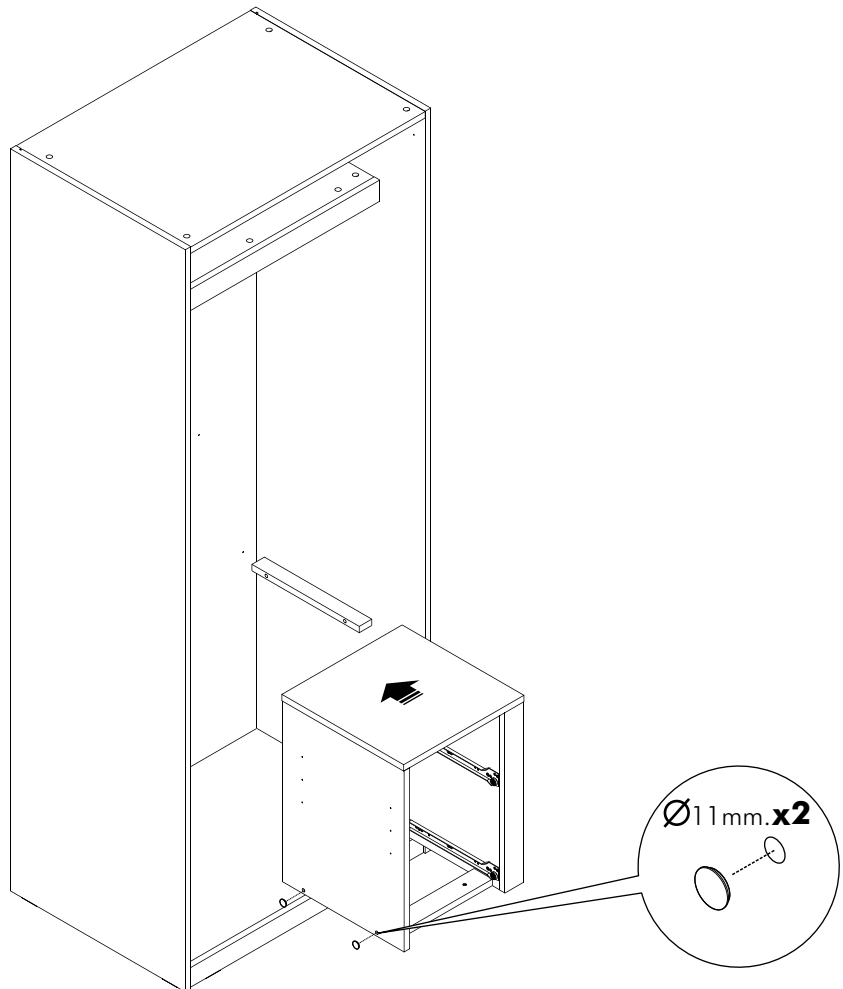
6.



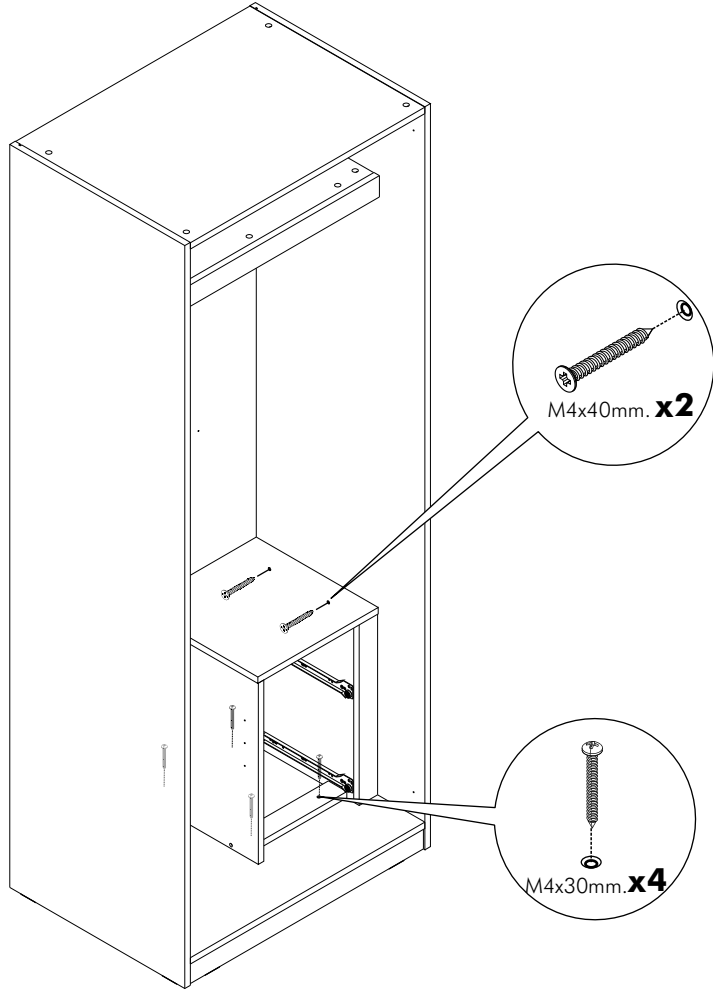
7.



8.



9.



10.

