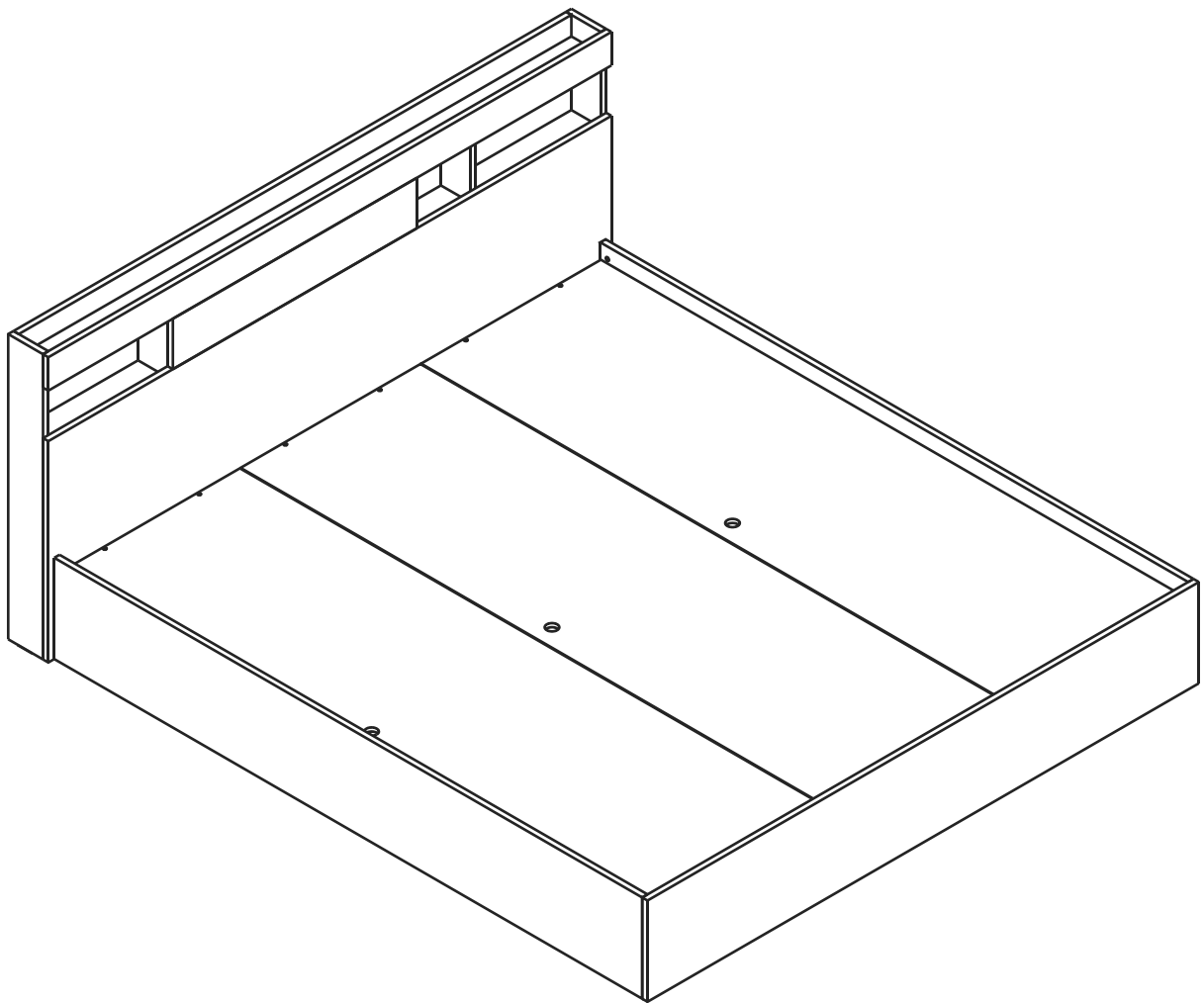


VIOLIN

BED 5 ft.
BED 6 ft.



CONNECT SYSTEM

1

3

2

(Connecting bolts)

WHEN FITTING CAMS
 ENSURE STARTING POSITION IS CORRECT
 BEFORE YOU INSERT CONNECTING BOLT
 TURN CLOCKWISE UNTIL SECURE

✓				✗
↑	CORRECT	WRONG		

1 Pc. $\leq 190\text{mm}$

2 Pcs. $\geq 191-850\text{mm}$

3 Pcs. $> 850-2000\text{mm}$

4 Pcs. $> 2001\text{mm}$

i

40mm.

EQ

OUT **IN**

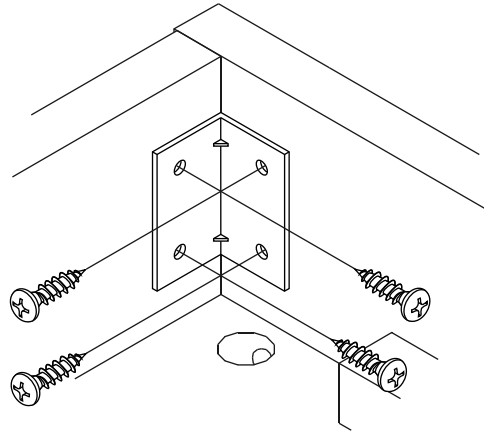
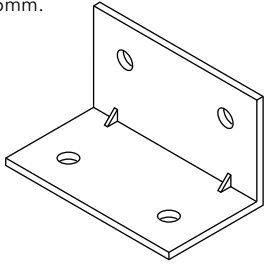
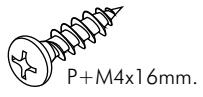
M4x16mm.

M6x45mm.

M6

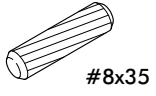
M6

M4x16mm.



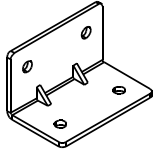
HARDWARE

-BODY SET



#8x35

x 8



x 8



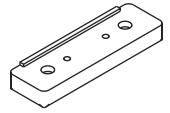
No.1

x 3



M4x16mm.

x 43



x 18



M4x16mm.

x 36



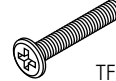
#M6

x 4



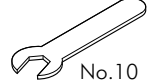
#M6

x 4



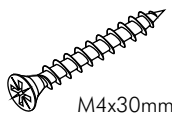
TF+M6x45

x 4



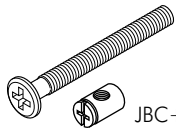
No.10

x 1



M4x30mm.

x 48



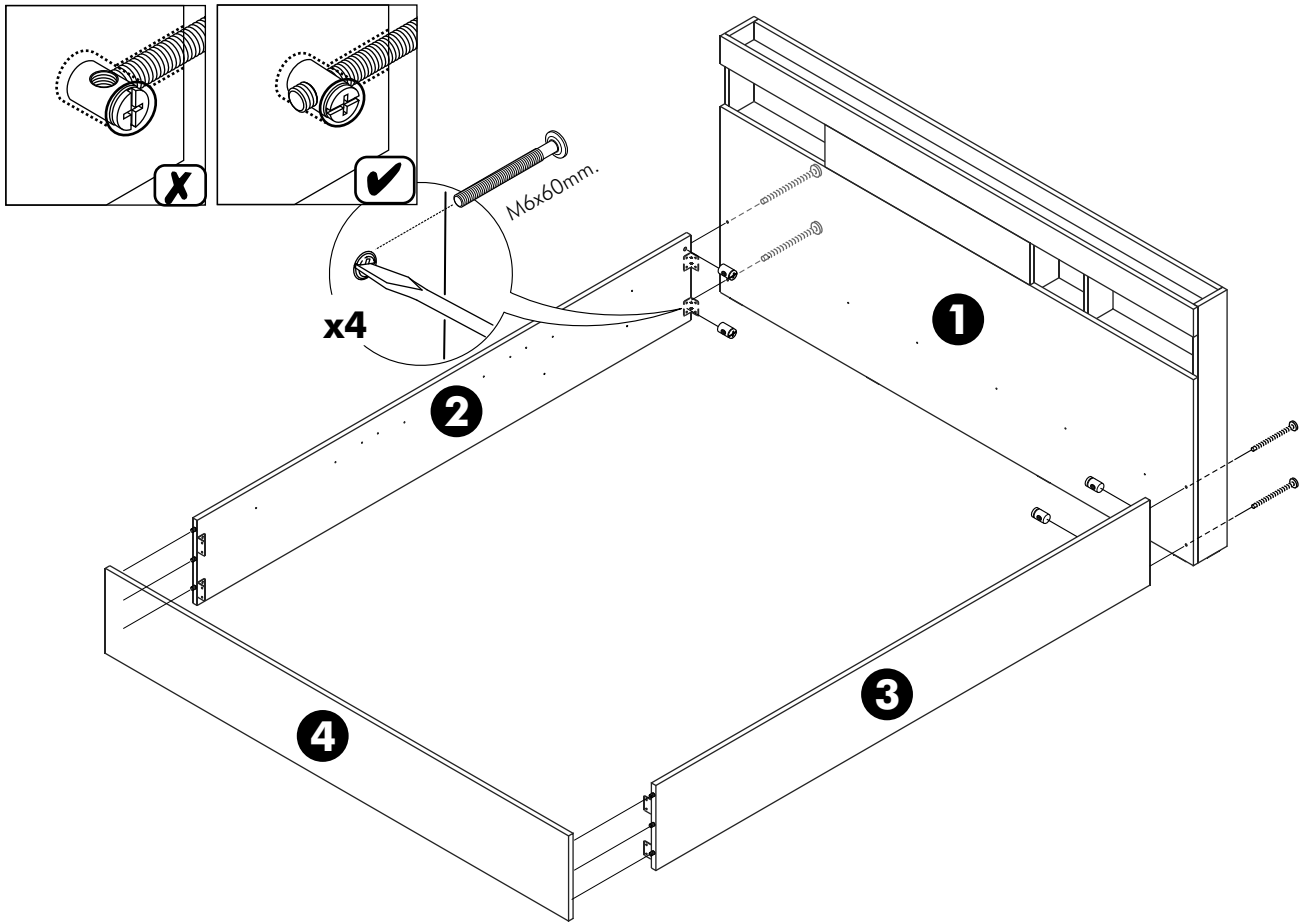
JBC+M6x60

x 4

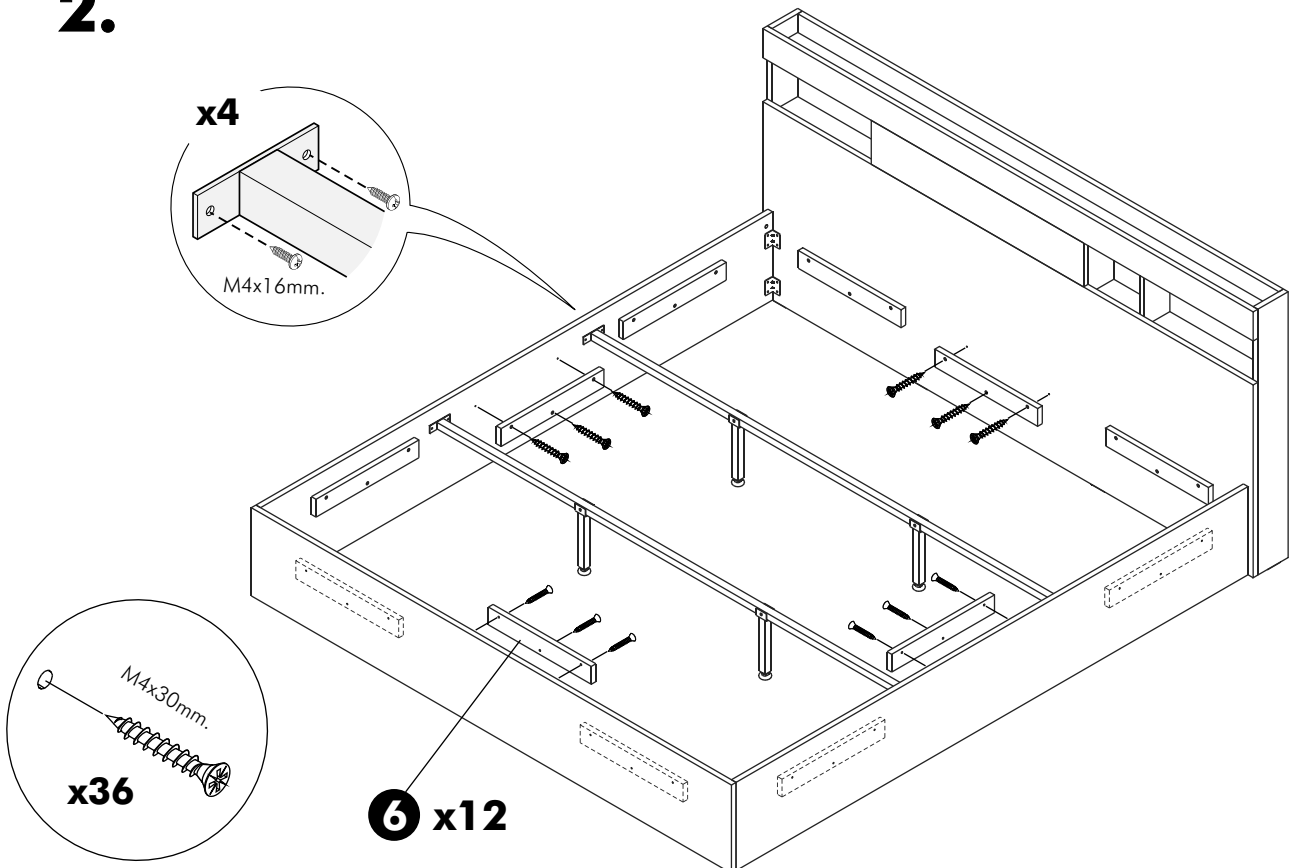
ASSEMBLY

-BODY SET

1.



2.



3.

