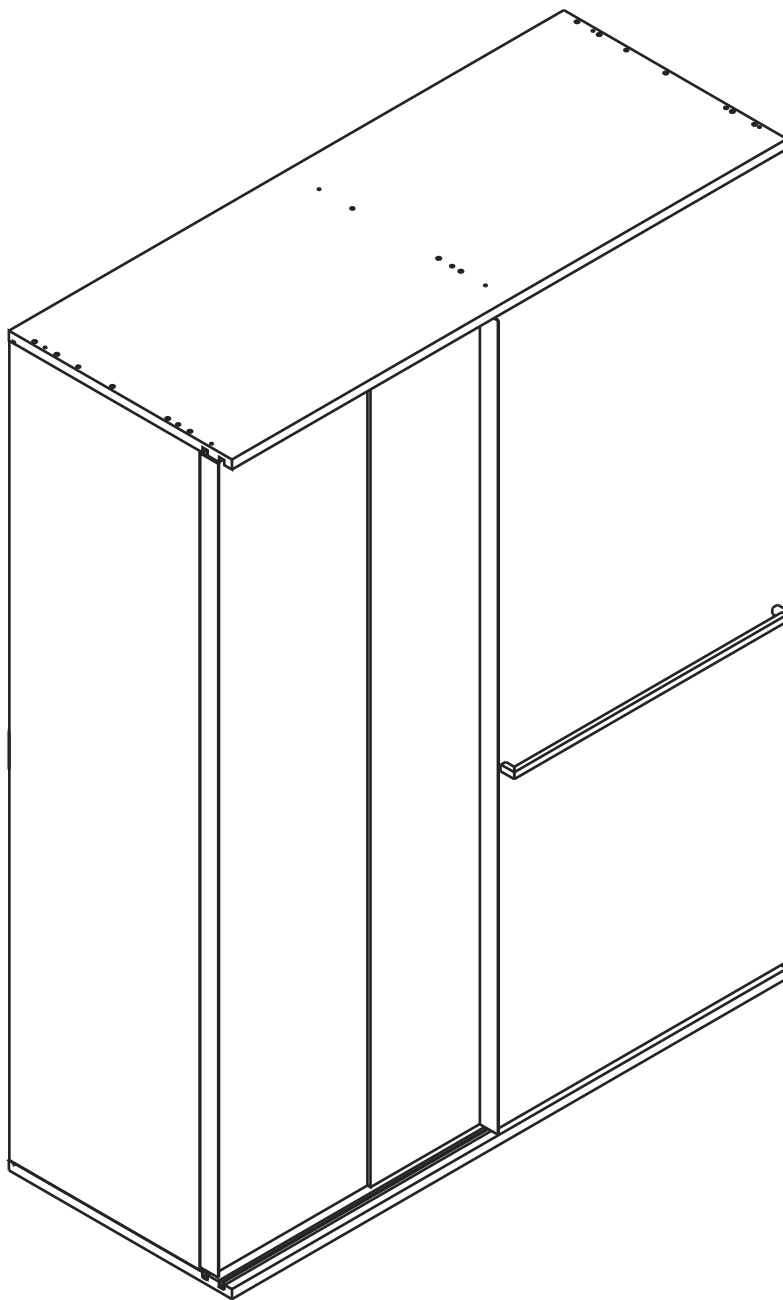
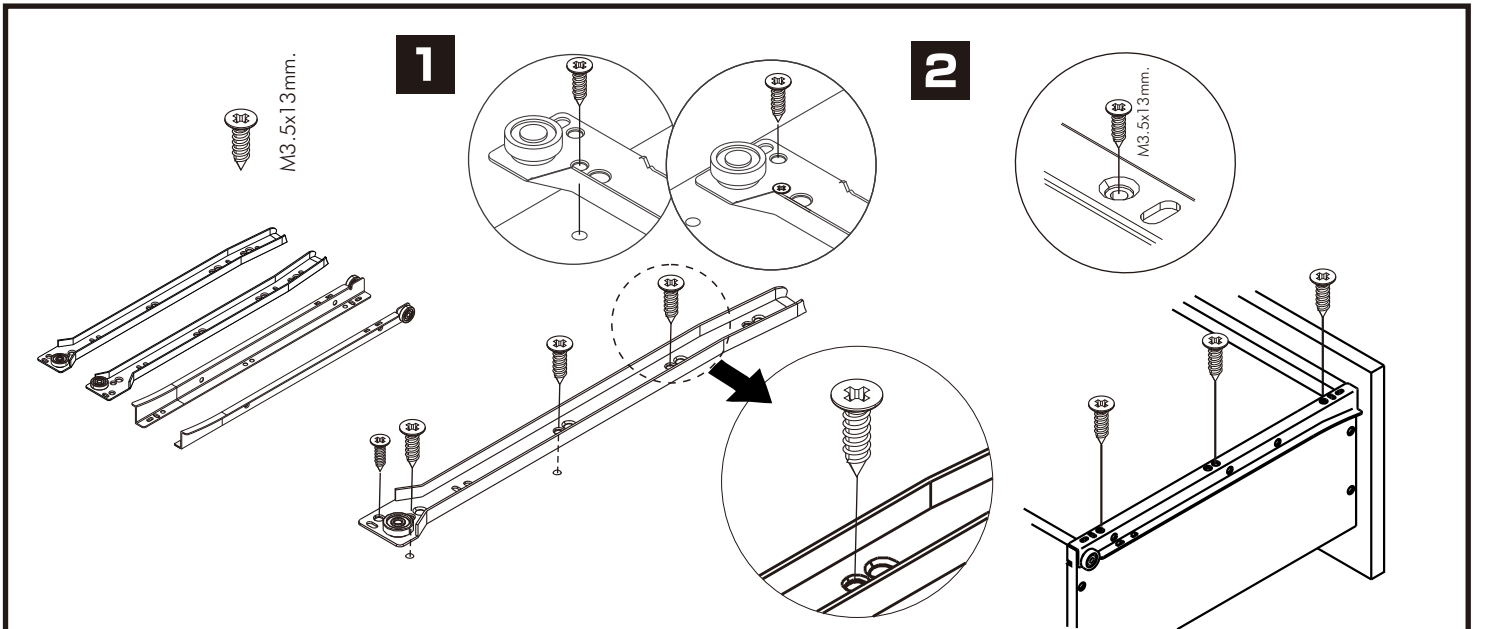
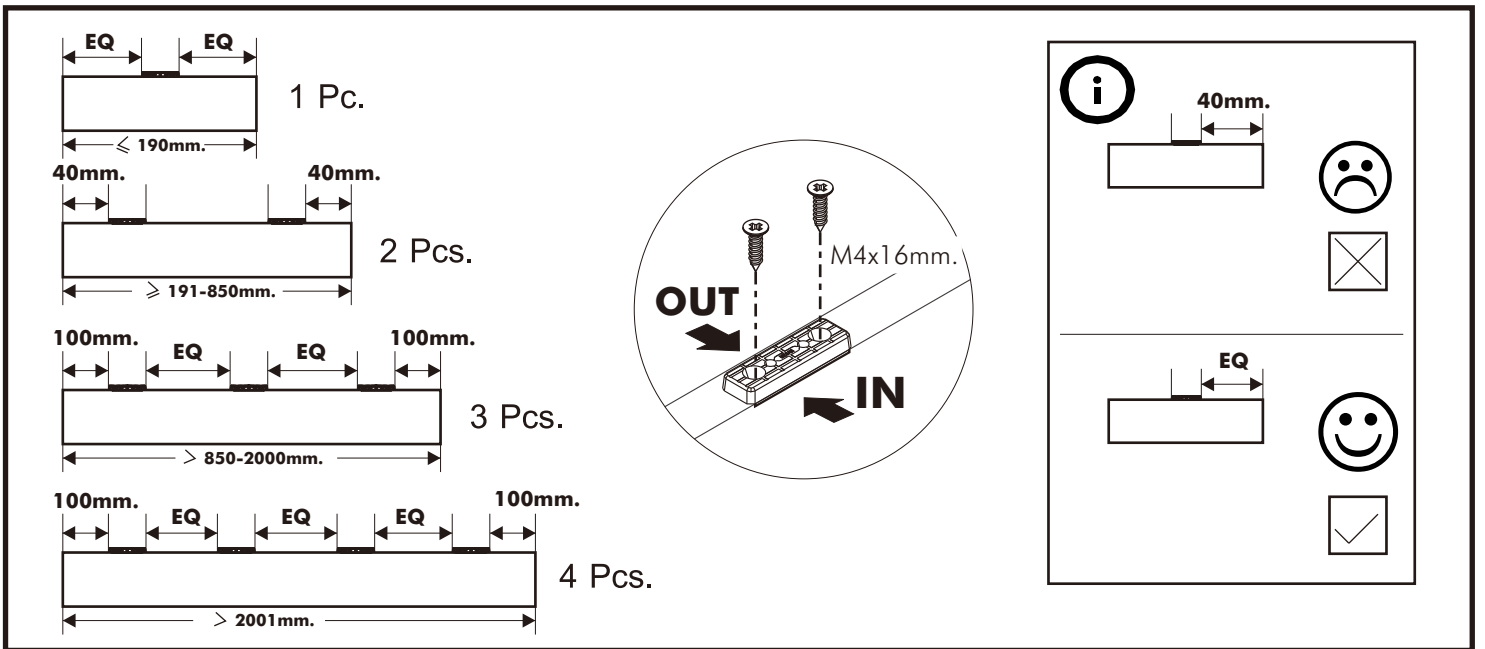
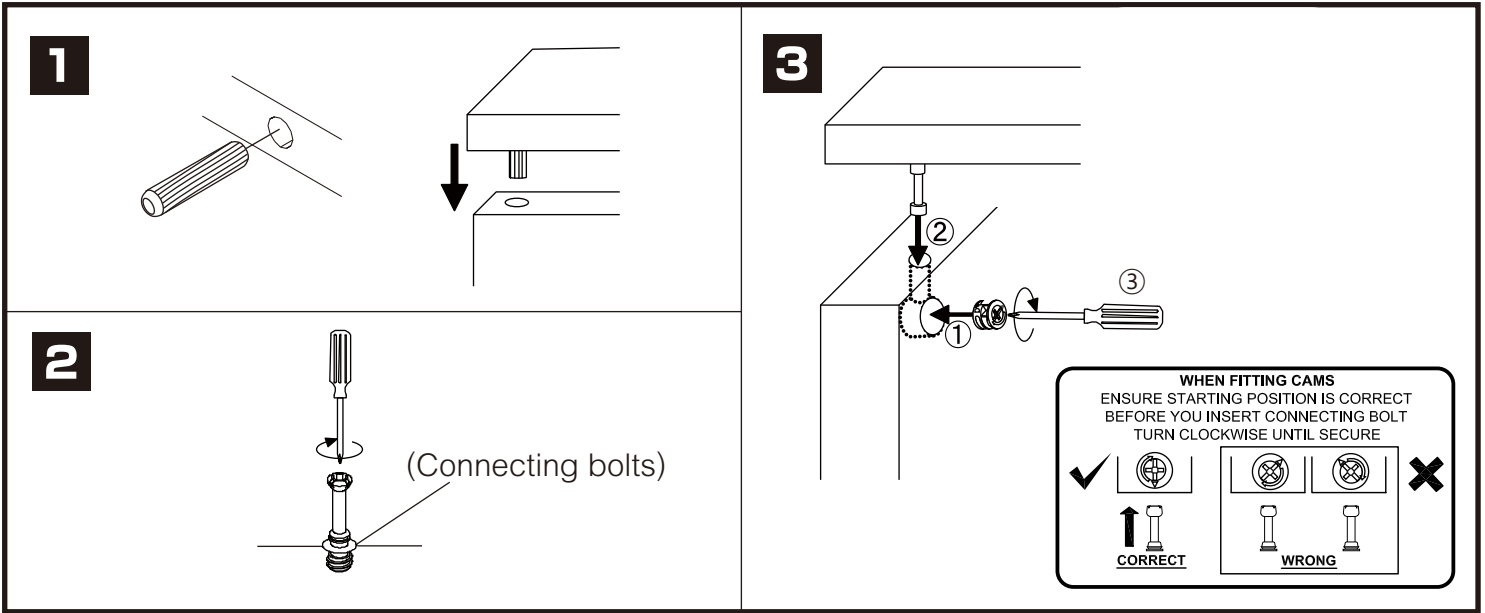


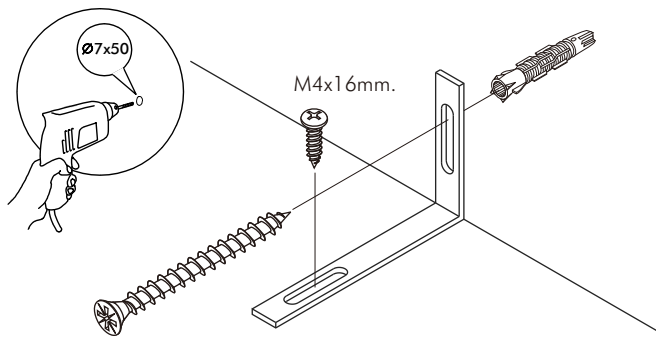
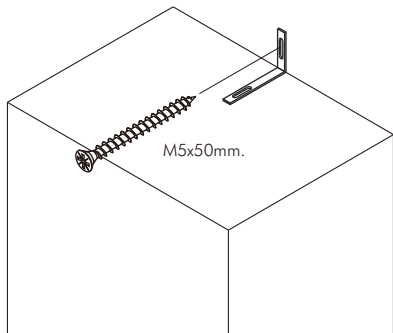
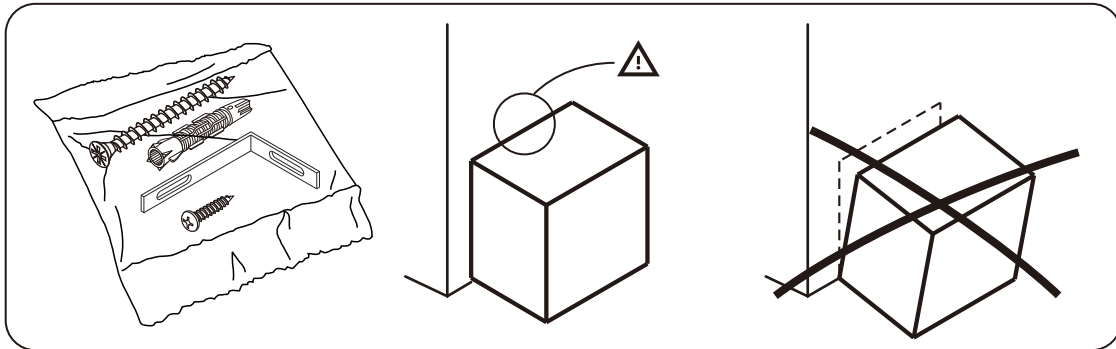
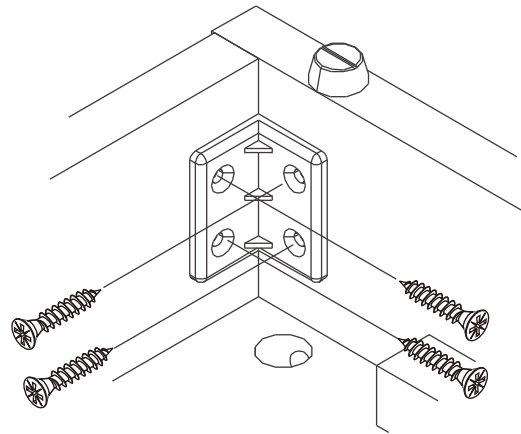
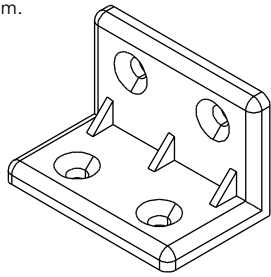
HARVEST

Sliding door 160cm



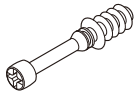
CONNECT SYSTEM





HARDWARE

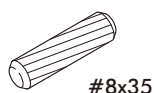
-BODY SET



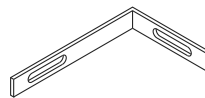
x 18



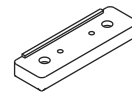
x 18



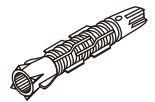
x 20



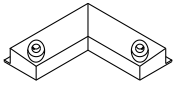
x 1



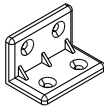
x 10



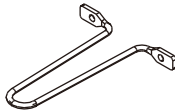
x 1



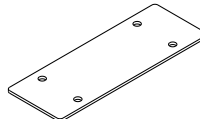
x 4



x 4



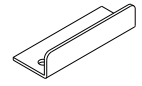
x 1



x 2



x 4



x 1



x 11



x 15



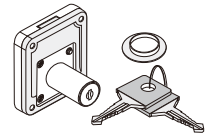
x 36



x 12



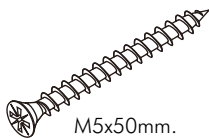
x 8



x 1



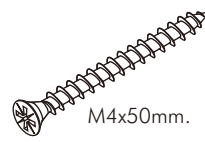
x 2



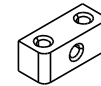
x 1



x 2



x 33

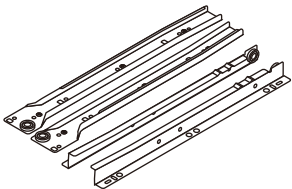


x 2



x 6

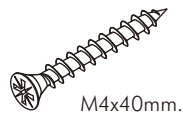
-DRAWER SET



x 1



x 14



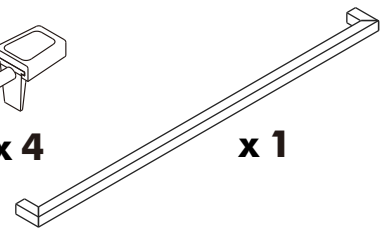
x 8



x 2



x 4

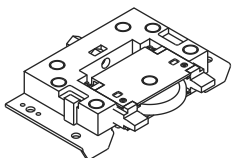


x 1

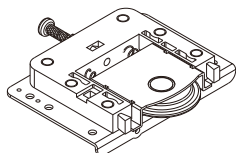


x 1

-DOOR SET



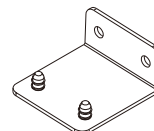
x 4



x 4



x 36



x 2



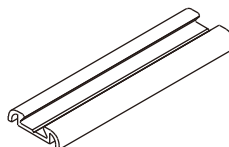
x 12



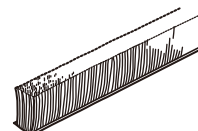
x 2



x 20



x 2

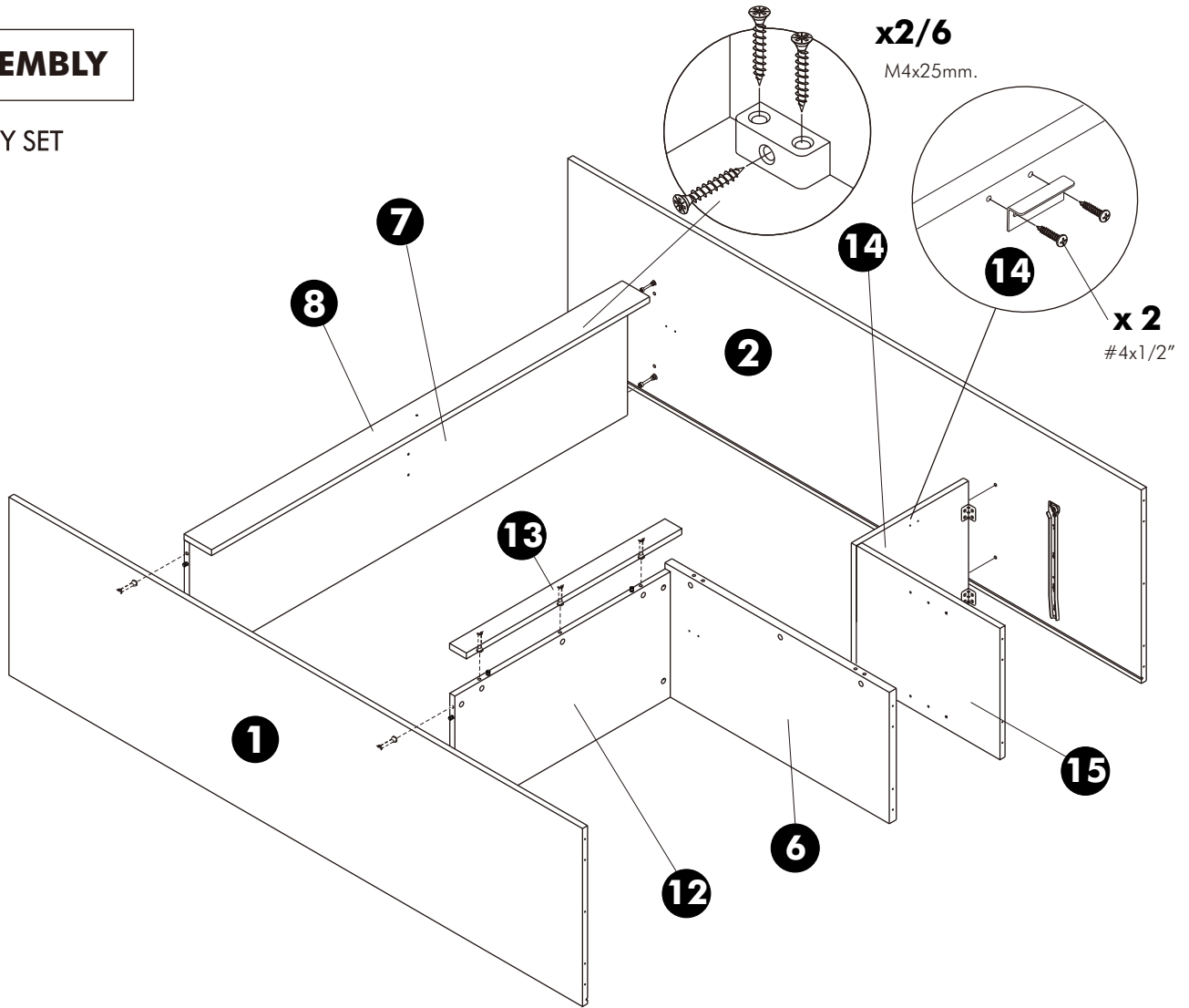


x 2

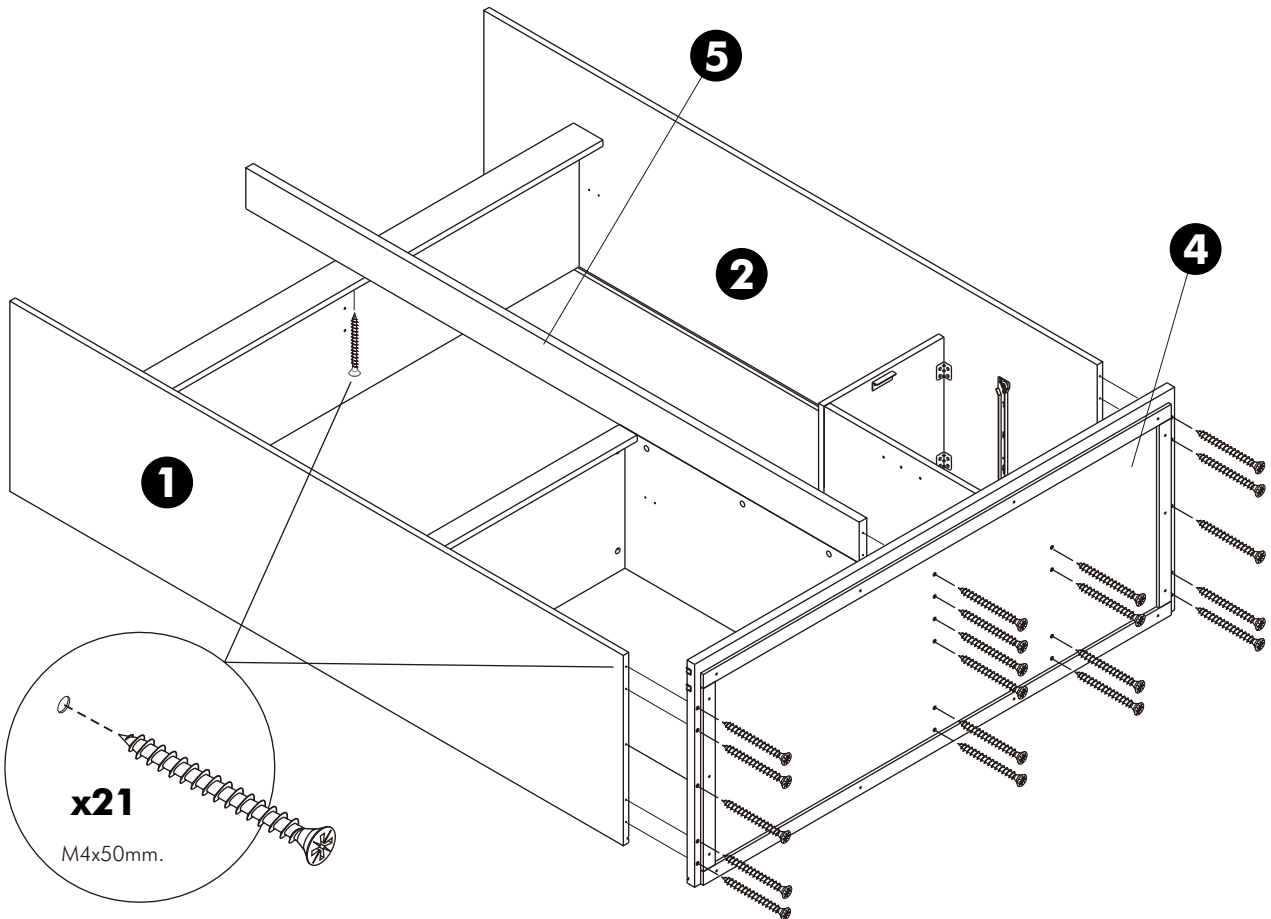
ASSEMBLY

-BODY SET

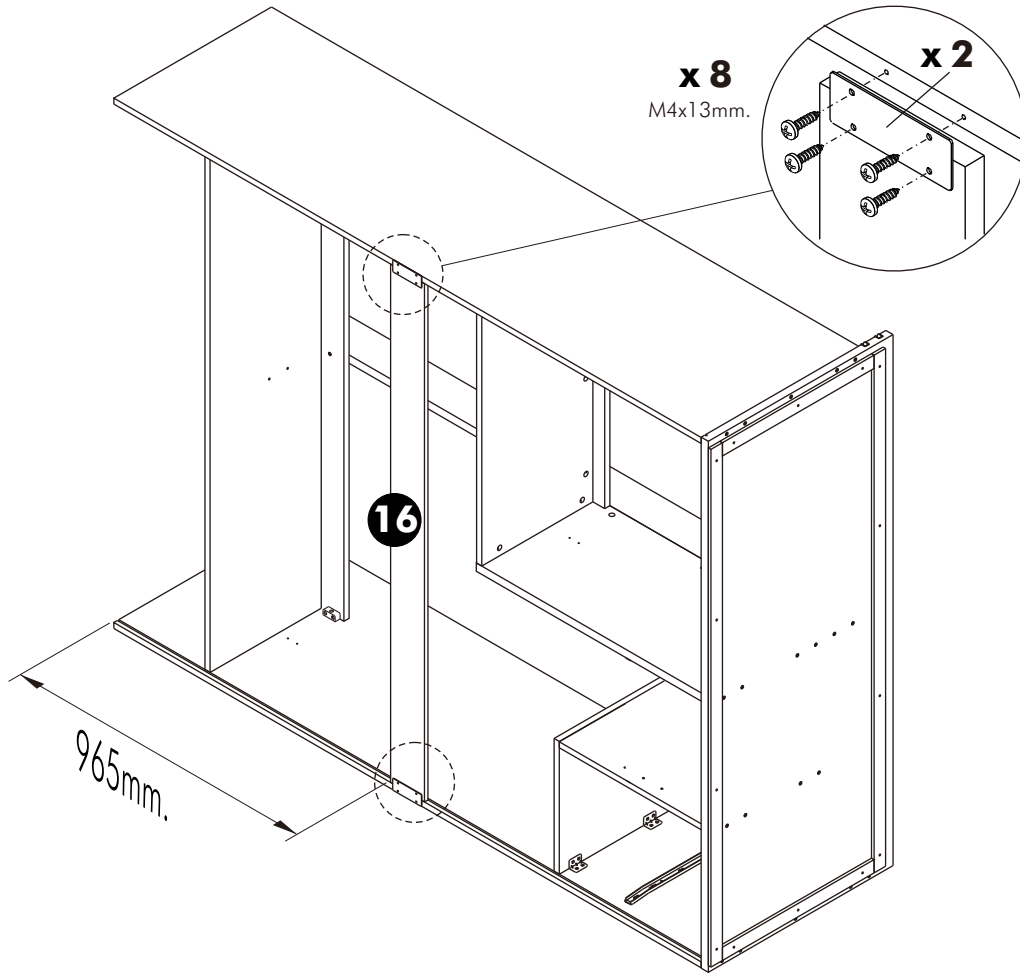
1.



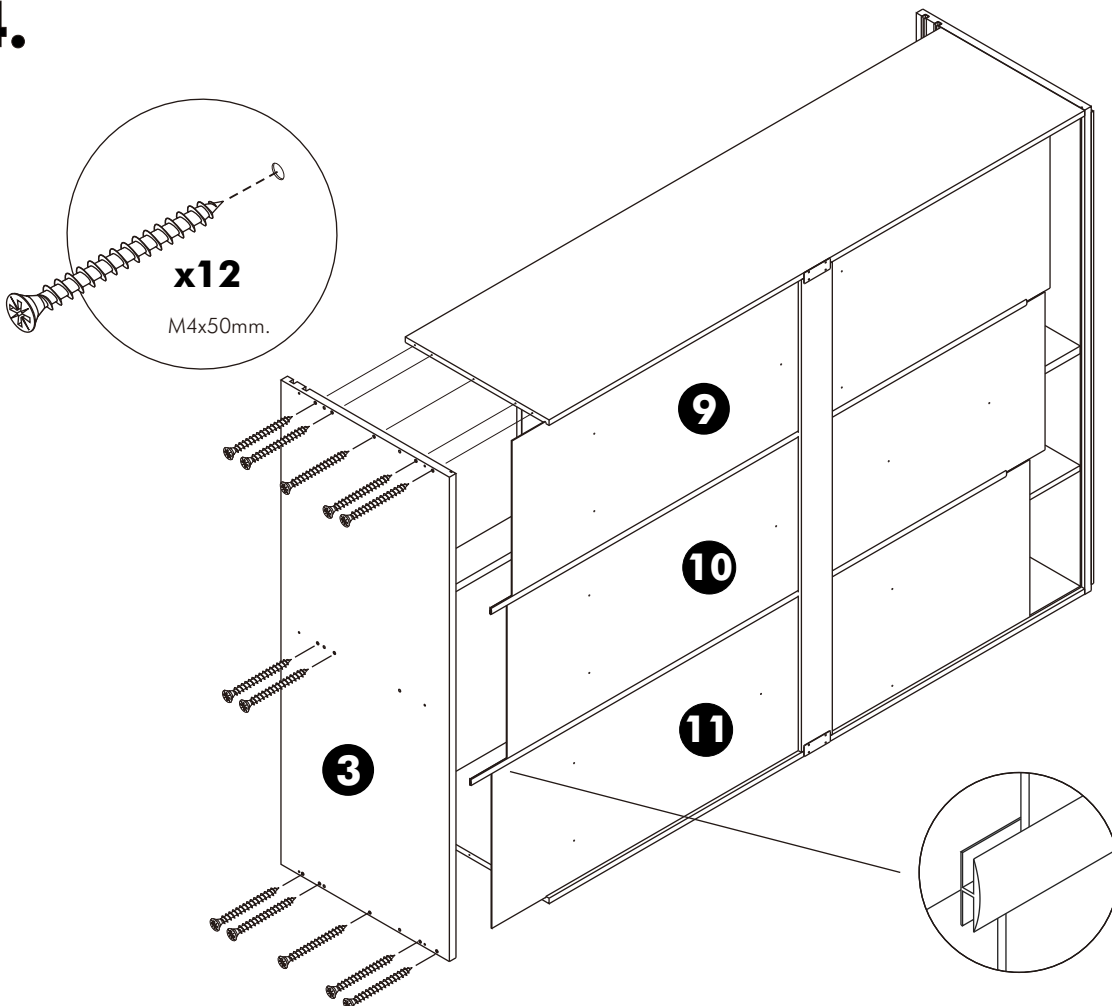
2.



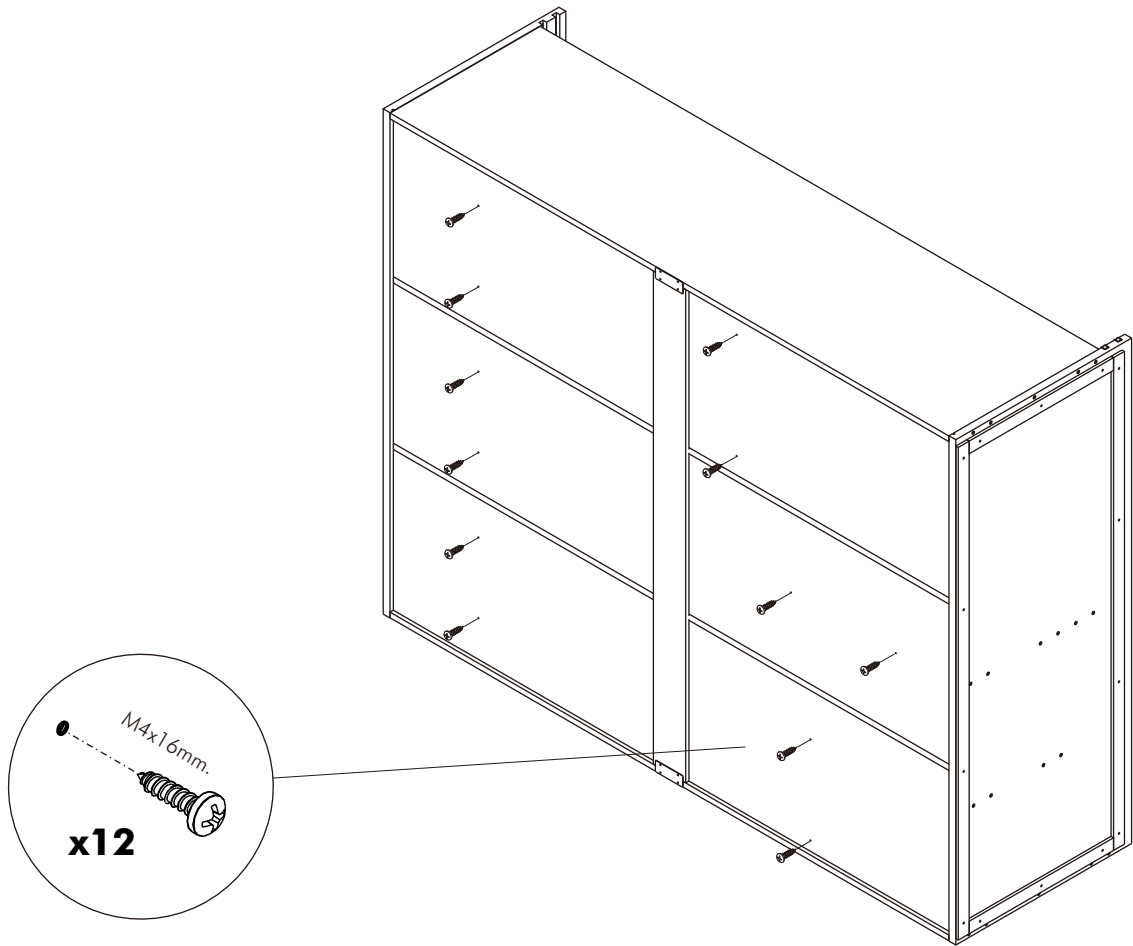
3.



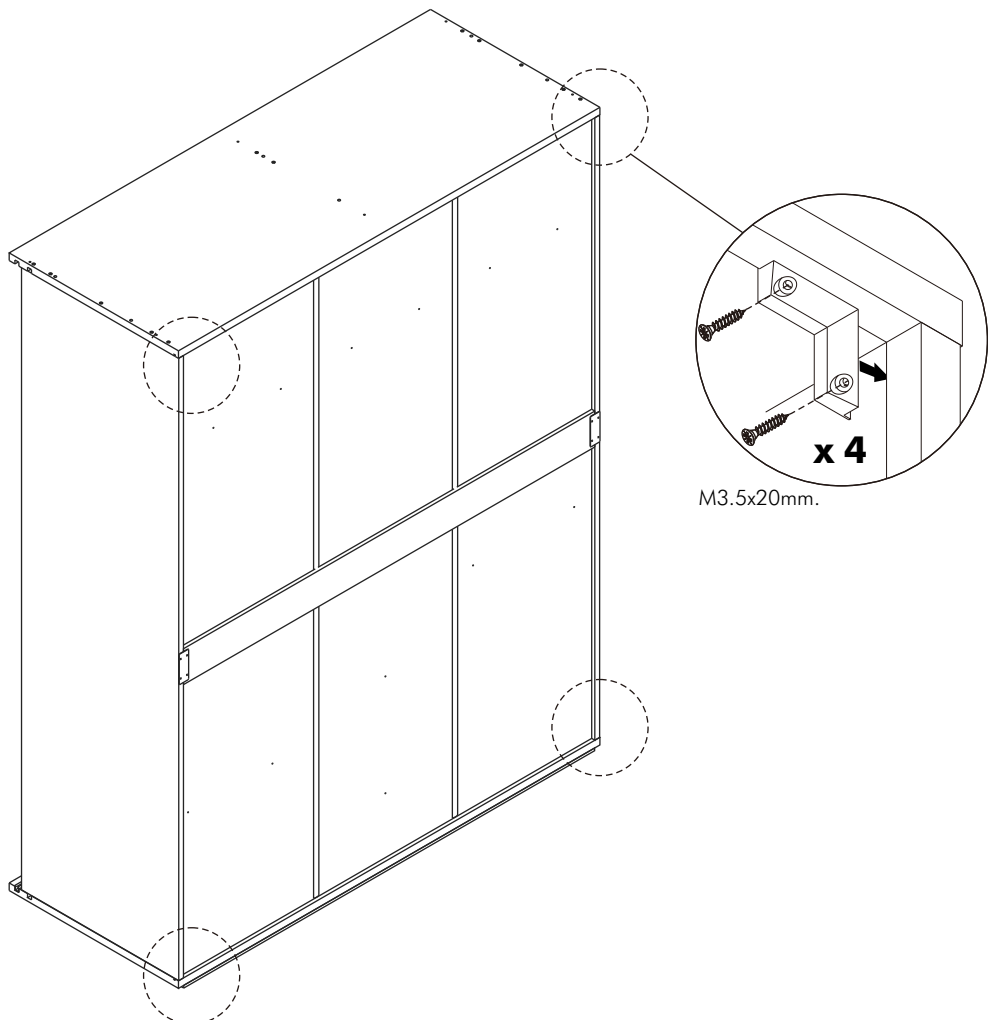
4.



5.

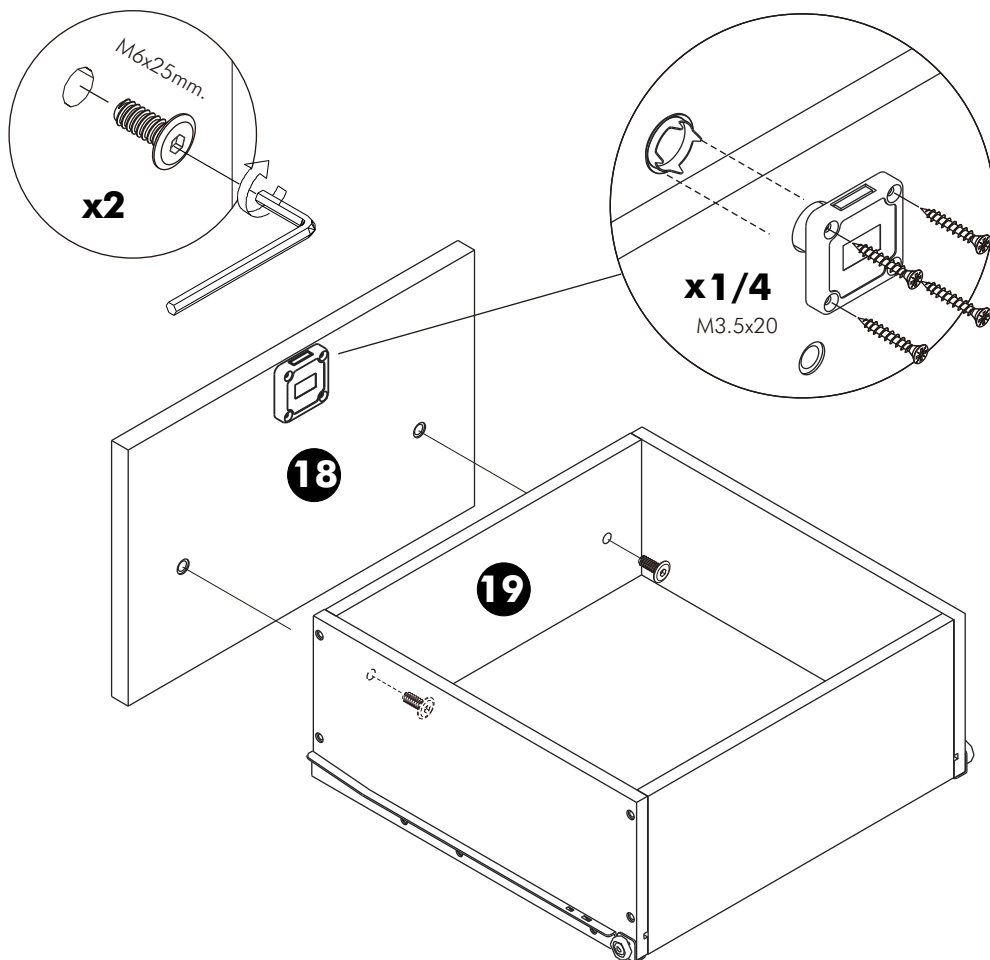
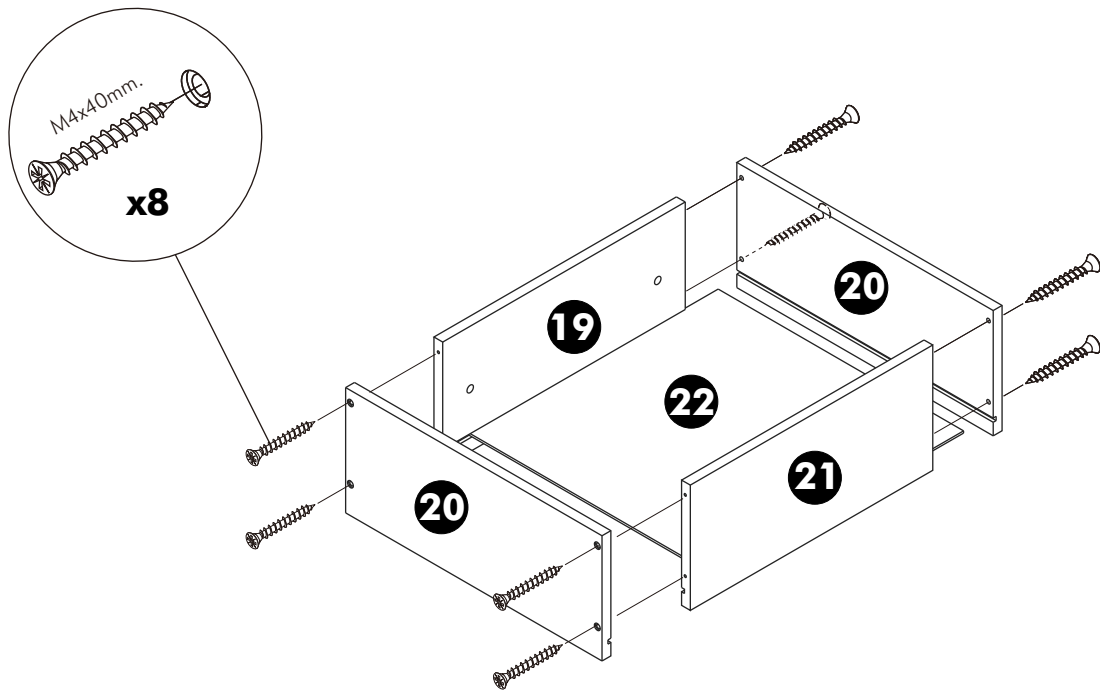


6.

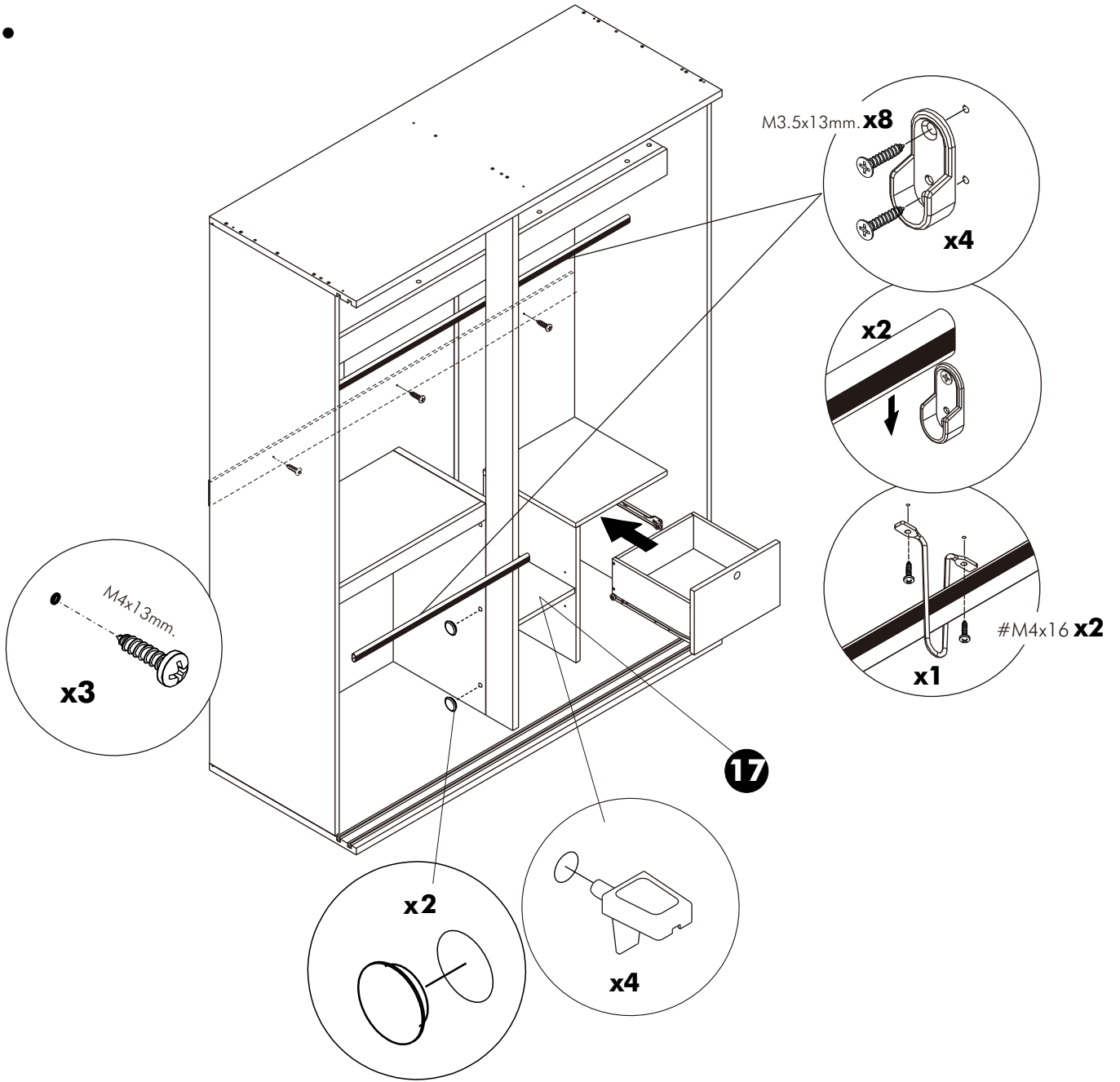


ASSEMBLY

-DRAWER SET



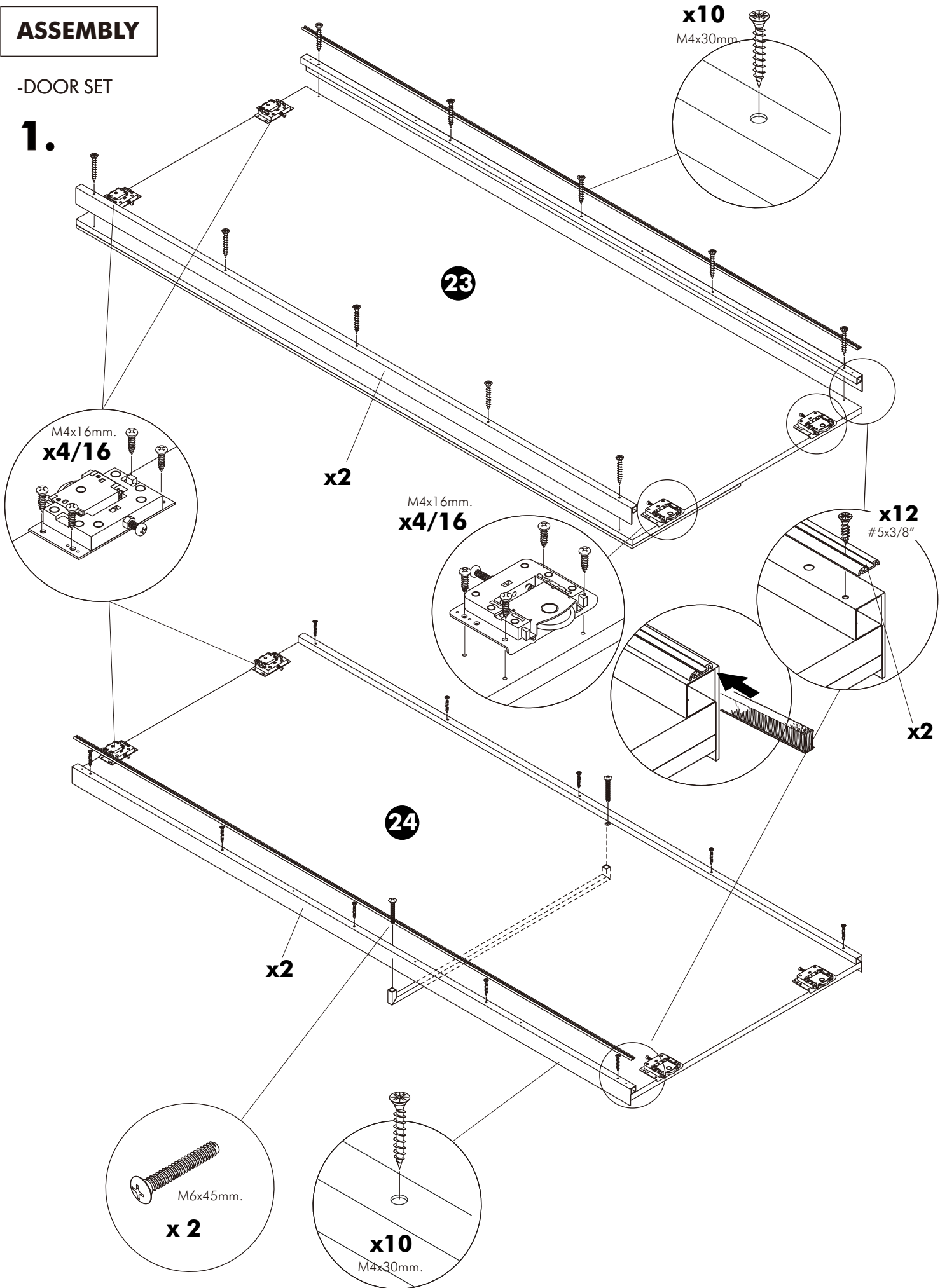
7.



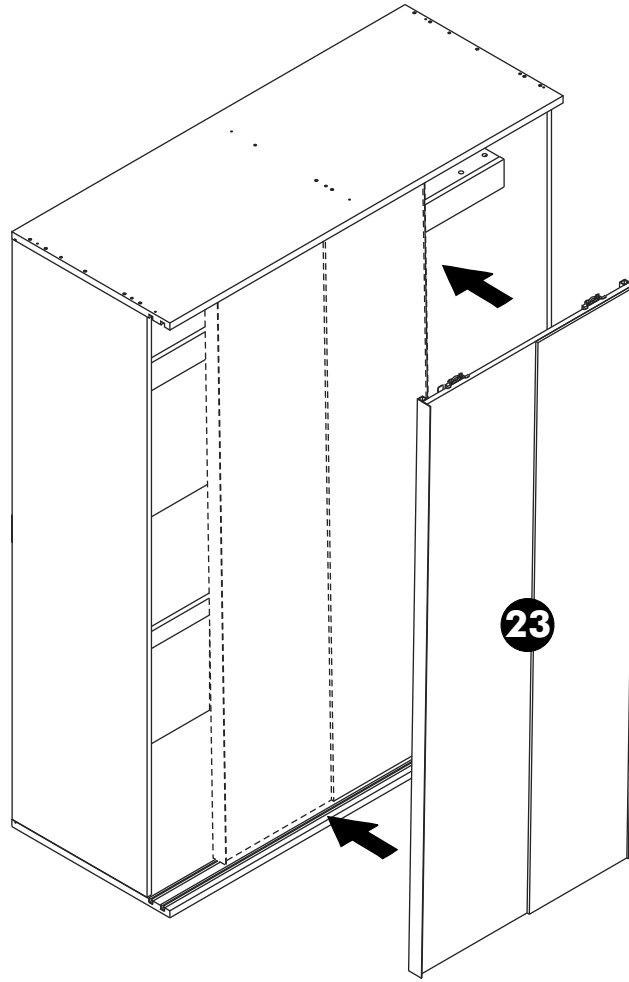
ASSEMBLY

-DOOR SET

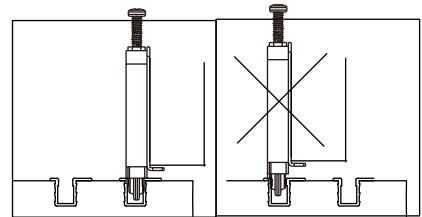
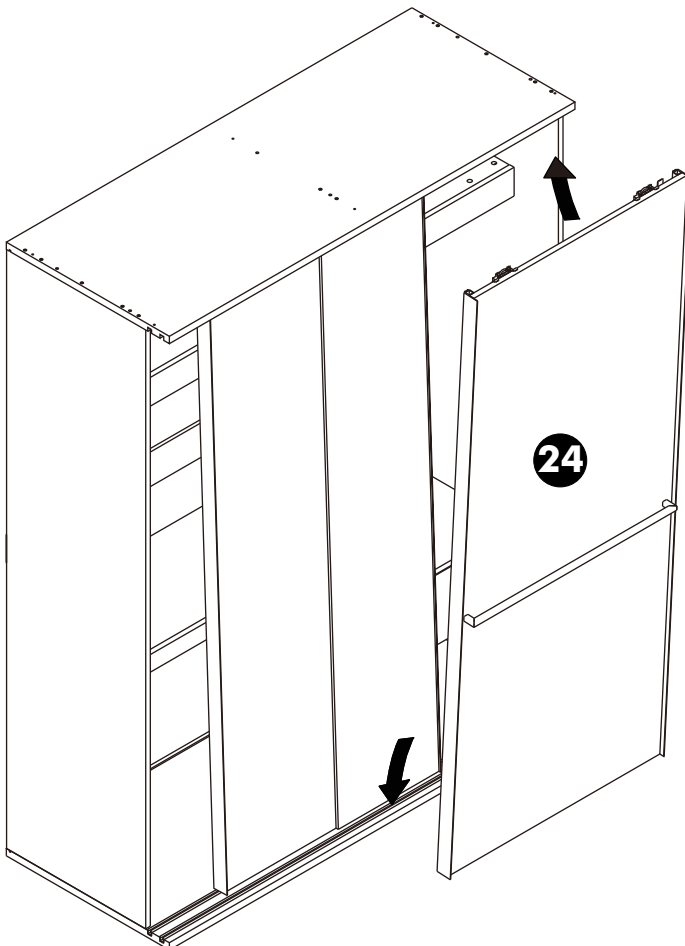
1.



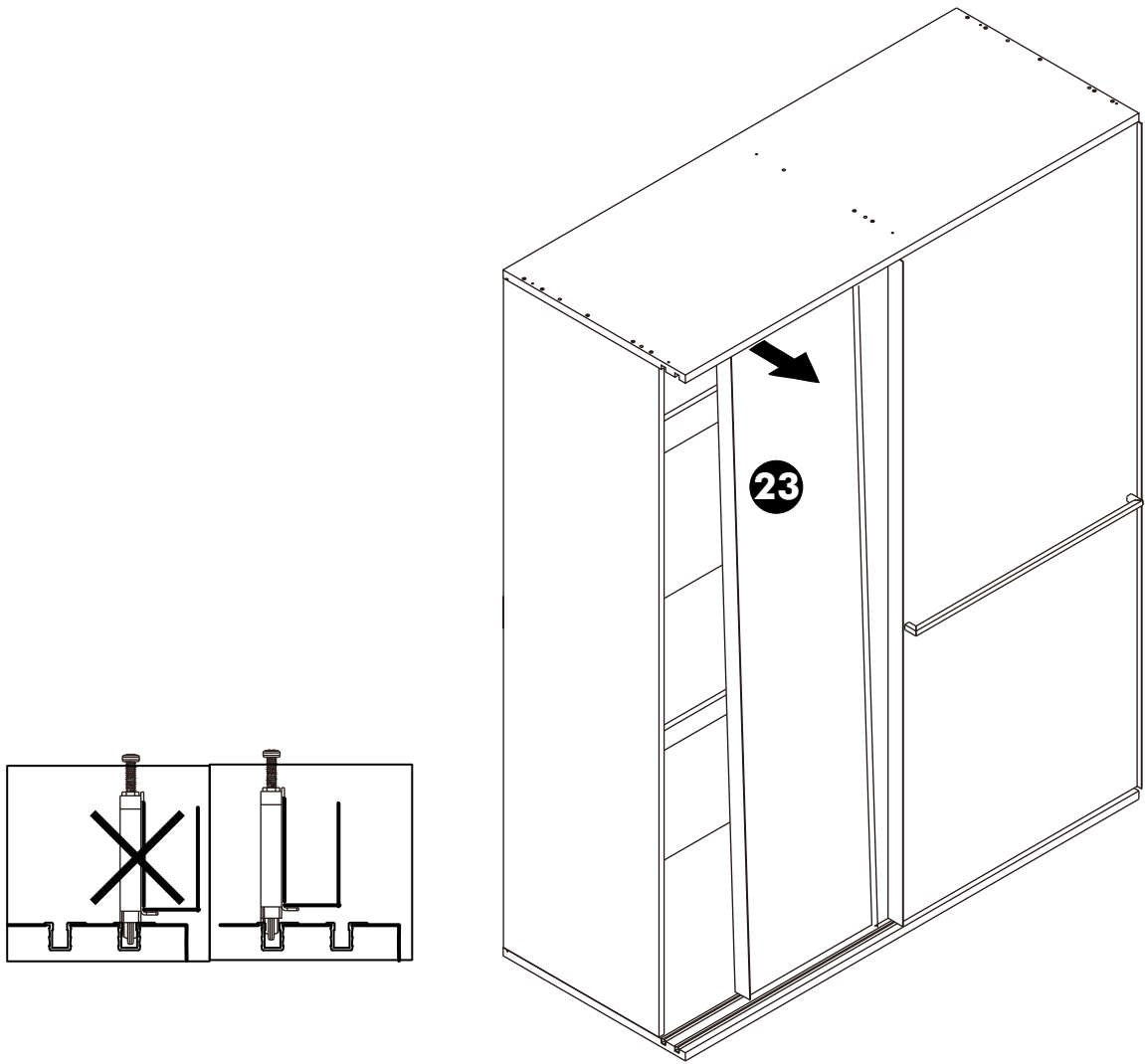
2.



3.



4.



5.

