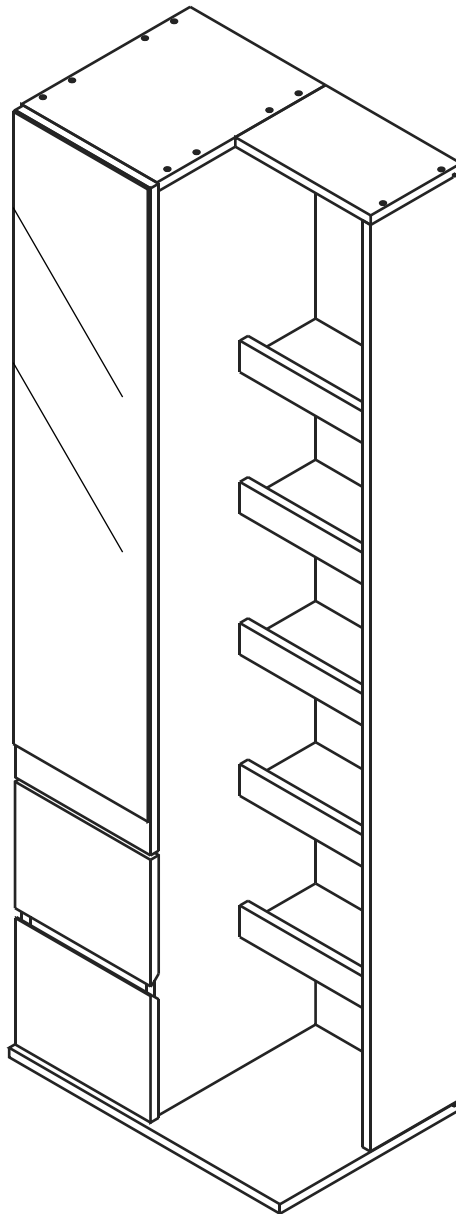
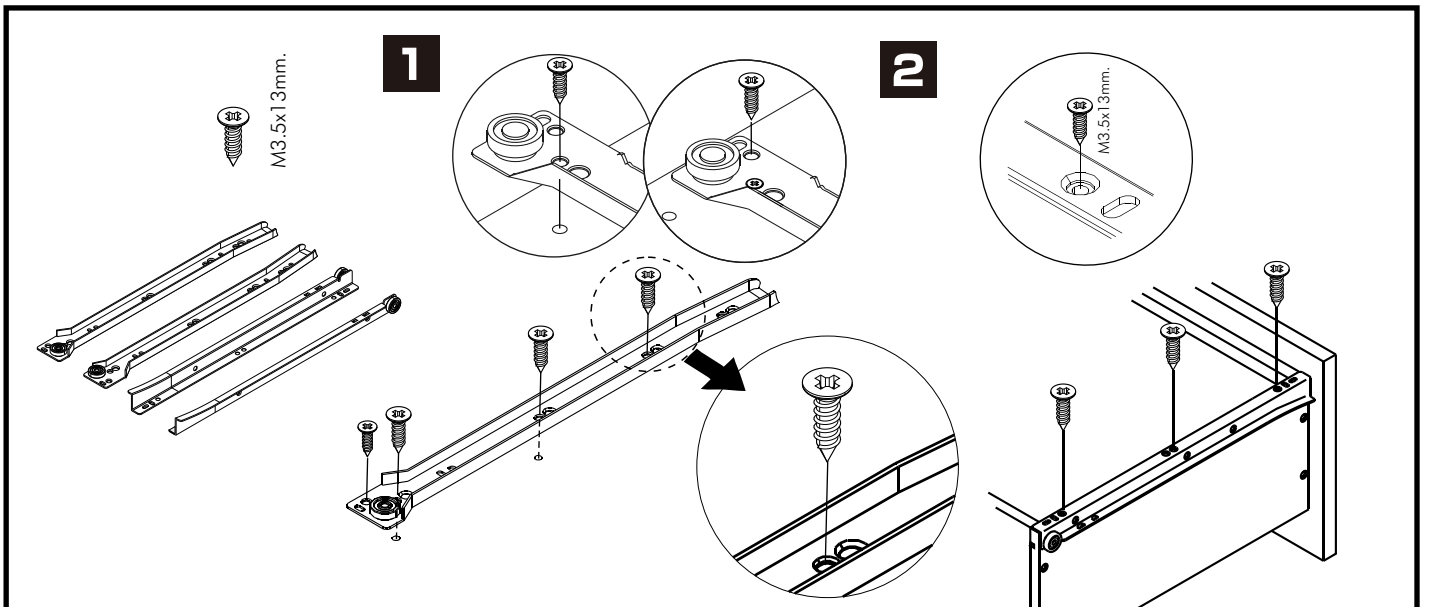
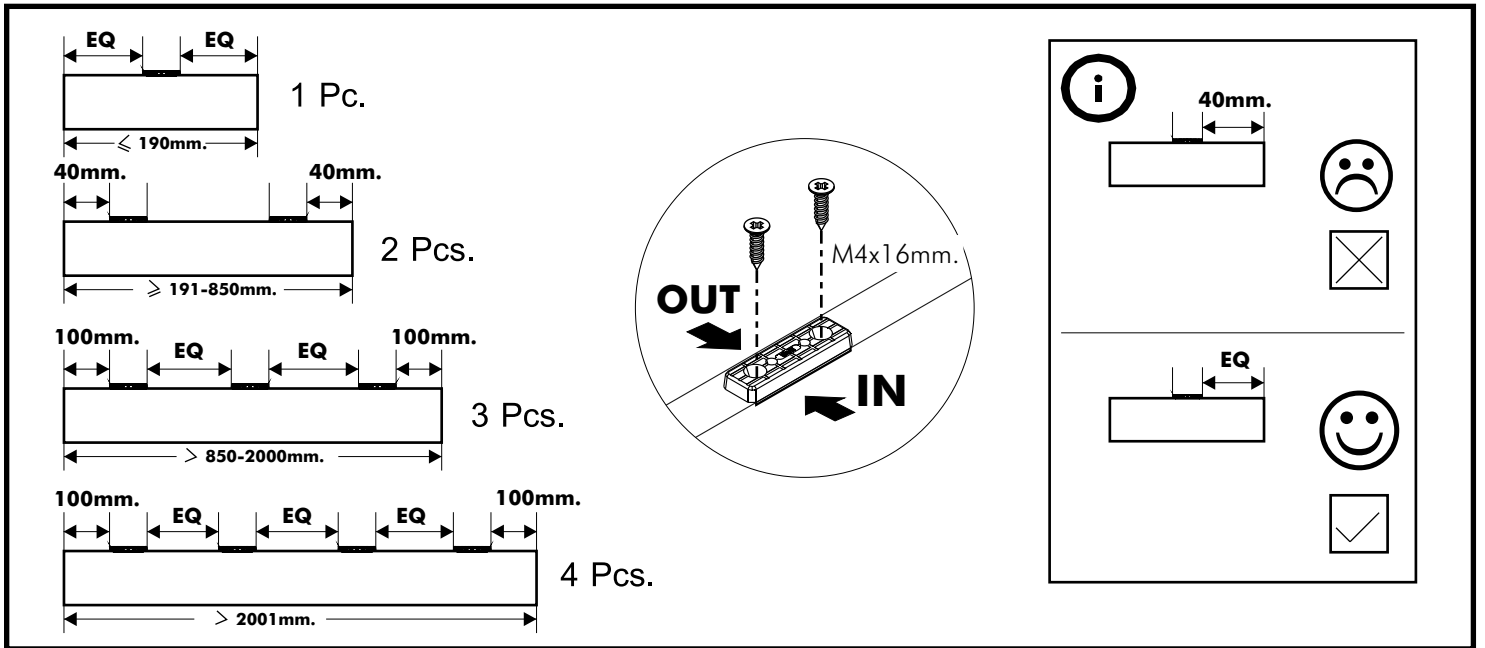
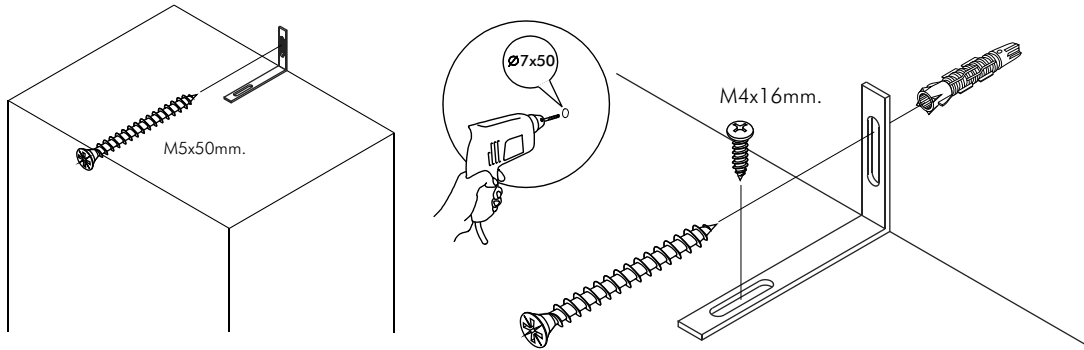
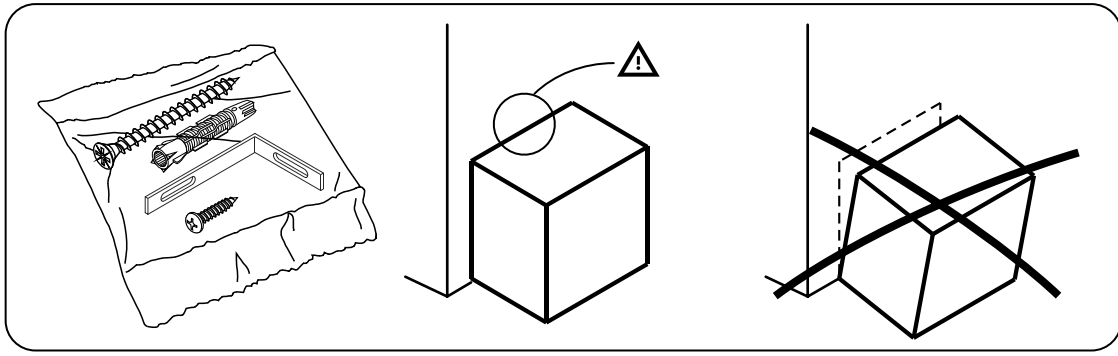


# HARVEST

Dressing table 60cm

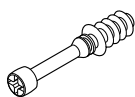






# HARDWARE

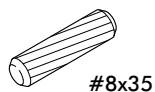
## -BODY SET



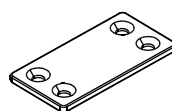
**x 9**



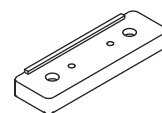
**x 9**



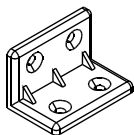
**x 34**



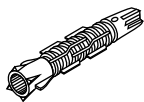
**x 4**



**x 4**



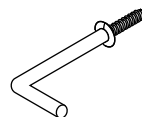
**x 2**



**x 1**



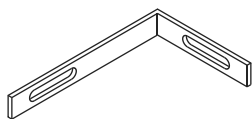
**x 12**



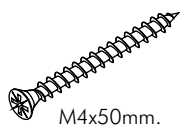
**x 4**



**x 8**



**x 1**



**x 20**



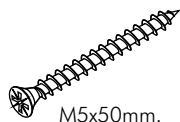
**x 24**



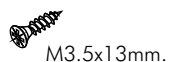
**x 8**



**x 5**

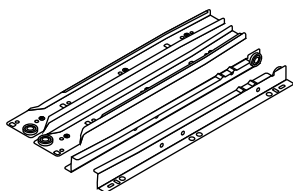


**x 1**

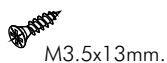


**x 8**

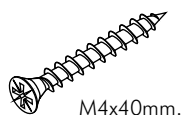
## -DRAWER SET



**x 2**



**x 28**



**x 16**

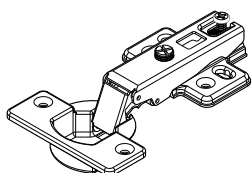


**x 4**



**x 1**

## -DOOR SET



**x 3**



**x 18**

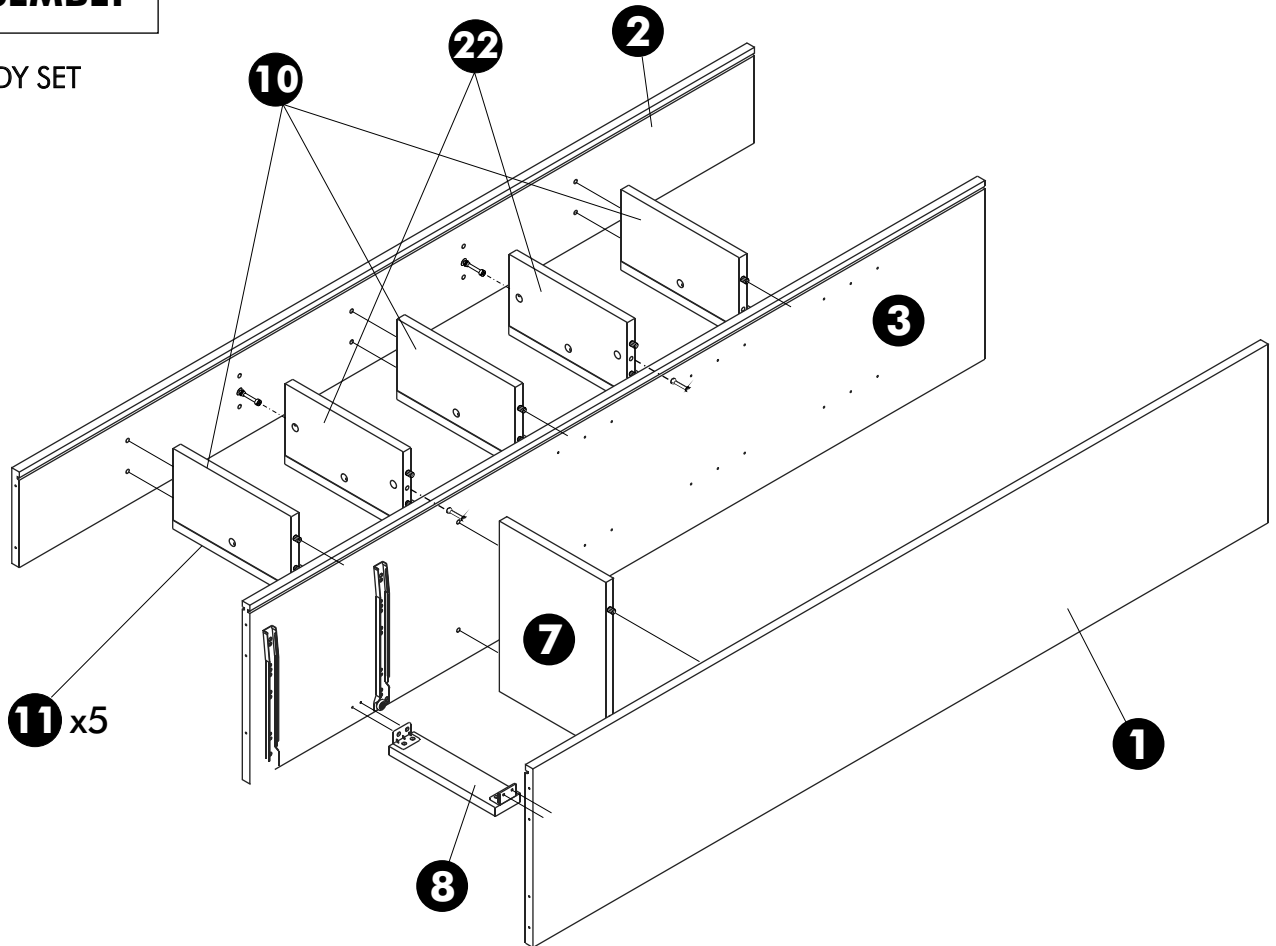


**x 2**

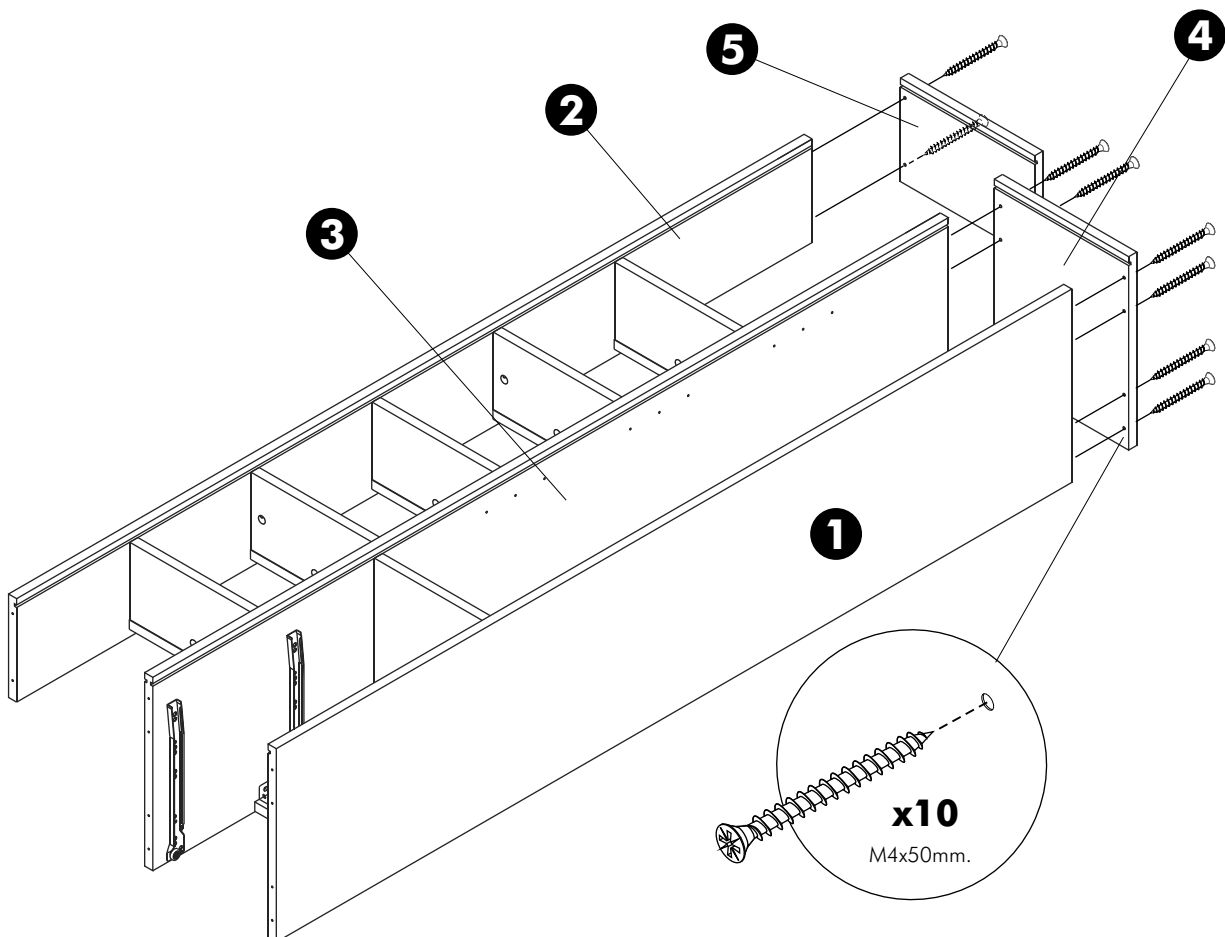
# ASSEMBLY

-BODY SET

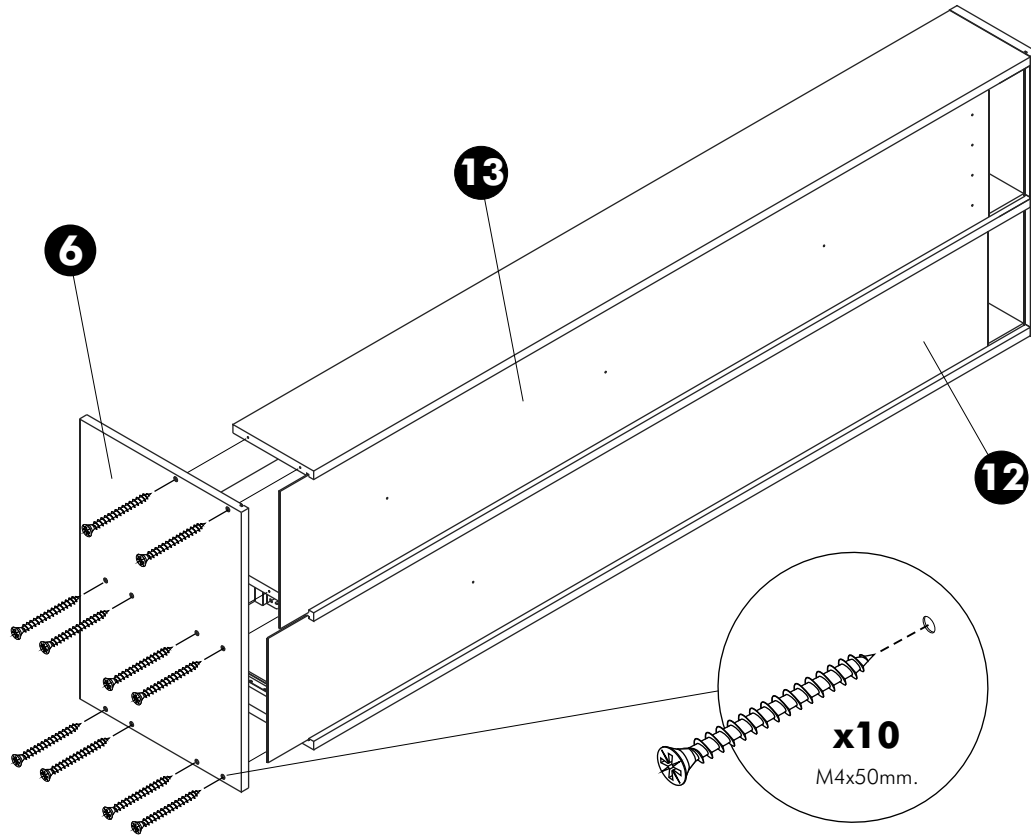
**1.**



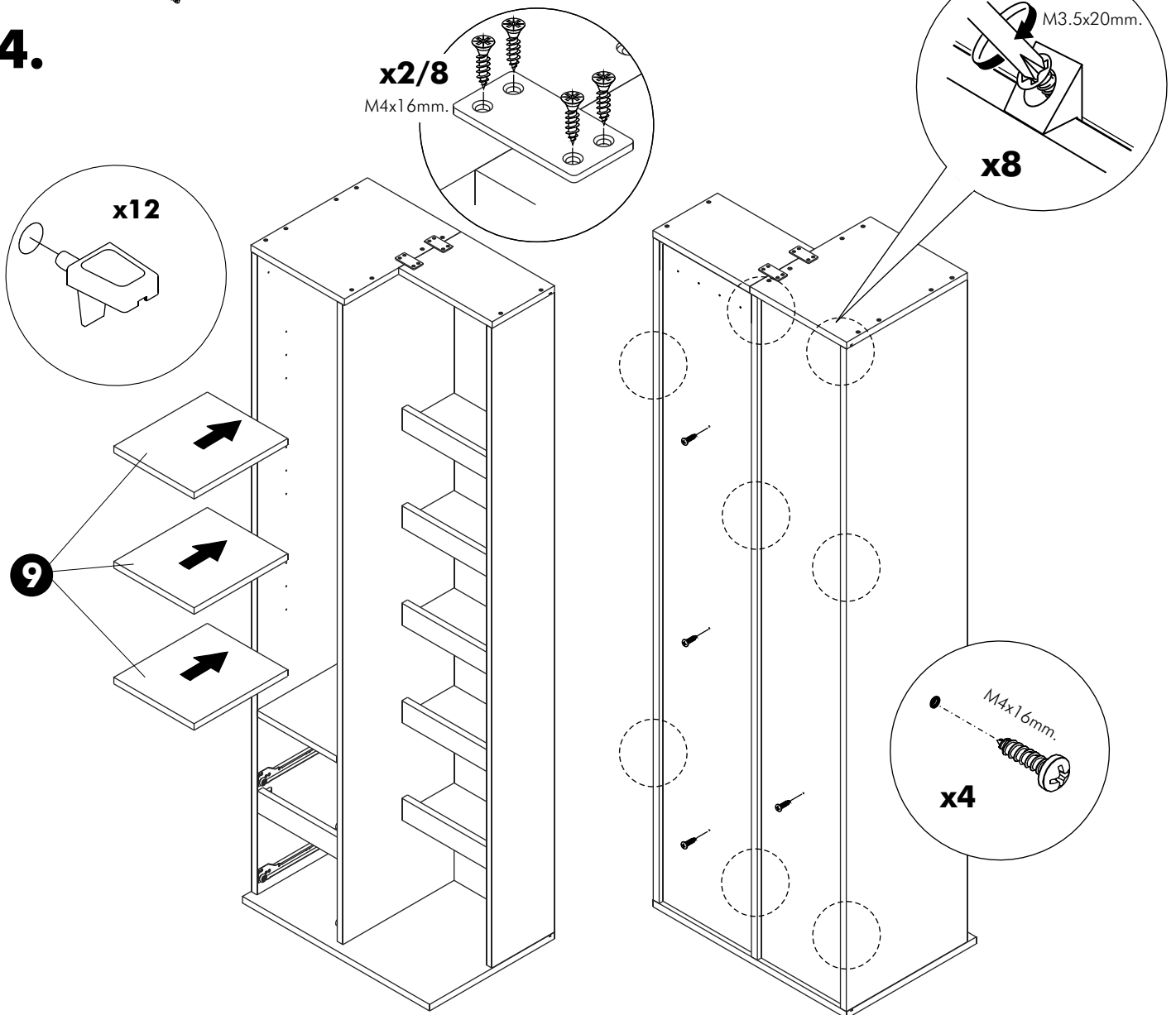
**2.**



**3.**



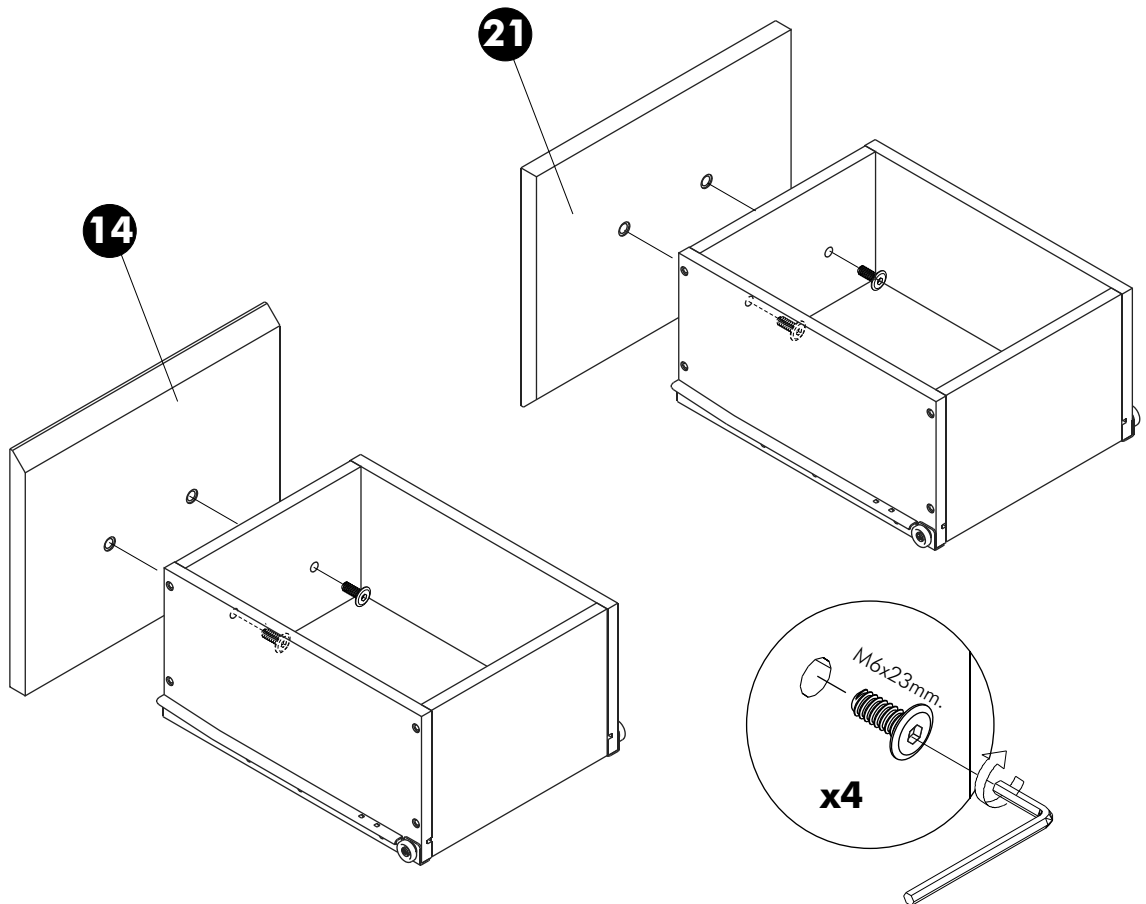
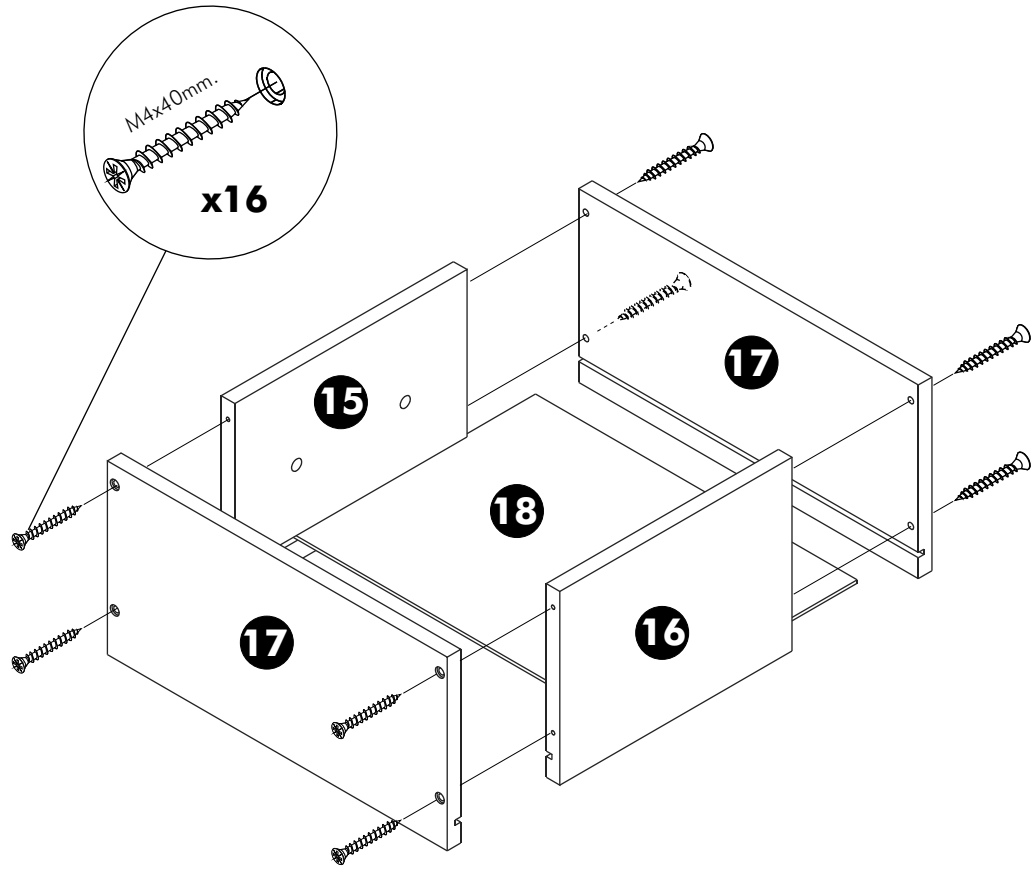
**4.**



**ASSEMBLY**

-DRAWER SET

**x2**



# ASSEMBLY

## -DRAWER&DOOR SET

