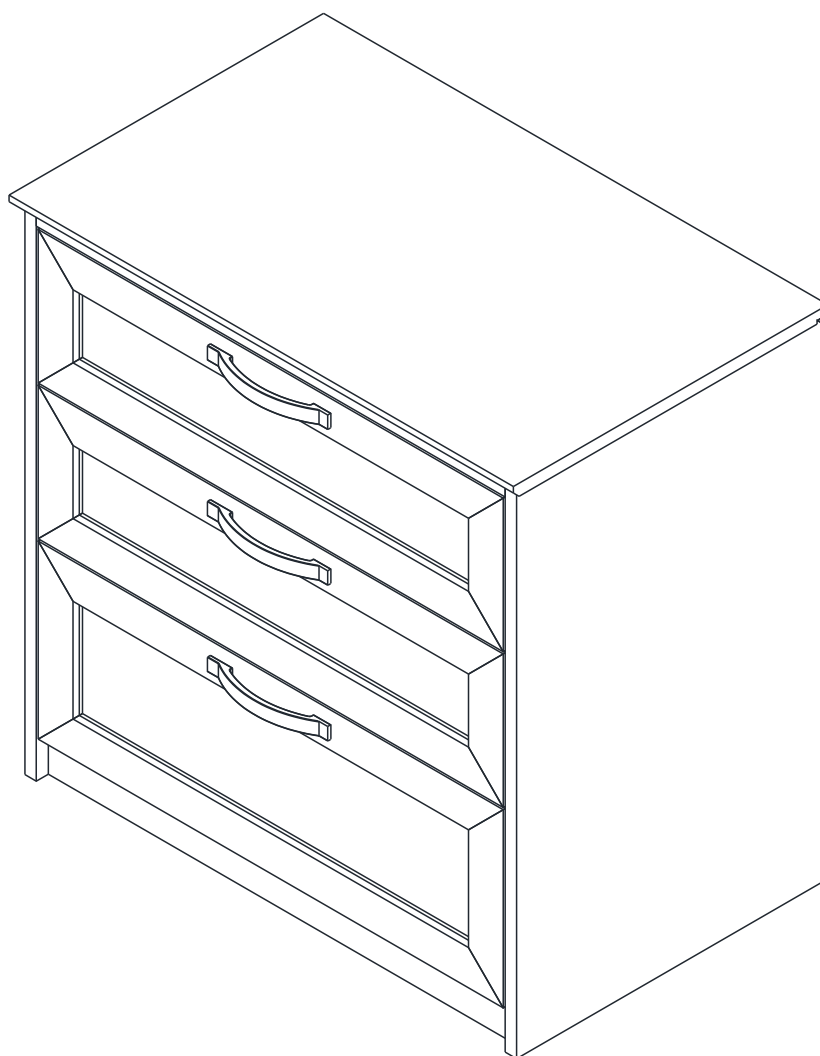
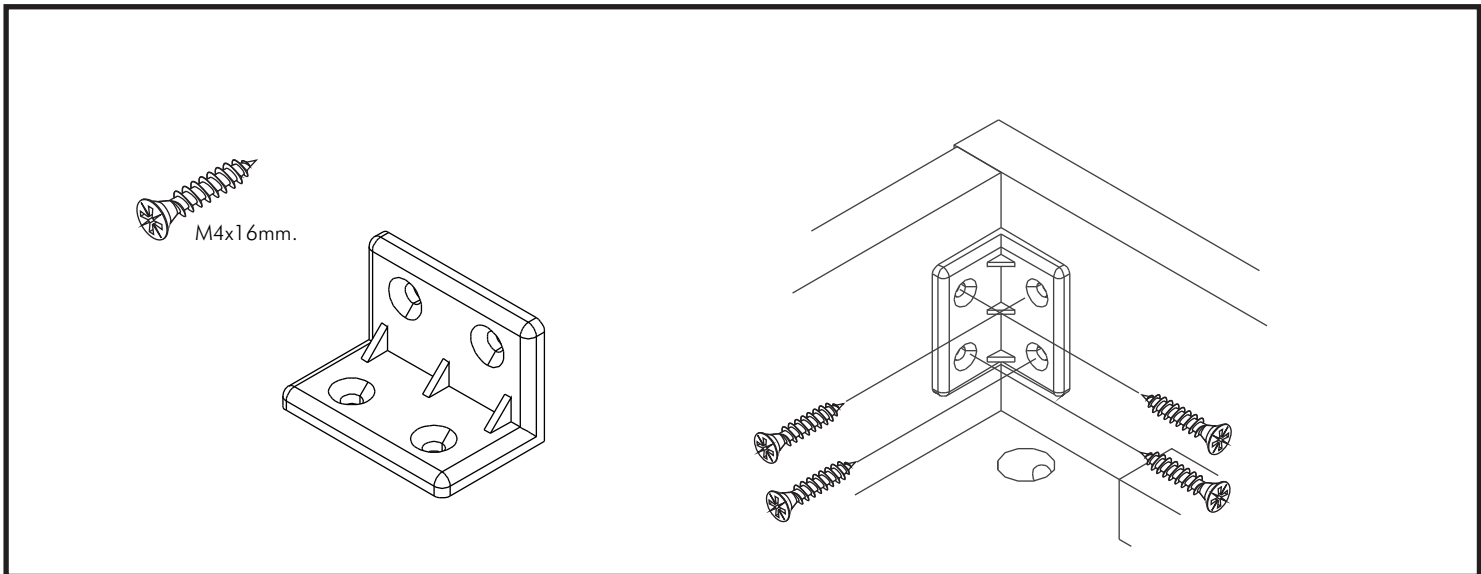
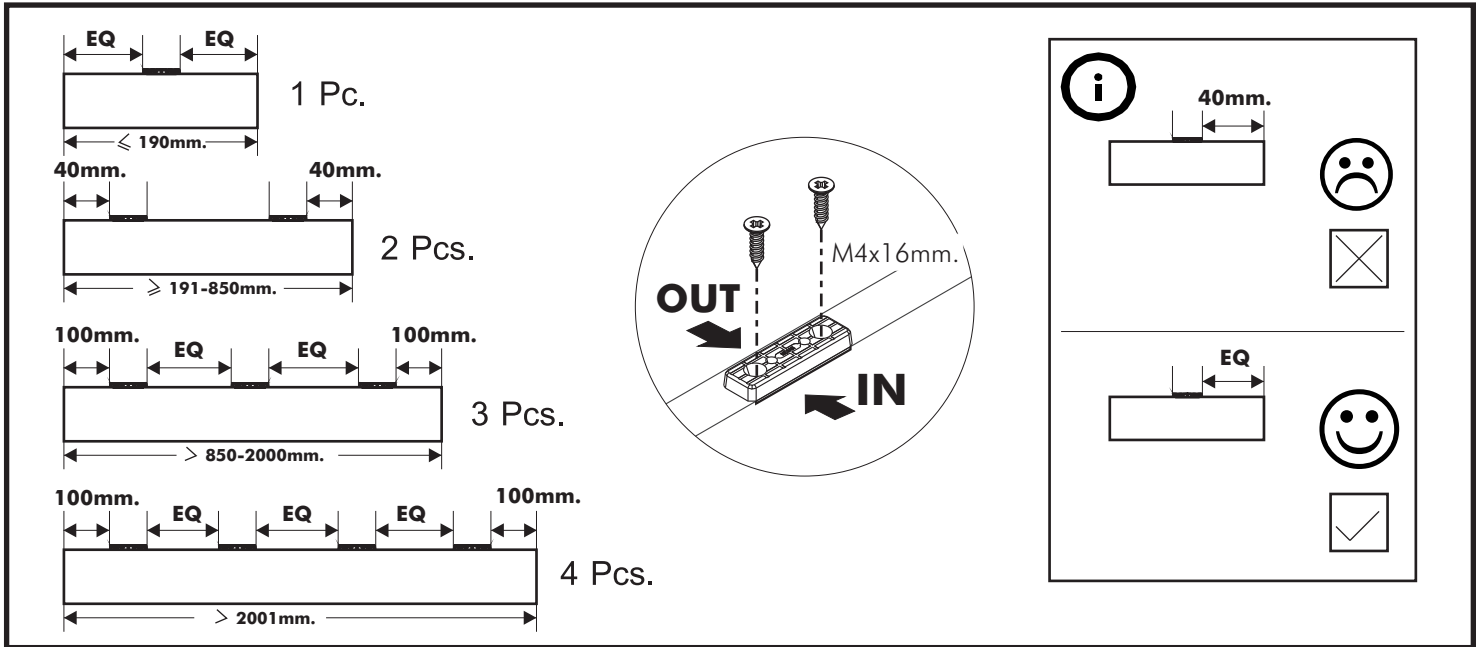
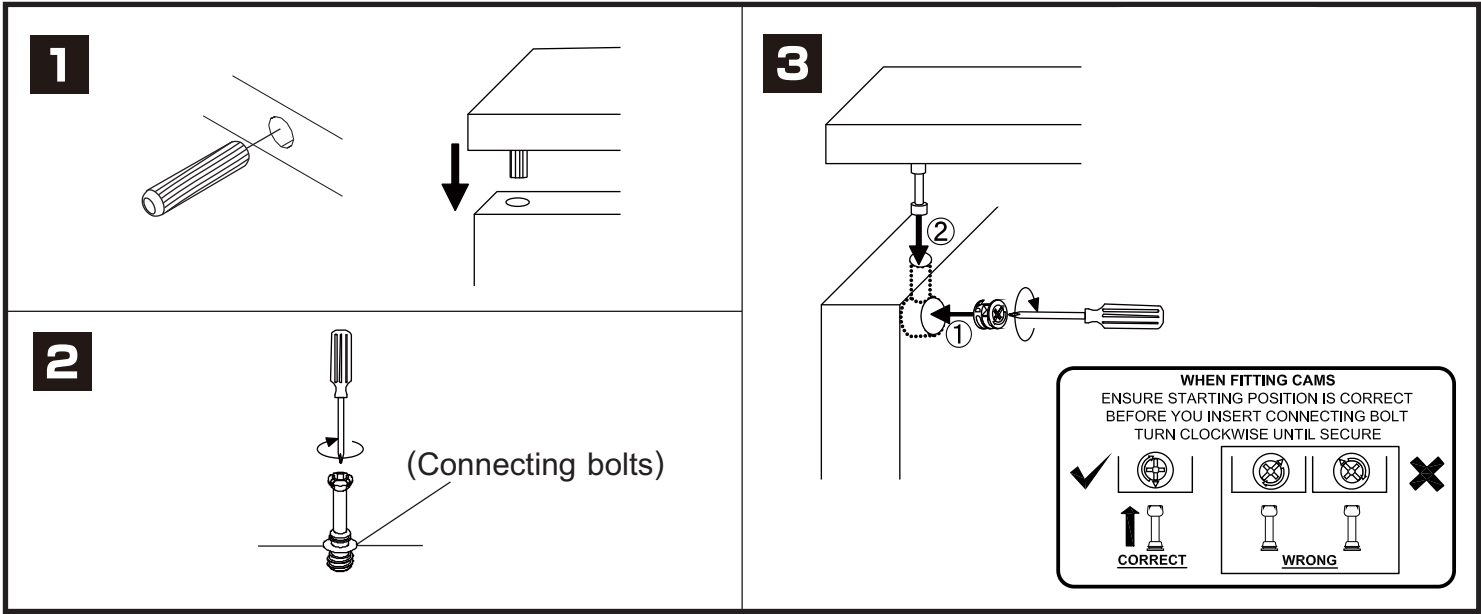


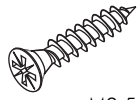
ROME

Chest 3 drawers

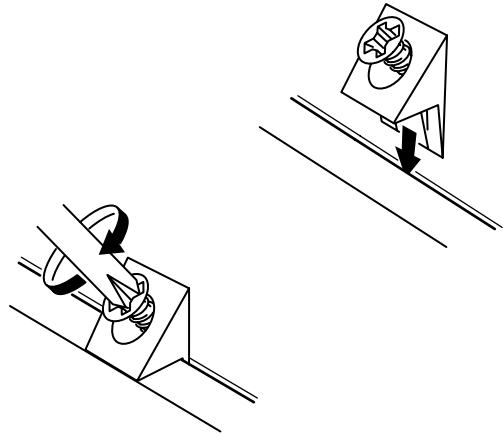
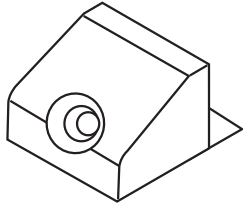


CONNECT SYSTEM

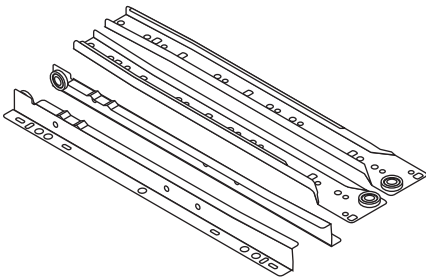
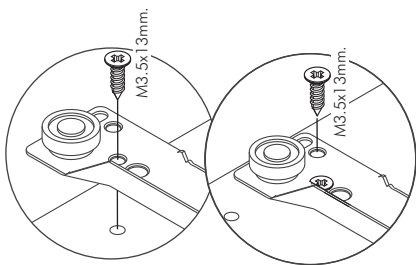




M3.5x20mm.



M3.5x13mm.



28mm.

1

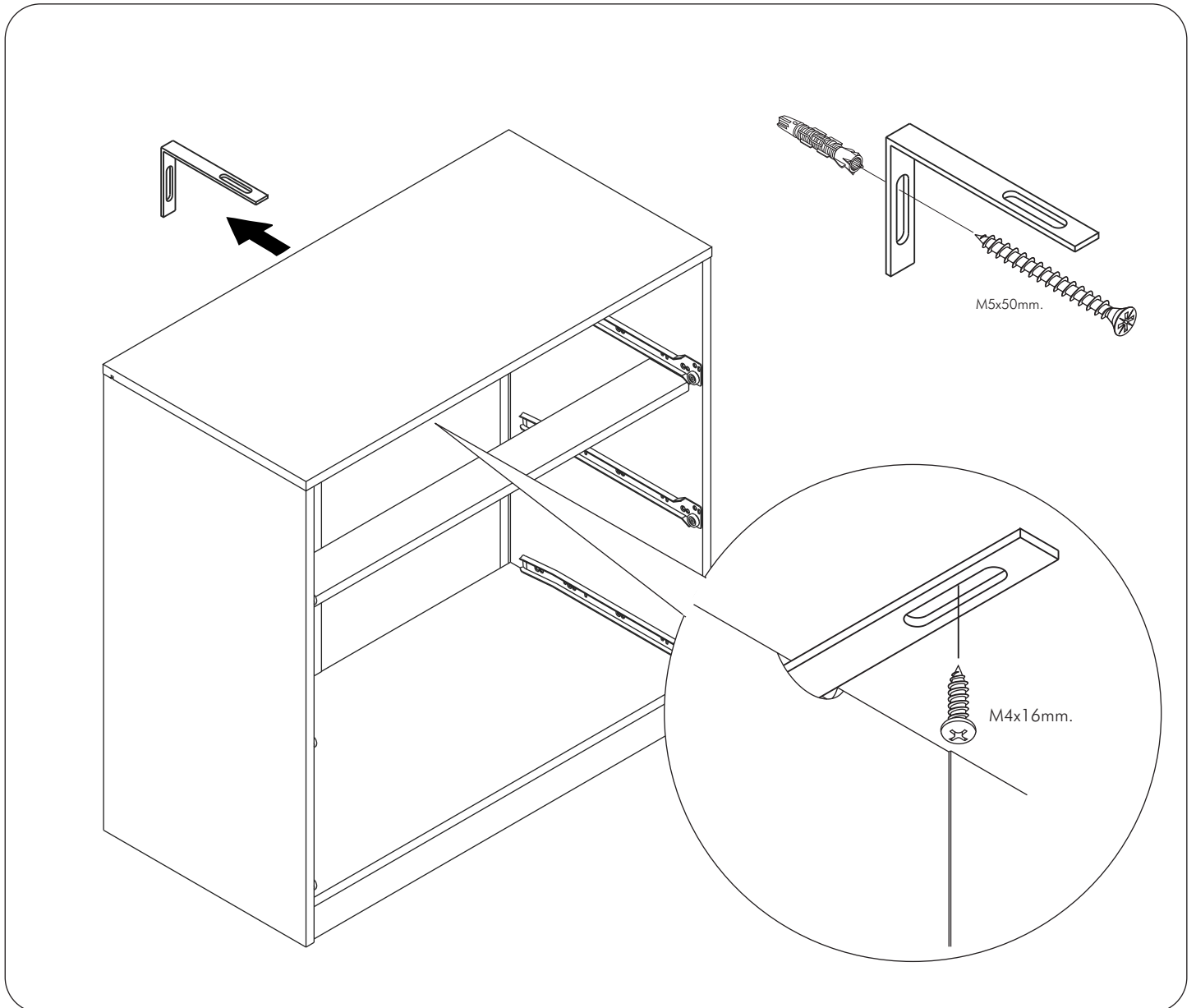
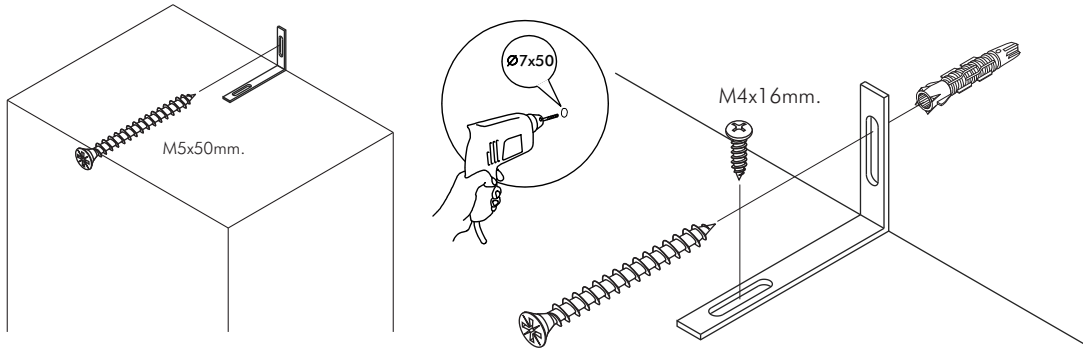
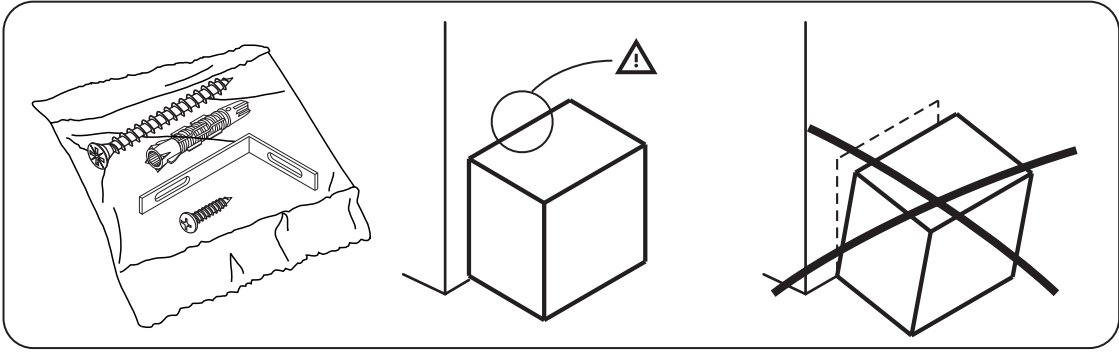


Use these holes

2

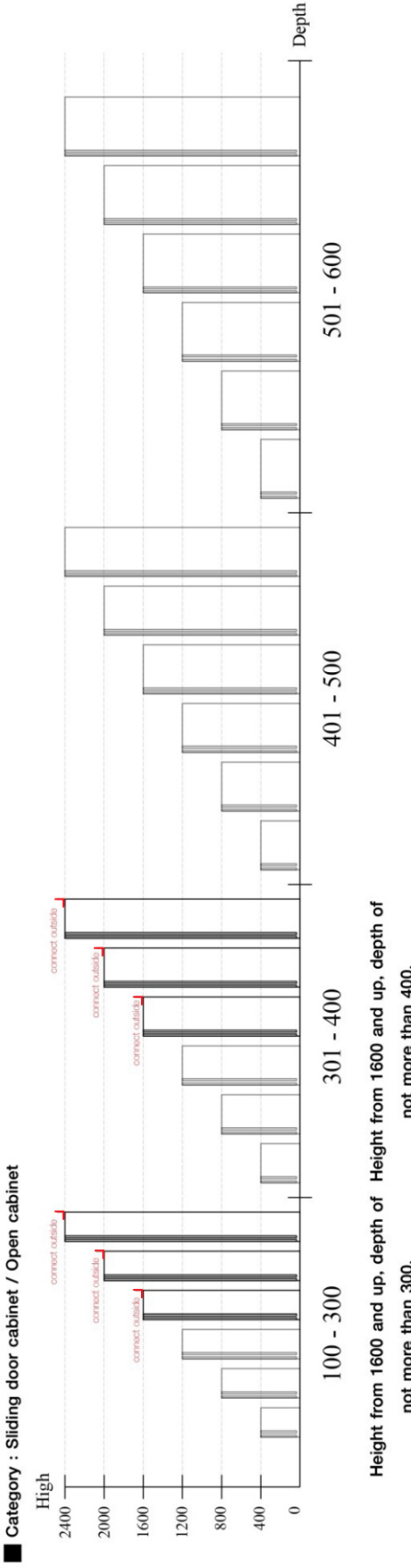
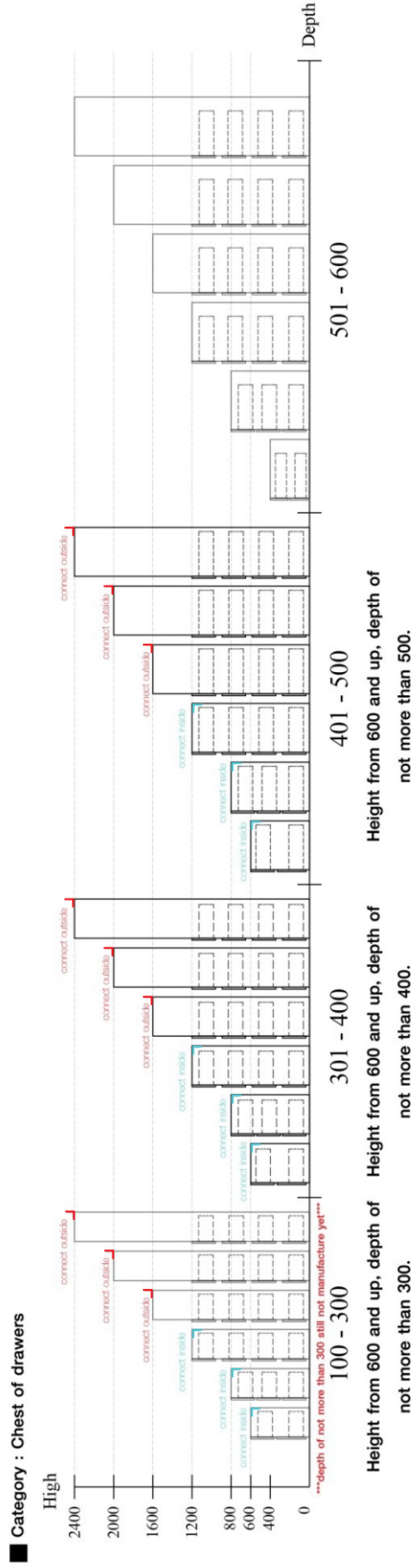
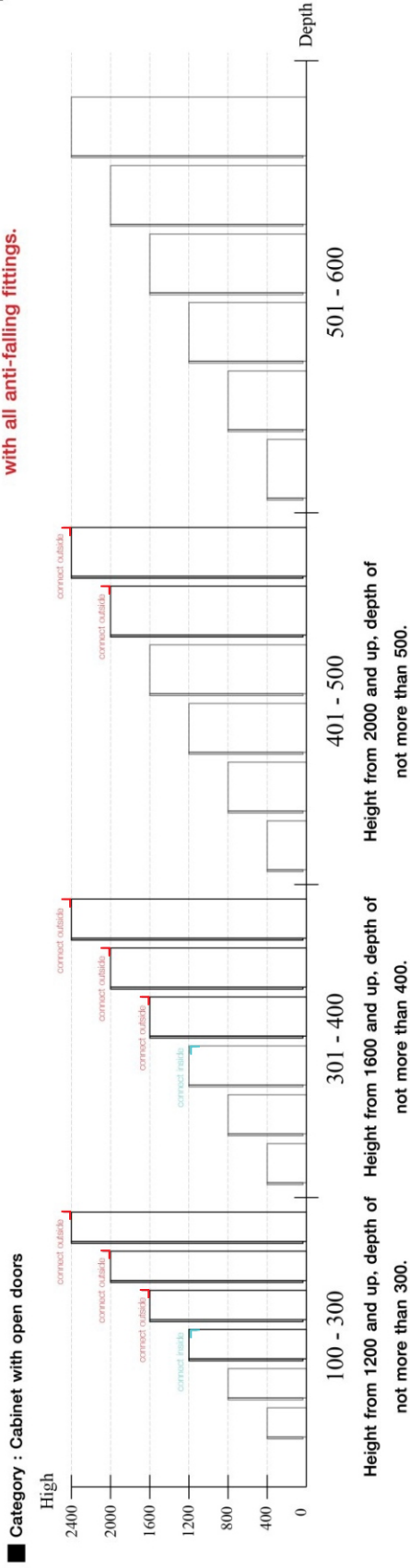
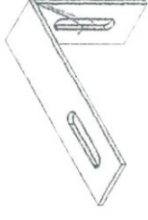


Use these holes



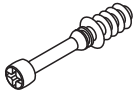
■ The Standard for identifying which mounted safety fall protection fitting to use **Note : That children's products must be installed with all anti-falling fittings.**

■ Mounted fall protection fittings



HARDWARE

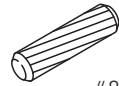
-BODY SET



x 4

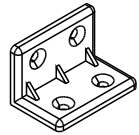


x 4



#8x35

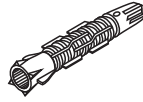
x 16



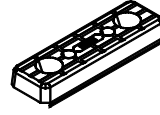
x 12



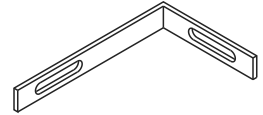
x 6



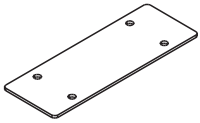
x 1



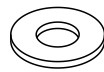
x 8



x 1



x 2

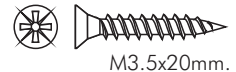


x 3



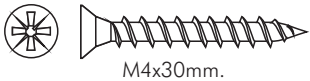
M4x16mm.

x 64



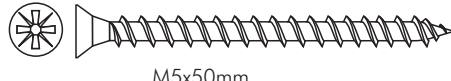
M3.5x20mm.

x 6



M4x30mm.

x 6



M5x50mm.

x 1



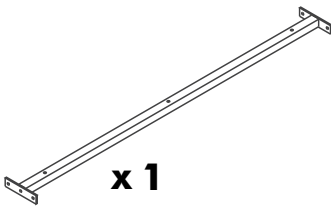
M4x13mm.

x 11



M4x16mm.

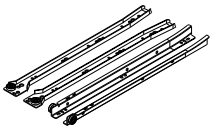
x 8



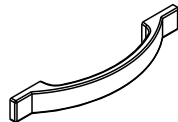
x 1

HARDWARE

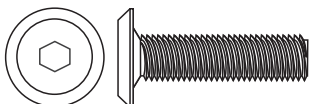
-DRAWER SET



x 3 Set



x 3



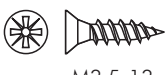
M6x23mm.

x 8



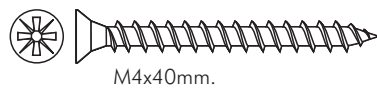
M4x22mm.

x 6



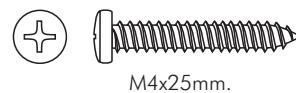
M3.5x13mm.

x 42



M4x40mm.

x 30



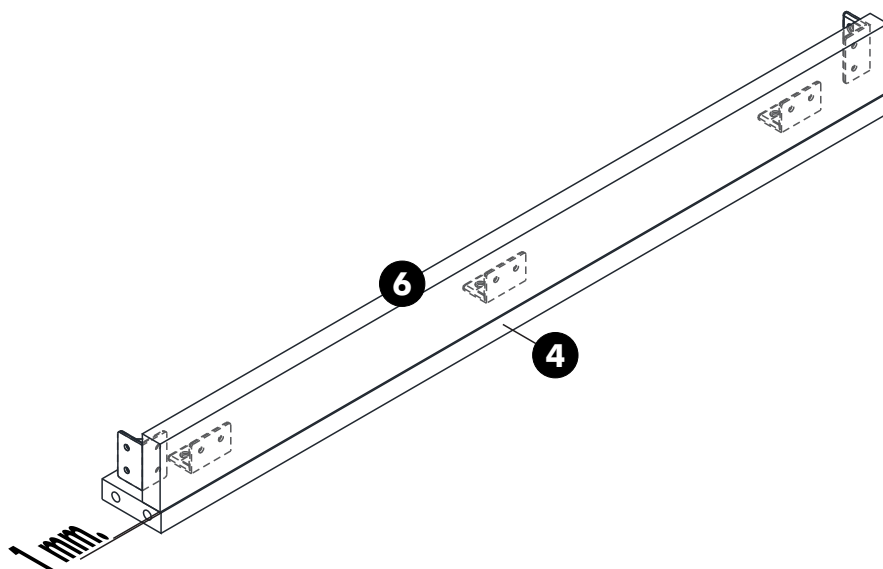
M4x25mm.

x 6

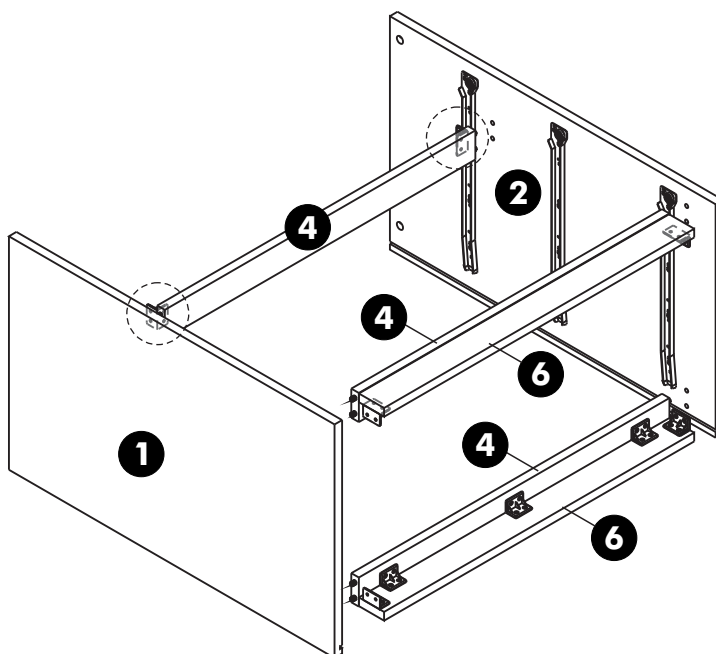
ASSEMBLY

-BODY SET

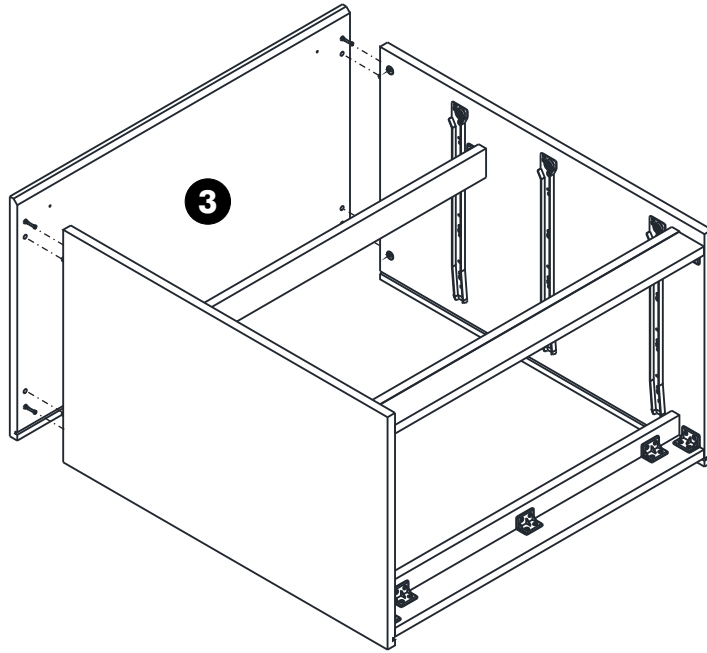
1. x 2 Set



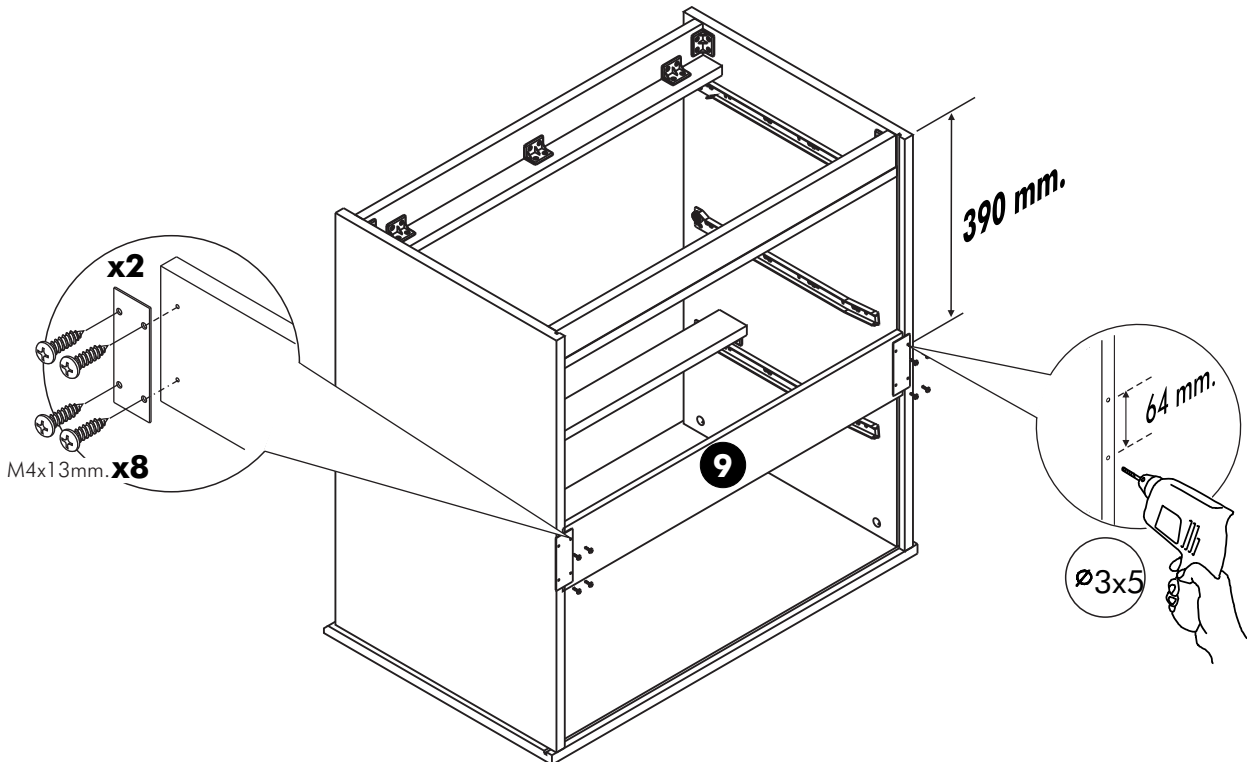
2.



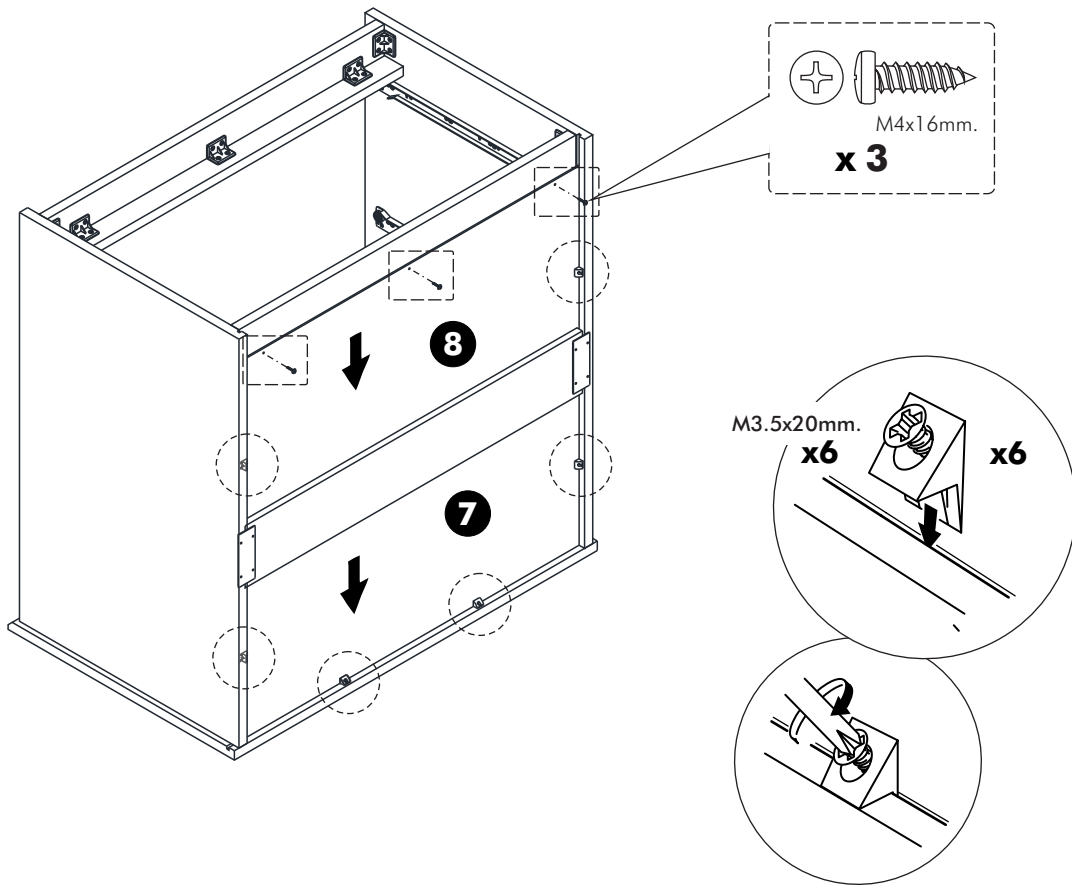
3.



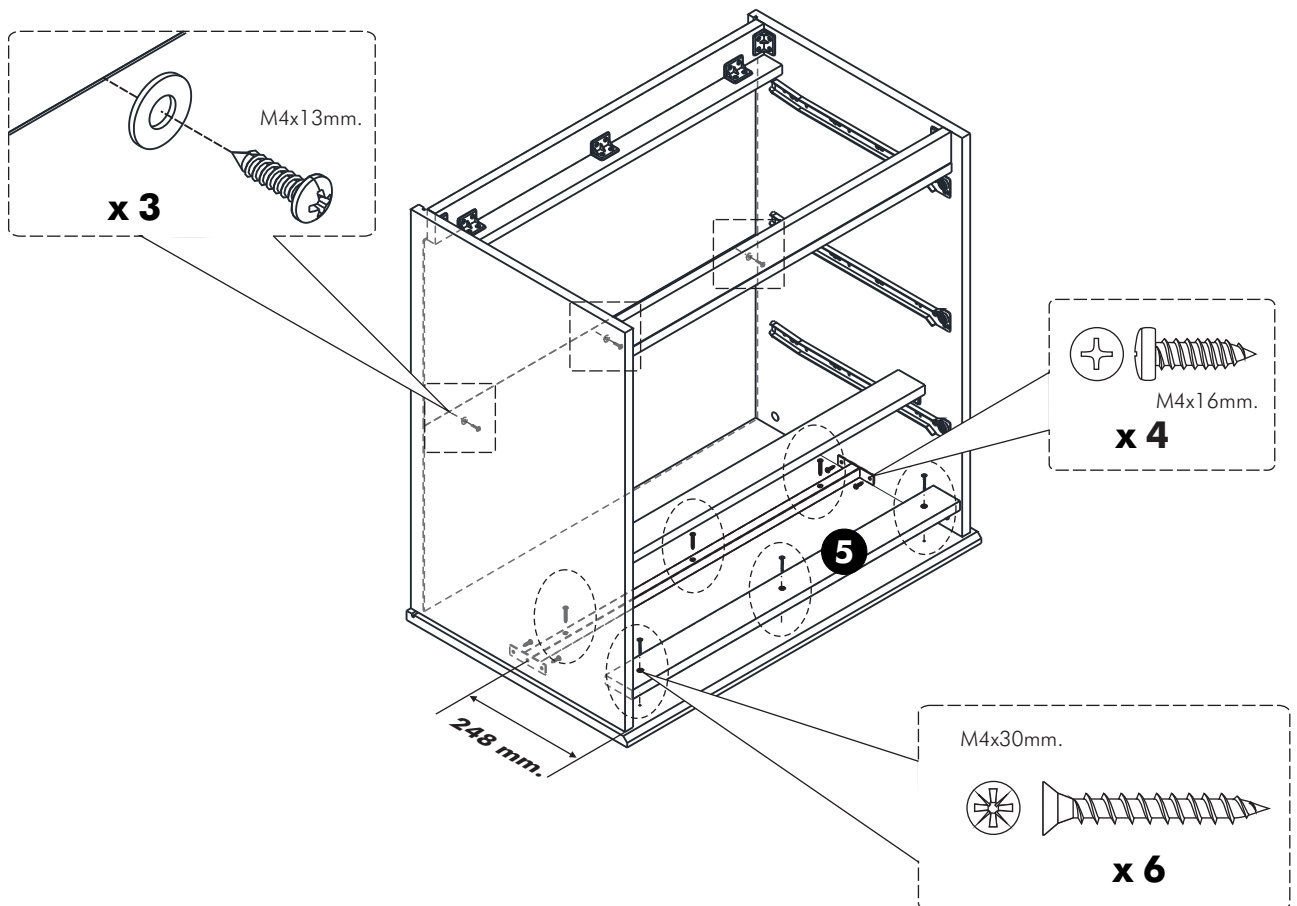
4.



5.



6.

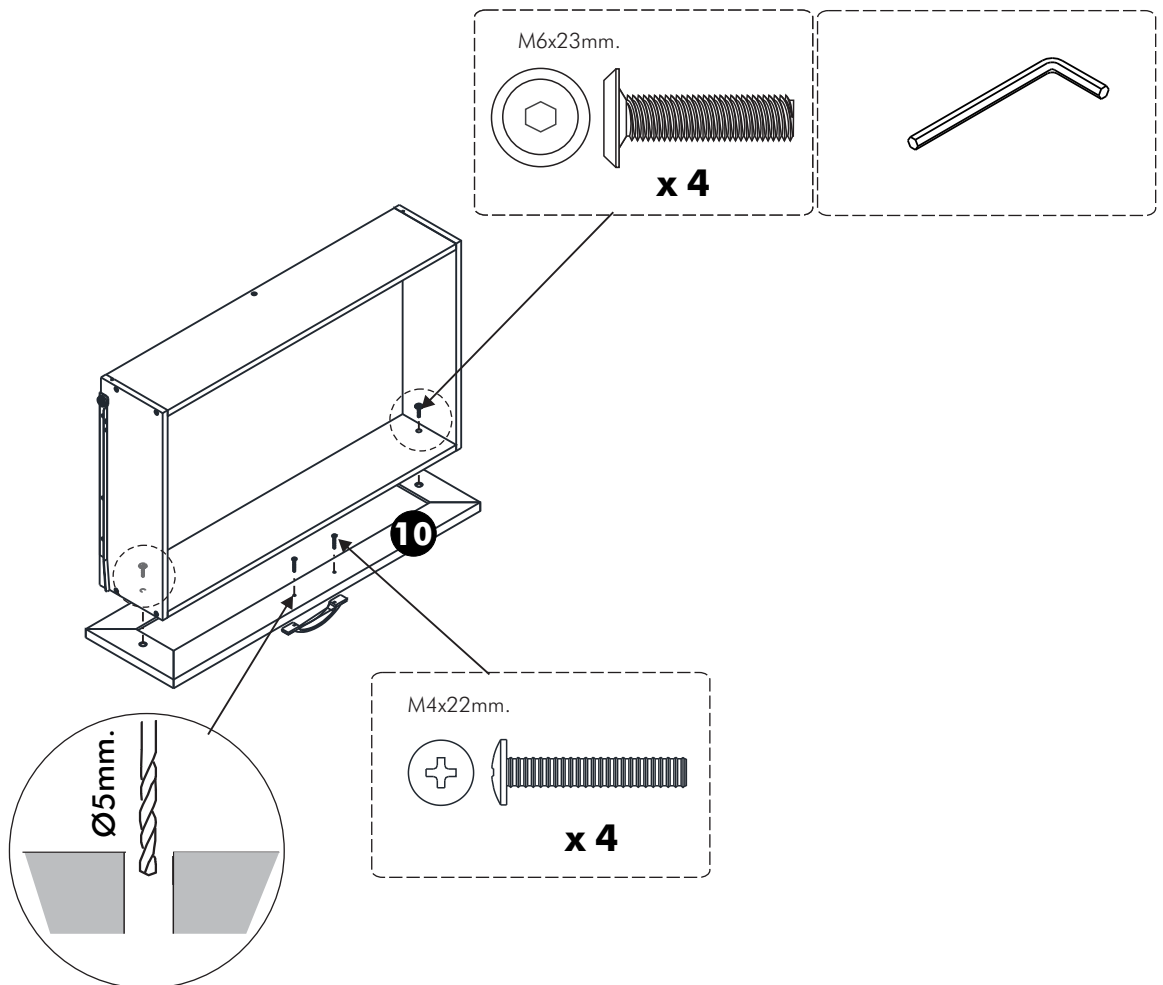
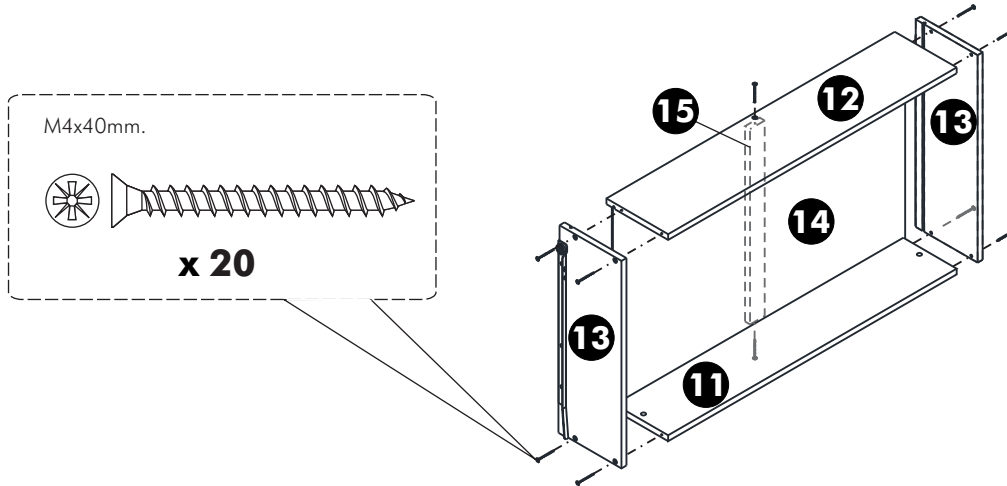


ASSEMBLY

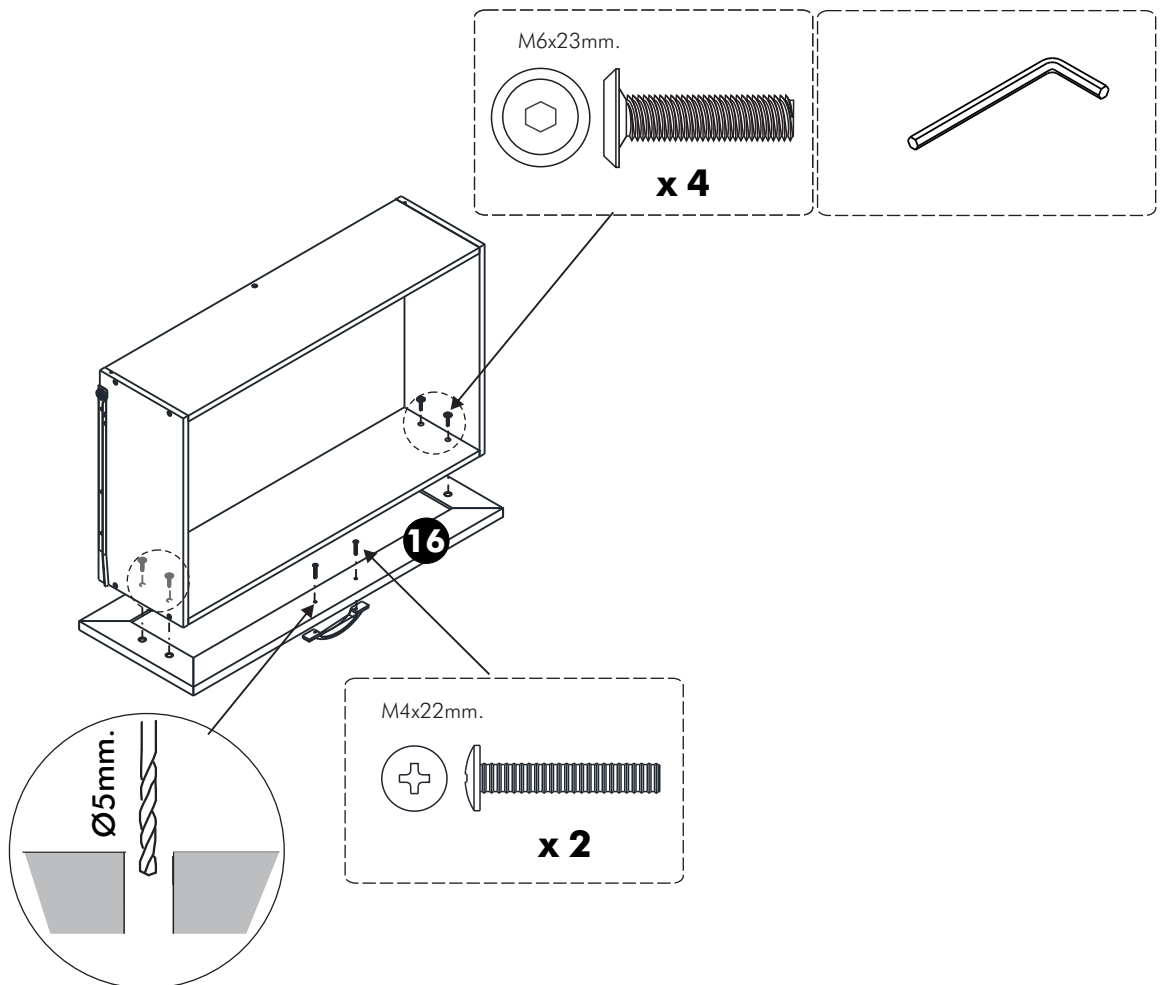
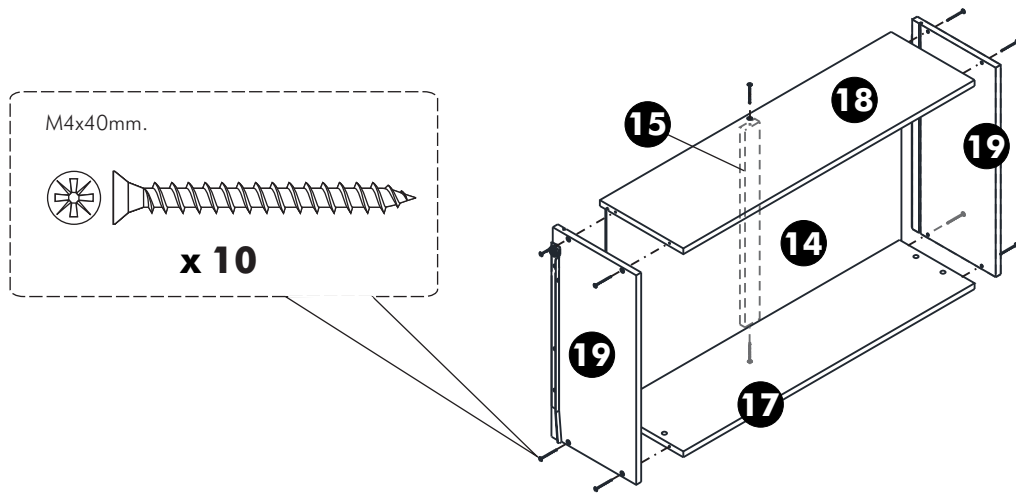
-DRAWER SET

x 2 Set

1.



2.



3.

