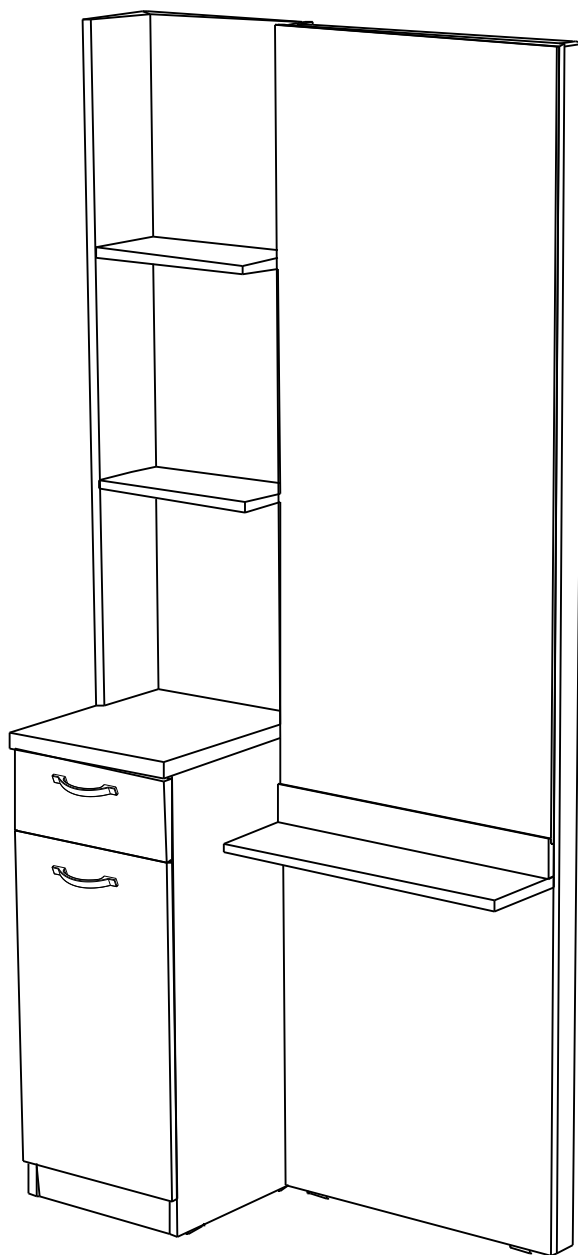
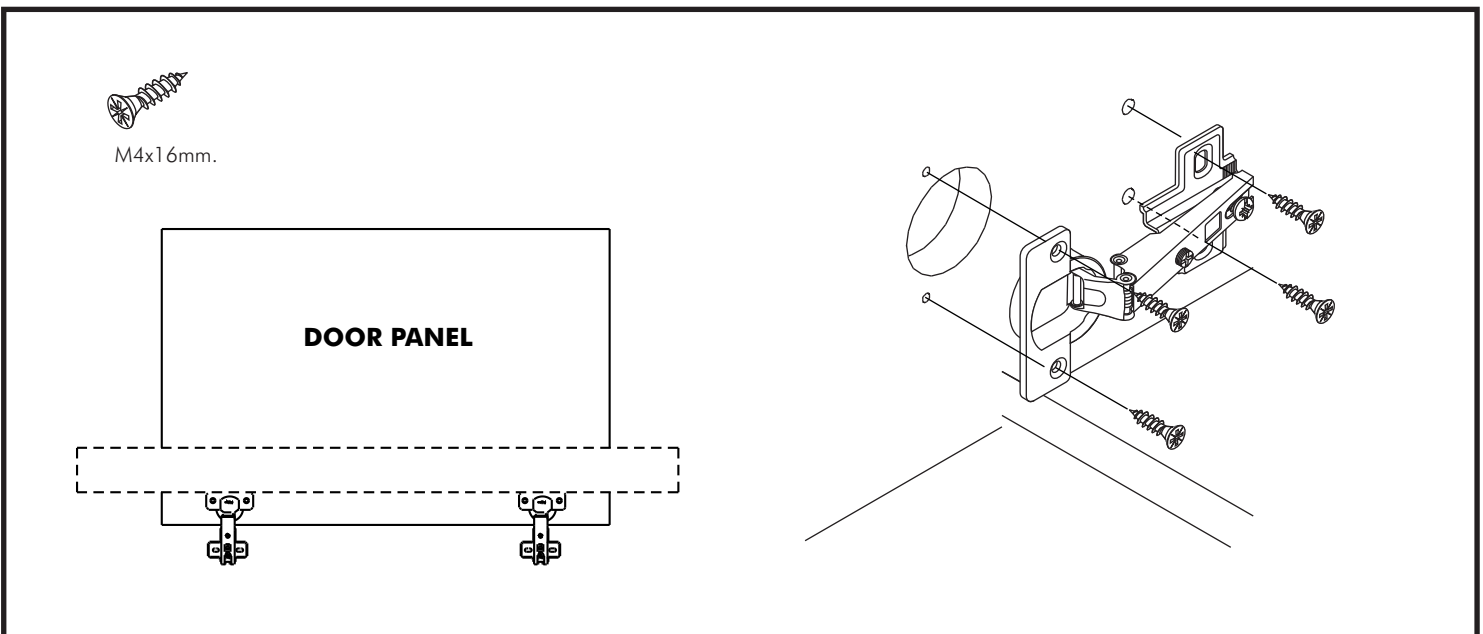
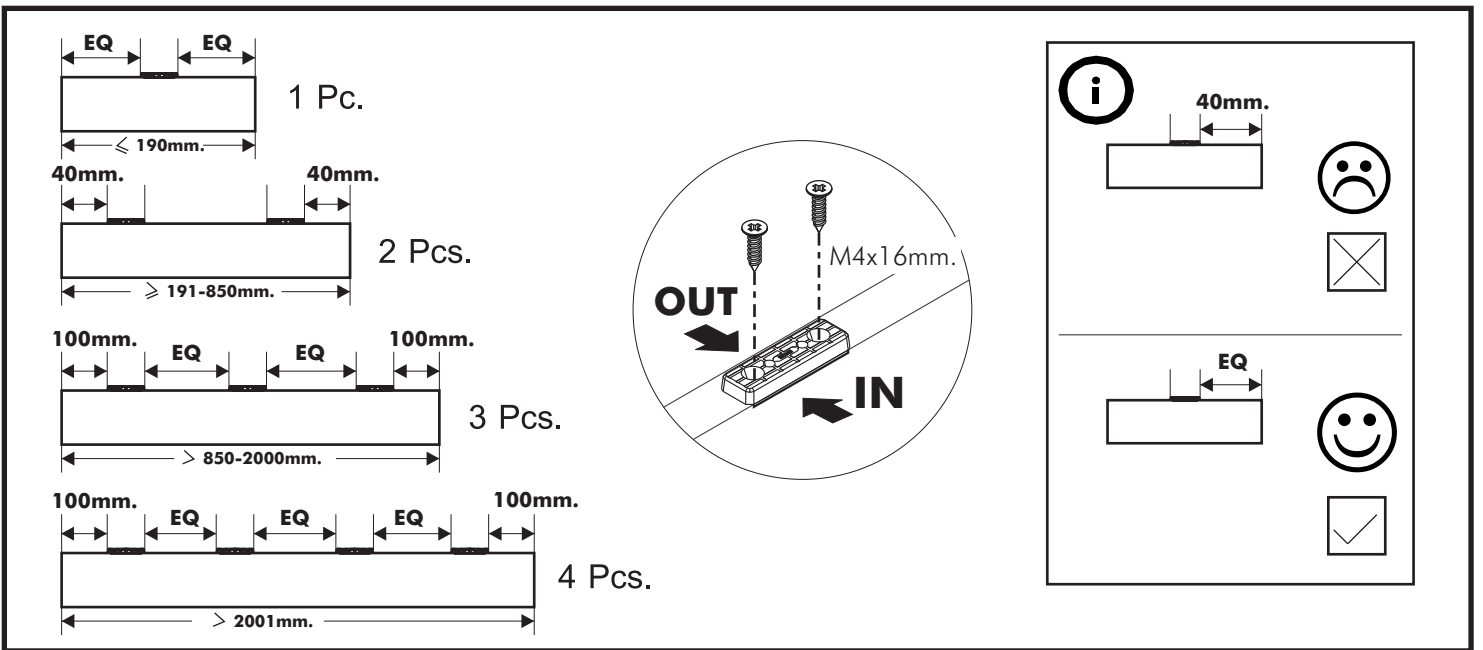
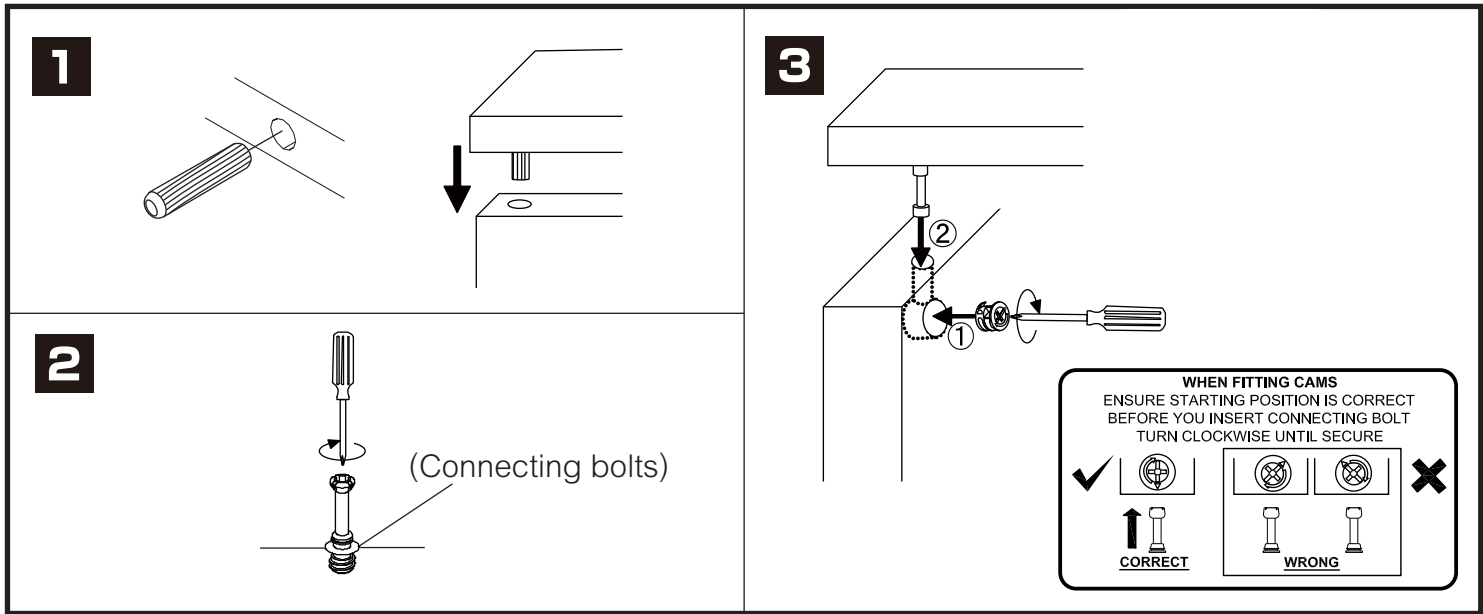


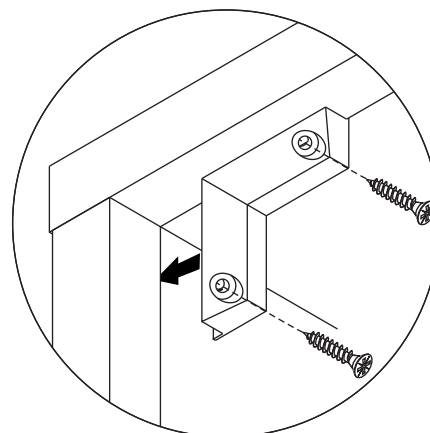
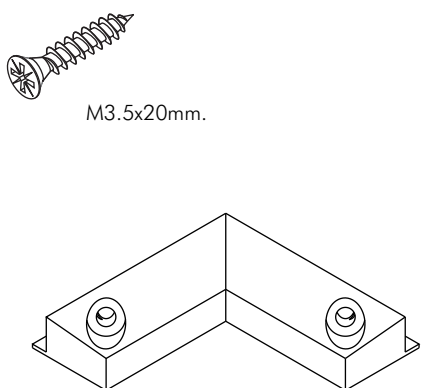
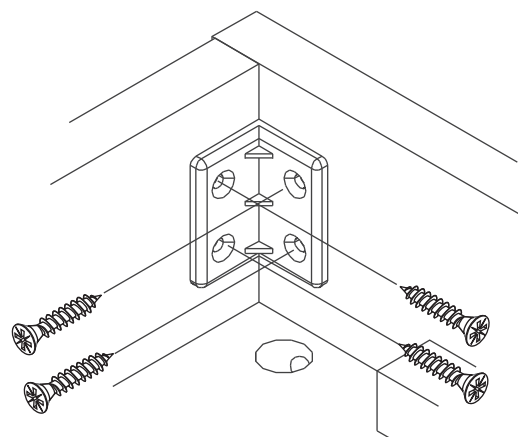
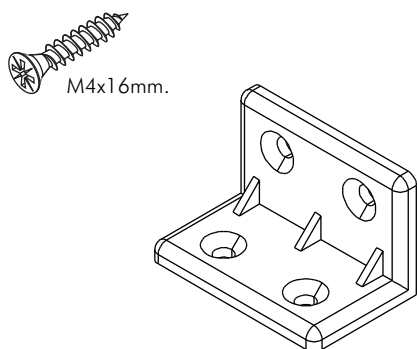
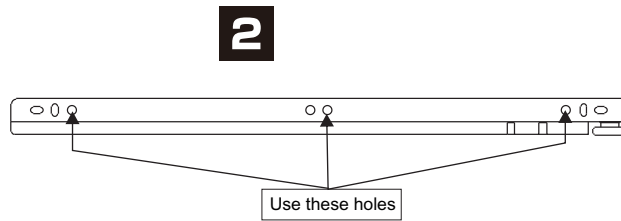
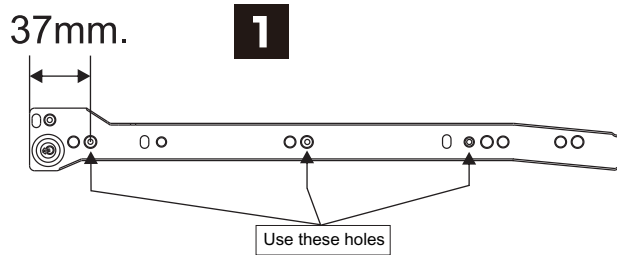
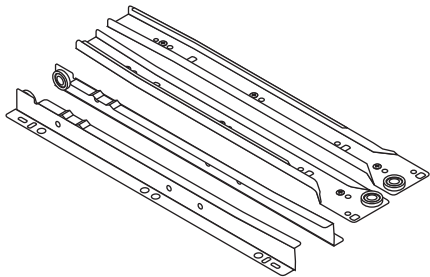
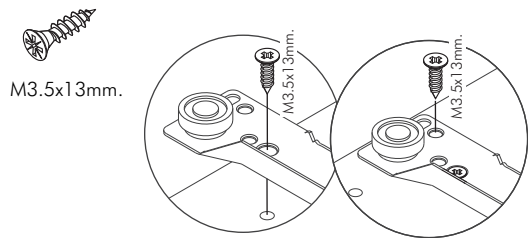
ROME

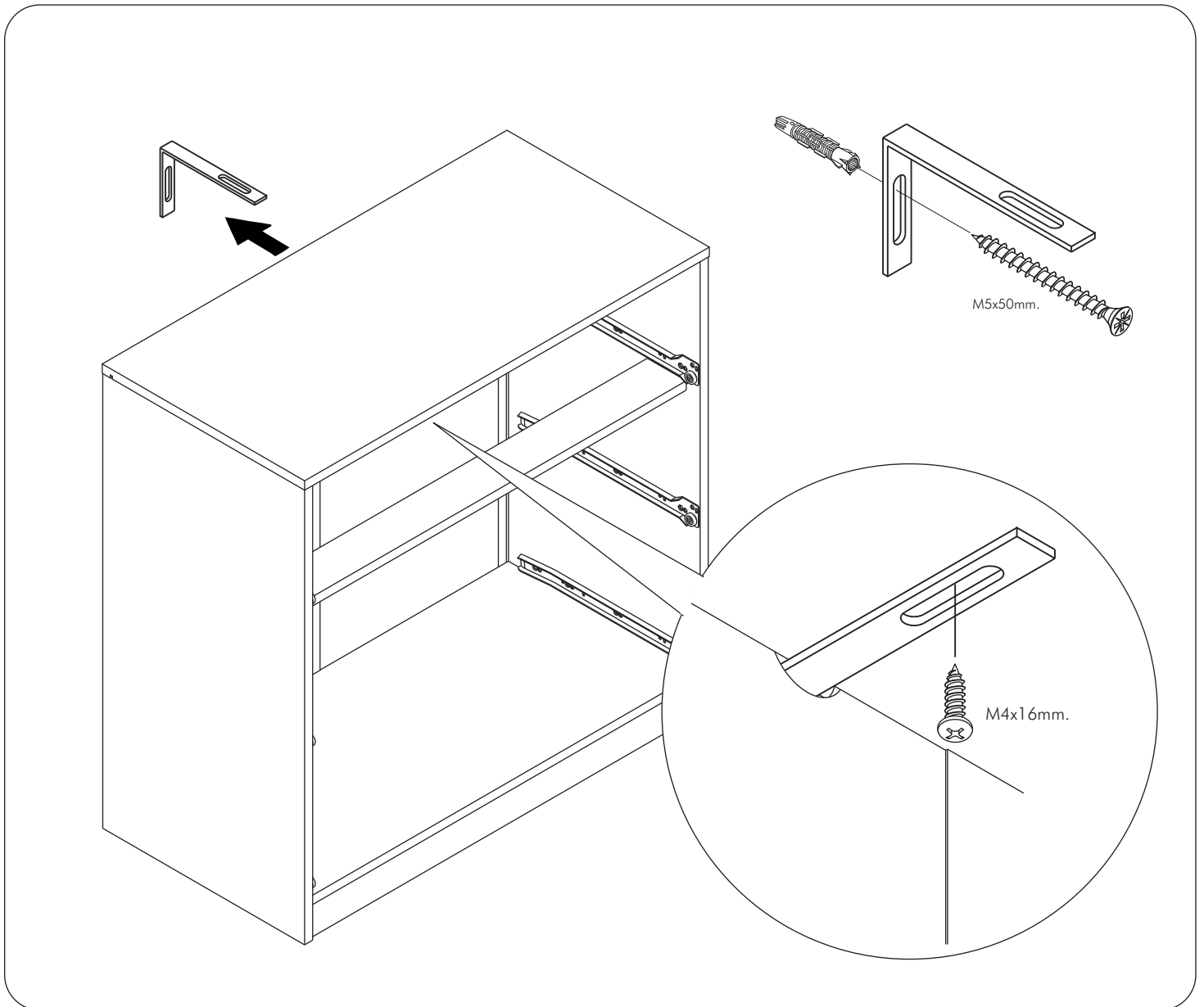
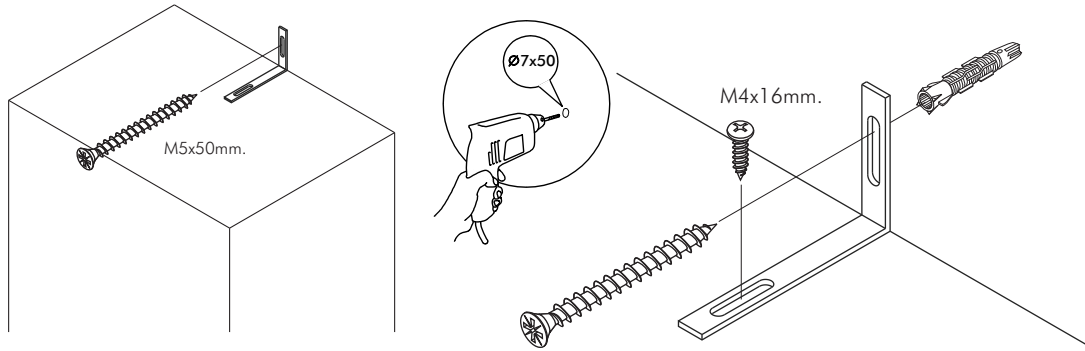
Dressing table



CONNECT SYSTEM

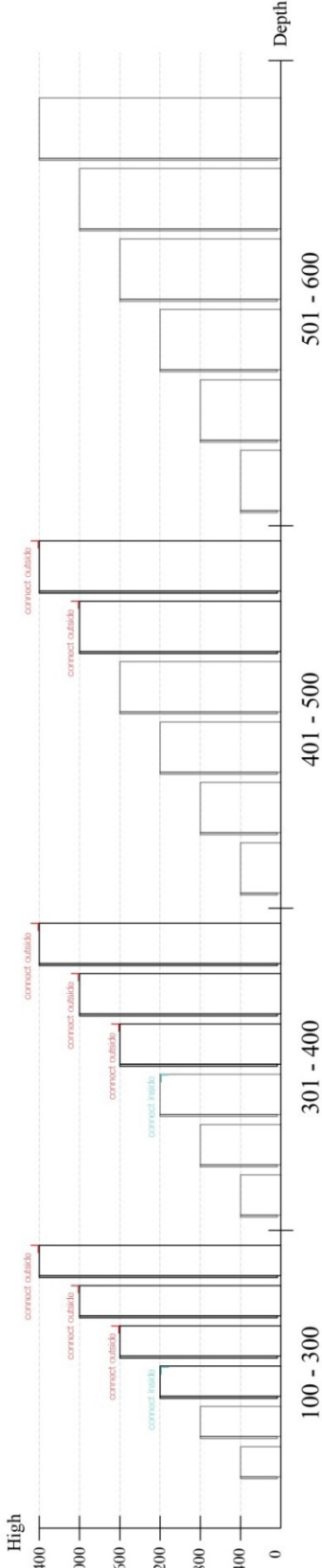
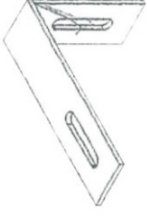






■ The Standard for identifying which mounted safety fall protection fitting to use **Note : That children's products must be installed with all anti-falling fittings.**

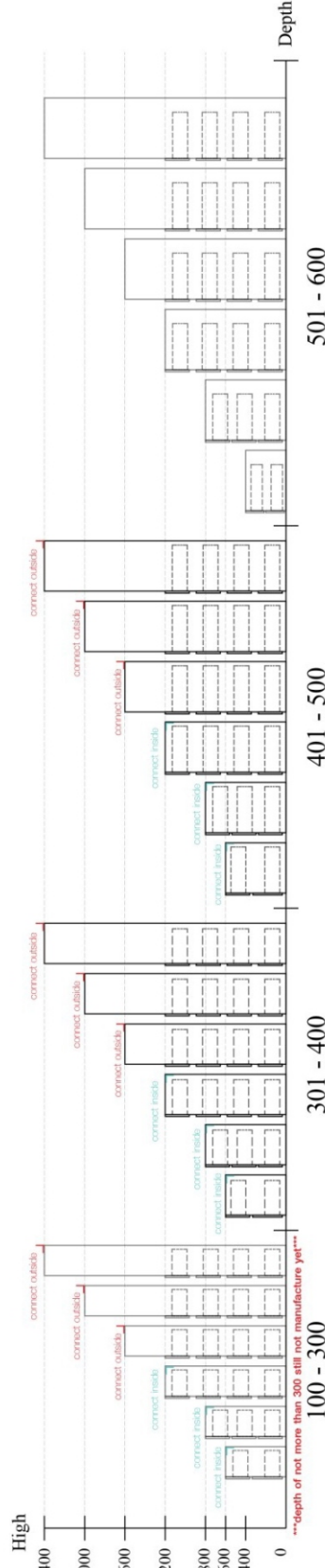
■ Mounted fall protection fittings



Height from 1200 and up, depth of Height from 2000 and up, depth of not more than 500.

Height from 1600 and up, depth of not more than 400.

■ Category : Chest of drawers

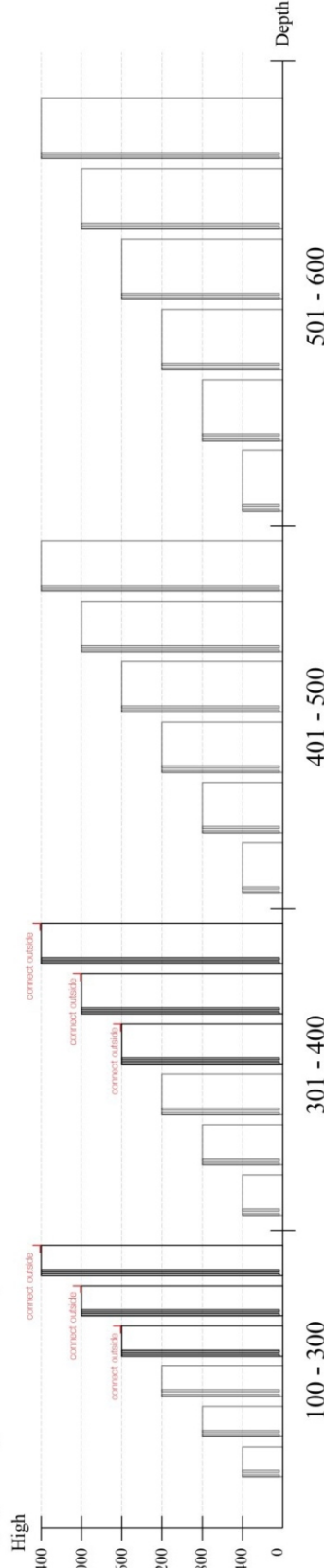


Height from 600 and up, depth of not more than 300.

Height from 600 and up, depth of not more than 400.

Height from 600 and up, depth of not more than 500.

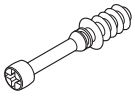
■ Category : Sliding door cabinet / Open cabinet



Height from 1600 and up, depth of not more than 300.

HARDWARE

-BODY SET

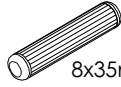


X 12



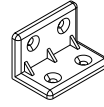
#19mm.

X 12



8x35mm.

X 18



X 6



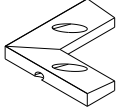
#M4x16(F)

X 52



#M4x16(P)

X 3

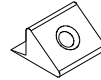


X 2

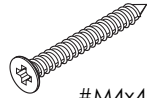


#M3.5x20(F)

X 8

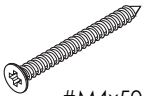


X 4



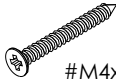
#M4x40(F)

X 13



#M4x50(F)

X 2



#M4x35(F)

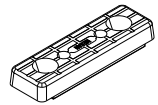
X 6



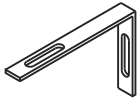
X 4



X 2



X 10

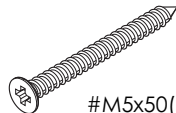


X 1



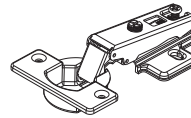
#UP-745

X 1

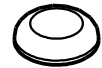


#M5x50(F)

X 1

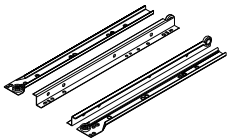


X 2

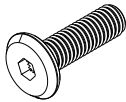


X 2

-DRAWER SET



X 1set



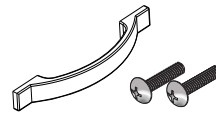
#M6x23

X 2



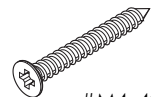
#M3.5x13(F)

X 14



#M4x22

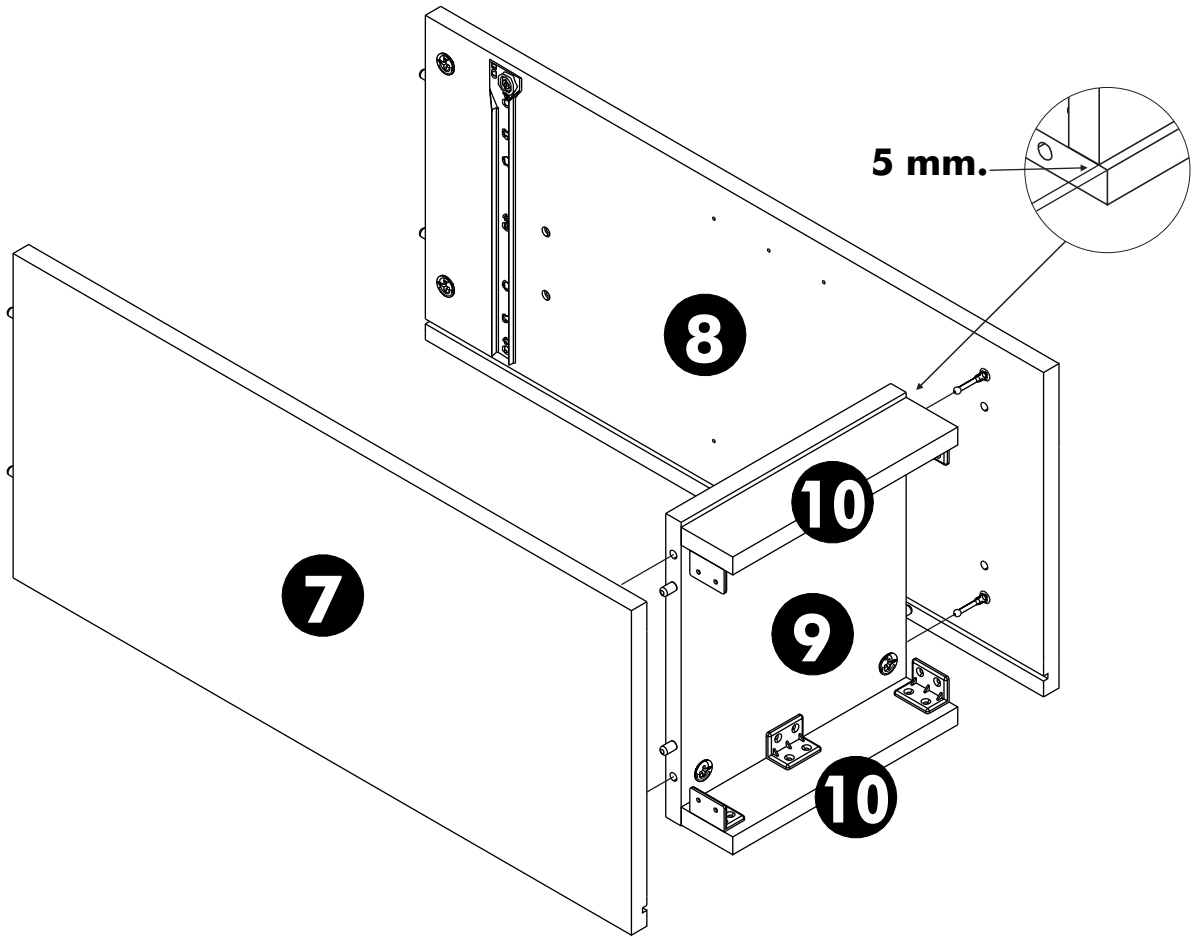
X 2/4



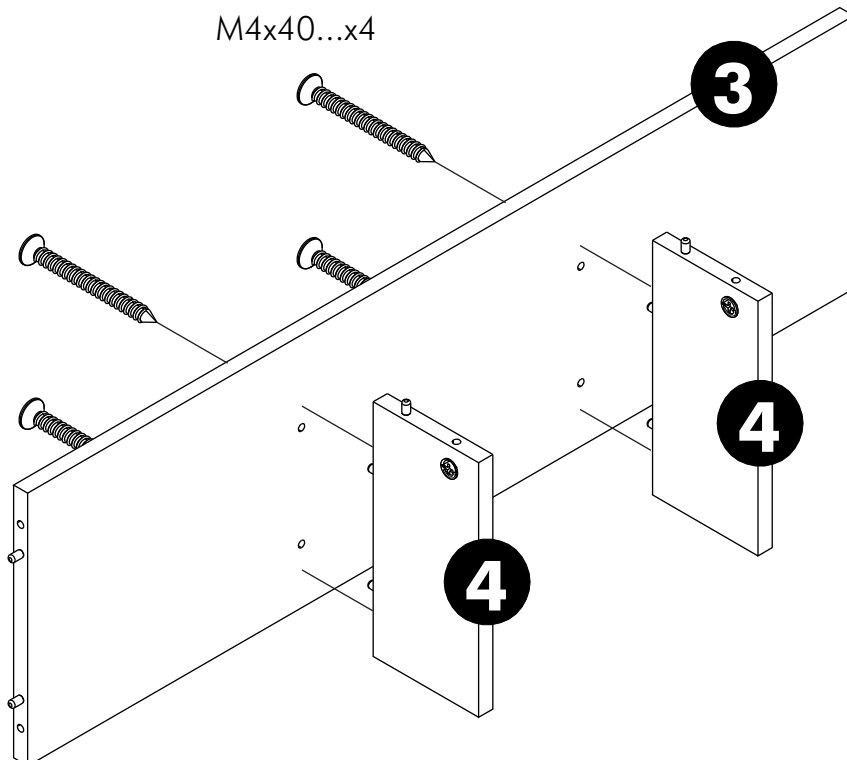
#M4x40(F)

X 8

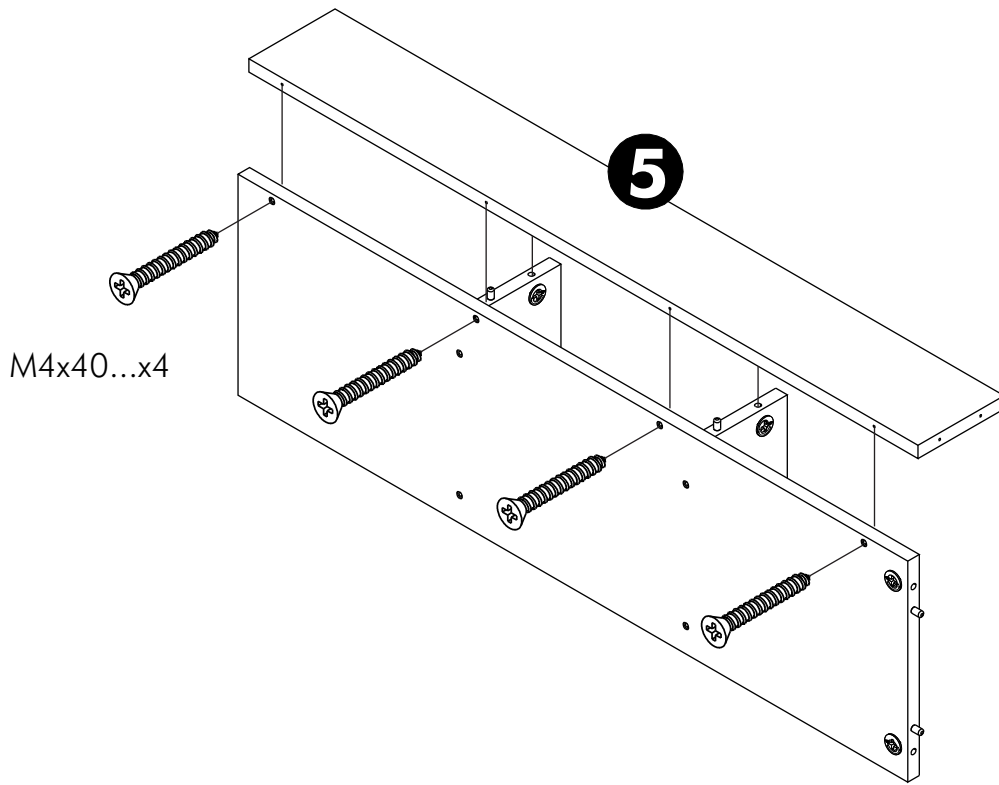
1.



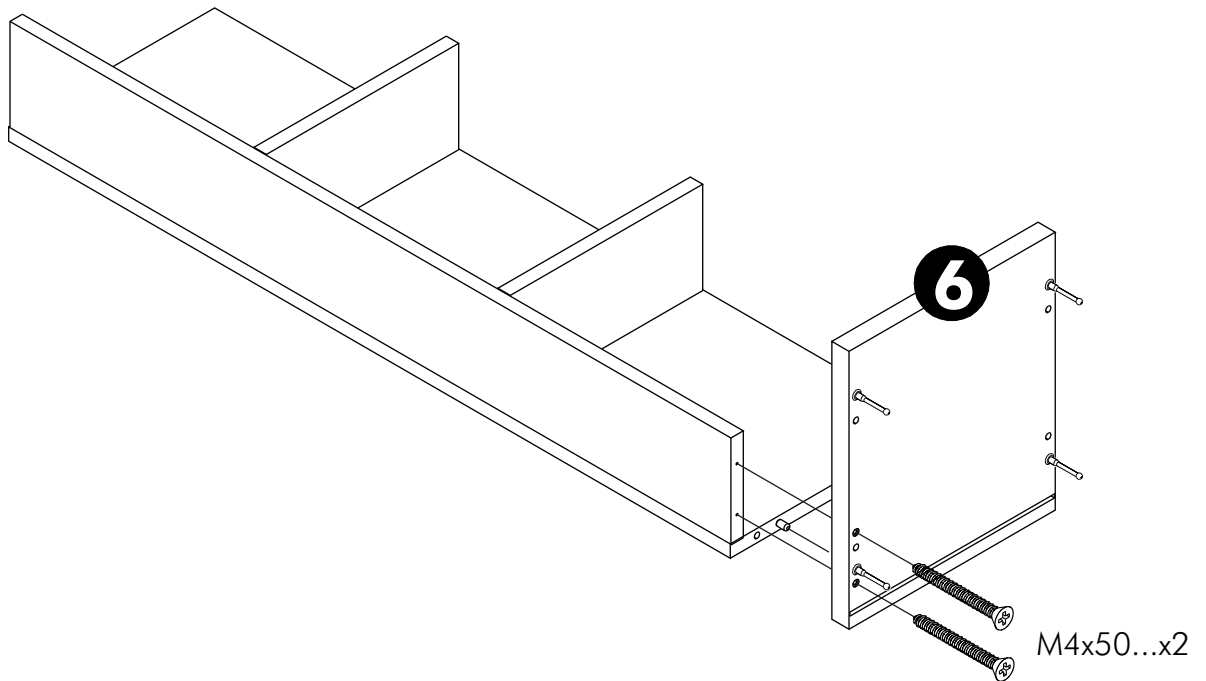
2.



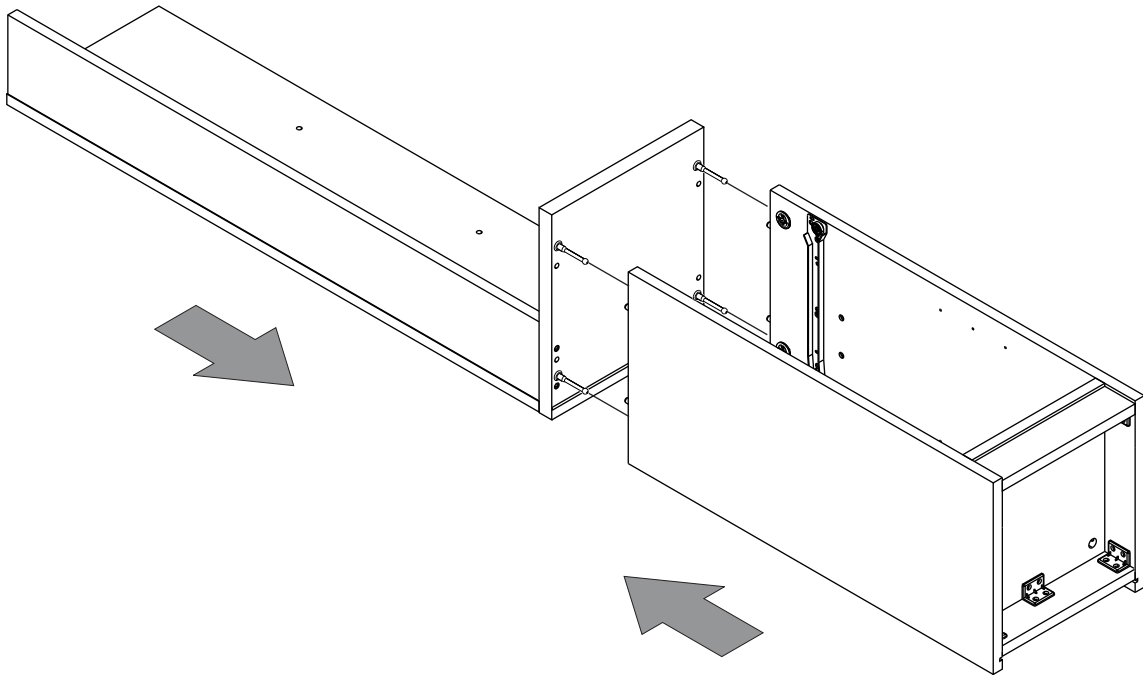
3.



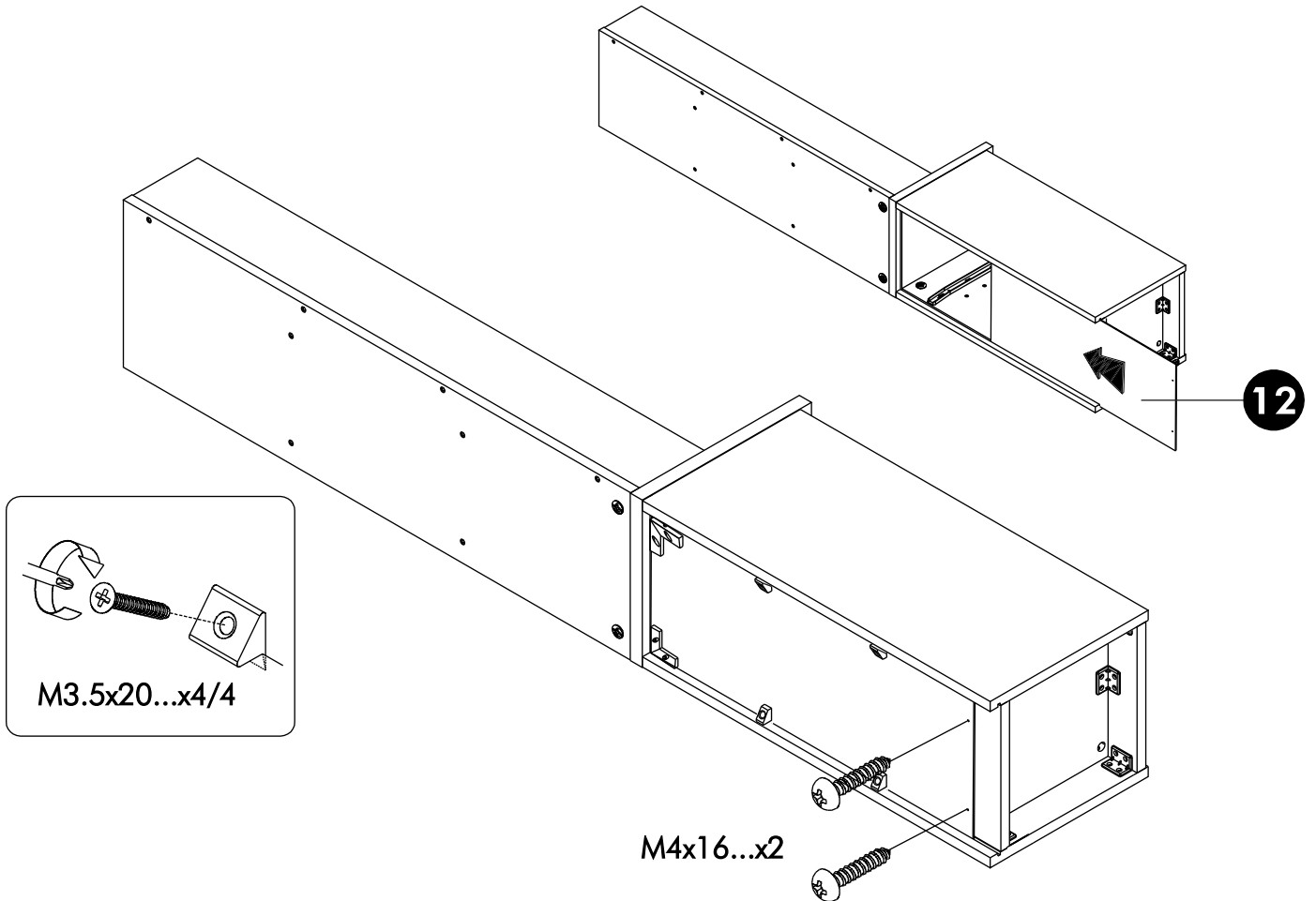
4.



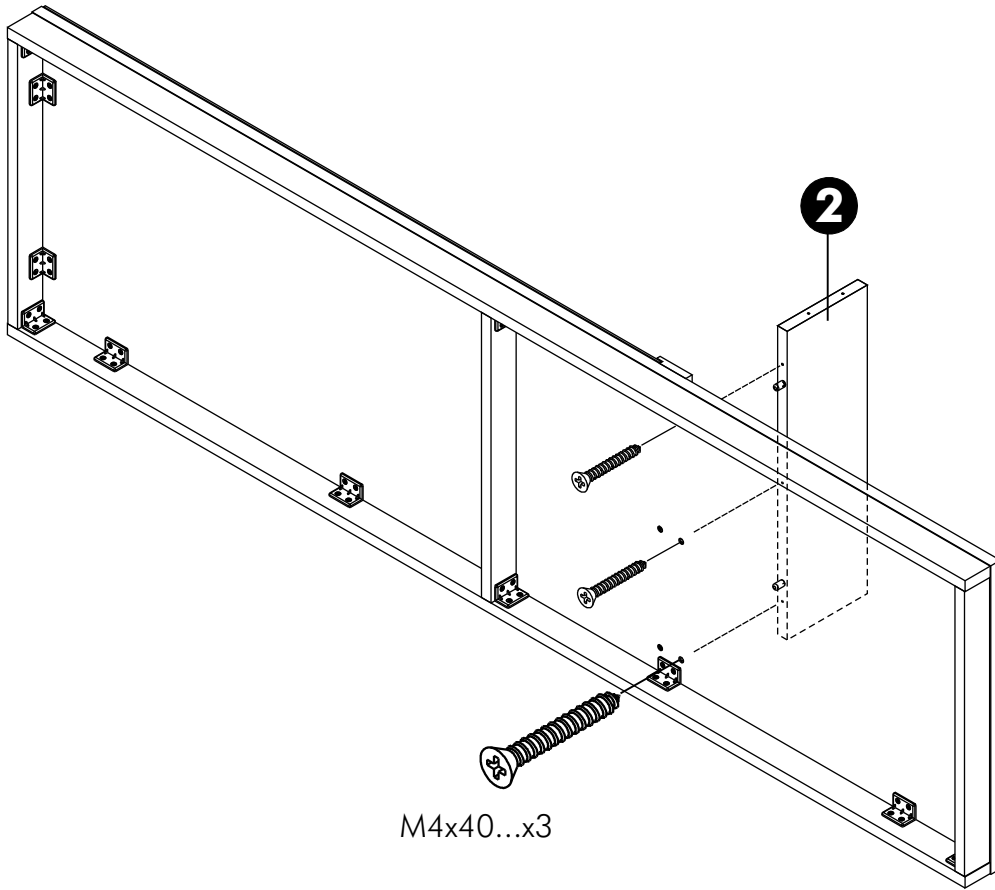
5.



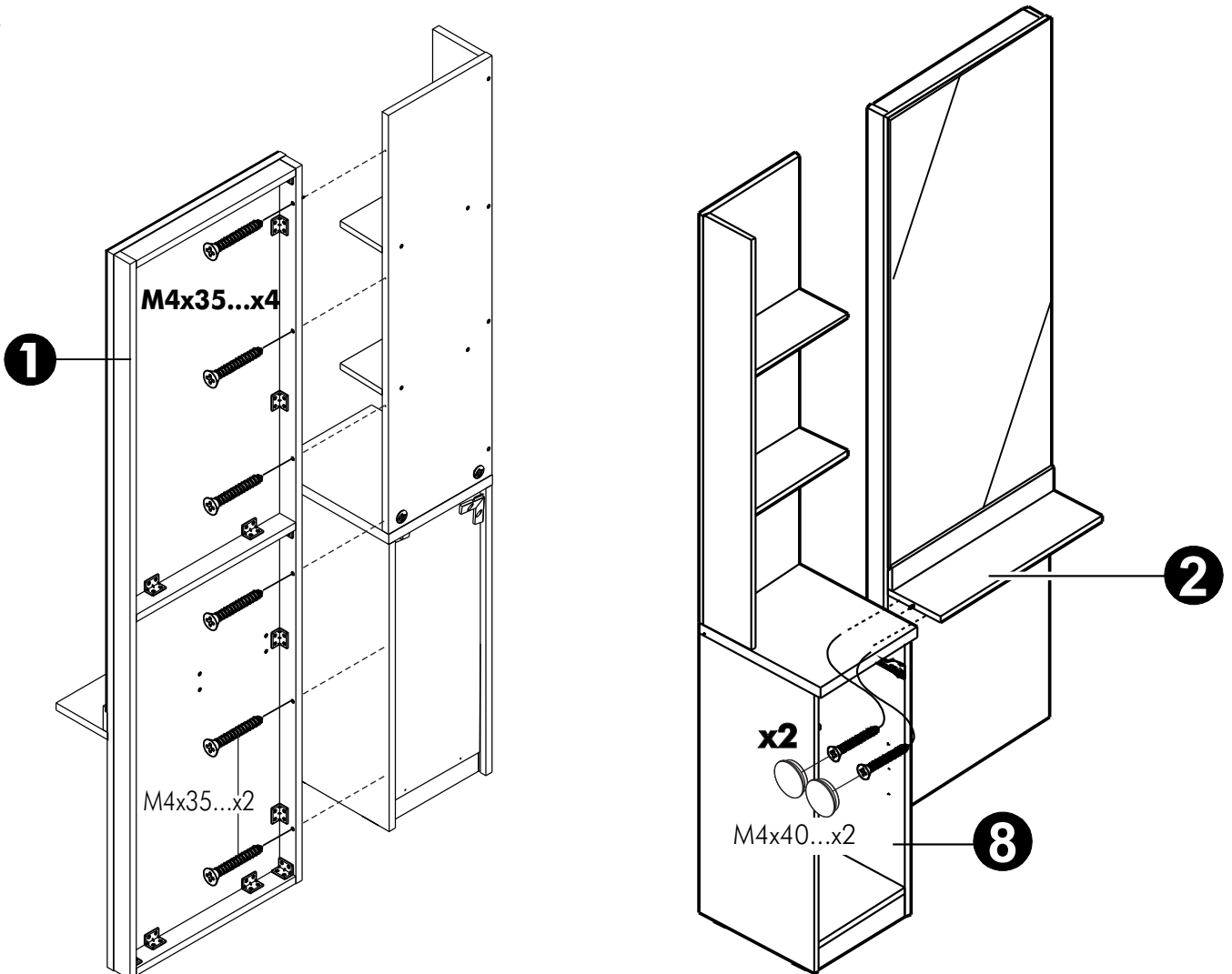
6.



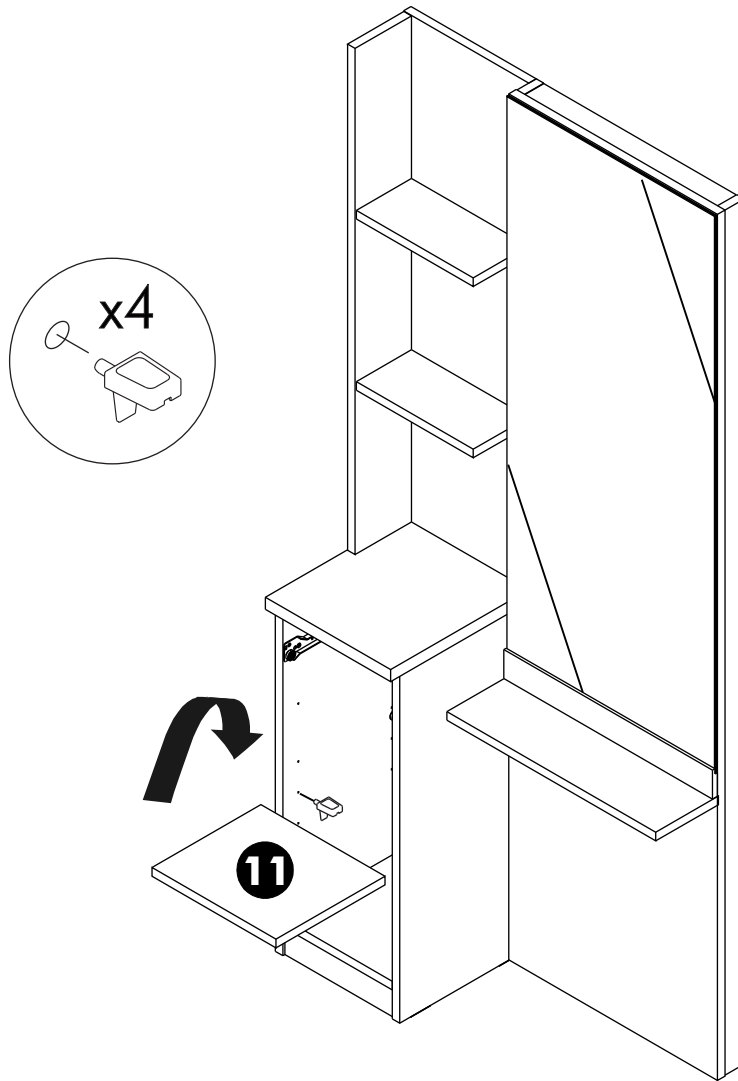
7.



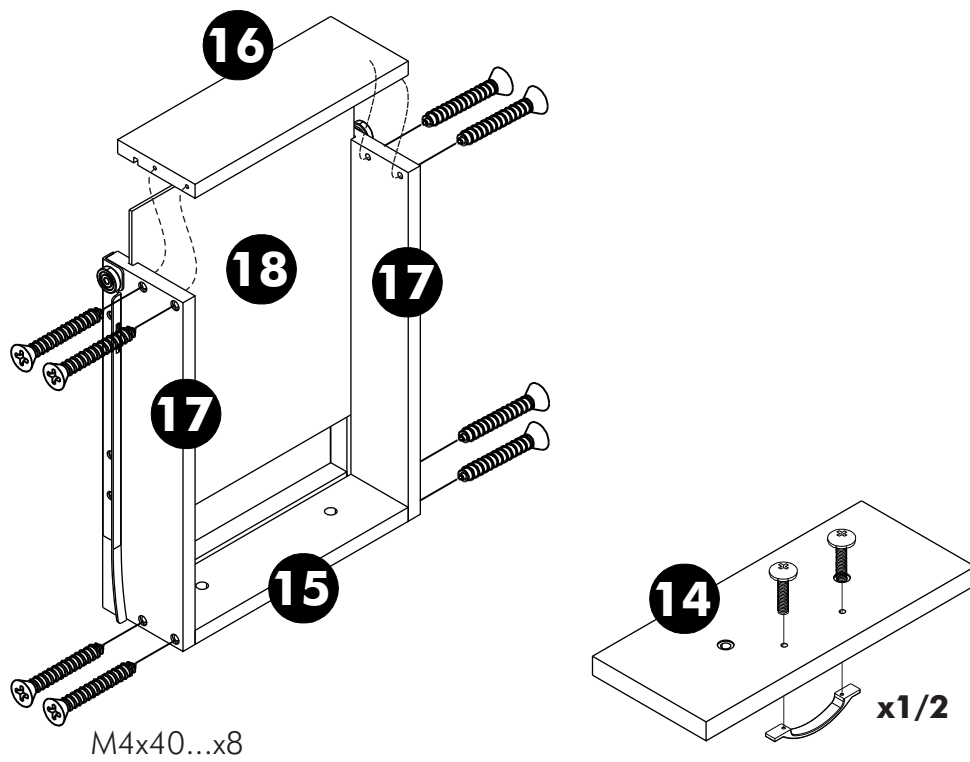
8.



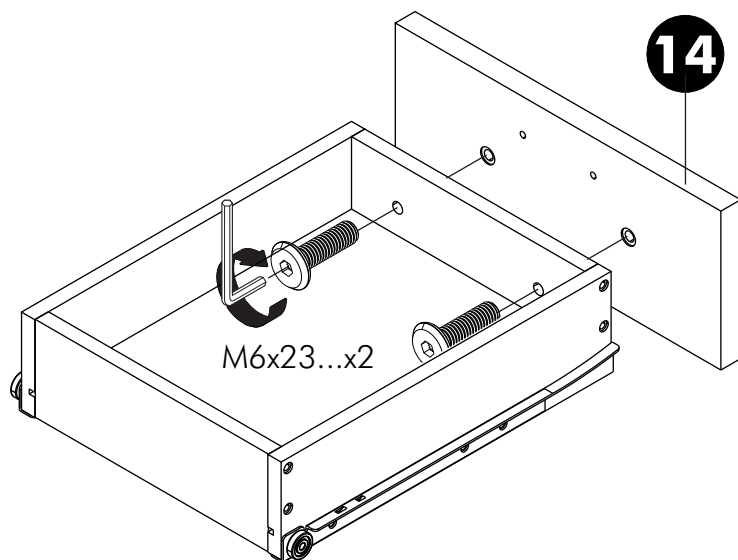
9.



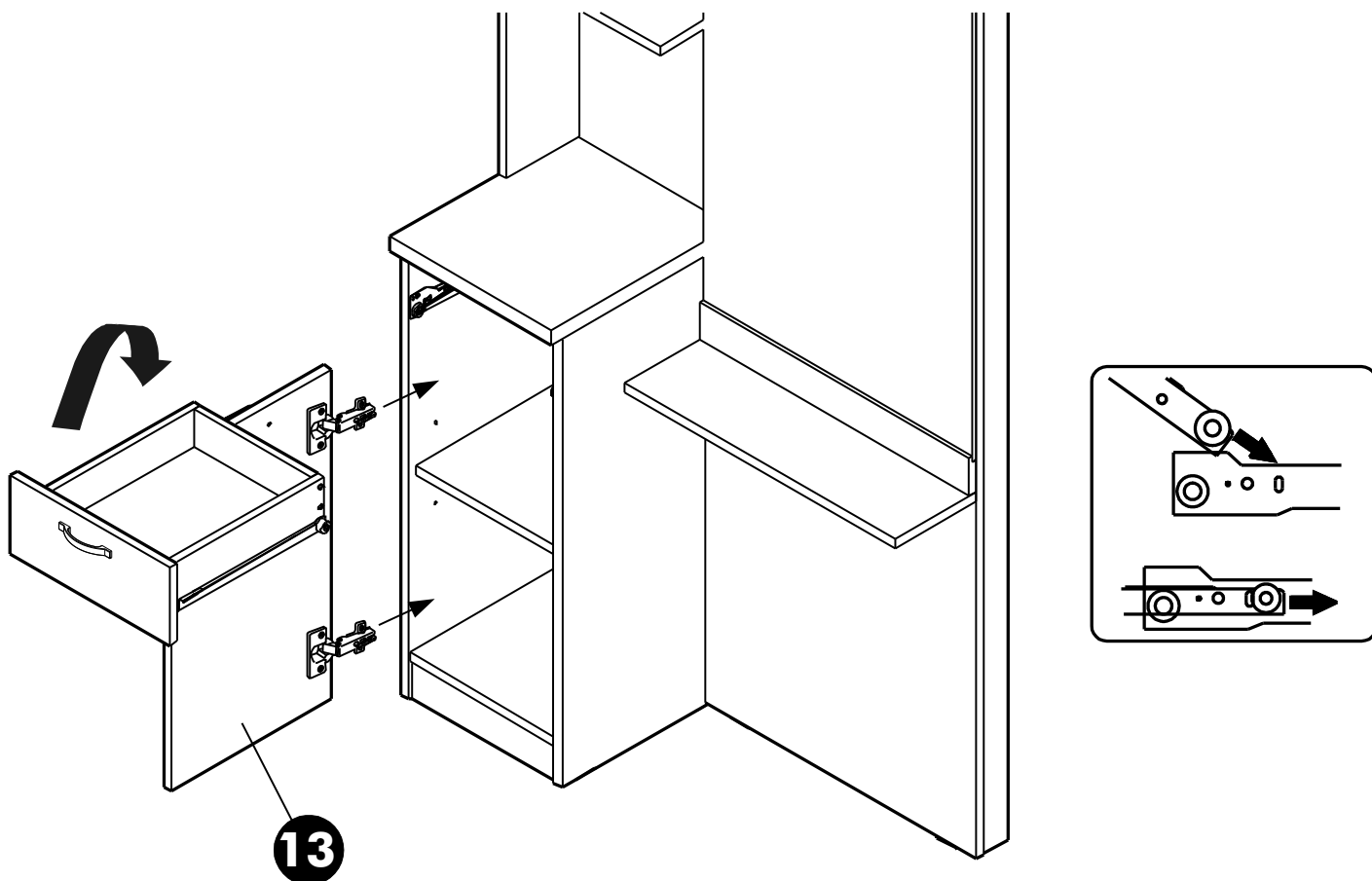
10.



11.



12.



13.

