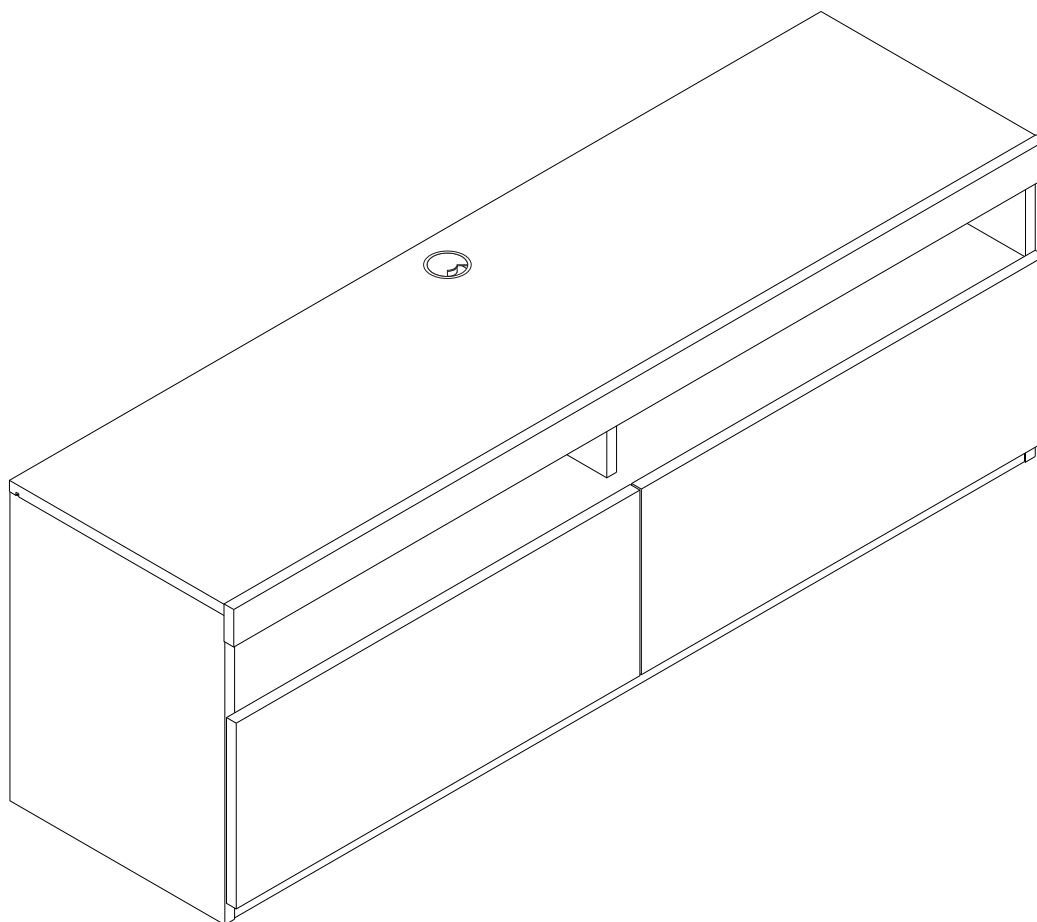
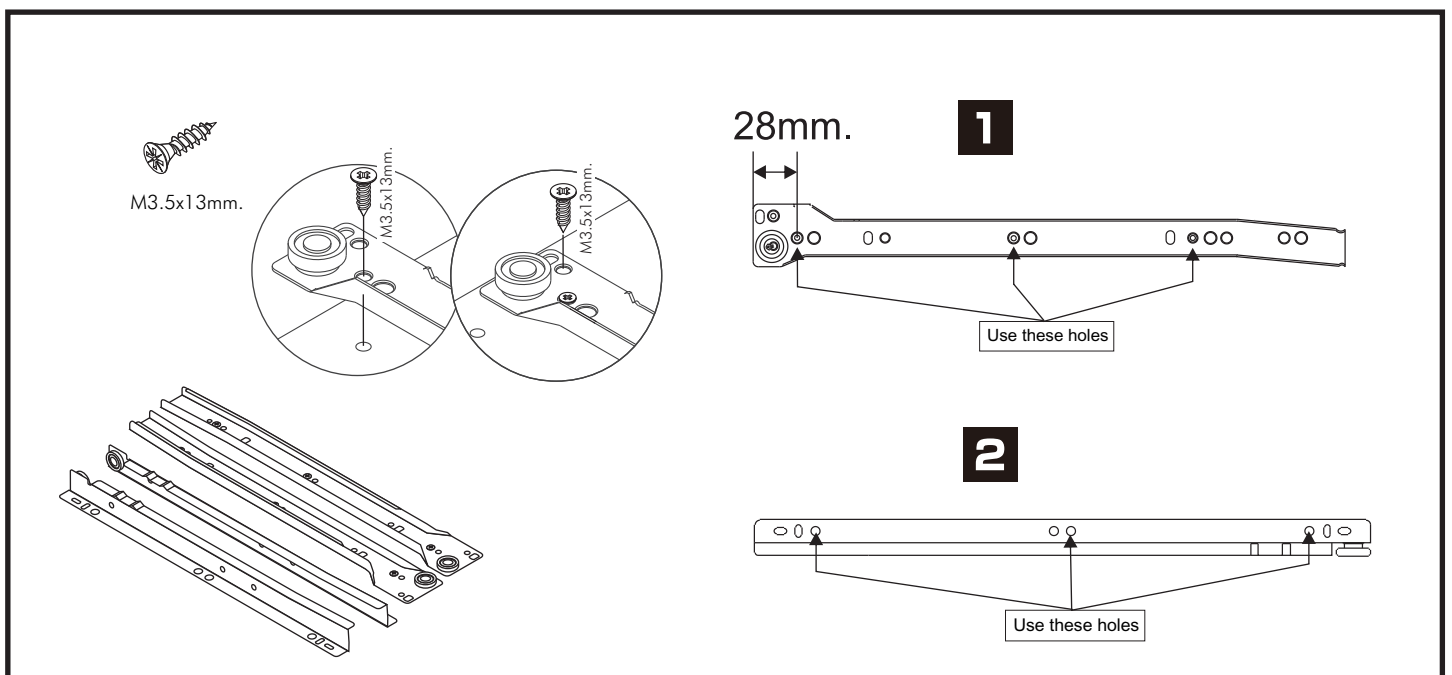
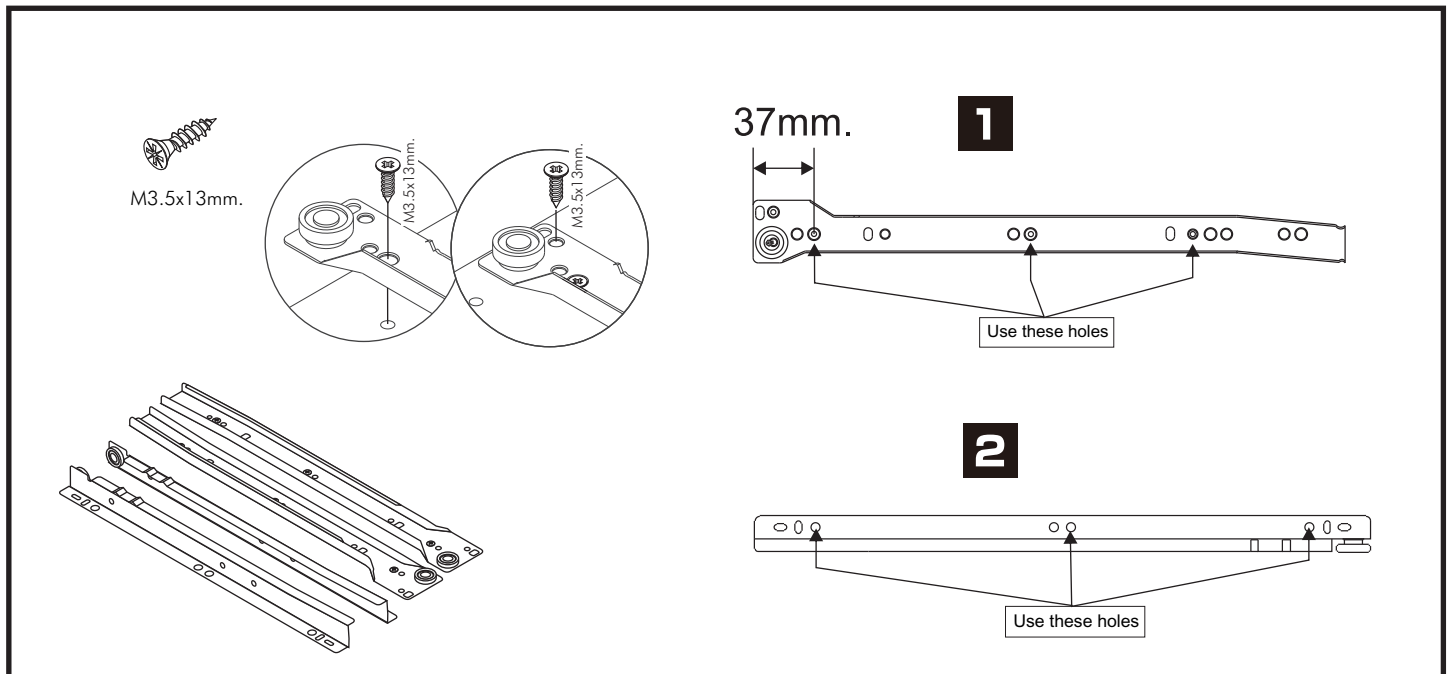
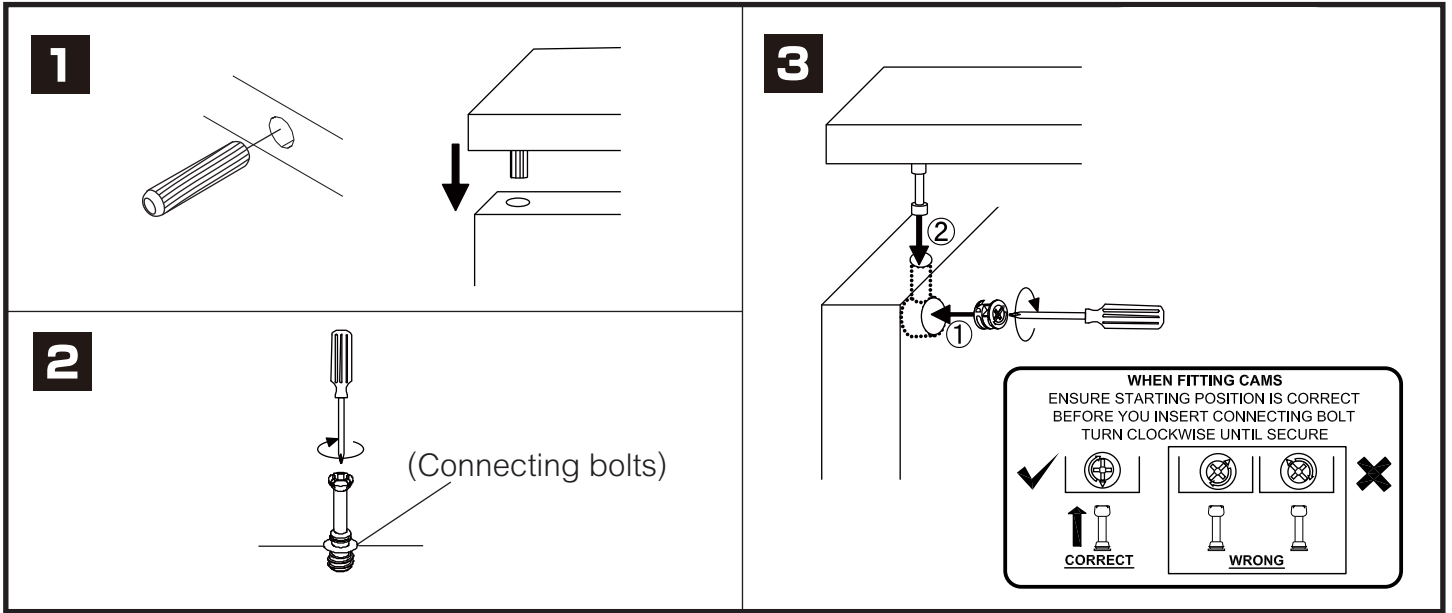


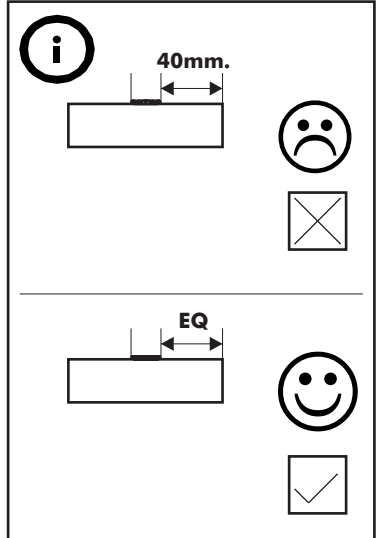
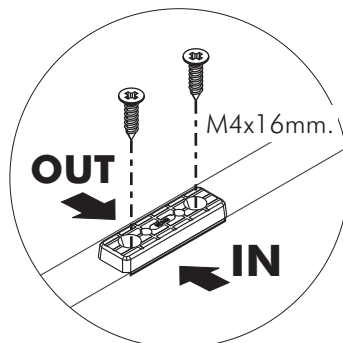
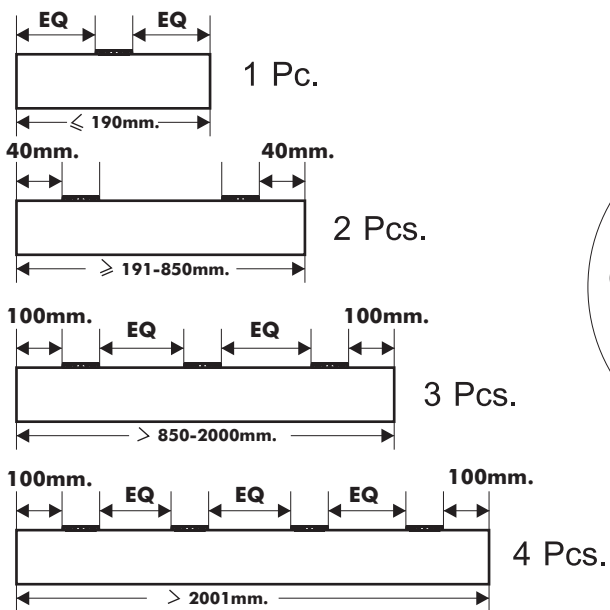
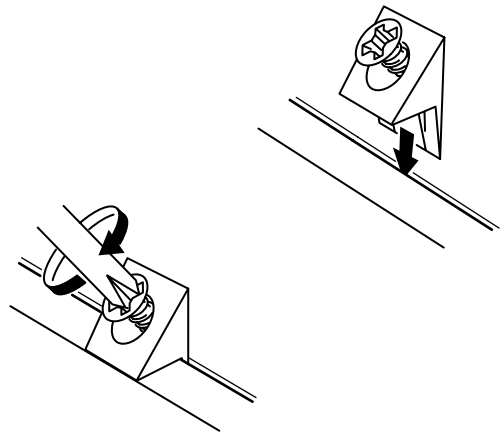
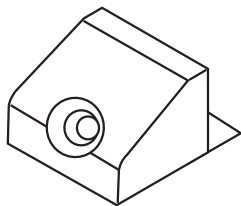
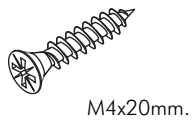
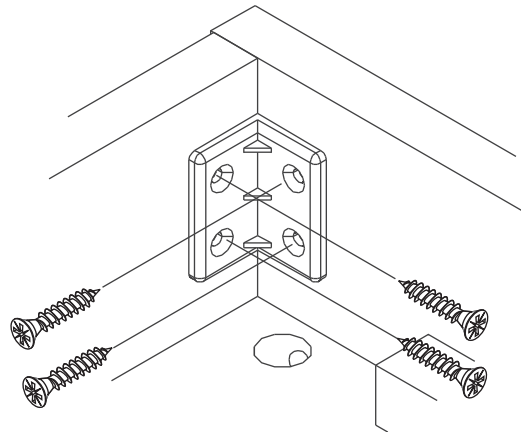
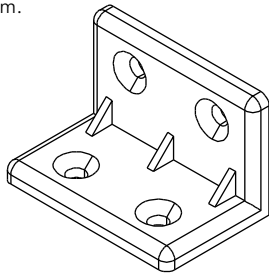
ORGANO

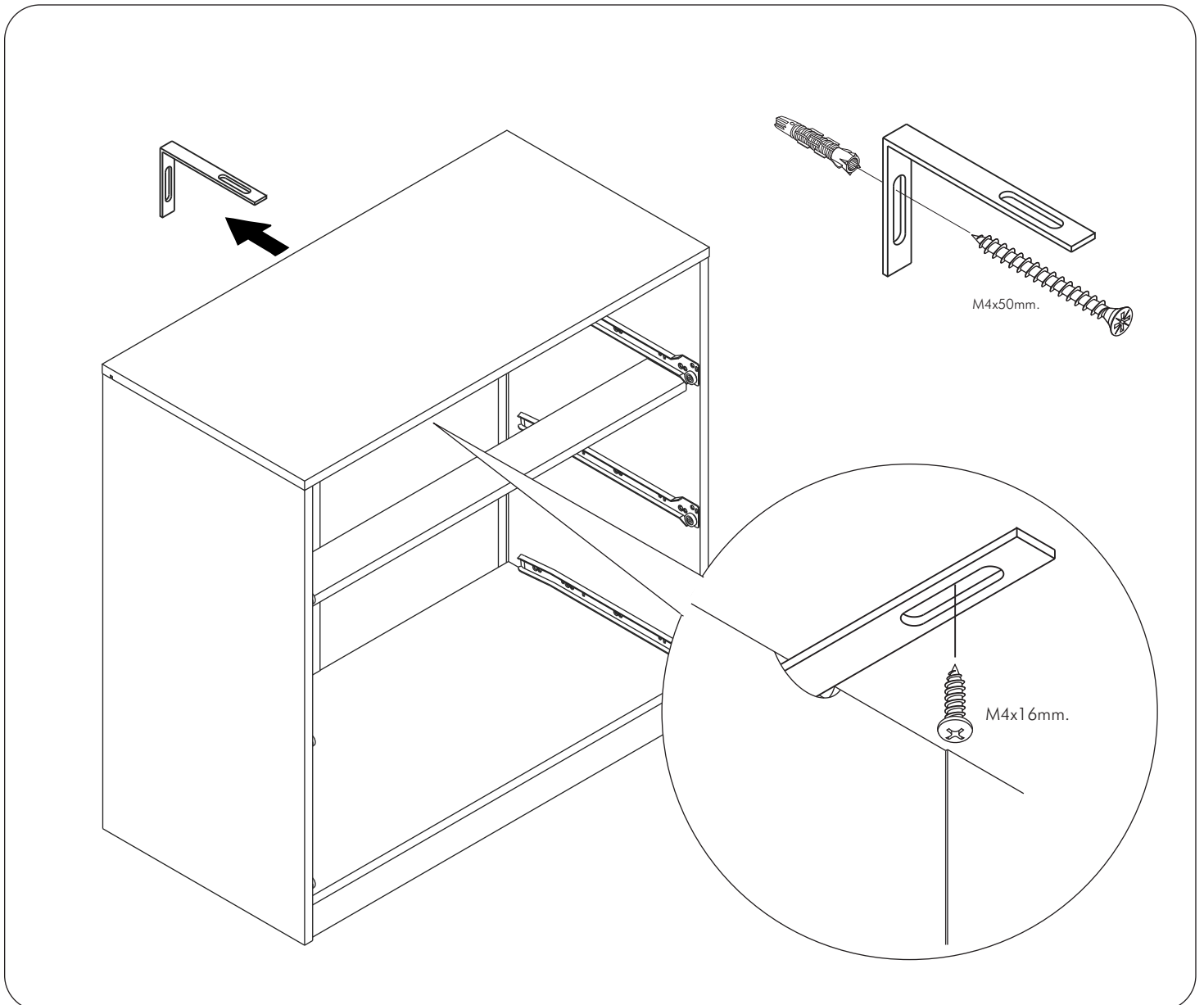
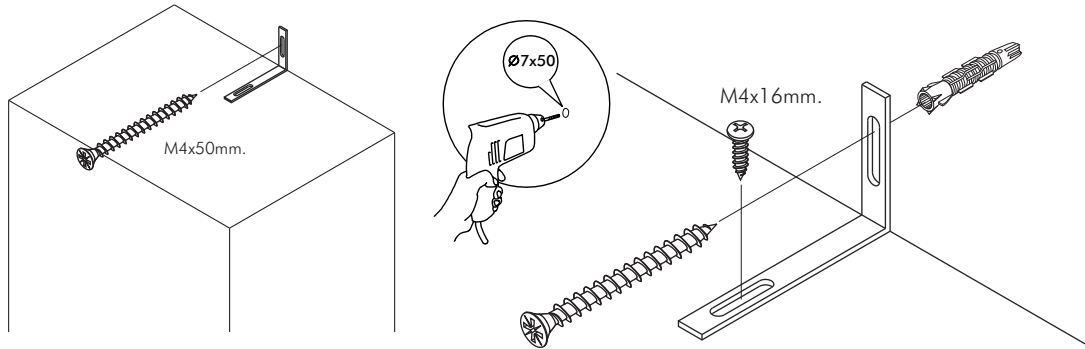
TV cabinet 150 cm.



CONNECT SYSTEM

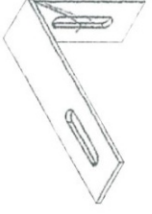




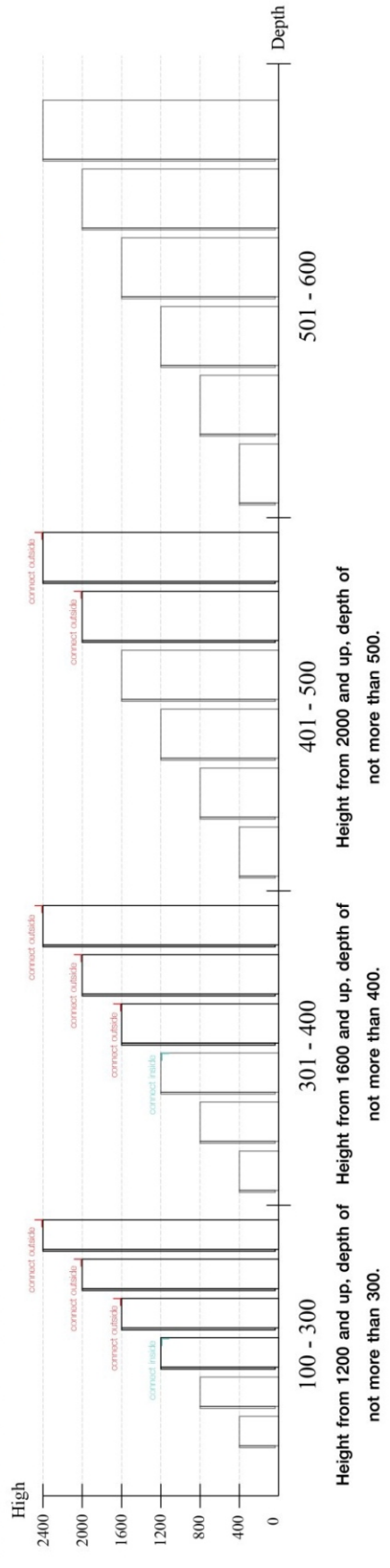


The Standard for identifying which mounted safety fall protection fitting to use **Note : That children's products must be installed with all anti-falling fittings.**

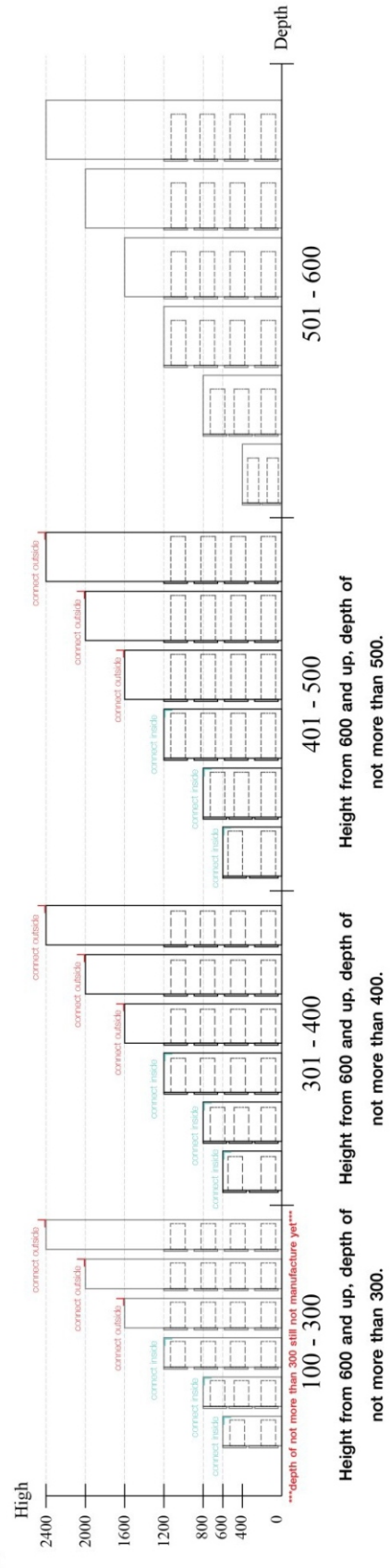
■ Mounted fall protection fittings



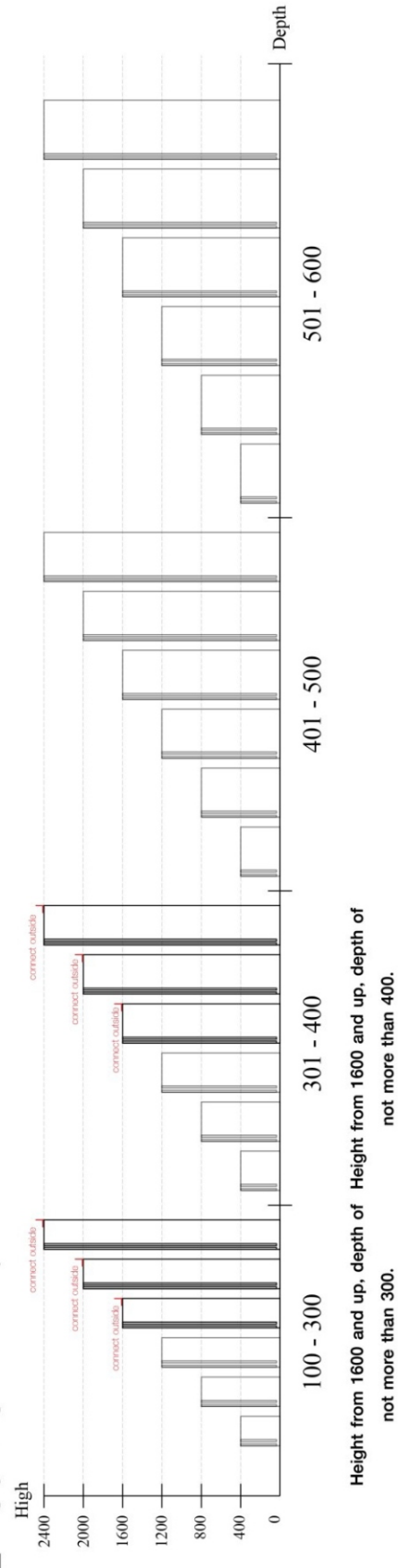
■ Category : Cabinet with open doors



■ Category : Chest of drawers

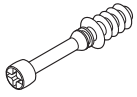


■ Category : Sliding door cabinet / Open cabinet



HARDWARE

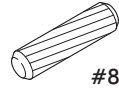
-BODY SET



x 15



x 15



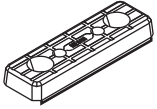
#8x35

x 22

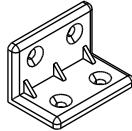


M4x16mm.

x 9



x 10

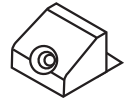


x 4



M4x16mm.

x 36

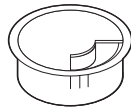


x 5

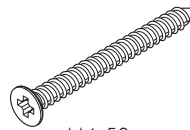


M4x20mm.

x 5



x 1

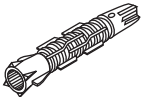


M4x50mm.

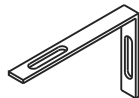
x 9



x 1

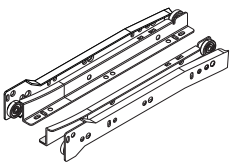


x 1

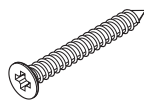


x 1

-DRAWER SET



x 2 Set



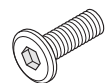
#M4x40

x 27



#M3.5x13

x 28



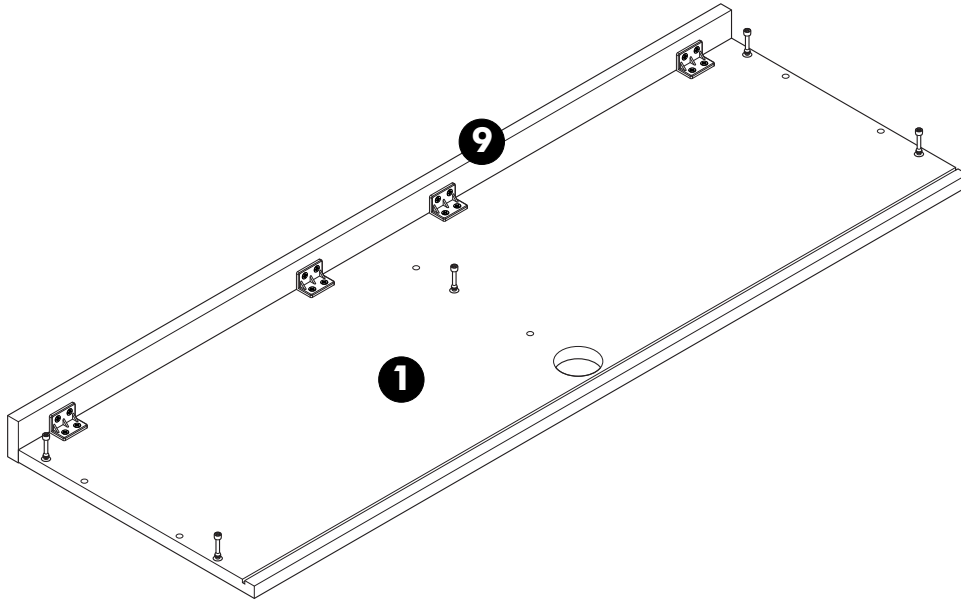
#TFL4 M6x23

x 10

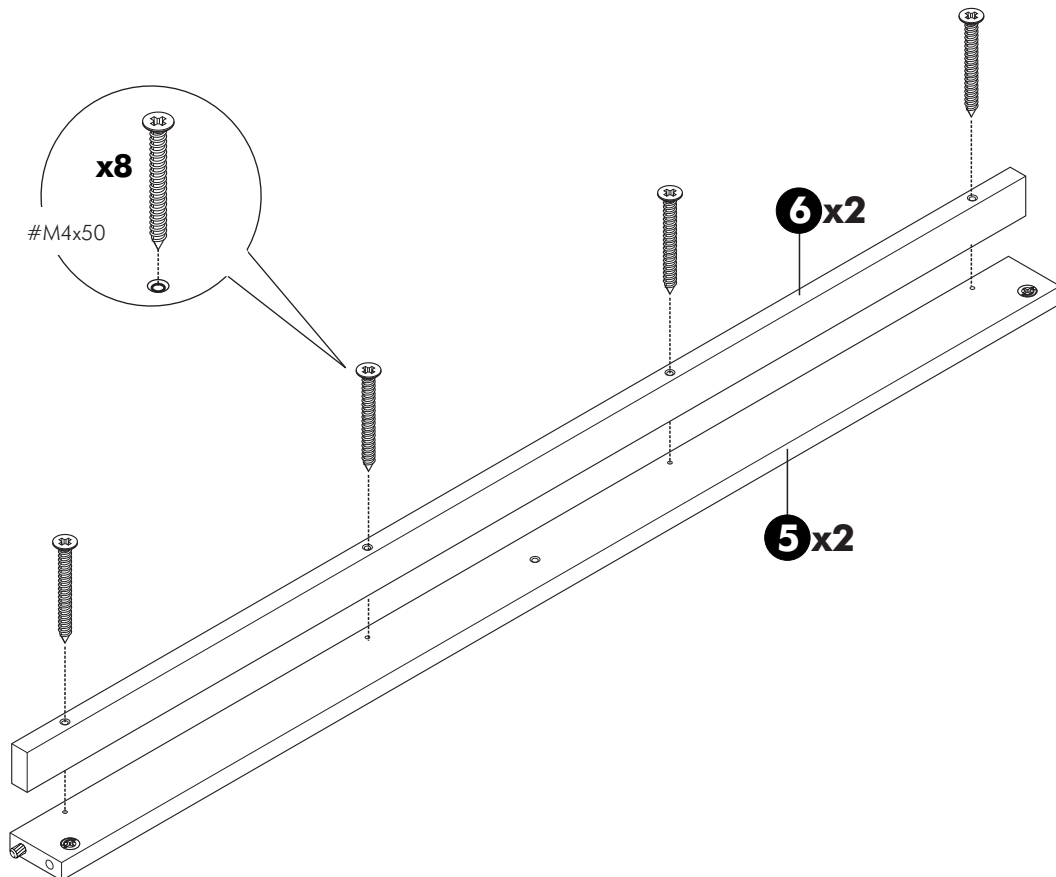
ASSEMBLY

-BODY SET

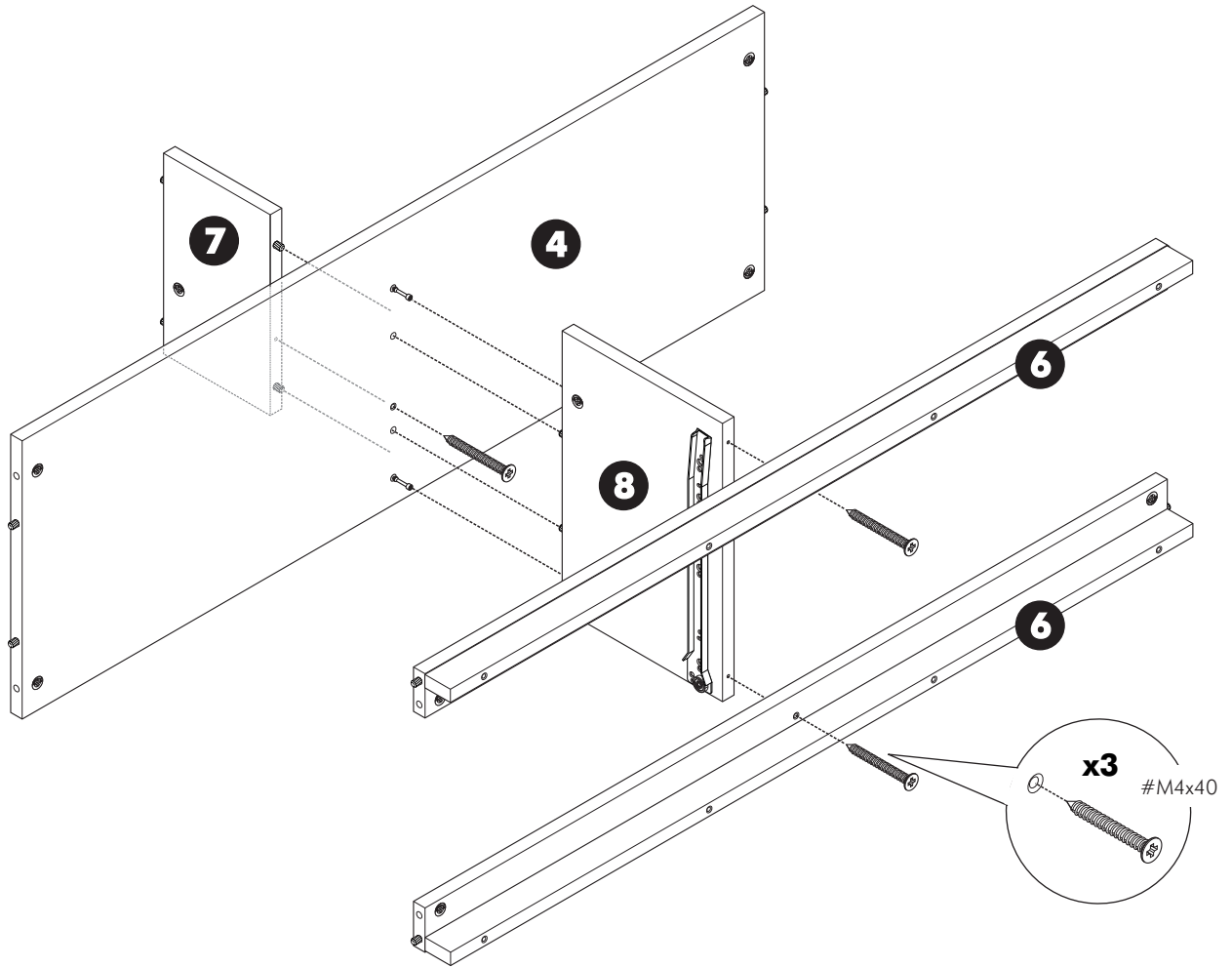
1.



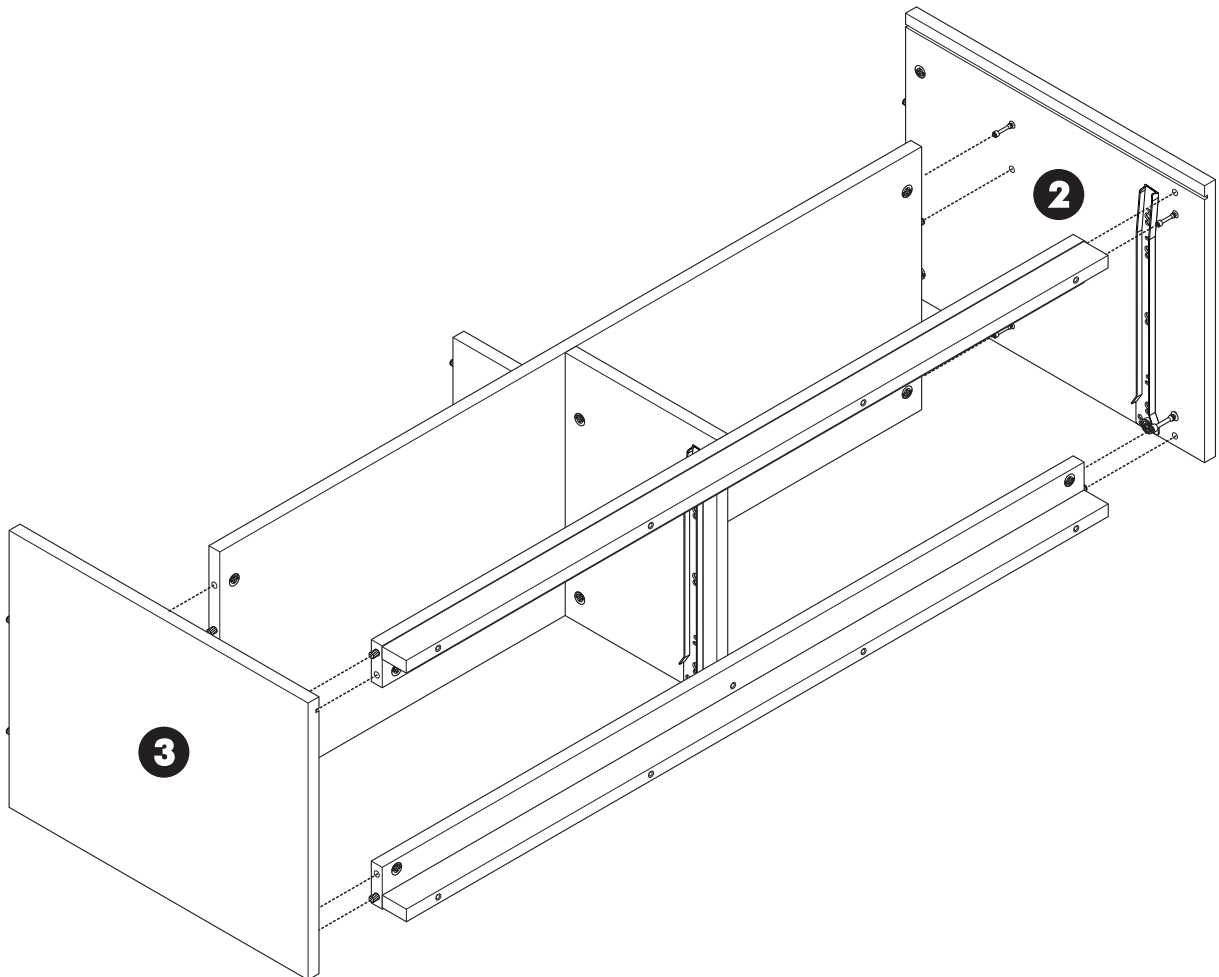
2.



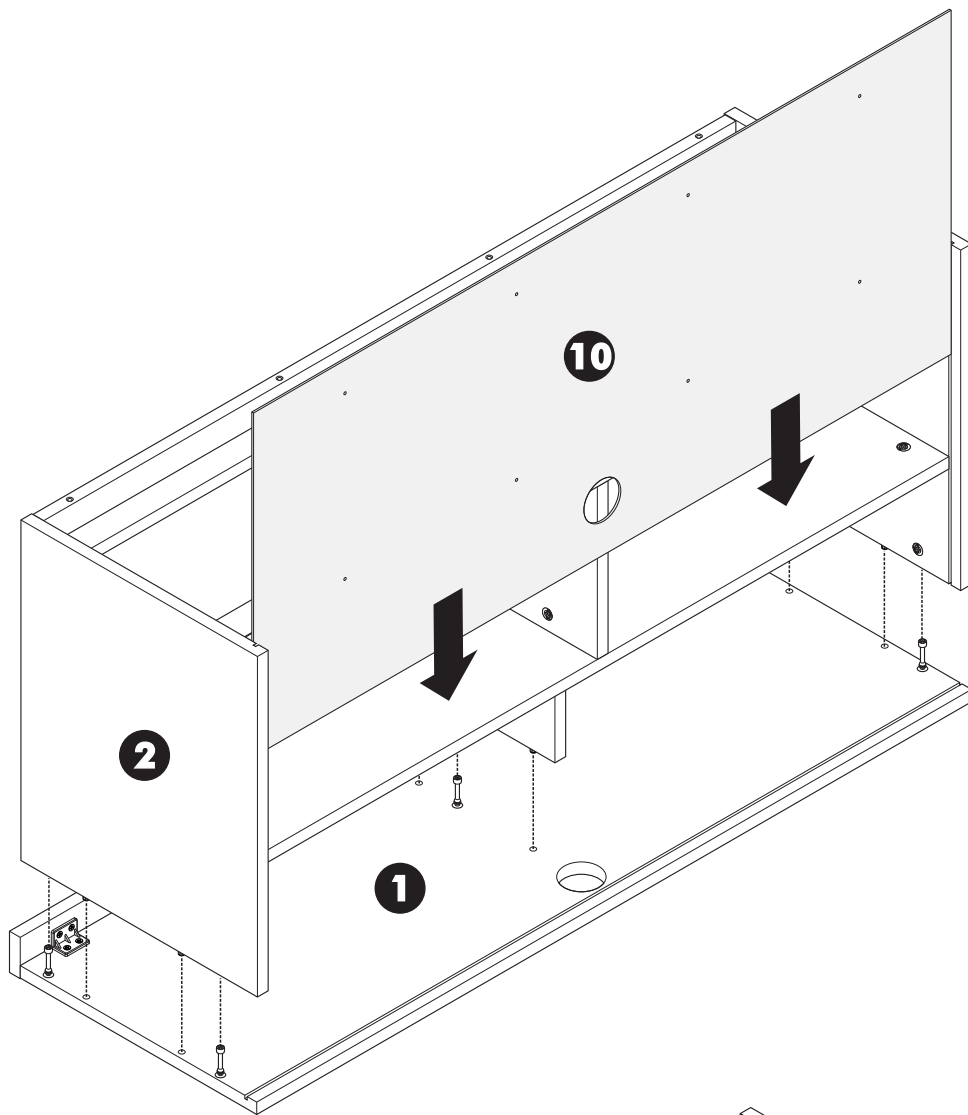
3.



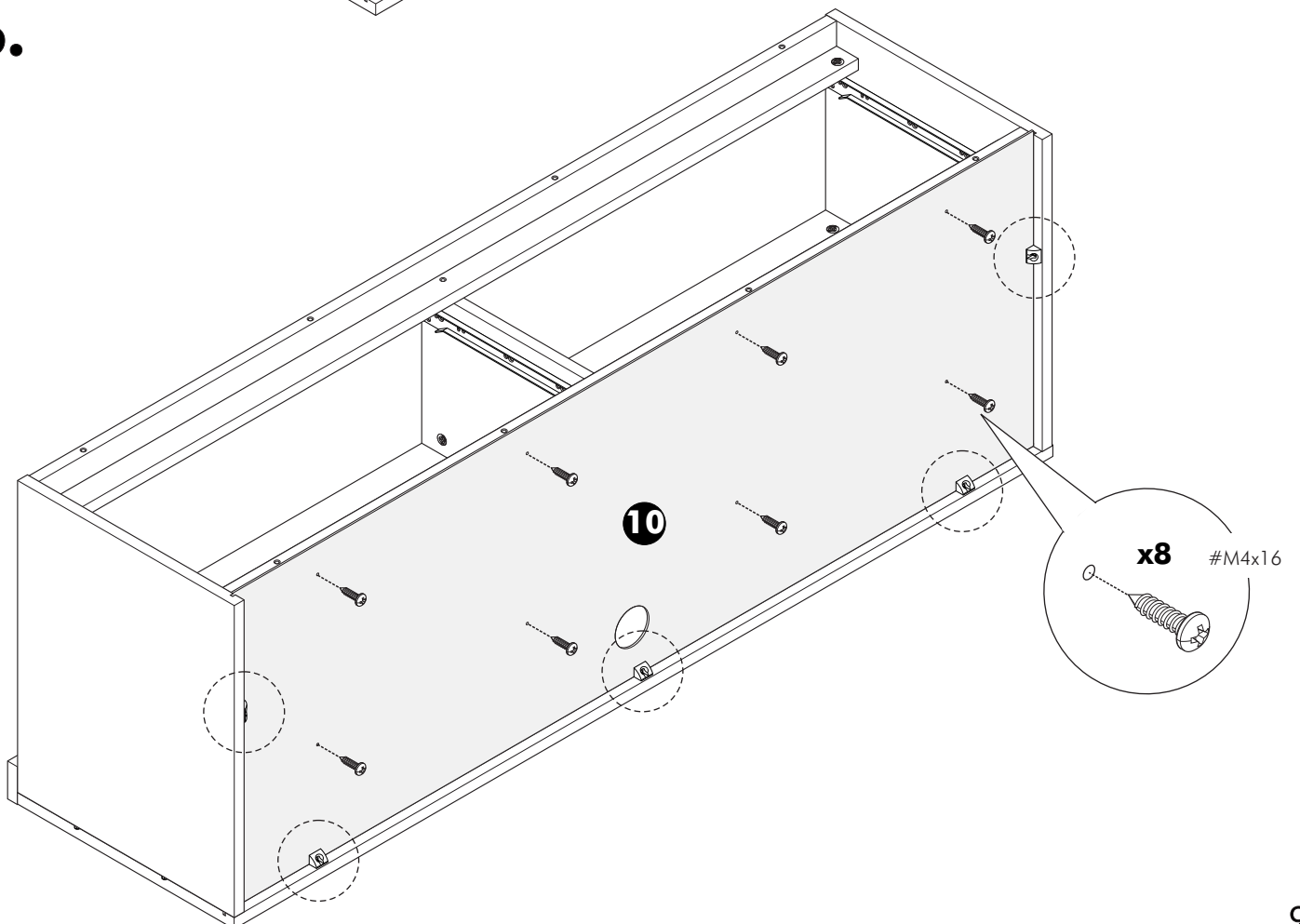
4.



5.

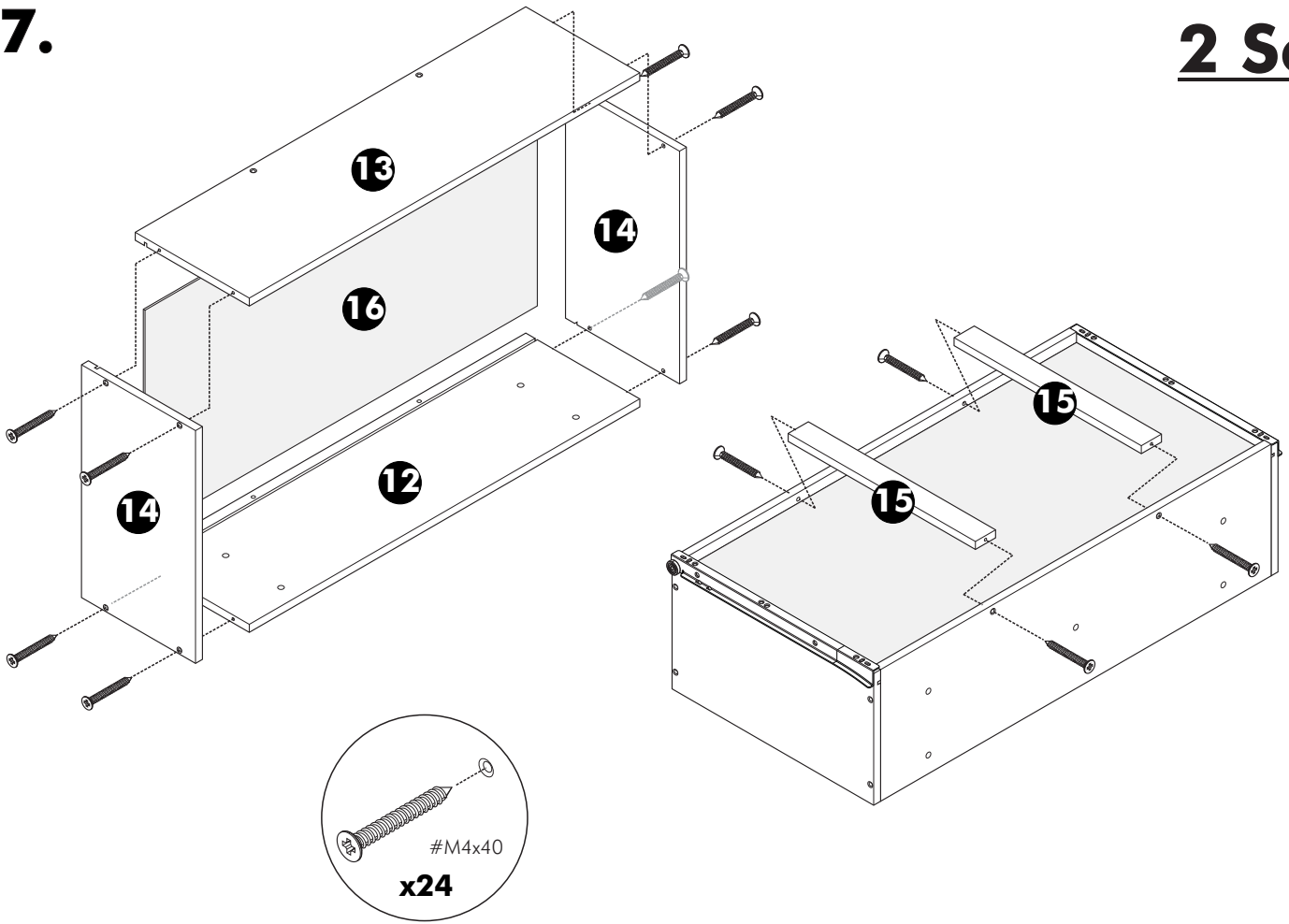


6.

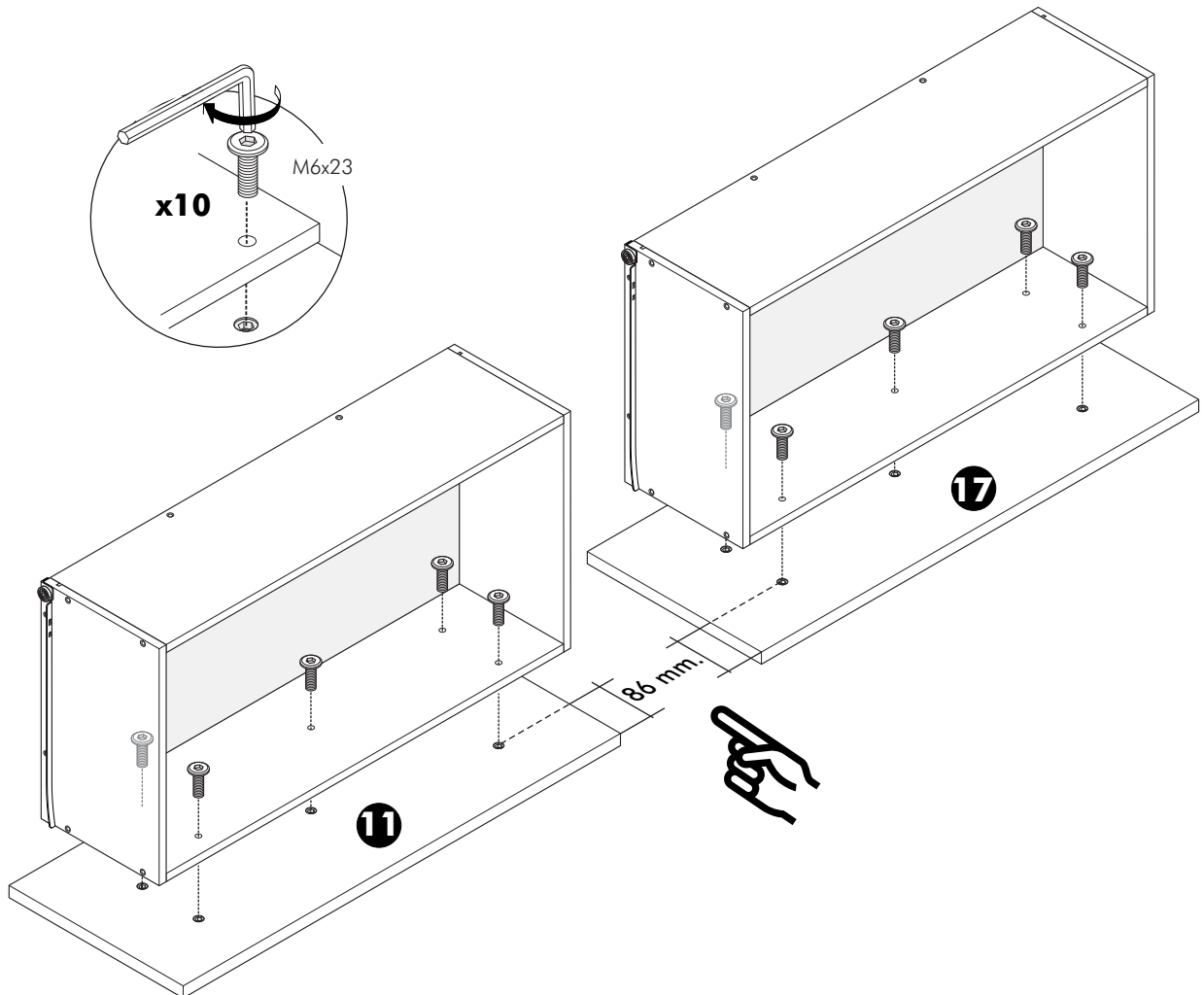


7.

2 Set



8.



10

9.

